

# Instruction Sheet

## Kit Number: 52007100

### FLAT IDLER KIT



**WARNING: FAILURE TO FOLLOW INSTRUCTIONS** could result in personal injury and/or damage to unit. Read, understand, and follow all safety practices in Owner/Operator Manual before beginning.

### Package Contents

Check the contents of your kit for the parts listed below. Also see Figure 1.

Item	Description	Qty	Ariens P/N
1	Flat Idler	1	07338500
2	Spacer	1	05501114

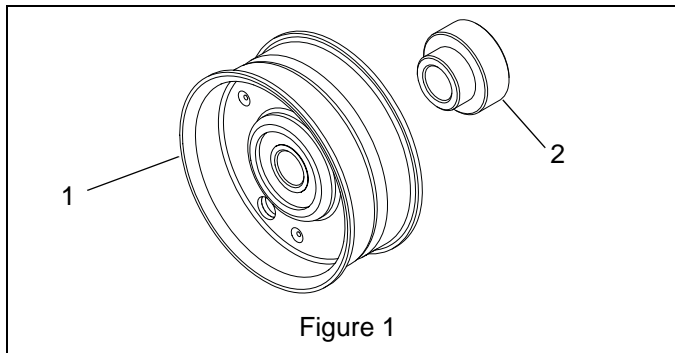


Figure 1

1. Stop engine and wait for all moving parts to stop and for hot parts to cool.
2. Remove key and disconnect spark plug wire.
3. Remove belt cover.
4. Disconnect idler arm spring from frame and idler arm. Retain spring.
5. Remove all parts shown on the left side of Figure 2. Discard parts indicated; retain other parts.
6. Install all parts as shown on the right side of Figure 2.

**IMPORTANT:** New spacer *must* be installed as shown in Figure 1.

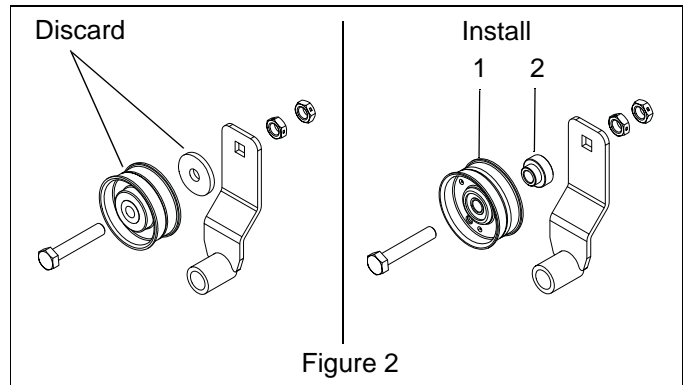


Figure 2

7. Reattach idler arm spring removed earlier.
8. Reinstall belt cover.
9. Connect spark plug wire and install key.