

Instruction Sheet

Kit Number: 72104400

LED DASH REPLACEMENT HEADLIGHT KIT

WARNING: FAILURE TO FOLLOW INSTRUCTIONS could result in personal injury and/or damage to unit. Read, understand, and follow all safety practices in Operator's Manual before beginning.

Package Contents

Check the contents of your kit for the parts listed below Also see Figure 1.

Item	Description	Qty	AriensCo P/N
1	LED Headlight Assembly	1	09382600
2	LED Light Jumper Harness	1	09424800
3	#10-16 x 3/4" Hex Washer Head Screw	2	07002217

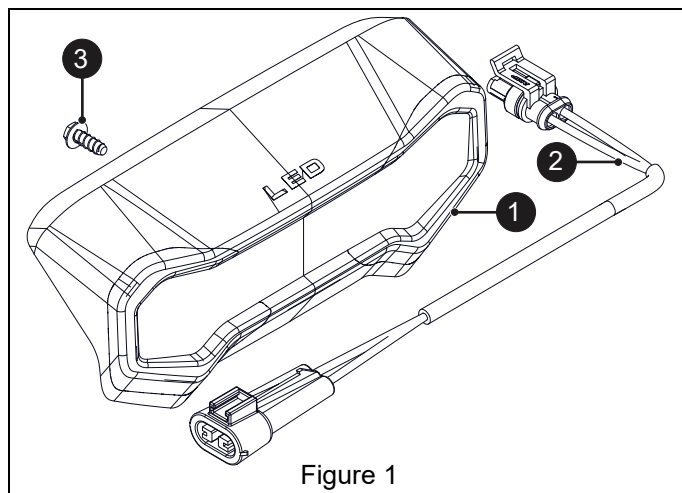


Figure 1

NOTICE: Replacement headlight kit fits both small and large dashboard Sno-Thro models.

- Small dashboard installation shown; large dashboard installation similar.

REMOVAL

1. Stop unit and remove key.
 2. Wait for all moving parts to stop and for hot parts to cool.
- See Figure 2.
3. Disconnect wire harness connector from back of headlight.
 4. Remove and discard two screws retaining headlight assembly and remove and discard headlight assembly.

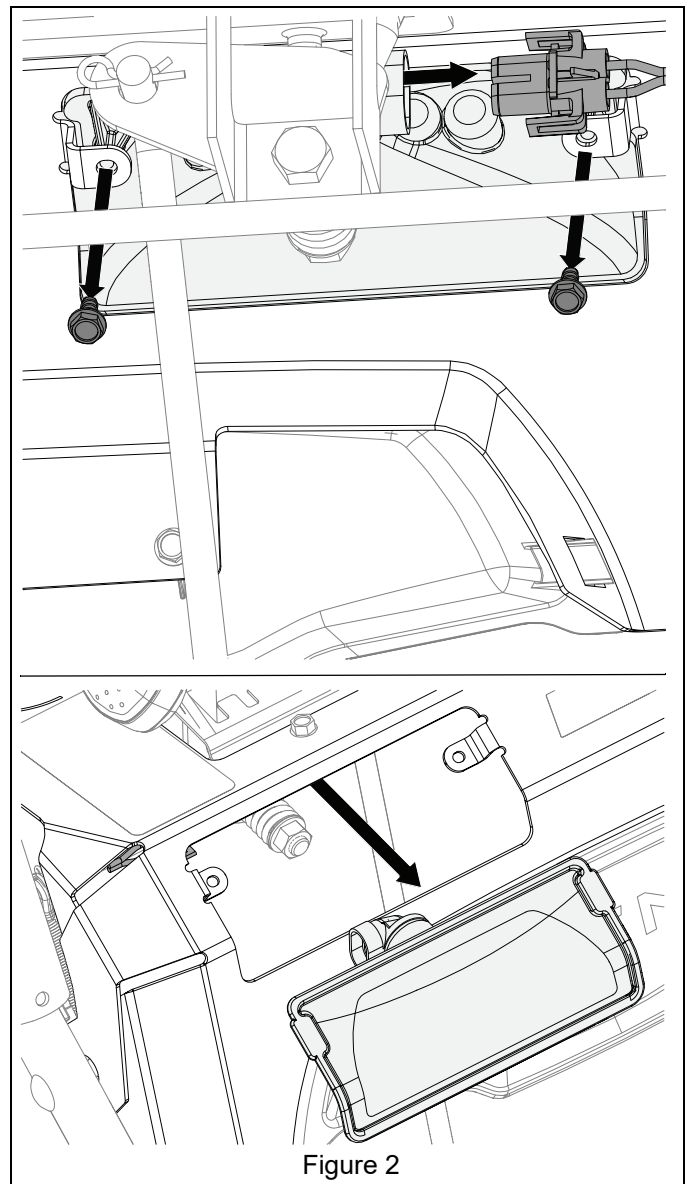
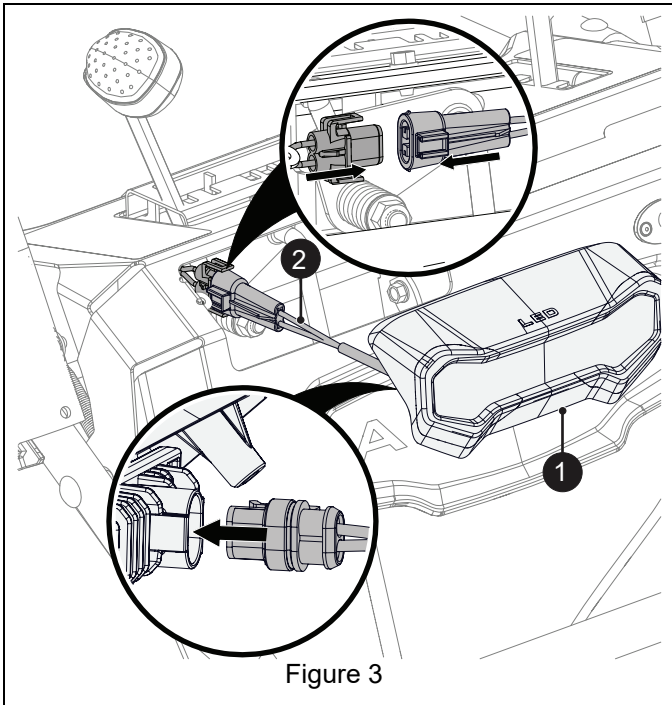


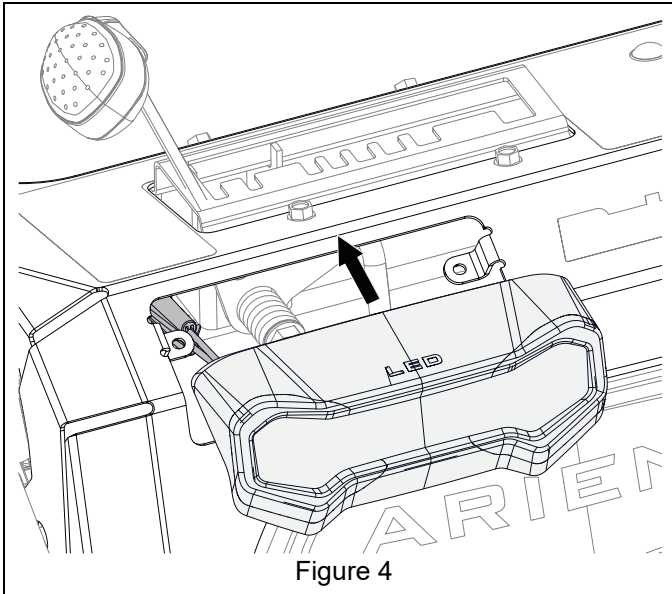
Figure 2

INSTALLATION

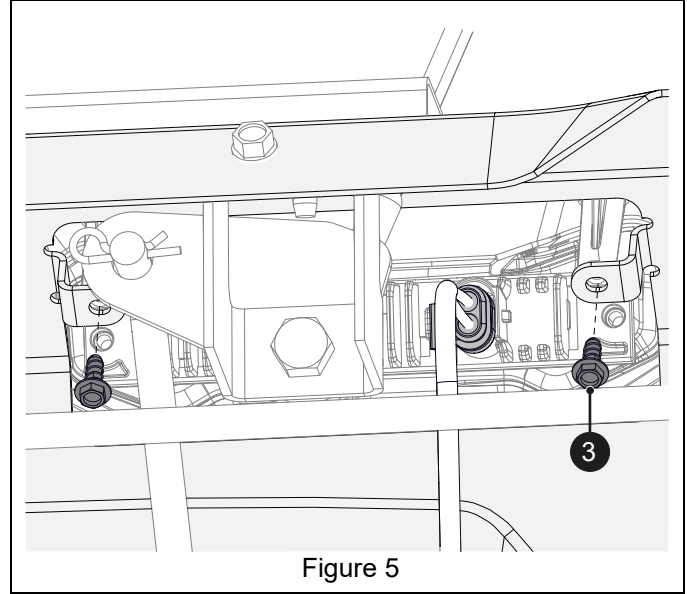
1. Connect jumper harness (item 2) to back of LED headlight assembly (item 1). Position assembly at control panel opening and connect jumper harness to main harness. See Figure 3.



2. Install light and harness into control panel. See Figure 4.



3. Secure light assembly to control panel using two #10 x 3/4" hex washer head screws (item 3). DO NOT overtighten. See Figure 5.



4. Ensure that harness is routed so that it does not interfere with any controls.