



INSTRUCTION SHEET 07121

Part #: 9258, 9259, 9260, 9261, 9262,
9281, 9282, 9286, 9287, 9288
Description: Mulch Plate
Date: 1/25/2006

Instructions for Installing the Mulch Plate

- Note-

This Mulch Plate is for use on machines with serial number of 891xxxx and higher

1. Prepare the machine so there is easy and safe access to the work area. Remove the ignition key and disconnect the spark plug wires. Maintain all safety related work procedures. Always wear eye and hand protection when working near cutter blades.
2. Block the rear wheels and apply the parking brake. Lift the front of the machine for easy and safe access to the bottom of the cutter deck.

 **WARNING:**

Always wear proper hand and eye protection when working near cutter blades.

3. Remove the existing Turbo Baffle from the discharge side and the Discharge Chute from the cutter deck. Retain the mounting hardware, discharge baffle, and discharge chute for reinstallation when the mulch kit is removed.

 **WARNING:**

Do Not Operate Without Discharge Chute, Mulch Plate, or Entire Grass Catcher Installed.

4. Install the Mulch Plate baffle to the cutter deck using the hardware provided. See Figure 1, Page 2.
5. Tighten all hardware on Mulch Plate baffle.
6. Test machine for proper operation.
7. When the Mulch Plate is removed, the Side Discharge Chute and Turbo Baffle must be reinstalled before operation.

Description: Mulch Plate
Part #: 9258, 9259, 9260, 9261, 9262,
9281, 9282, 9286, 9287, 9288

INSTRUCTION SHEET 07121

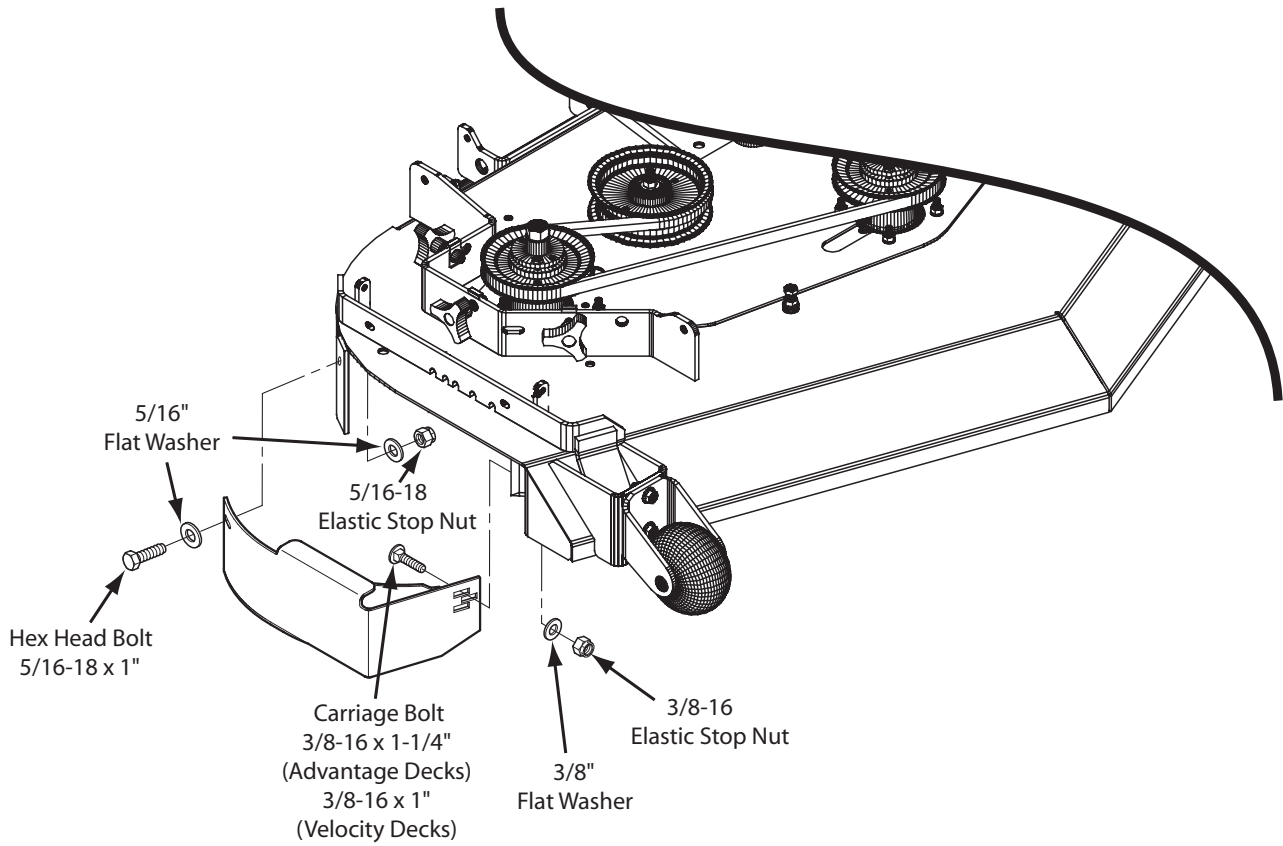


Figure 1. Mulch Plate Installation