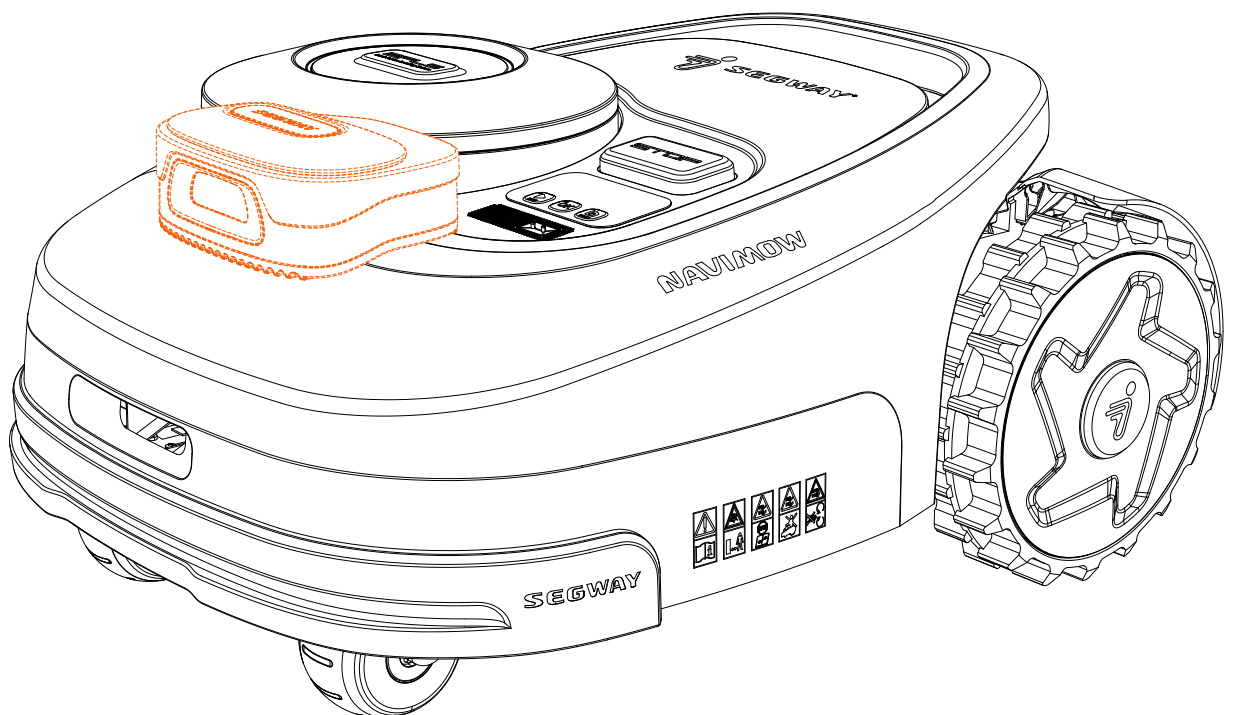




Segway Navimow H Series

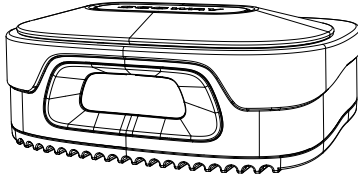
SPARE PARTS **V2024**

The dotted line shows an VisionFence sensor, which is only installed on the H3000E-VF machine by default.



Choose Life Without Boundaries

1^a



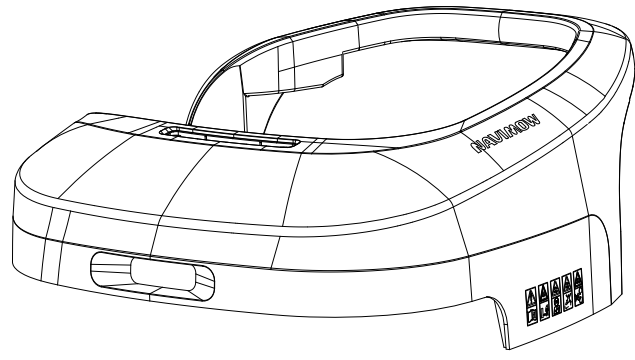
1^b



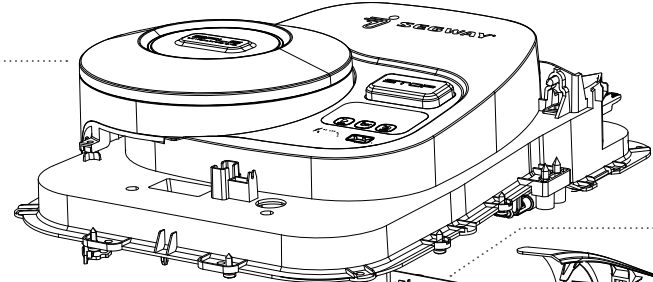
1^c



3



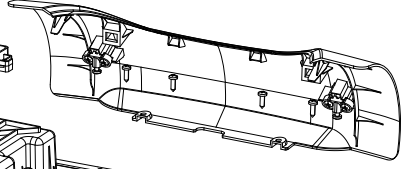
4



5



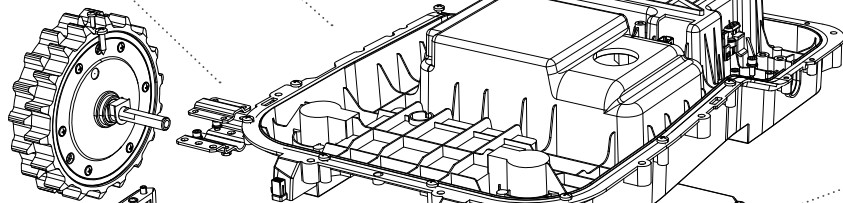
6



16

15

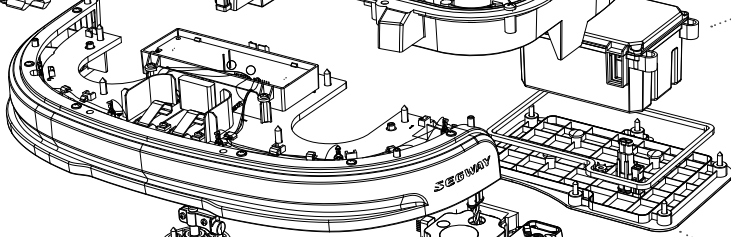
7



14

6

8

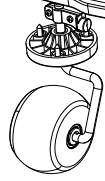


7

13

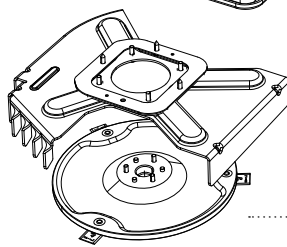
12

9

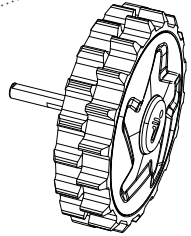


9

10

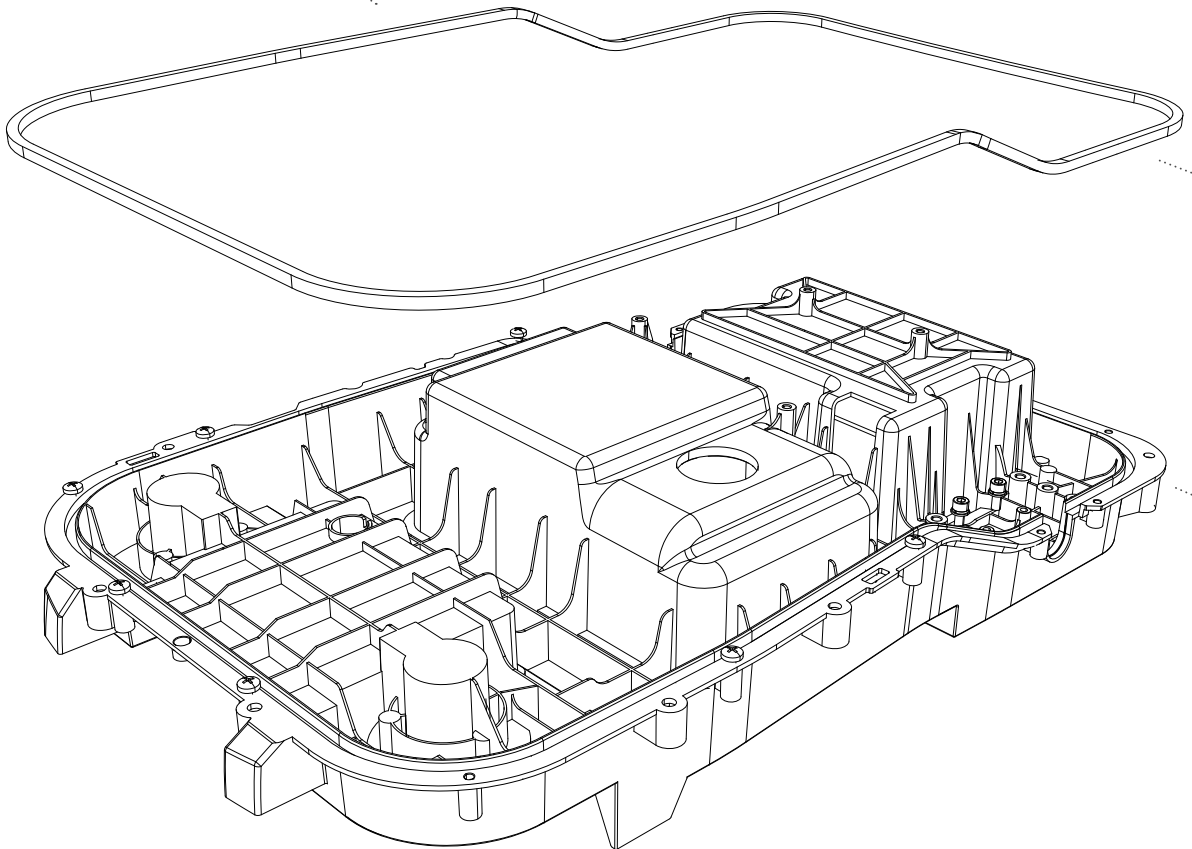


11



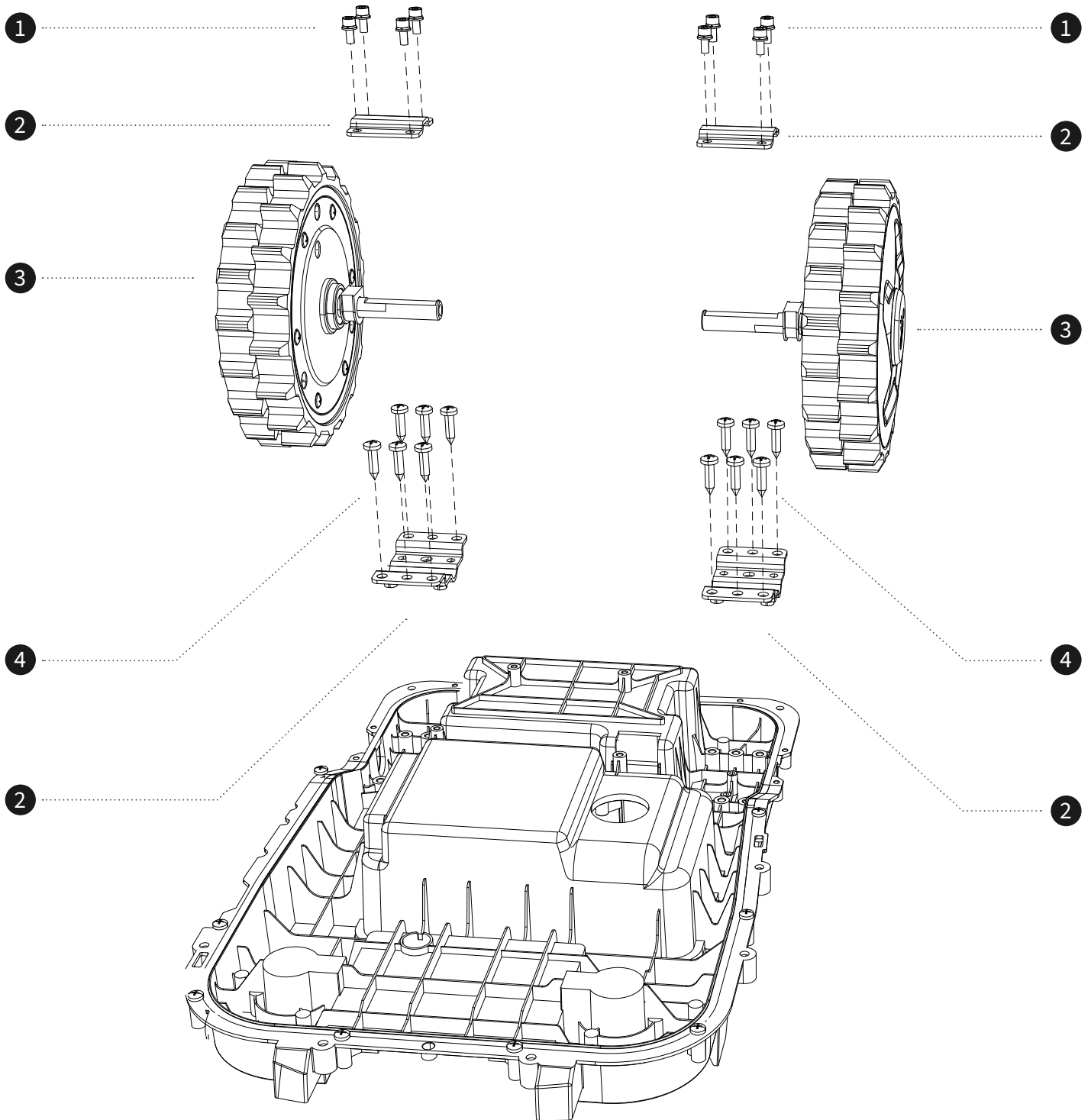
No.	PN	Description	Notes
1 ^a	AD.12.00.14.0031	VisionFence sensor	The VisionFence sensor can only be ordered as an accessory, not as a spare part. Installed on the H3000E-VF machine by default.
1 ^b	AC.00.0000.02	Ultrasonic sensor	The Ultrasonic sensor can only be ordered as an accessory, not as a spare part. Installed on the H3000E machine by default.
1 ^c	AB.50.0017.00	Ultrasonic mounting cover	
3	AB.12.01.00.0189	Outer shell	
4	AB.12.01.00.0198	Top shell assembly-H500E	
	AB.12.01.00.0197	Top shell assembly-H800E	
	AB.12.01.00.0196	Top shell assembly-H1500E/H3000E	
5	AB.50.0016.69	Chassis assembly	
6	AB.50.0016.70	Hub motor cushion - press block	
7	AB.50.0016.74	Hub motor assembly, H500E/H800E	
	AB.50.0016.75	Hub motor assembly, H1500E/H3000E	
8	AB.12.01.00.0205	Bumper assembly	Including Patrol board
9	AB.12.01.00.0199	Universal wheel assembly	
10	AB.12.01.00.0190	Blade fender	
11	AB.12.01.00.0191	Blade disc	
12	AB.50.0016.73	Mowing module assembly	
13	AB.50.0039.14	Battery cover	
14	AB.12.01.00.0233	Battery pack H500E/H800E	
	AB.12.01.00.0234	Battery pack H1500E	
	AB.12.01.00.0235	Battery pack H3000E	
15	AB.50.0017.03	Fender	
16	AB.12.01.00.0200	Drive board assembly	

1

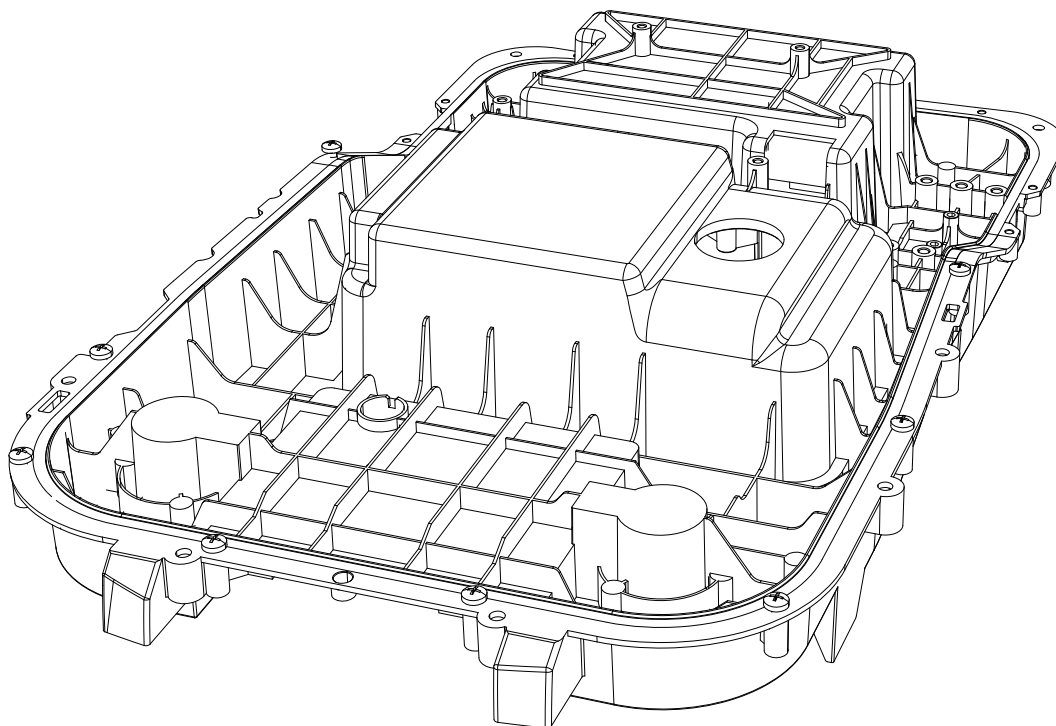
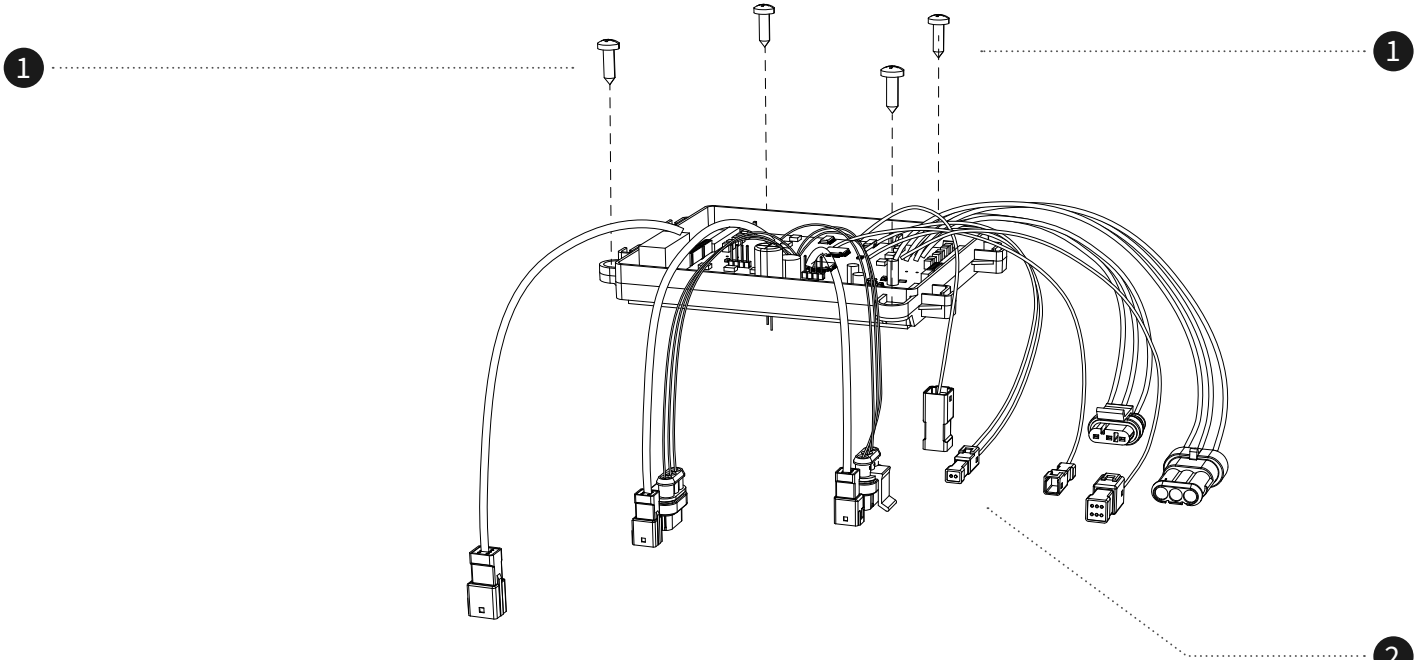


2

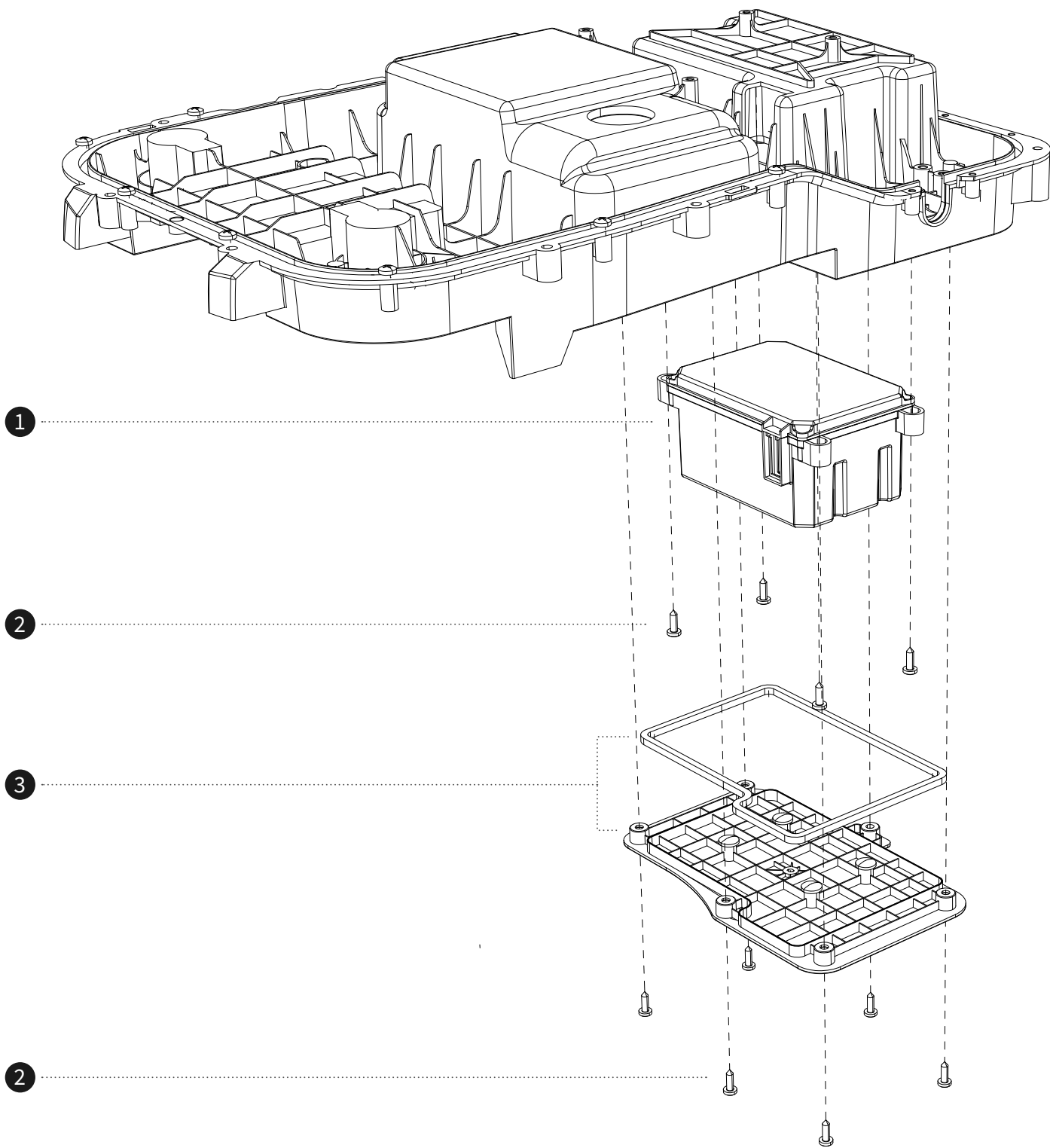
No.	PN	Description	Quantity	Notes
1	AB.50.0016.77	Chassis seal strip	1	
2	AB.50.0016.69	Chassis assembly	1	



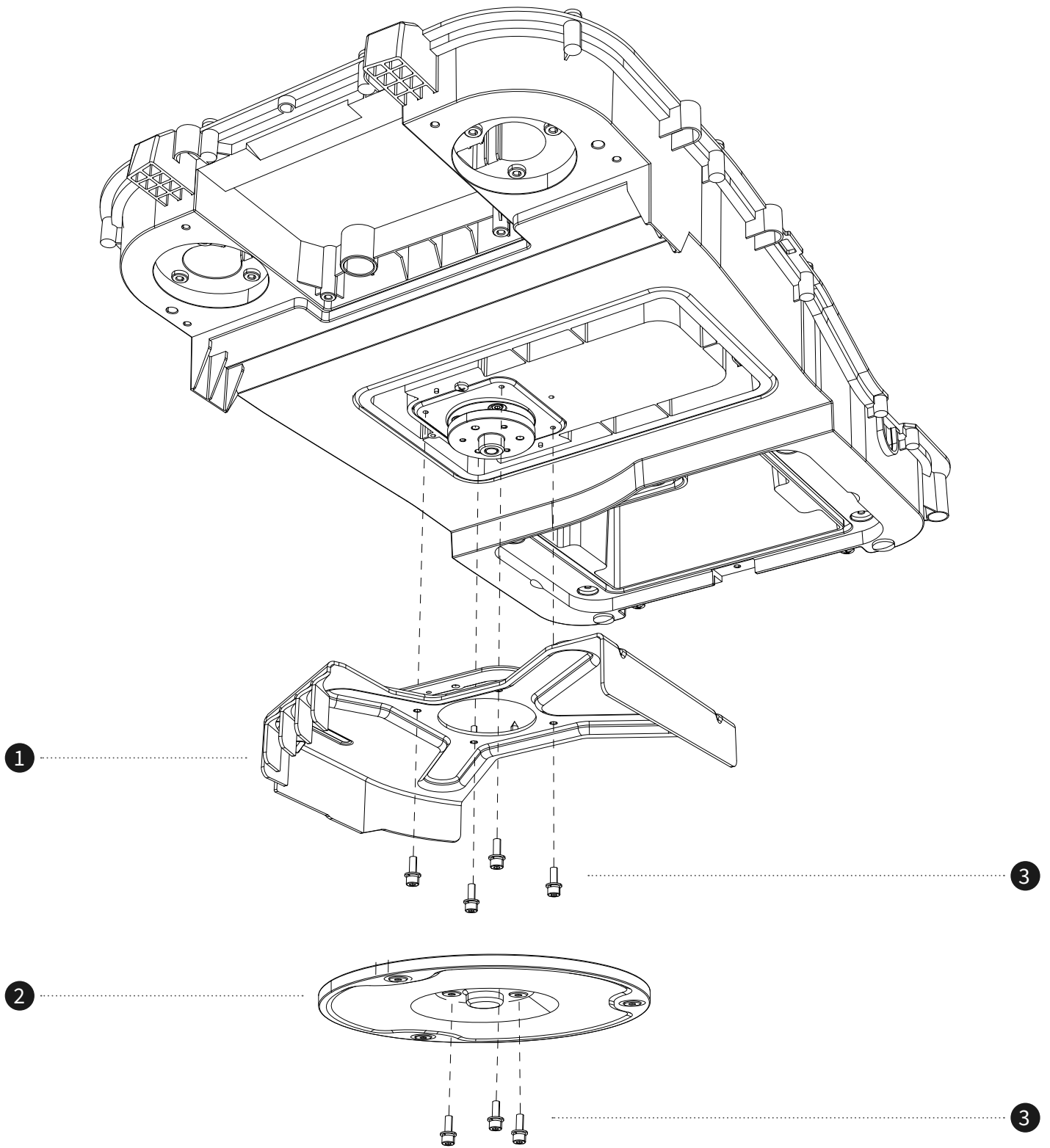
No.	PN	Description	Quantity	Notes
1	AB.50.0017.43	Screw-M5x12 socket cap	8	
2	AB.50.0016.70	Hub motor cushion - press block	2	
3	AB.50.0016.74	Hub motor assembly, H500E/H800E	2	
	AB.50.0016.75	Hub motor assembly, H1500E/H3000E	2	
4	AB.50.0017.42	Screw-ST6.3X25 cross-shaped	12	



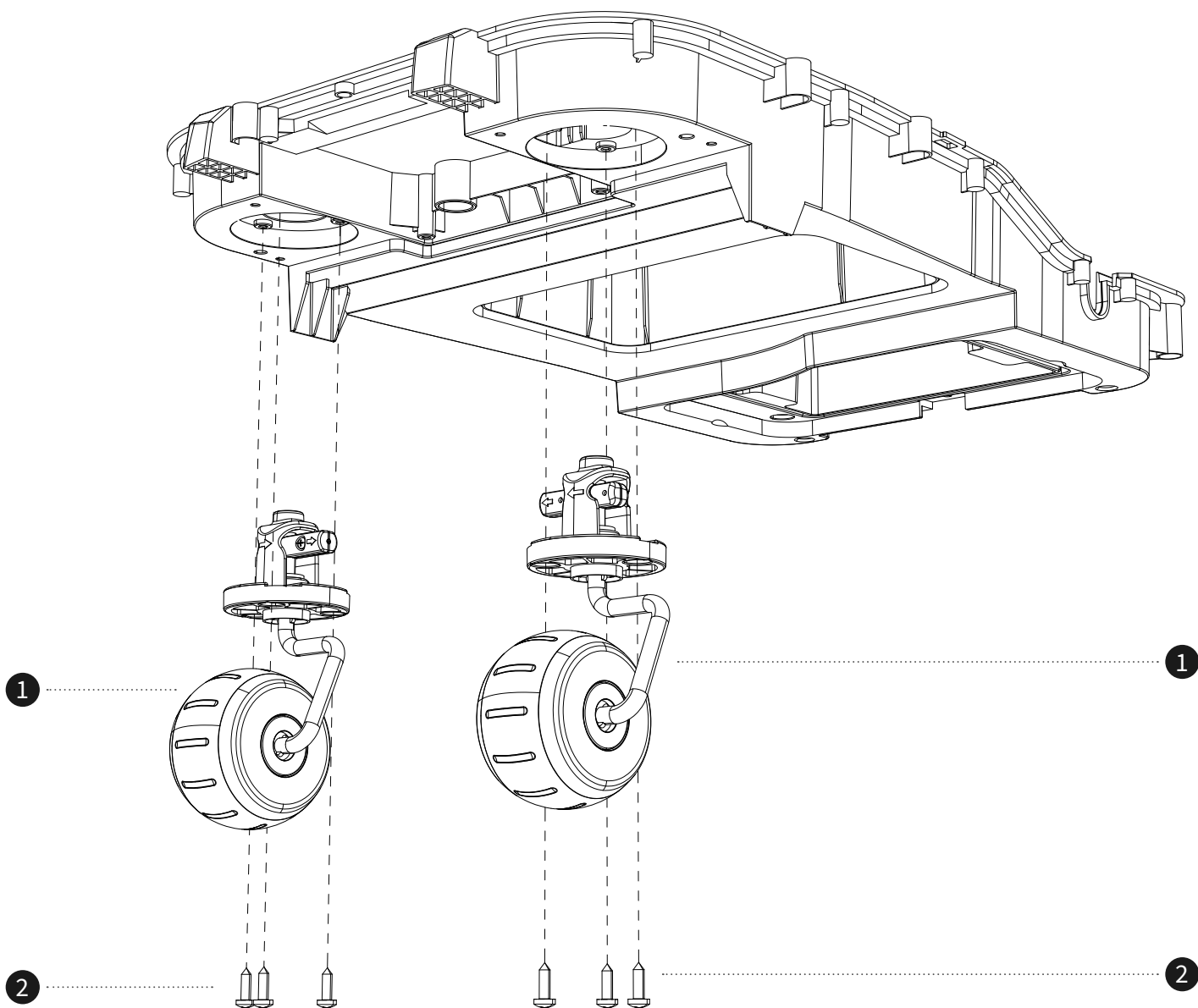
No.	PN	Description	Quantity	Notes
①	AB.50.0017.44	Screw-ST4.8X16 cross-shaped	4	
②	AB.12.01.00.0200	Drive board assembly	1	



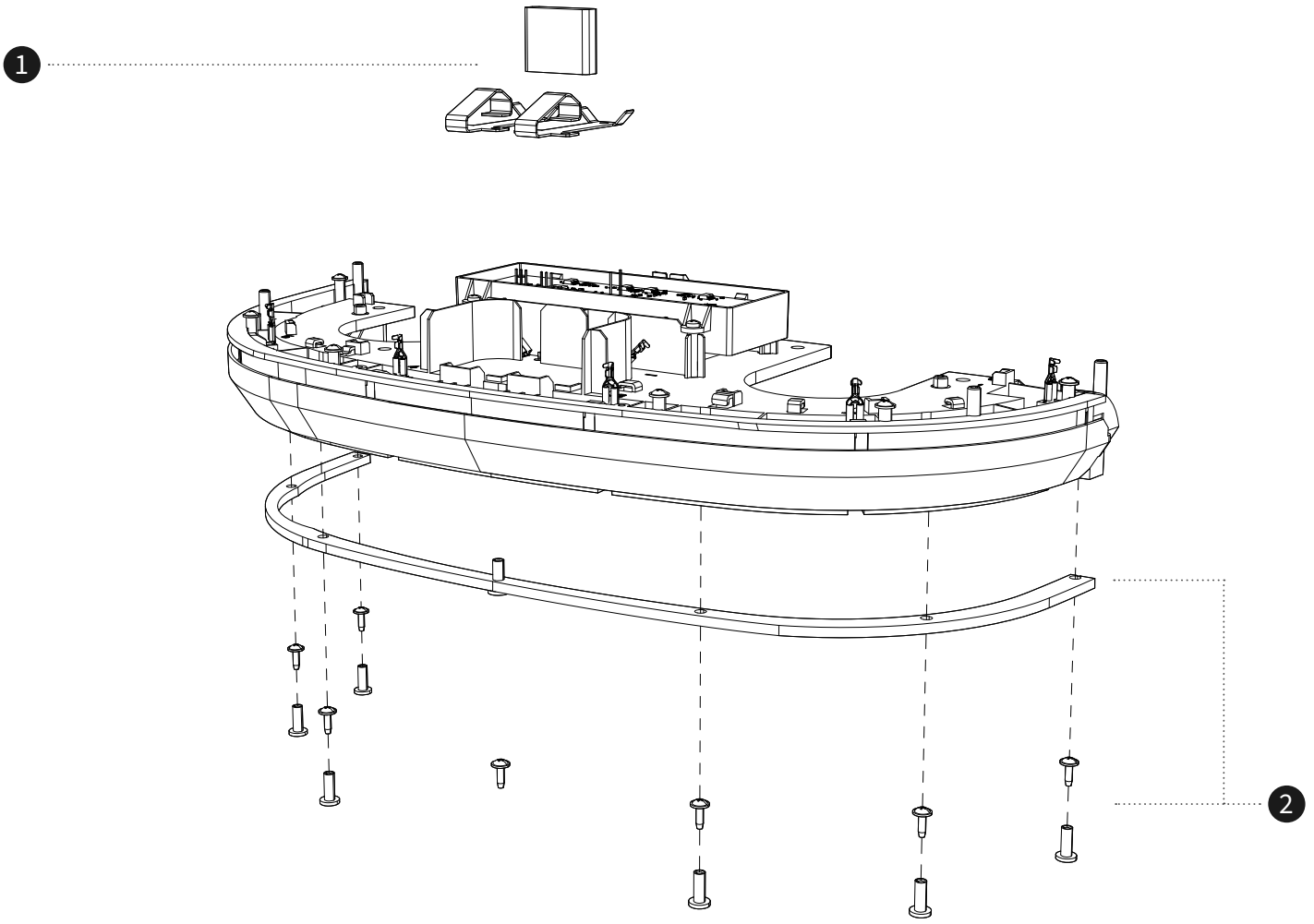
No.	PN	Description	Quantity	Notes
①	AB.12.01.00.0233	Battery pack H500E/H800E	1	
	AB.12.01.00.0234	Battery pack H1500E	1	
	AB.12.01.00.0235	Battery pack H3000E	1	
②	AB.50.0017.44	Screw-ST4.8X16 cross-shaped	1	
③	AB.50.0039.14	Battery cover	1	



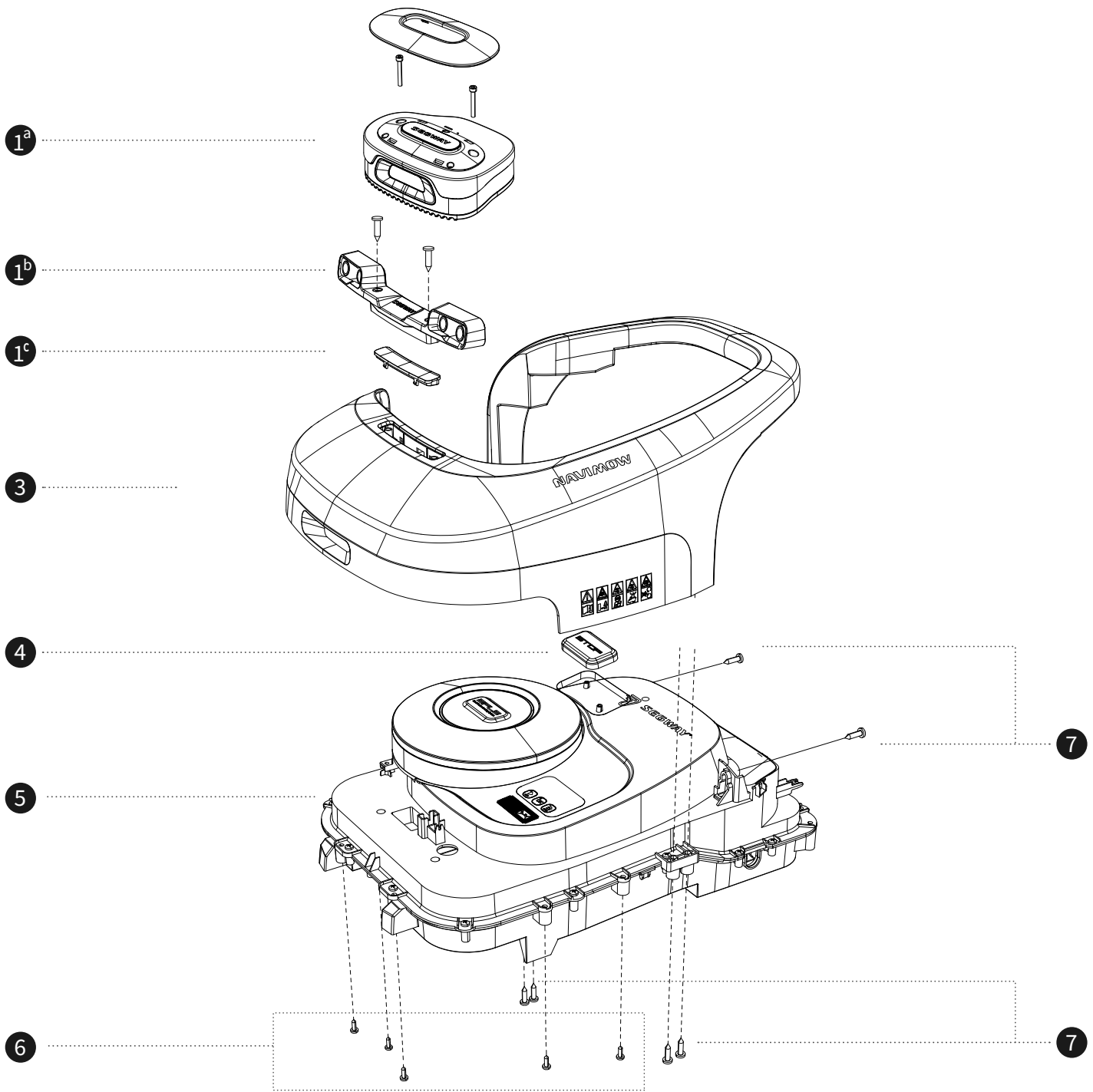
No.	PN	Description	Quantity	Notes
1	AB.12.01.00.0190	Blade fender	1	
2	AB.12.01.00.0191	Blade disc	1	
3	AB.50.0017.47	Screw-M4x12 socket cap	7	



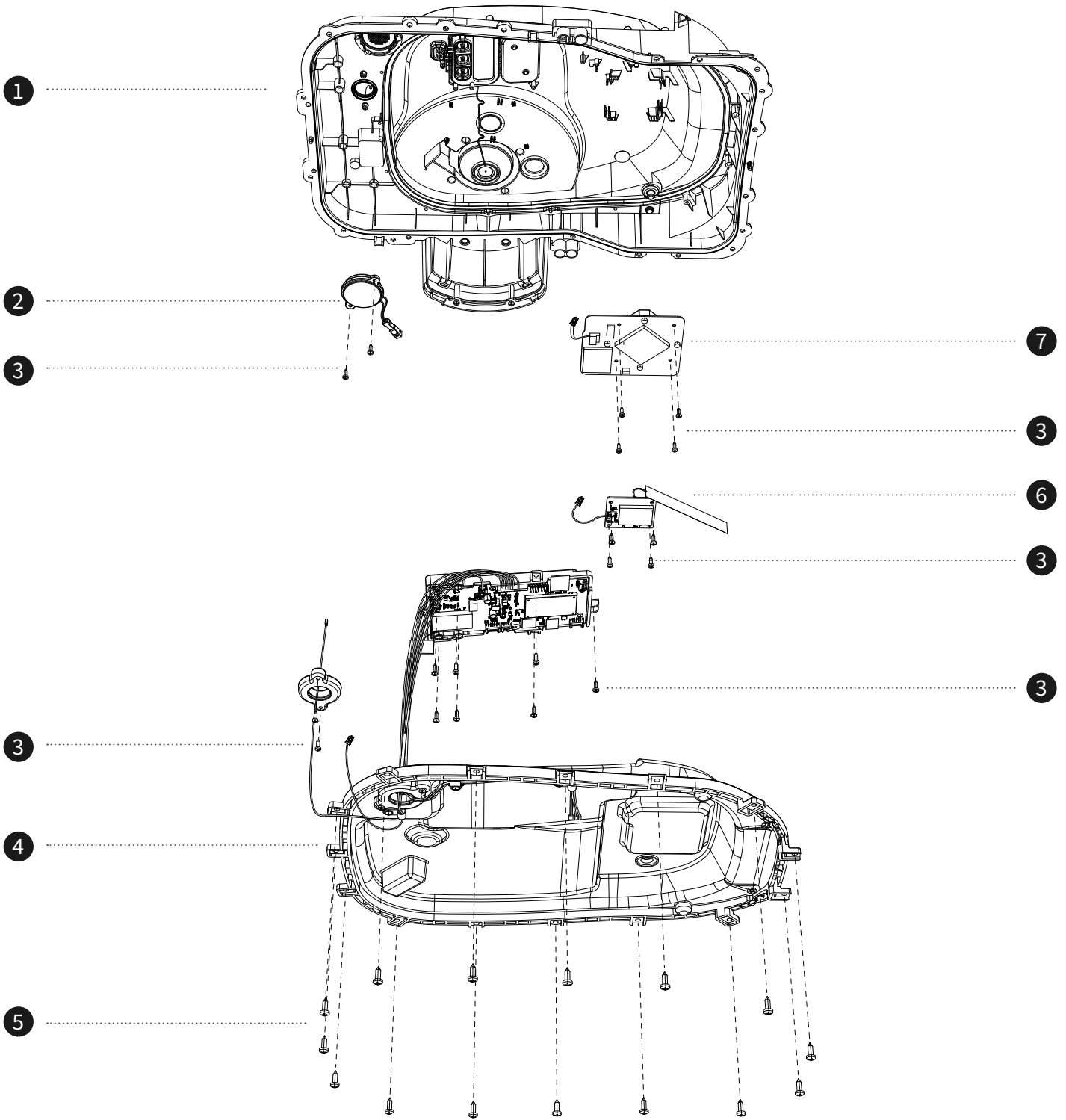
No.	PN	Description	Quantity	Notes
①	AB.12.01.00.0199	Universal wheel assembly	2	
②	AB.50.0017.44	Screw-ST4.8X16 cross-shaped	6	



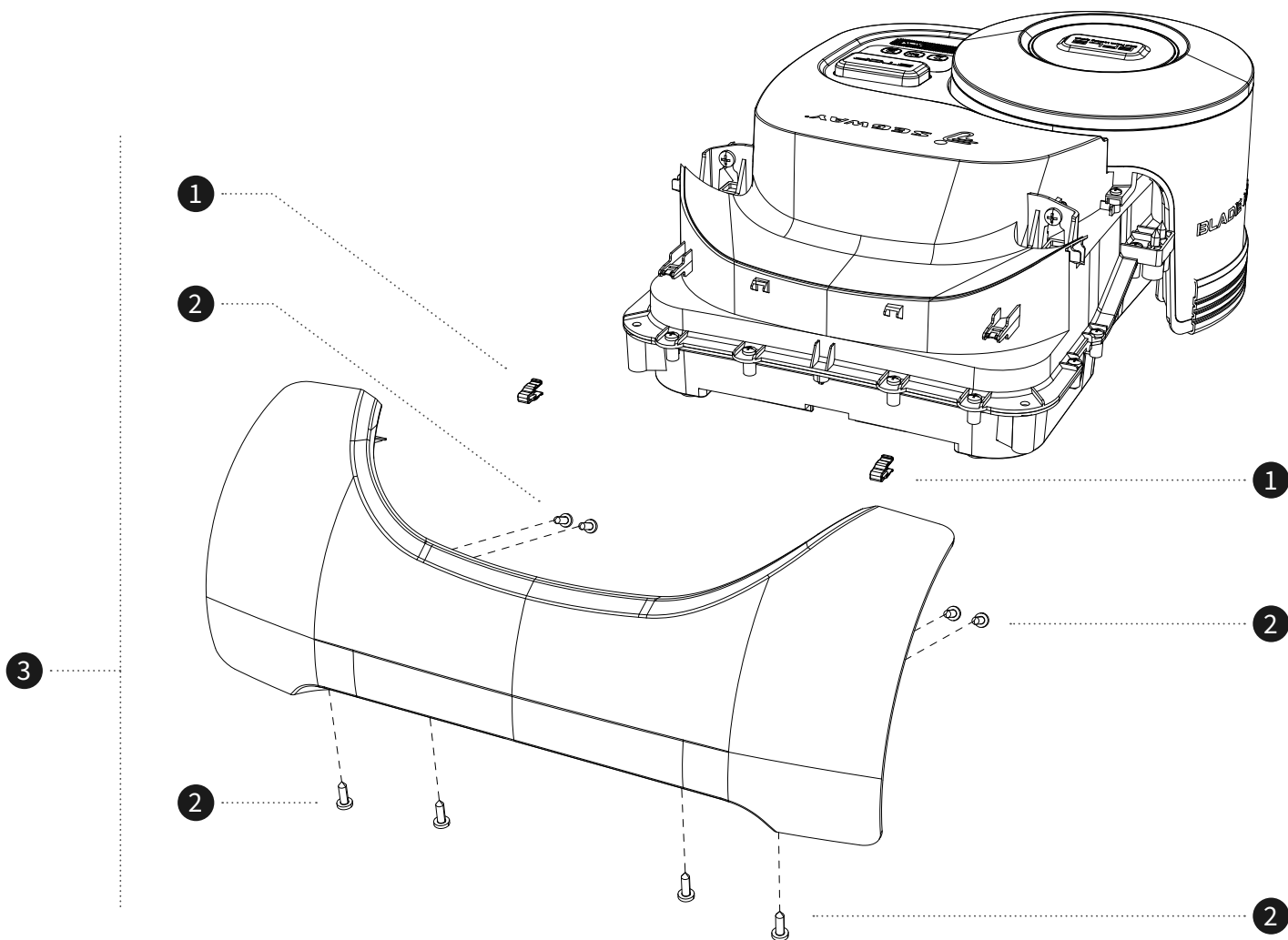
No.	PN	Description	Quantity	Notes
①	AB.12.01.00.0194	Charging metal clip	1	
②	AB.12.01.00.0206	Bumper joint strip	1	



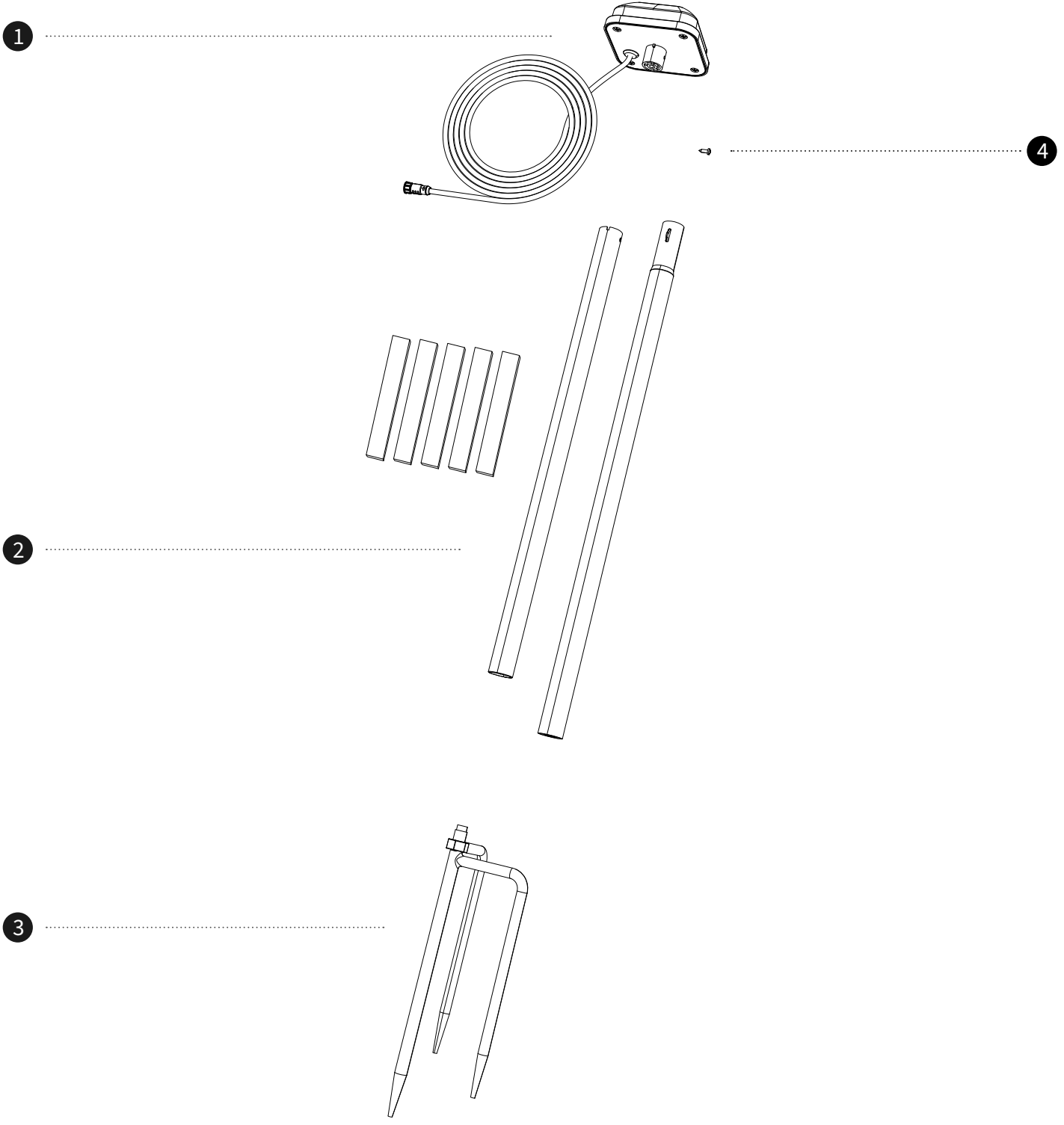
No.	PN	Description	Quantity	Notes
1 ^a	AD.12.00.14.0031	VisionFence sensor	1	The VisionFence sensor can only be ordered as an accessory, not as a spare part. Installed on the H3000E-VF machine by default.
1 ^b	AC.00.0000.02	Ultrasonic sensor	1	The Ultrasonic sensor can only be ordered as an accessory, not as a spare part. Installed on the H3000E machine by default.
1 ^c	AB.50.0017.00	Ultrasonic mounting cover	1	
3	AB.12.01.00.0189	Outer shell	1	
4	AB.12.01.00.0193	Emergency stop button assembly	1	
5	AB.12.01.00.0198	Top shell assembly-H500E	1	
	AB.12.01.00.0197	Top shell assembly-H800E	1	
	AB.12.01.00.0196	Top shell assembly-H1500E/H3000E	1	
6	AB.50.0017.42	Screw-ST6.3X25 cross-shaped	6	
7	AB.50.0017.44	Screw-ST4.8X16 cross-shaped	5	



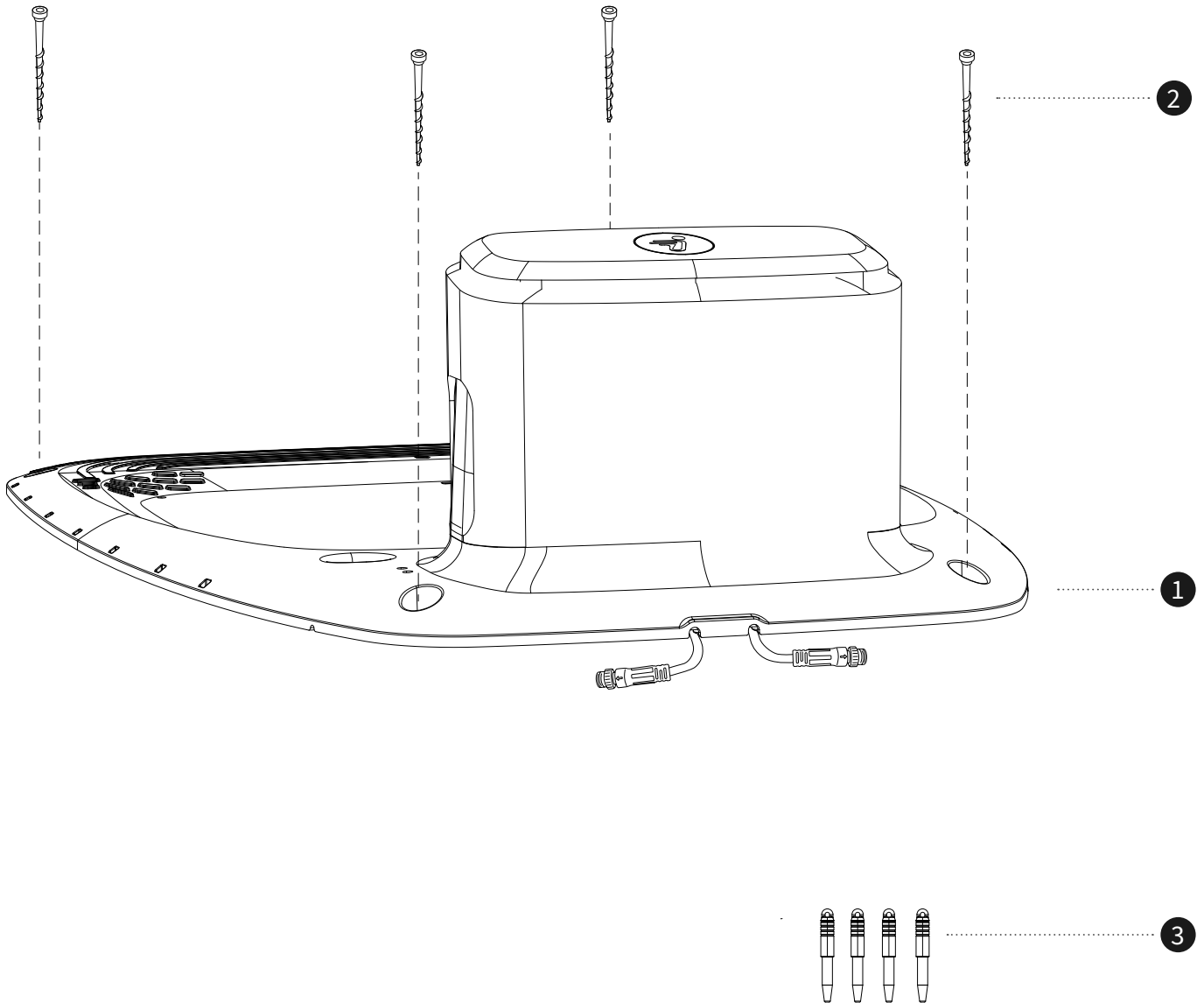
No.	PN	Description	Quantity	Notes
①	AB.12.01.00.0248	Top shell body H500E/800E	1	
	AB.12.01.00.0249	Top shell body H1500E/3000E	1	
②	AB.12.01.00.0250	Speaker	1	
③	AB.50.0017.48	Screw-ST2.9x9.5 cross-shaped	19	
④	AB.12.01.00.0246	Main control board assembly	1	
⑤	AB.50.0017.46	Screw-ST4.2x13 cross-shaped	15	
⑥	AB.12.01.00.0245	IoT module	1	Only for 4G models
⑦	AB.12.01.00.0244	GNSS board	6	



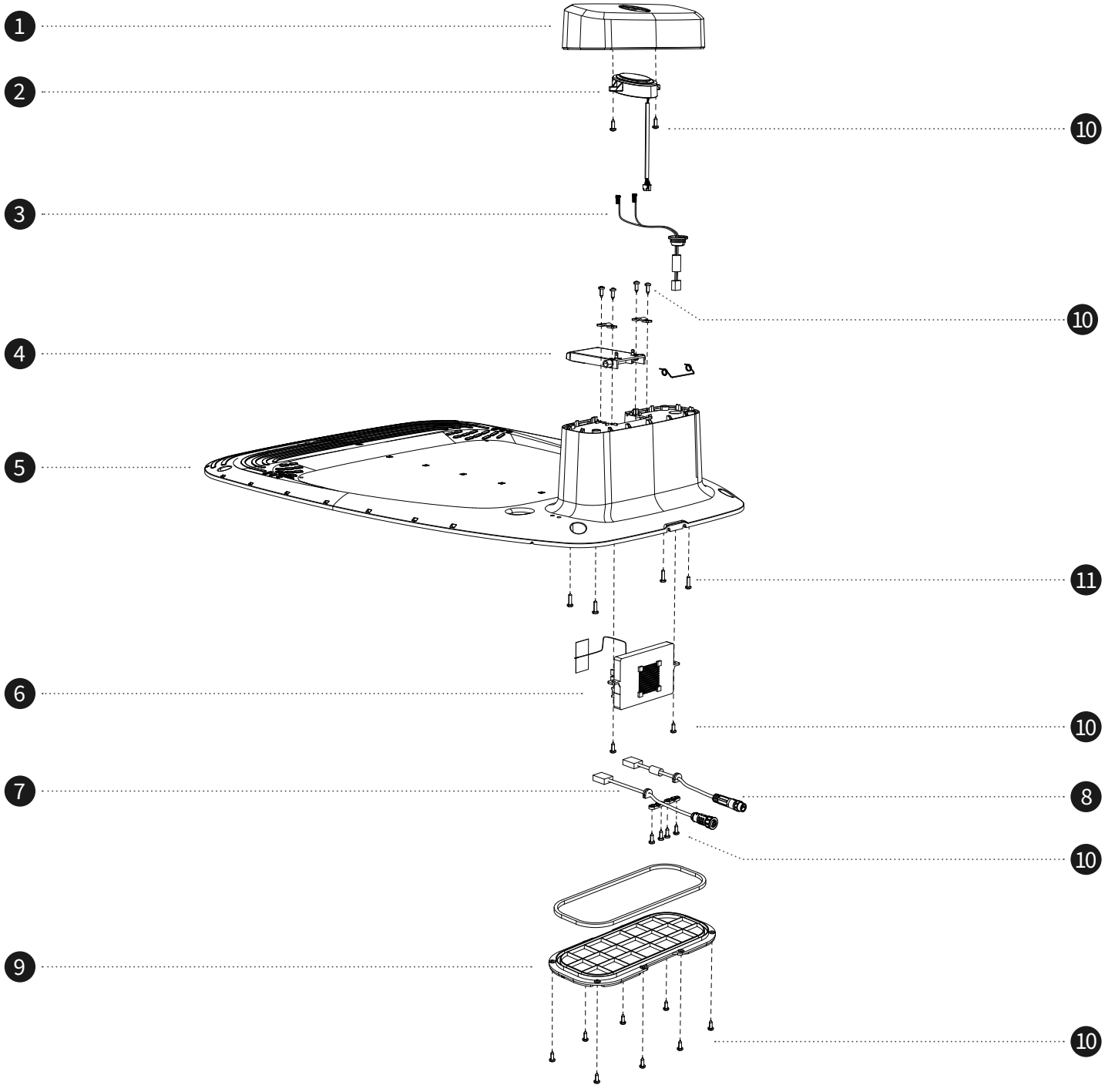
No.	PN	Description	Quantity	Notes
1	-	Fender adaptors	2	
2	AB.50.0017.44	Screw-ST4.8X16 cross-shaped	8	
3	AB.50.0017.03	Fender	1	Including fender adaptors



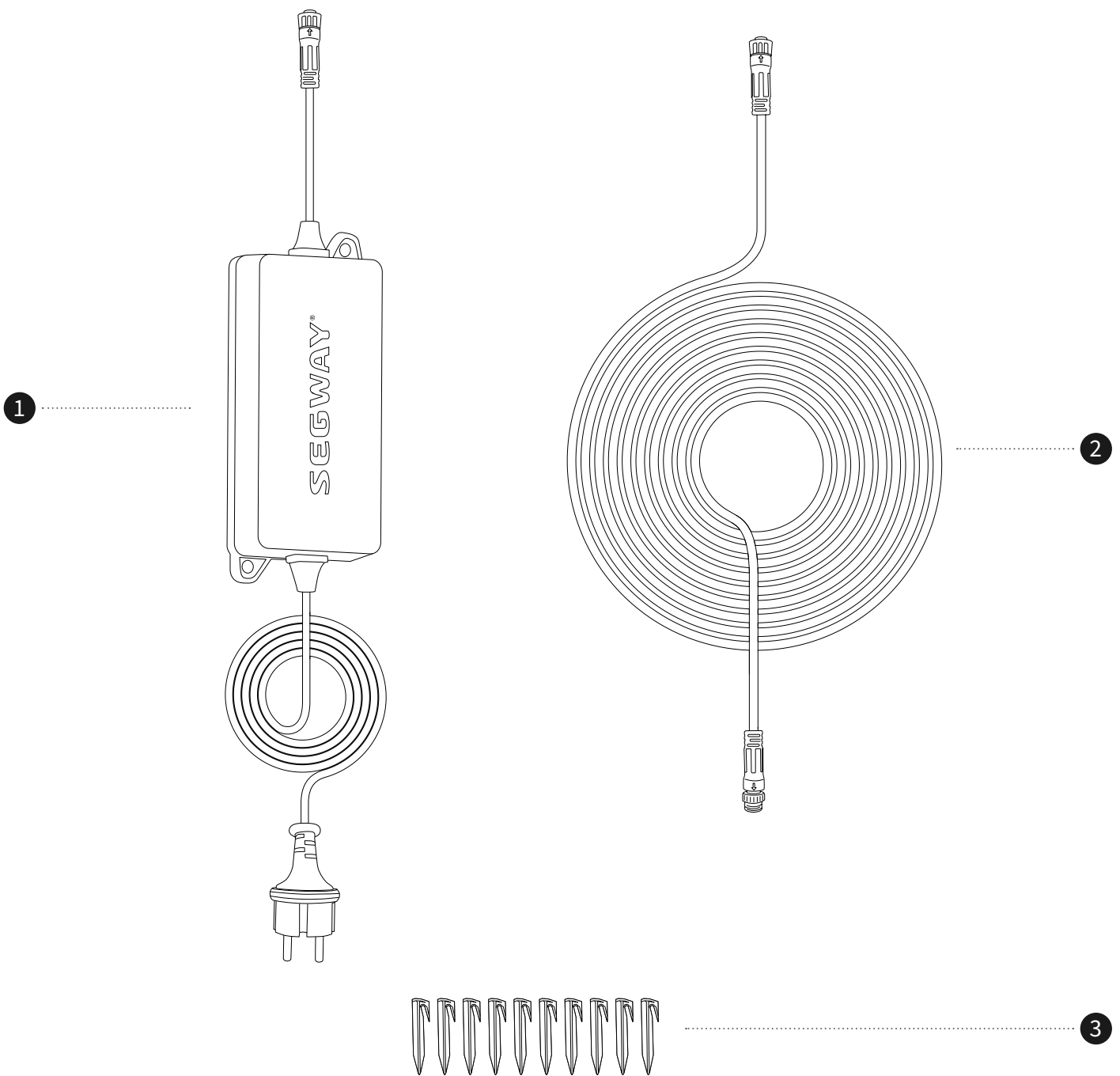
No.	PN	Description	Quantity	Notes
①	AB.12.01.00.0239	GNSS station	1	Including 1pcs Screw-ST4.2*13
②	AB.12.01.00.0247	Tube	1	
③	AB.50.0017.20	Base fork assembly	1	
④	AB.50.0017.46	Screw-ST4.2x13 cross-shaped	1	



No.	PN	Description	Quantity	Notes
①	AB.12.01.00.0192	Charging station assembly	1	
②	AB.50.0017.19	Charging station ground nail	4	Packed in Tube
③	AB.12.01.00.0232	Hole marker nail - silica gel	4	



No.	PN	Description	Quantity	Notes
1 + 5	AB.12.01.00.0230	Charging station housing assembly	1	
2	AB.50.0039.11	Charging station indication light assembly	1	
3	AB.12.01.00.0229	Charging station power output cable	1	
4	AB.50.0017.29	Charging station tongue	1	
6	AB.12.01.00.0225	Charging station control board	1	
7	AB.12.01.00.0226	Charging station GNSS transmission cable	1	
8	AB.12.01.00.0228	Charging station power input cable	1	
9	AB.12.01.00.0224	Charging station bottom cover	1	
10	AB.50.0017.46	Screw-ST4.2x13 cross-shaped	20	
11	AB.12.01.00.0251	Screw-ST4.2x16 cross-shaped	4	



No.	PN	Description	Quantity	Notes
①	AB.50.0017.26	Power supply - EU standard	1	Only for EU standard models
	AB.50.0039.10	Power supply - UK standard	1	Only for UK standard models
	AB.12.01.00.0188	Power supply - CH standard	1	Only for CH standard models
②	AB.50.0017.27	Power supply extension cable	1	
③	AB.50.0017.25	Peg	10	Packed in Tube



Choose Life Without Boundaries