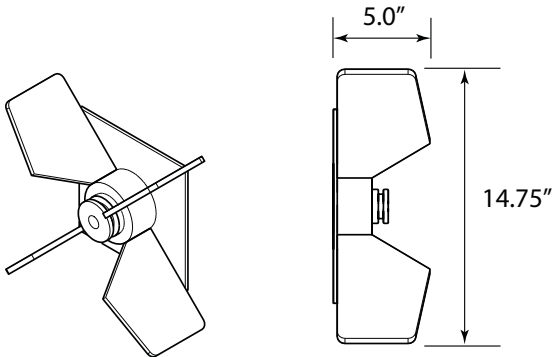


SCAG GIANT-VAC[®]

SERVICE INFORMATION SHEET 001

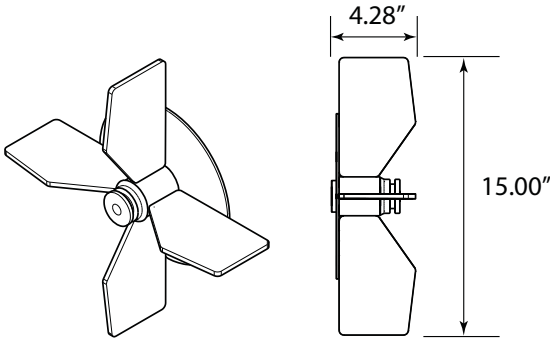
REPLACEMENT IMPELLER CHART

14-3/4" / 15" & 15-3/4" O.D. - 4 Blade Impellers for Blowers



452443 Impeller, 1.00" Bore

Giant-Vac Impeller 301501 Replaced By:
452443 Impeller, 1.00" Bore

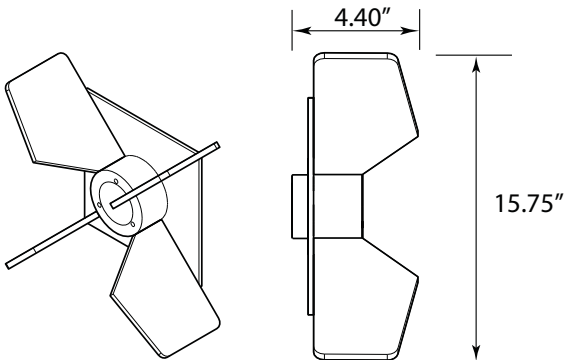


452494 LBC (Classic) Impeller, 0.75" Bore
452444 LBC (Classic) Impeller, 1.00" Bore

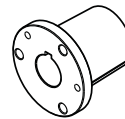
Giant-Vac Impeller 3021613 Replaced By:
452494 Impeller, 0.75" Bore

Giant-Vac Impeller 7043287 Replaced By:
452444 Impeller, 1.00" Bore

Giant-Vac Impeller 3021506 Replaced By:
452444 Impeller, 1.00" Bore



452451 Impeller



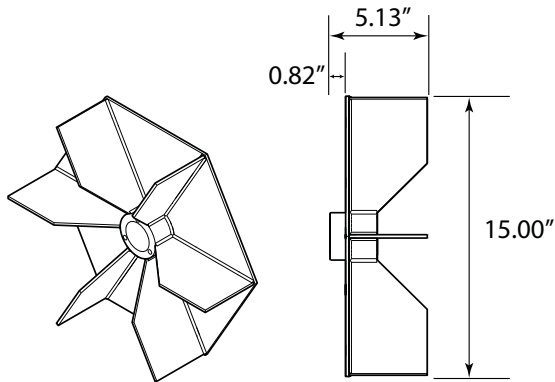
Giant-Vac Impeller 3021558 Replaced By:
452451 Impeller
485189 Tapered Hub, P2 x 1-1/8" Bore (3021559)
04001-175 Bolt, Hex Head 5/16-18 x 1-1/2" Grade 8
04030-03 Lockwasher, 5/16"

SCAG GIANT-VAC[®]

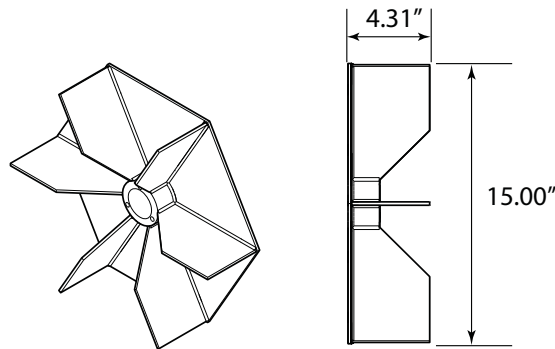
SERVICE INFORMATION SHEET 001

REPLACEMENT IMPELLER CHART

15" O.D. - 6 Blade Impeller for Blowers

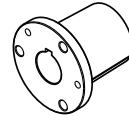


452557 LBX (Extreme) Impeller Weldment
(replaces 3071771)



452581 LBX (Extreme) Impeller Weldment
(replaces 3021595)

Available Tapered Hub & Hardware



- 485057 Tapered Hub, P1 x 1" Bore (3021596)
- 485058 Tapered Hub, P2 x 1" Bore (3021560)
- 485189 Tapered Hub, P2 x 1-1/8" Bore (3021559)
- 04001-175 Bolt, Hex Head 5/16-18 x 1-1/2" Grade 8
- 04030-03 Lockwasher, 5/16"

Giant-Vac Impeller 3021599 Replaced By:

- 452557 Impeller
- 485188 Tapered Hub, P1 x 1-1/8" Bore (3021597)
- 04001-175 Bolt, Hex Head 5/16-18 x 1-1/2" Grade 8
- 04030-03 Lockwasher, 5/16"

Giant-Vac Impeller 3021598 Replaced By:

- 452581 Impeller
- 485057 Tapered Hub, P1 x 1" Bore (3021596)
- 04001-175 Bolt, Hex Head 5/16-18 x 1-1/2" Grade 8
- 04030-03 Lockwasher, 5/16"

Giant-Vac Impeller 3021568 Replaced By:

- 452557 Impeller
- 485058 Tapered Hub, P2 x 1" Bore (3021560)
- 04001-175 Bolt, Hex Head 5/16-18 x 1-1/2" Grade 8
- 04030-03 Lockwasher, 5/16"

Giant-Vac Impeller 3021555 Replaced By:

- 452557 Impeller
- 485189 Tapered Hub, P2 x 1-1/8" Bore (3021559)
- 04001-175 Bolt, Hex Head 5/16-18 x 1-1/2" Grade 8
- 04030-03 Lockwasher, 5/16"

Giant-Vac Impeller 3021587 Replaced By:

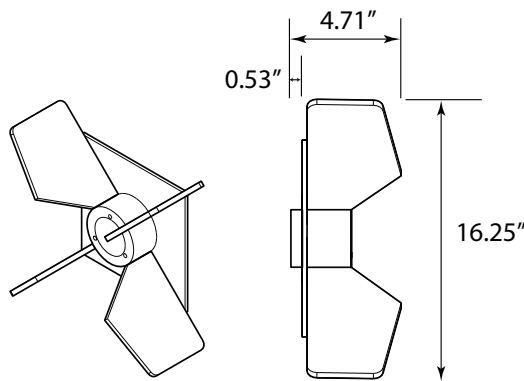
- 452557 Impeller
- 485058 Tapered Hub, P2 x 1" Bore (3021560)
- 04001-175 Bolt, Hex Head 5/16-18 x 1-1/2" Grade 8
- 04030-03 Lockwasher, 5/16"

SCAG *GIANT-VAC*[®]

SERVICE INFORMATION SHEET 001

REPLACEMENT IMPELLER CHART

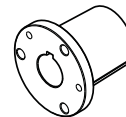
16-1/4" O.D. - 4 Blade Impeller for Truck Loaders



452453 Impeller Weldment - 1100 New Style
(replaces 3021593 / 3021608)

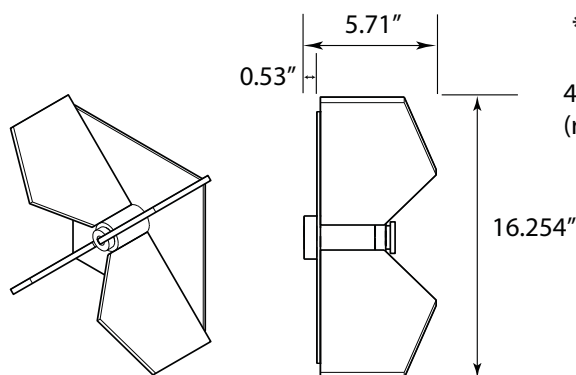
Available Tapered Hub & Hardware

***Verify original mounting hardware when replacing**



- 485058 Tapered Hub, P2 x 1" Bore (3021560)
- 04001-10 Bolt, Hex Head 5/16-18 x 1-1/4"
- 04030-03 Lockwasher, 5/16"
- 426338 End Plate, Tapered Hub
- 04102-10 Bolt, Hex Head 3/8-24 x 2" w/Patch
- 04030-04 Lockwasher, 3/8"

16-1/2" O.D. - 4 Blade Impeller for Truck Loaders



452448 Impeller Weldment - 4 Blade 1.125" Bore
(replaces 3021533)

Available Mounting Hardware

***Verify original mounting hardware when replacing**

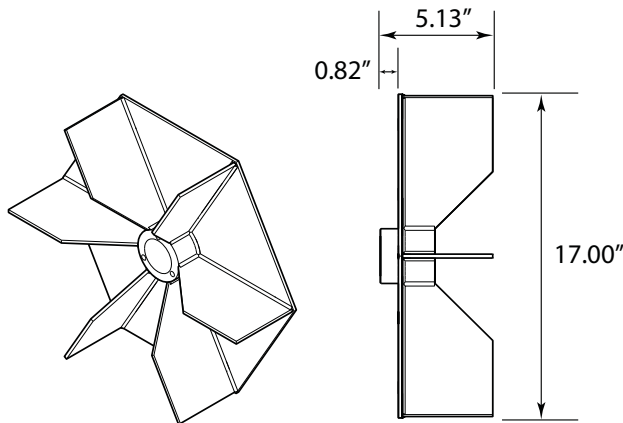
- 462592 Kit, Impeller - Bolt, Washer, Key (incl. items below)
(replaces 3031020 Kit, Impeller Washer Key)
- 04015-24 SHCS, 7/16-20 x 2"
- 04030-05 Lockwasher, 7/16"
- 04043-10 Flatwasher, 7/16-.469 x .922 x .064 HD
- 04063-36 Key, 1/4 x 1/4 x 2-1/8"

SCAG *GIANT-VAC*[®]

SERVICE INFORMATION SHEET 001

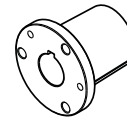
REPLACEMENT IMPELLER CHART

17" O.D. - 6 Blade Impeller for Blowers



452558 LBXP (Extreme Pro) Impeller

Available Tapered Hub & Hardware



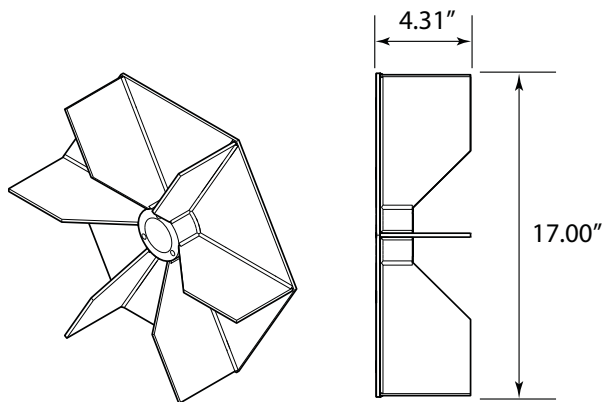
- 485057 Tapered Hub, P1 x 1" Bore (3021596)
- 485058 Tapered Hub, P2 x 1" Bore (3021560)
- 485189 Tapered Hub, P2 x 1-1/8" Bore (3021559)
- 04001-175 Bolt, Hex Head 5/16-18 x 1-1/2" Grade 8
- 04030-03 Lockwasher, 5/16"

Giant-Vac Impeller 3021564 Replaced By:

- 452558 Impeller
- 485058 Tapered Hub, P2 x 1" Bore (3021560)
- 04001-175 Bolt, Hex Head 5/16-18 x 1-1/2" Grade 8
- 04030-03 Lockwasher, 5/16"

Giant-Vac Impeller 3021586 Replaced By:

- 452558 Impeller
- 485189 Tapered Hub, P2 x 1-1/8" Bore (3021559)
- 04001-175 Bolt, Hex Head 5/16-18 x 1-1/2" Grade 8
- 04030-03 Lockwasher, 5/16"



452606 WJ (Whisper Jet) "Series 2" Impeller

Giant-Vac Impeller 7500143 (7078040) Replaced By:

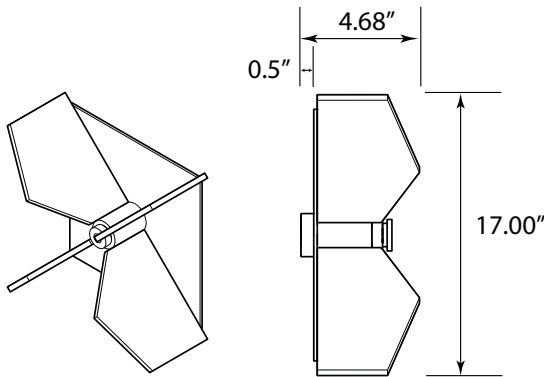
- 452606 Impeller
- 485188 Tapered Hub, P1 x 1-1/8" Bore (3021597)
- 04001-175 Bolt, Hex Head 5/16-18 x 1-1/2" Grade 8
- 04030-03 Lockwasher, 5/16"

SCAG GIANT-VAC[®]

SERVICE INFORMATION SHEET 001

REPLACEMENT IMPELLER CHART

17" O.D. - 4 Blade Impeller for Truck Loaders



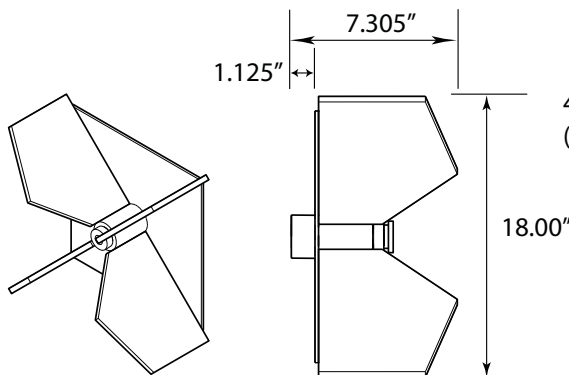
452449 Impeller Weldment - 4 Blade 1.00" Bore
(replaces 3021545)

Available Mounting Hardware

***Verify original mounting hardware when replacing**

- 462592 Kit, Impeller - Bolt, Washer, Key (incl. items below)
(replaces 3031020 & 3031479 Kit, Impeller Washer Key)
- 04015-24 SHCS, 7/16-20 x 2"
- 04030-05 Lockwasher, 7/16"
- 04043-10 Flatwasher, 7/16-.469 x .922 x .064 HD
- 04063-36 Key, 1/4 x 1/4 x 2-1/8"

18" O.D. - 4 Blade Impeller for Truck Loaders



452447 Impeller Weldment - 4 Blade 1.125" Bore
(replaces 3021531)

Available Mounting Hardware

***Verify original mounting hardware when replacing**

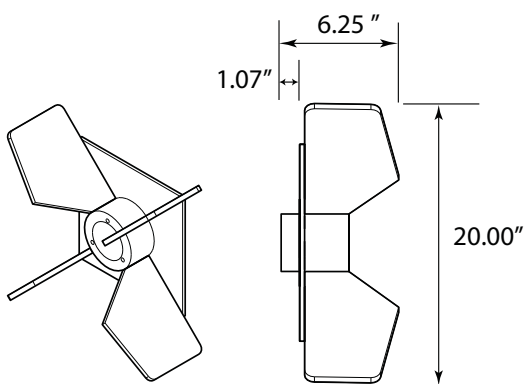
- 462592 Kit, Impeller - Bolt, Washer, Key (incl. items below)
(replaces 3031020 Kit, Impeller Washer Key)
- 04015-24 SHCS, 7/16-20 x 2"
- 04030-05 Lockwasher, 7/16"
- 04043-10 Flatwasher, 7/16-.469 x .922 x .064 HD
- 04063-36 Key, 1/4 x 1/4 x 2-1/8"

SCAG GIANT-VAC®

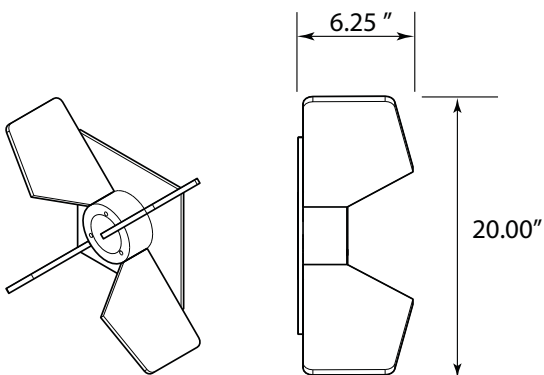
SERVICE INFORMATION SHEET 001

REPLACEMENT IMPELLER CHART

20" O.D. - 4 Blade Impeller for Truck Loaders



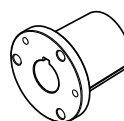
452454 Impeller Weldment, TL20
(replaces 3021523 / 3021609 / 3092585)



452455 Impeller Weldment - TL20W (Wide)
(replaces 3021517 / 3021610)

Available Tapered Hub & Hardware

***Verify original mounting hardware when replacing**



Required to Replace 3021609 / 3092585

- 484819 Tapered Hub, P3 x 1.125" Bore (3021589)
- 04001-11 Bolt, Hex Head 5/16-18 x 1-1/2"
- 04030-03 Lockwasher, 5/16"
- 426338 End Plate, Tapered Hub
- 04102-01 Bolt, Hex Head 7/16-20 x 1-3/4" w/Patch
- 04030-05 Lockwasher, 7/16"

Required to Replace 3021523

- 484819 Tapered Hub, P3 x 1.125" Bore (3021589)
- 04001-11 Bolt, Hex Head 5/16-18 x 1-1/2"
- 04030-03 Lockwasher, 5/16"
- 426338 End Plate, Tapered (3021594)
- 3021612 Spacer (Not Available thru Scag Giant-Vac)
- 04102-02 Bolt, Hex Head 7/16-20 x 2"
- 04030-05 Lockwasher, 7/16"

Required to Replace 3021517 / 3021610

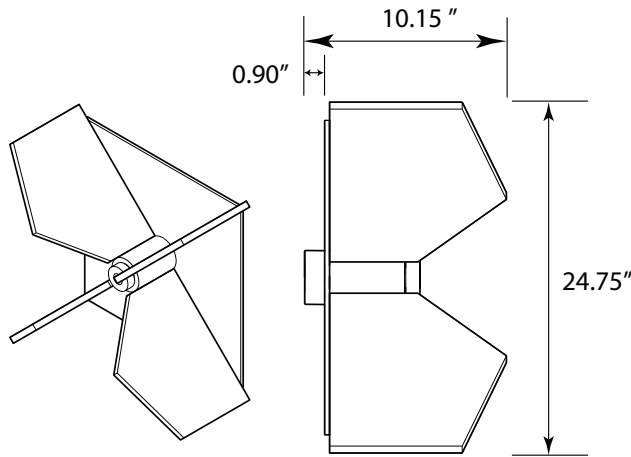
- 484820 Tapered Hub, Q2 x 1.438" Bore (3036237)
- 04001-21 Bolt, Hex Head 3/8-16 x 1-3/4"
- 04030-04 Lockwasher, 3/8"
- 426138 End Plate, Tapered Hub
- 04015-22 Socket Head Cap Screw 5/8-18 x 1-3/4"
- 04030-07 Lockwasher, 5/8"

SCAG *GIANT-VAC*[®]

SERVICE INFORMATION SHEET 001

REPLACEMENT IMPELLER CHART

24-3/4" O.D. - 4 Blade Impeller for Truck Loaders



452445 Impeller Weldment - TLB25 - 1.438" Bore
(replaces 3021518)

Available Mounting Hardware

***Verify original mounting hardware when replacing**

- 04015-23 SHCS, 5/8-18 x 2-1/2"
- 04030-07 Lockwasher, 5/8"
- 04043-06 Flatwasher, 5/8-.688 x 1.75 x .134 HD

- 04015-28 SHCS, 5/8-18 x 2"
- 04030-07 Lockwasher, 5/8"
- 462686 Kit, Impeller - Bolt & Washer (incl. items below)
(replaces 3031127 Kit, Impeller Bolt & Washer Group)
 - 04015-25 SHCS, 5/8-11 x 1-3/4"
 - 04030-11 Lockwasher, 5/8" - High Collar

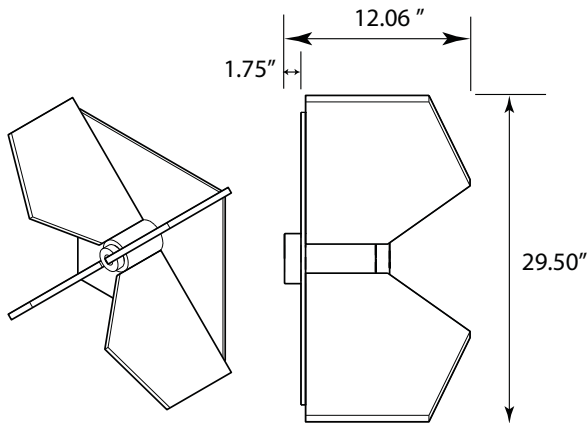
- 04063-33 Key, 3/8 x 3/8 x 4-1/2"

SCAG GIANT-VAC[®]

SERVICE INFORMATION SHEET 001

REPLACEMENT IMPELLER CHART

29-1/2" O.D. - 4 Blade Impeller for Truck Loaders

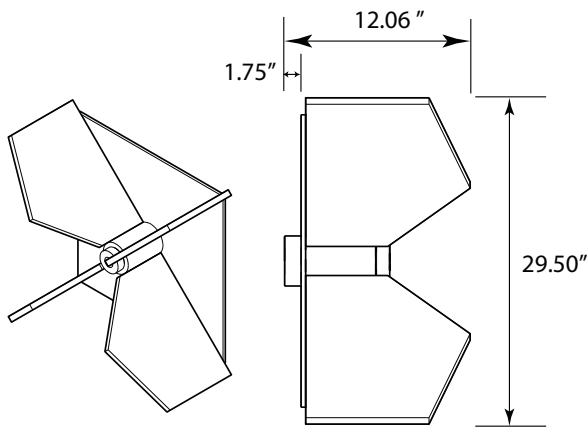


452446 Impeller Weldment, 29-1/2 OD - 2" Bore
(replaces 3021519)

Available Mounting Hardware

***Verify original mounting hardware when replacing**

- 04030-07 Lockwasher, 5/8"
- 04024-29 SHCS, 5/8-11 X 2-1/2"
- 04063-38 Key, 1/2 x 5-1/4"
- 04063-37 Key, 5/8 x 4-1/4"
- 462722 Kit, Impeller - Bolt, Lockwasher (incl. items below)
(replaces 3031329 Kit, Impeller Bolt, Lockwasher)
- 04015-26 SHCS, 1-14 x 3"
- 04030-12 Lockwasher, 1"



452607 Impeller Weldment - 68 (Gas) - 2.25" Bore
(replaces 3021520G)

Available Mounting Hardware

***Verify original mounting hardware when replacing**

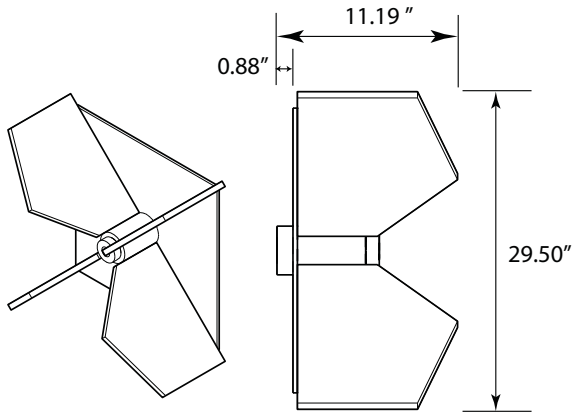
- 04030-07 Lockwasher, 5/8"
- 04024-29 SHCS, 5/8-11 X 2-1/2"
- 04063-26 Key, 1/2 x 5-1/4"
- 04063-12 Key, 5/8 x 4-1/4"
- 462722 Kit, Impeller - Bolt, Lockwasher (incl. items below)
(replaces 3031329 Kit, Impeller Bolt, Lockwasher)
- 04015-26 SHCS, 1-14 x 3"
- 04030-12 Lockwasher, 1"

SCAG GIANT-VAC[®]

SERVICE INFORMATION SHEET 001

REPLACEMENT IMPELLER CHART

29-1/2" O.D. - 4 Blade Impeller for Truck Loaders

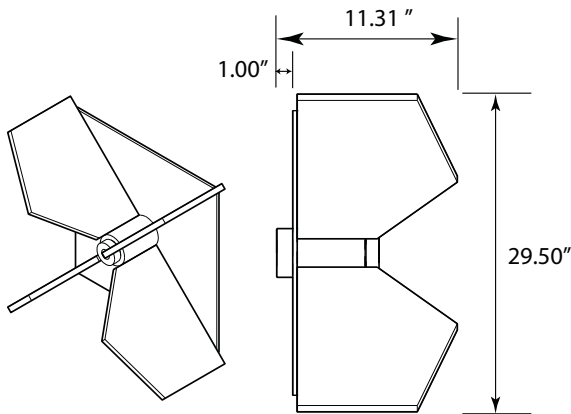


Available Mounting Hardware

***Verify original mounting hardware when replacing**

- 04030-07 Lockwasher, 5/8"
- 04024-29 SHCS, 5/8-11 X 2-1/2"
- 04063-38 Key, 1/2 x 5-1/4"
- 04063-37 Key, 5/8 x 4-1/4"
- 462722 Kit, Impeller - Bolt, Lockwasher (incl. items below)
(replaces 3031329 Kit, Impeller Bolt, Lockwasher)
 - 04015-26 SHCS, 1-14 x 3"
 - 04030-12 Lockwasher, 1"

452608 Impeller Weldment - 68 (Diesel) 29-1/2 OD - 2.25" Bore
(replaces 3021520D)



Available Mounting Hardware

***Verify original mounting hardware when replacing**

- 04030-07 Lockwasher, 5/8"
- 04024-29 SHCS, 5/8-11 X 2-1/2"
- 04063-38 Key, 1/2 x 5-1/4"
- 04063-37 Key, 5/8 x 4-1/4"
- 462722 Kit, Impeller - Bolt, Lockwasher (incl. items below)
(replaces 3031329 Kit, Impeller Bolt, Lockwasher)
 - 04015-26 SHCS, 1-14 x 3"
 - 04030-12 Lockwasher, 1"

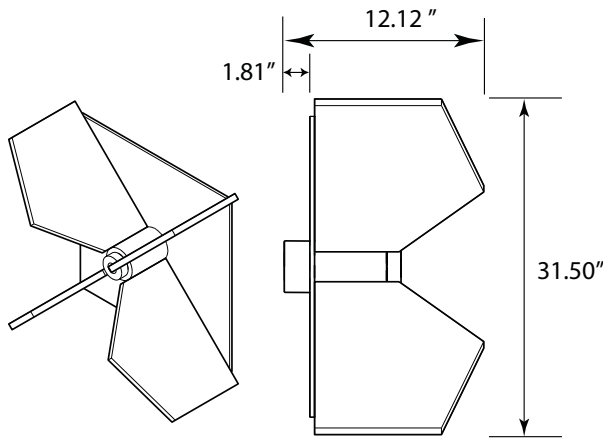
452450 Impeller Weldment - 29-1/2 OD - 2.25" Bore
(replaces 3021552)

SCAG GIANT-VAC[®]

SERVICE INFORMATION SHEET 001

REPLACEMENT IMPELLER CHART

31-1/2" O.D. - 4 Blade Impeller for Truck Loaders

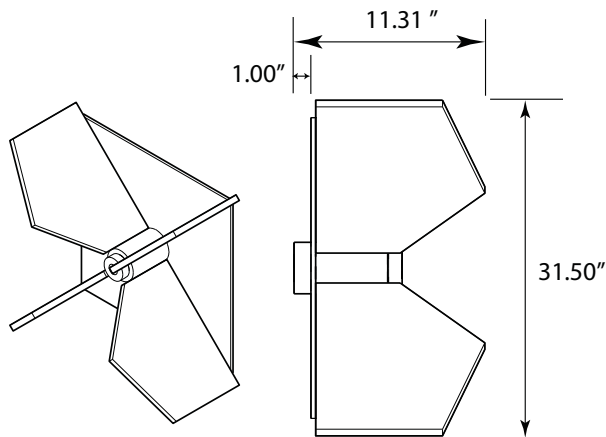


452571 Impeller Weldment - (98G) 31-1/2 OD - 2.25" Bore, 1.81" Offset
(replaces 3021532)

Available Mounting Hardware

***Verify original mounting hardware when replacing**

- 462593 Kit, Impeller - Bolt, Lockwasher (incl. items below)
(replaces 3031276 Kit, Impeller Bolt, Washer)
- 04015-27 SHCS, 1-8 x 3"
- 04030-12 Lockwasher, 1"



452572 Impeller Weldment - (99D) 31-1/2 OD - 2.25" Bore, 1" Offset
(replaces 3021590)

Available Mounting Hardware

***Verify original mounting hardware when replacing**

- 462593 Kit, Impeller - Bolt, Lockwasher (incl. items below)
(replaces 3031276 Kit, Impeller Bolt, Washer)
- 04015-27 SHCS, 1-8 x 3"
- 04030-12 Lockwasher, 1"

