

# WALKER MOWERS

## ILLUSTRATED PARTS MANUAL

**Model MBSY**



Beginning S/N: 112057  
Effective Date: 05-23-11  
P/N 2000-5

# KEY TO ABBREVIATIONS USED IN THIS MANUAL

<i>Abbreviation</i>	<i>What it Represents</i>
° (Dimension)	Degrees (Angle)
" (Dimension)	inches
(-)	Negative (Polarity)
(+)	Positive (Polarity)
AT	All-Terrain
CCW	Counter-clockwise
Conn	Connector
CW	Clockwise
D	Diameter
DGHS	Deck, Grass Handling System (number refers to size in inches)
DML	Deck, Mulching (number refers to size in inches)
DSD	Deck, Side Discharge (number refers to size in inches)
DU	Garlock (Bearing)
ESNA (Fastener)	Nylon Insert Locknut
FSC	Forward Speed Control
GA	Gauge
gal	gallon
GHS	Grass Handling System
GR (Fastener)	Grade
HP	Horse Power
HT	Heat-Treated
ID	Identification or Inside Diameter
L	Length
LH	Left Hand (orientated with operator on seat)
LP	Low Profile
mm (Dimension)	millimeters
MS (Fastener)	Machine Screw
NS (as part number)	Item is not sold by Walker Manufacturing
OD	Outside Diameter
oz	ounce
PFH (Fastener)	Phillips Flat Head
P/N	Part Number
PPH (Fastener)	Phillips Pan Head
PTH (Fastener)	Phillips Truss Head
PTO	Power Take-Off
QKS	Quick Slide
qt	quart
RH	Right Hand (orientated with operator on seat)
SAE (Fastener)	Society of Automotive Engineers
SBH (Fastener)	Socket Button Head (Bolt)
SD	Side Discharge
SFH (Fastener)	Slotted Flat Head
SHC (Fastener)	Socket Head Cap
SHL (Fastener)	Shoulder (Bolt)
SM (Fastener)	Sheet Metal (Screw)
S/N	Serial Number
Spg	Spring
SQH (Fastener)	Square Head
SS (Fastener)	Stainless Steel
ST (Fastener)	Self-Tapping (Screw)
Term	Terminal
V	Volts

**NOTE:** In some instances, combinations of abbreviations may be used (e.g. PPHMS - Phillips Pan Head Machine Screw).

# ILLUSTRATED PARTS LIST

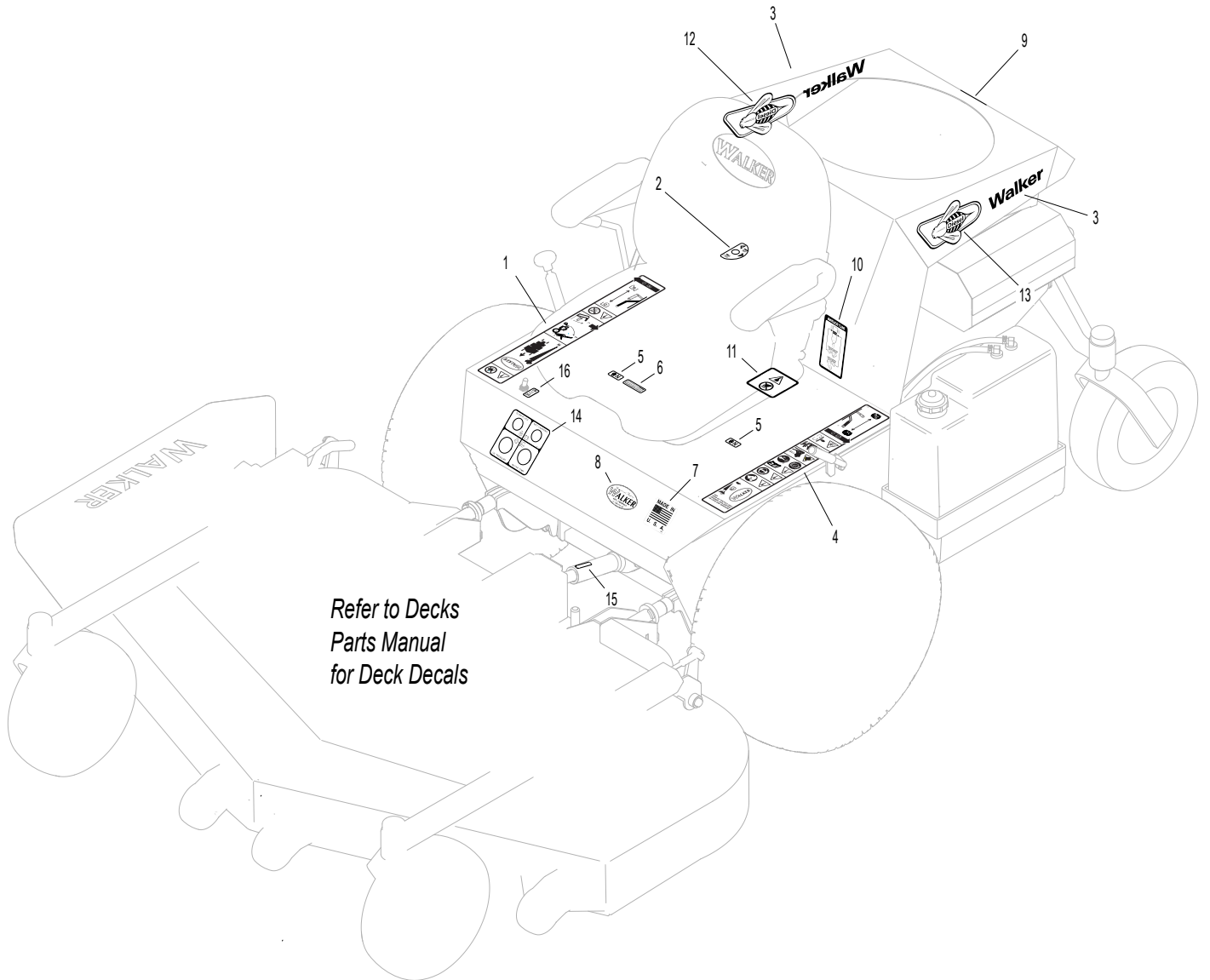
<i>Section of Mower Covered</i>	<i>Page</i>	<i>Section of Mower Covered</i>	<i>Page</i>
<b>Decals</b>		<b>Electrical Components</b>	
Tractor Decals .....	2	Electrical Assembly .....	16
<b>Body / Chassis Assemblies</b>		<b>Maintenance</b>	
Body / Chassis Assembly .....	4	Lubrication Points .....	18
<b>Tractor Components</b>		Wiring Schematic .....	20
Main Component Power Transmission .....	6	Electrical Assembly (Connections) .....	22
Engine Group .....	8	<b>Operator's Notes</b> .....	23
Radiator Group .....	10	<b>Warranty</b>	
Hydrostatic Ground Drive Assemblies .....	12	Limited Warranty .....	25
Steering Control Assemblies .....	14		

# TRACTOR DECALS

ITEM NO.	PART NO.	DESCRIPTION	LOCATION	NO. REQ'D SD
<b>Walker Product and Operation Decals</b>				
1	2802-4	RH Fender	Body, RH near Seat	1
2	2010-17	Fuel Transfer	Transfer Mount, RH	1
3	5800-6	Decal, Walker 6-3/4"	Rear Body (one on each side)	2
4	2802-5	LH Fender	Body, LH near Seat	1
5	9804-1	Axle Lockout	Hydro Mount Plate	2
6	2351-8	Decal, Belt Tensioner	Hydro Mount Plate	1
7	5856	Made in USA	Body	1
8	5803	Walker Manufacturing Logo	Body	1
<b>Danger Decals Warning Decals Caution Decals</b>				
9	5815	Body Lift	Rear Body	1
10	2107-4	Decal, Belt Routing	Rear Body, Underside	1
11	8600-2	Danger, Rotating Components	Air Cleaner Bracket	1
<b>Maintenance Decals</b>				
12	2105-4	RH Decal, 23.6 HP	Rear Body, RH Side	1
13	2105-5	LH Decal, 23.6 HP	Rear Body, LH Side	1
14	2807-4	Decal, Oil Pres./Head Temp.	Body	1
15	6875	PTO Alignment Arrow	Universal Joint Tube Assembly	1
<b>Option Decals (applied only to units with corresponding Options installed)</b>				
16	5877	Lights, On-Off	Body	1

**NOTE:** All parts requiring decals are shipped with decals applied.

# TRACTOR DECALS



# BODY / CHASSIS ASSEMBLY

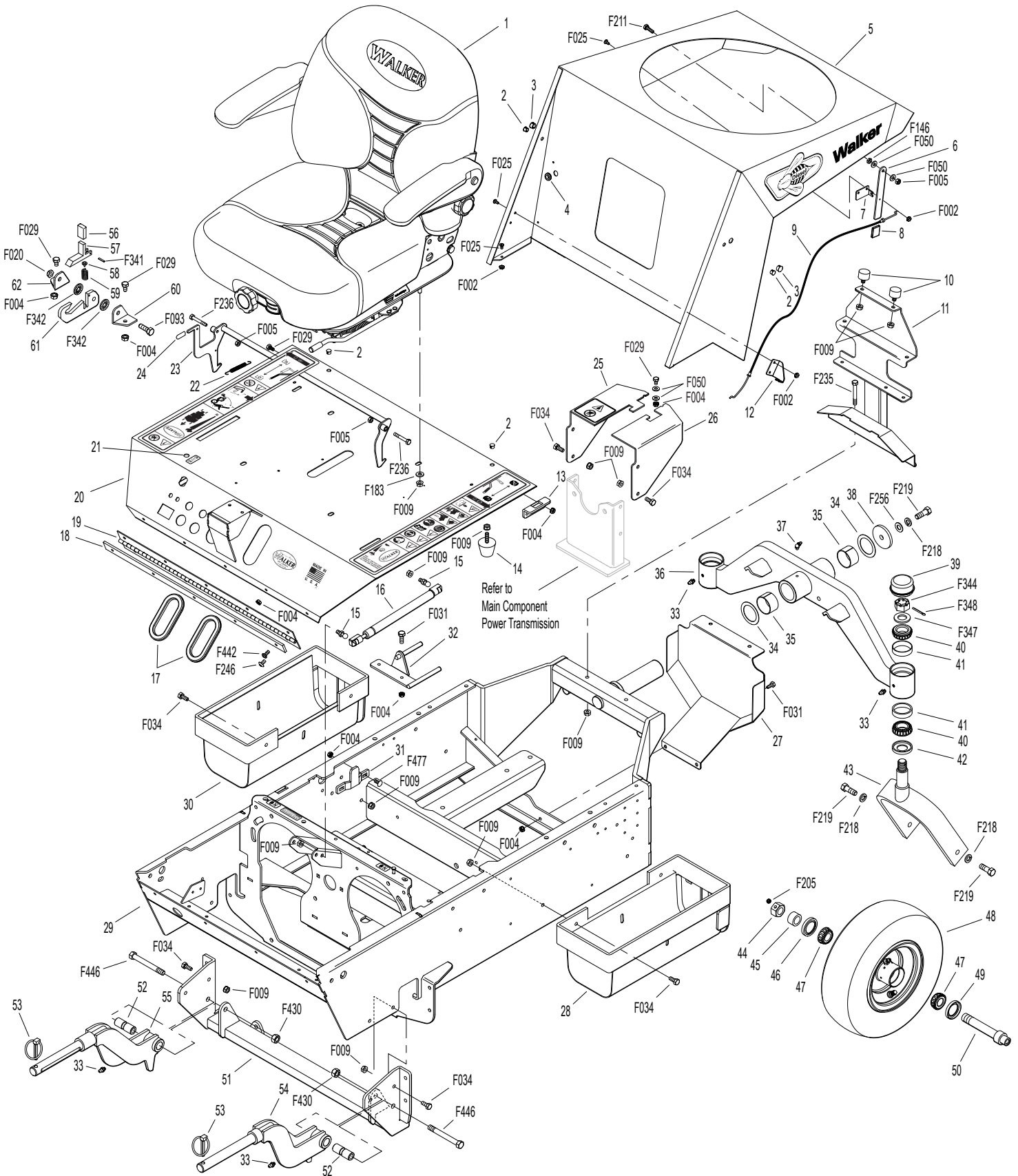
ITEM NO.	PART NO.	DESCRIPTION	NO. REQ'D	ITEM NO.	PART NO.	DESCRIPTION	NO. REQ'D
<b>Body &amp; Seat Assembly</b>				48	8035	Tail Wheel & Tire (13 x 5.00-6) (W/Bearing Race)	2
1	2103-1	Seat	1	49	8037-1	Seal, Outer (1-3/4 x 1-1/8)	2
2	5989-4	Dome Plug (3/8)	4	50	7038	Tail Wheel Axle (3/4 x 5-9/16)	2
3	5989-55	Dome Plug (1/2)	2	<b>Deck Support Arm &amp; Hitch Assemblies</b>			
4	5976	Grommet (3/8 x 11/16)	1	51	2300-9	Deck Arm Support Mount	1
5	2106	Rear Body, MBSY	1	52	6840-1	Support Arm Bushing (2-1/16)	2
6	2106-3	Body Release Latch	1	53	2775	Lynch Pin (5/16 x 1-1/4)	2
7	2106-2	Body Latch Support, MBSY	1	54	2431	Deck Support Arm, LH (Includes Item # 33)	1
8	2106-4	Plastic Tip, Body Latch	1	55	2430	Deck Support Arm, RH (Includes Item # 33)	1
9	2109-1	Body Latch Cable	1	<b>Tilt-Up Latch Assembly*</b>			
10	4845	Rubber Bumper (1.0 x .625)	2	56	5847	Plastic Tip	1
11	2303-2	Rear Radiator Mount	1	57	5744-20	Spring Arm, Tilt-Up Latch	1
12	2106-1	Body Latch, MBSY	1	58	5744-10	Spring Pivot Bushing	1
13	4102-1	Body Guide, Upper	1	59	5744-15	Compression Spring (3/8 x 5/8)	1
14	5845	Rubber Bumper (1.50 x 1.25)	2	60	5744-13	Mount Angle, LH	1
15	5146	10mm Ball Stud	2	61	5744-12	Hook, Tilt-Up Latch	1
16	2145	Gas Spring	1	62	5744-14	Mount Angle, RH	1
17	5180	Edge Molding, Lever Opening	2	<b>Fasteners</b>			
18	2100-3	Front Body Doubler	1	F002	10-24 Keps Nut		9
19	2504-4	Hinge (22.5)	1	F004	1/4-20 Keps Nut		16
20	2101	Front Body, MBSY	1	F005	1/4-20 ESNA Nut		3
21	5989-5	Dome Plug (7/16)	1	F009	5/16-18 Whiz Locknut		22
22	7222	Extension Spring (1/4 x 3)	1	F020	5/16-18 ESNA Nut		1
23	2383	Body Latch Hook	1	F025	10-24 x 3/8 PPHMS		10
24	7854	Plastic Tip, Red	1	F029	1/4-20 x 1/2 Hex Bolt		5
<b>Chassis Assembly</b>				F031	1/4-20 x 5/8 Hex Bolt		4
25	2010-12	Flex Coupling Guard, RH	1	F034	5/16-18 x 3/4 Hex Bolt		8
26	2010-13	Flex Coupling Guard, LH	1	F050	1/4 SAE Washer		4
27	2303-4	Lower Flywheel Cover	1	F093	5/16-18 x 1 Hex Bolt		1
28	2046-1	Gas Tank Mount, LH	1	F146	1/4-20 Jam Nut		1
29	2300-4	Chassis Frame, MBSY	1	F183	.312 x .700 x .074 Washer		4
30	2046	Gas Tank Mount	1	F205	5/16-18 x 1/4 Set Screw (Knurl Point)		2
31	4102-2	Body Guide, Lower	1	F211	1/4-20 x 7/8 Hex Bolt		1
32	2325-8	Belt Guide	1	F218	7/16 Split Lock Washer		3
<b>Tail Wheel Assembly</b>				F219	7/16-14 x 1-1/4 Hex Bolt		3
33	5830	Grease Fitting	4	F235	5/16-18 x 2-1/2 Hex Bolt		2
34	2201-2	Fiberglide Thrust Washer	2	F236	1/4-20 x 1-3/4 Hex Bolt		2
35	2201-3	Fiberglide Bearing (1-5/8)	2	F246	1/4-20 x 1/2 PTHMS		4
36	2300-6	Tail Wheel Pivot (Includes Items # 33, 35 & 37)	1	F256	7/16 SAE Washer		1
37	5830-3	Grease Fitting (45 Deg.)	1	F341	Coil Roll Pin (7/64 x 9/16)		1
38	2201-4	Washer (2-1/4 x 7/16 x 1/4 Thk)	1	F342	5/16 Conical Washer		2
39	8769-8	Dust Cap, Deck Caster	2	F344	3/4-16 Slotted Hex Nut		2
40	8769-6	Bearing Cone (1" ID)	4	F347	3/4 SAE Washer		2
41	8769-5	Bearing Cup (2 x 1-5/8)	4	F348	1/8 x 1-1/2 Cotter Pin		2
42	8769-7	Seal	2	F430	7/16-20 ESNA Nut		2
43	2770	Caster Wheel Fork	2	F442	1/4-20 x 5/8 PTHMS		5
44	8039	Nut, Tail Wheel Axle	2	F446	7/16-20 x 3-1/2 Grd 8 Bolt		2
45	8038-1	Spacer, Tail Wheel Axle (.750 x ID x 1.125 OD)	2	F477	1/4-20 x 5/8 Carriage Bolt		2
46	8768-2	Seal, Reverse Lip	2	* Complete Tilt-Up Latch Assembly Kit available by ordering kit # 5747.			
47	8037	Bearing Cone (3/4 ID)	4				

Beginning S/N 112057

Effective Date 05-23-11

Use only genuine Walker® replacement parts.

# BODY / CHASSIS ASSEMBLY



Beginning S/N 112057  
 Effective Date 05-23-11  
 Use only genuine Walker® replacement parts.

# MAIN COMPONENT POWER TRANSMISSION

ITEM NO.	PART NO.	DESCRIPTION	NO. REQ'D	ITEM NO.	PART NO.	DESCRIPTION	NO. REQ'D
<b>PTO Drive Assembly</b>				<b>Fasteners</b>			
1	4850	Handle Grip, Black	1	F004		1/4-20 Keps Nut	5
2	2358-1	Clutch Lever, MBS (Includes Items # 1 & 3)	1	F008		5/16-24 Keps Nut	1
3	5830-3	Grease Fitting (45 Deg.)	3	F009		5/16-18 Whiz Locknut	12
4	4303-7	Clutch Actuator Bolt (5/16)	1	F010		5/16-24 ESNA Nut	1
5	2306-2	Oilite Flanged Bushing	2	F012		3/8-16 Keps Nut	1
6	5830	Grease Fitting	1	F013		3/8-16 Whiz Locknut	3
7	2325-7	Clutch Arm (Includes Items # 5 & 6)	1	F029		1/4-20 x 1/2 Hex Bolt	1
8	5221-1	Extension Spring (3/4 x 5)	1	F031		1/4-20 x 5/8 Hex Bolt	13
9	2358-11	Clutch Actuator	1	F034		5/16-18 x 3/4 Hex Bolt	9
10	5214-13	Ball Joint (3/8)	2	F035		5/16-18 x 1-1/4 Hex Bolt	2
11	2358-9	Clutch Pivot Base	1	F039		3/8-16 x 1-1/4 Hex Bolt	1
12	2358-8	Adjustor Brace	1	F051		3/8 SAE Washer	2
13	7775-6	Wire Lock Pin (2-1/2")	3	F058		1/4 Wave Spring Washer	6
14	2302-4	Right Hand Shoe	1	F060		AN960516 Washer	2
15	2302-7	Upper Shoe, LH	1	F061		1/4 Star Lock Washer	1
16	2302-3	Left Hand Shoe	1	F069		3/32 x 1/2 Cotter Pin	1
17	2349-7	Bearing Mount	1	F091		5/16-18 x 5/8 Hex Bolt	1
18	2406-5	Spacer	1	F104		1/4-20 x 3/4 PFH Bolt	2
19	2236-5	PTO Pulley (4.5/AAA)	1	F120		AN960416 Washer	8
20	2359-1	Brake Band / Guard Mount	1	F146		1/4-20 Jam Nut	1
21	7775-8	Wire Lock Pin (4")	1	F149		1/4 x 1/4 x 1-1/2 Key	1
22	2302-5	PTO Shoe	1	F168		5/16 Split Lock Washer	1
23	7275-9	Quick Coupler Installation Tool	**	F170		5/16 x 1 x 7/64 Flat Washer (Zinc Plate)	1
24	7275-16	Universal Joint Tube Assembly / Spline	1	F171		5/16-18 x 3/8 Set Screw	1
25	2274-10	PTO Drive Shaft Assembly	*	F178		1/4 x 1 Fender Washer	1
26	2302-6	Shoe Mount, LH	2	F182		1/4 x 5/8 x 1/8 Washer	1
27	2358-7	Clutch / Pivot Stop MBSSD	1	F183		.312 x .700 x .074 Washer	4
28	7523-2	Clevis Pin W/Hole (1/4 x 5/8)	1	F211		1/4-20 x 7/8 Hex Bolt	1
29	4359-2	Brake Band Link, Rear	1	F217		7/16-14 Hex Nut	2
30	8304	Brake Band (14-1/2)	1	F218		7/16 Split Lock Washer	2
31	4359-1	Brake Band Link, Front	1	F219		7/16-14 x 1-1/4 Hex Bolt	2
32	2410-2	Drive Shaft	1	F241		.375 x .875 x .10 Washer	1
33	2265	Bearing (20mm)	4	F255		5/16-18 x 1-1/2 Hex Bolt	4
34	2406-7	Pivot Shaft Spacer	1	F298		3/8-24 Jam Nut	2
35	2236-1	Idler Pulley (4.5/AAA)	2	F350		1/4-20 LP Nylock	9
36	2230	Engine PTO Belt / Set (3)	1	F389		3/8-16 x 2-3/4 Hex Bolt	1
37	2236-6	Pulley (Includes Items # F149 & F171)	1	F431		1/4-20 x 3-1/2 Hex Bolt	1
38	2236-4	Idler Pulley Shaft	1	F435		1/4 x 1/4 x 1-1/4 Key	2
39	7201-3	Fiberglide Bearing	2	F450		Washer 5/8 x 1-3/4 x 1/4	1
40	7201-9	Inner Race	1	F452		5/8-18 Nylon Locknut	1
41	2359-2	Clutch Engagement (Includes Items # 3 & 39)	1	F473		5/16-18 x 5 Hex Bolt	1
42	2349-6	Flanged Bearing	1	F476		3/8-16 x 6-1/2 Hex Bolt	1
43	4302-2	Shoe Mount	1	F484		Washer .370 ID x 1.0 OD x .120	2
44	2358-12	Fiberglide Bushing	1				
45	7201-2	Fiberglide Bearing 1/2"	1				
46	7377	Plastic Washer (1 x .438 x .025)	2				
47	7378	Pivot Bearing (7/16 x 9/16)	1				
48	5214-2	Ball Joint (5/16-24) (Nylon Lined)	1				
49	7226	Compression Spring (3/4 x 2-1/2)	1				
50	7380	Knuckle Joint	1				

\* Service Part Only

\*\* The Quick Coupler Installation Tool is used to assist the installation of the Quick Coupler Tube and PTO Shaft connection by holding the disconnect ring in the retracted position when joined to the tractor spline shaft on the PTO Drive Shaft.

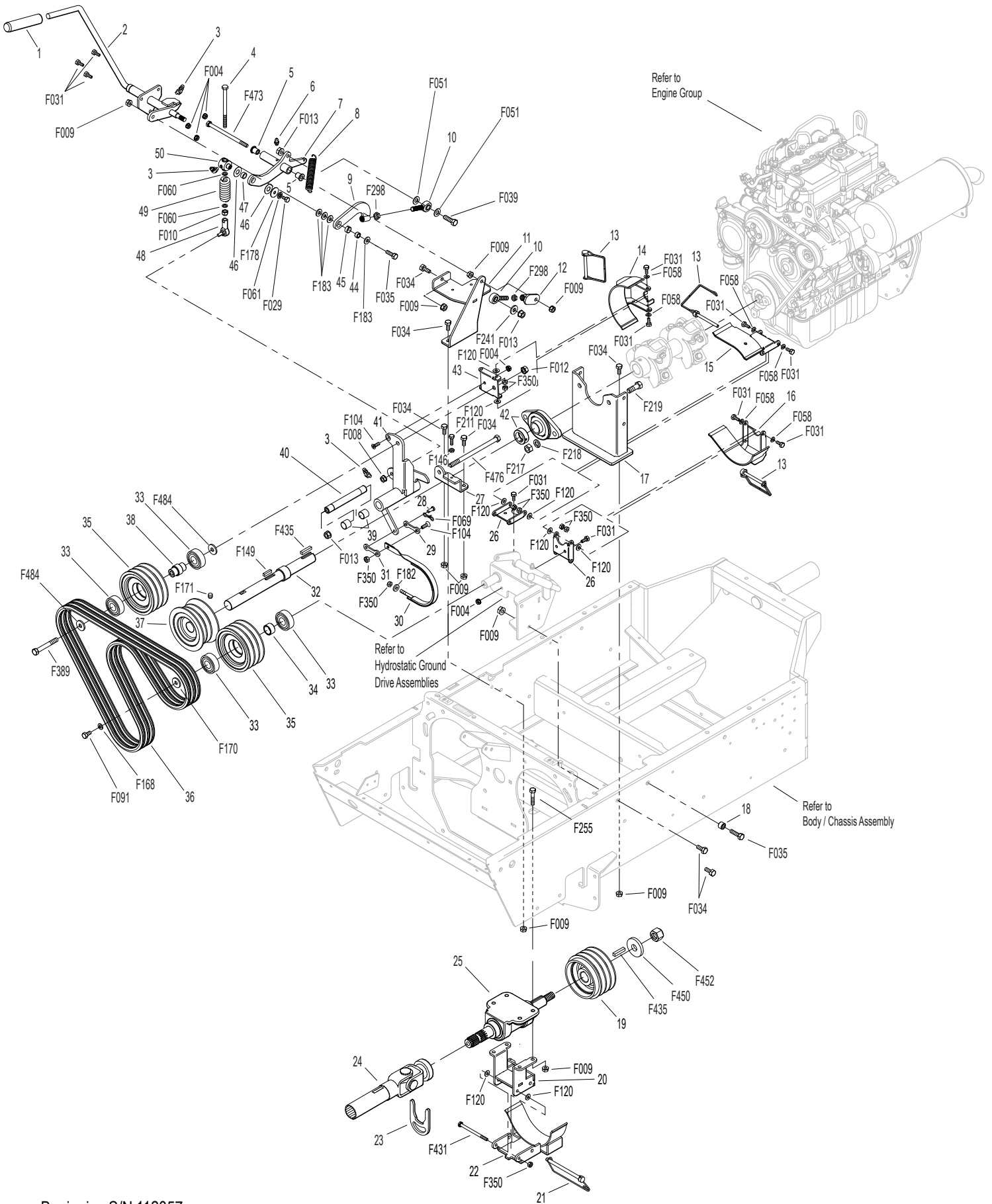
Beginning S/N 112057

Effective Date 05-23-11

Use only genuine **Walker**® replacement parts.



# MAIN COMPONENT POWER TRANSMISSION



Beginning S/N 112057  
 Effective Date 05-23-11  
 Use only genuine **Walker**® replacement parts.

# ENGINE GROUP

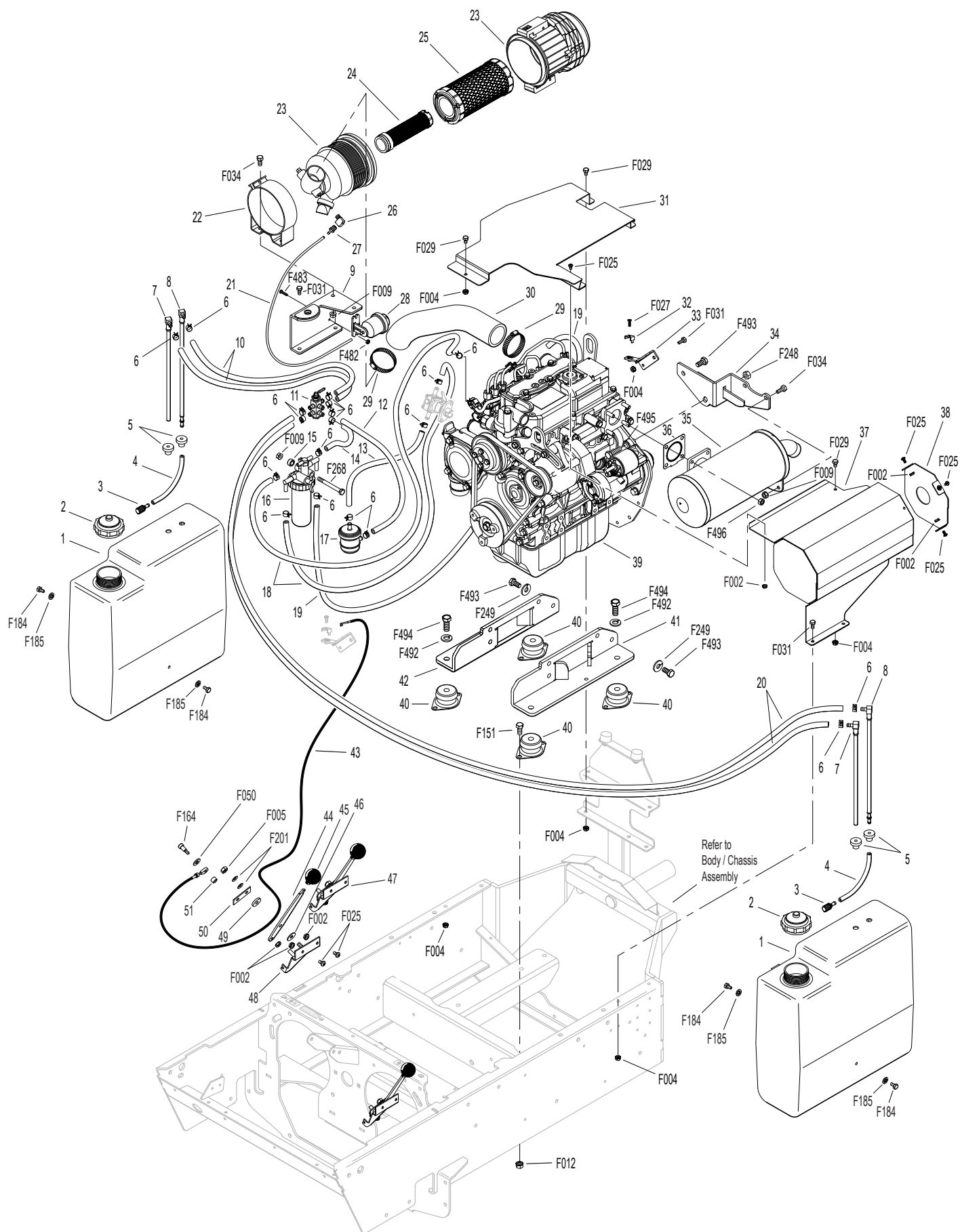
ITEM NO.	PART NO.	DESCRIPTION	NO. REQ'D	ITEM NO.	PART NO.	DESCRIPTION	NO. REQ'D
<b>Fuel Tank Assembly</b>				38	2303-6	Muffler, Back Cover	1
1	8046-3	Fuel Tank, 4.7 Gallon (Includes Items # 5 & 6)	2	39	NS	23.6 HP Engine (Yanmar)	1
2	7082-1	Fuel Tank Cap, Diesel	2	40	7440-9	Motor Mount	4
3	5020-2	Fuel Filter, In Tank	2	41	2354-1	Motor Mount, LH	1
4	5086-7	Hose (1/4 x 6)	2	42	2354-2	Motor Mount, RH	1
5	5083-1	Bushing, Rubber	4	<b>Throttle Assembly</b>			
6	5879-3	Hose Clamp (1/2)	19	43	2108-4	Control Cable (68")	1
7	7046-1	Fuel Return Tube	2	44	5108-1	Control Lever, Throttle / Choke	1
8	5083-8	Tank Tube (13")	2	45	5108-5	Throttle Control Knob, Red	1
9	2088-8	Air Cleaner Mount, Fuel Transfer	1	46	5108-11	Friction Washer (.062)	1
10	M246	Fuel Line (1/4 x 16-1/2")	2*	47	2108-5	Throttle Control and Cable Assembly (Includes Items # 43-46, 48-51, F002, F005, F050, F164 & F201)	1
11	2010-6	Fuel Valve	1	48	5108-8	Control Bracket	1
12	M246	Fuel Line (1/4 x 14-1/2")	1*	49	5108-10	Friction Washer (.125)	1
13	M246	Fuel Line (1/4 x 2-3/4")	1*	50	5108-7	Control Lock Tab	1
14	M246	Fuel Line (1/4 x 10")	1*	51	5172	Bearing, Delrin (.255 ID x .379 OD x .250)	1
15	6325-2	Spacer Bushing (5/16)	1	<b>Fasteners</b>			
16	NS	Filter and Valve (Yanmar P/N 129053-55620)	1	F002	10-24 Keps Nut		6
17	NS	Fuel Filter (Yanmar P/N 129052-55630)	1	F004	1/4-20 Keps Nut		11
18	M246	Fuel Line (1/4 x 20-1/2")	2*	F005	1/4-20 ESNA Nut		1
19	M246	Fuel Line (1/4 x 24")	1*	F009	5/16-18 Whiz Locknut		5
20	M246	Fuel Line (1/4 x 44-1/2")	2*	F012	3/8-16 Keps Nut		8
<b>Precleaner Assembly</b>				F025	10-24 x 3/8 PPHMS		6
21	M258	Vacuum Hose (9")	1*	F027	10-24 x 5/8 PPHMS		1
22	NS	Air Cleaner Band	1	F029	1/4-20 x 1/2 Hex Bolt		3
23	2088-9	Air Cleaner Assembly, MBSY (Includes Items # 22-25)	1	F031	1/4-20 x 5/8 Hex Bolt		8
24	5090-3	Safety Filter Insert	1	F034	5/16-18 x 3/4 Hex Bolt		4
25	5090-1	Air Cleaner Cartridge	1	F050	1/4 SAE Washer		1
26	5091-9	Street Elbow 90' (1/8 x 1/8)	1	F151	3/8-16 x 7/8 Hex Bolt		8
27	5091-0	1/8 Pipe Thread Male W/Barb	1	F164	10-24 x 1/4 x 3/8 SHL Bolt		1
28	5091-6	Air Flow Indicator W/Bracket	1	F184	1/4-20 x 1/2 Hex Bolt, SS		4
29	7840	Hose Clamp (1-5/16 to 2-1/4)	2	F185	1/4 Internal Star Lock Washer, SS		4
30	2017	Air Inlet Hose	1	F201	1/4 Belleville Spring Washer		2
<b>Engine Assembly</b>				F248	M10 x 1.5 Hex Nut		1
31	2303	Engine Cover	1	F249	M10 Split Lock Washer		8
32	2832	Cable Clamp	1	F268	5/16-18 x 3 Hex Bolt		1
33	2341	Cable Mount	1	F482	8-32 Nylock Nut		1
34	2303-3	Muffler Brace	1	F483	8-32 x 3/4 PPHMS		1
35	2013	Muffler, MBSY (End S/N 115032)	1	F492	M12 Split Lock Washer		4
	2013-1	Muffler, MBSY (Start S/N 115033)	1	F493	M10-1.5 x 20 Hex Bolt		9
36	NS	Gasket (Yanmar P/N 119515-13200)	1	F494	M12-1.75 x 30 Hex Bolt		4
37	2303-5	Muffler Cover (End S/N 115032)	1	F495	M10-1.5 x 35 Hex Bolt		1
	2303-7	Muffler Cover (Start S/N 115033)	1	F496	M8 x 1.25 Nut		4

\* **Required hose specifications:**  
M246 - 1/4" ID low permeation (<15g/m<sup>2</sup>/day) fuel hose  
(Parker 38904 or equivalent)  
M258 - 7/64" ID automotive vacuum hose

Beginning S/N 112057  
Effective Date 05-23-11

Use only genuine **Walker**<sup>®</sup> replacement parts.

# ENGINE GROUP

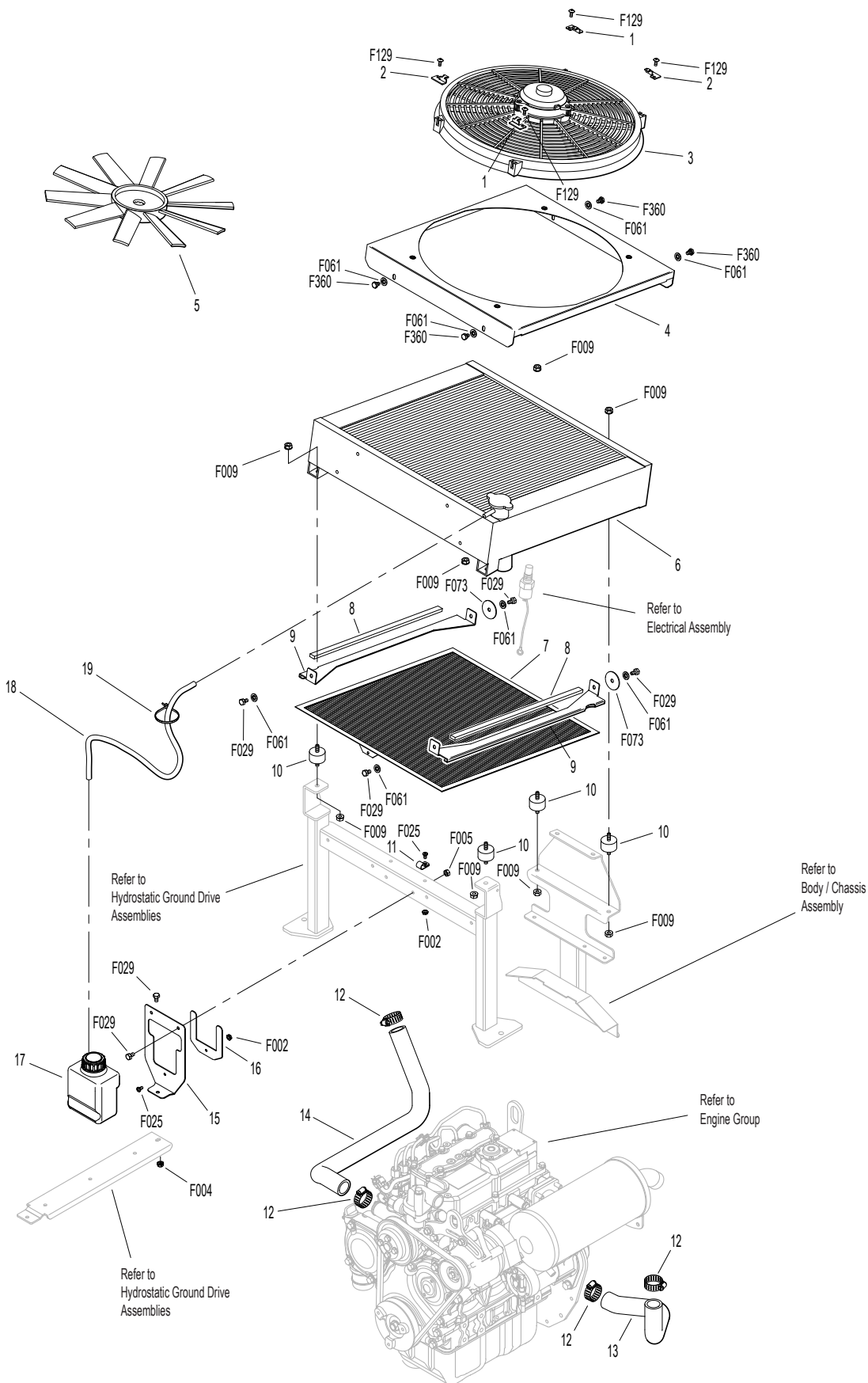


Beginning S/N 112057  
Effective Date 05-23-11  
Use only genuine Walker® replacement parts.

# RADIATOR GROUP

ITEM NO.	PART NO.	DESCRIPTION	NO. REQ'D	ITEM NO.	PART NO.	DESCRIPTION	NO. REQ'D
<b>Radiator Assembly</b>				<b>Fasteners</b>			
1	7427-22	Fan Mount Tab, RH	2	F002		10-24 Keps Nut	2
2	7427-21	Fan Mount Tab, LH	2	F004		1/4-20 Keps Nut	1
3	7429-6	Radiator Cooling Fan	*	F005		1/4-20 ESNA Nut	2
4	2427-4	Radiator Fan Shroud, MBSY	1	F009		5/16-18 Whiz Locknut	8
5	7429-7	Fan Blade Replacement	*	F025		10-24 x 3/8 PPHMS	2
6	2427-1	Radiator, MBSY	1	F029		1/4-20 x 1/2 Hex Bolt	7
7	2425	Radiator Screen, MBSY	1	F061		1/4 Internal Star Lock Washer	8
8	7431-2	Radiator Channel Seal	2	F073		1/4 x 1.5 Fender Washer	2
9	2426	Screen Channel	2	F129		10-24 x 1/2 PTHMS	4
10	7440-5	Shock Mount (1-1/4 x 3/4)	4	F360		1/4-20 x 3/8 Hex Bolt	4
11	5832	Cable Clamp (1/2)	1				
12	7840-4	Hose Clamp (3/4 to 1-1/2)	4	*		Service Part Only	
13	2017-1	Radiator Hose, Inlet	1				
14	2017-2	Radiator Hose, Outlet	1				
15	2427-3	Recovery Tank Mount	1				
16	2427-2	Recovery Tank Keeper	1				
17	7427-3	Coolant Recovery Tank	1				
18	7015-19	Recovery Tank Hose (5/16 x 20)	1				
19	5975-3	Cable Tie (50# x 7")	1				

# RADIATOR GROUP



Beginning S/N 112057  
 Effective Date 05-23-11  
 Use only genuine **Walker**® replacement parts.

# HYDROSTATIC GROUND DRIVE ASSEMBLIES

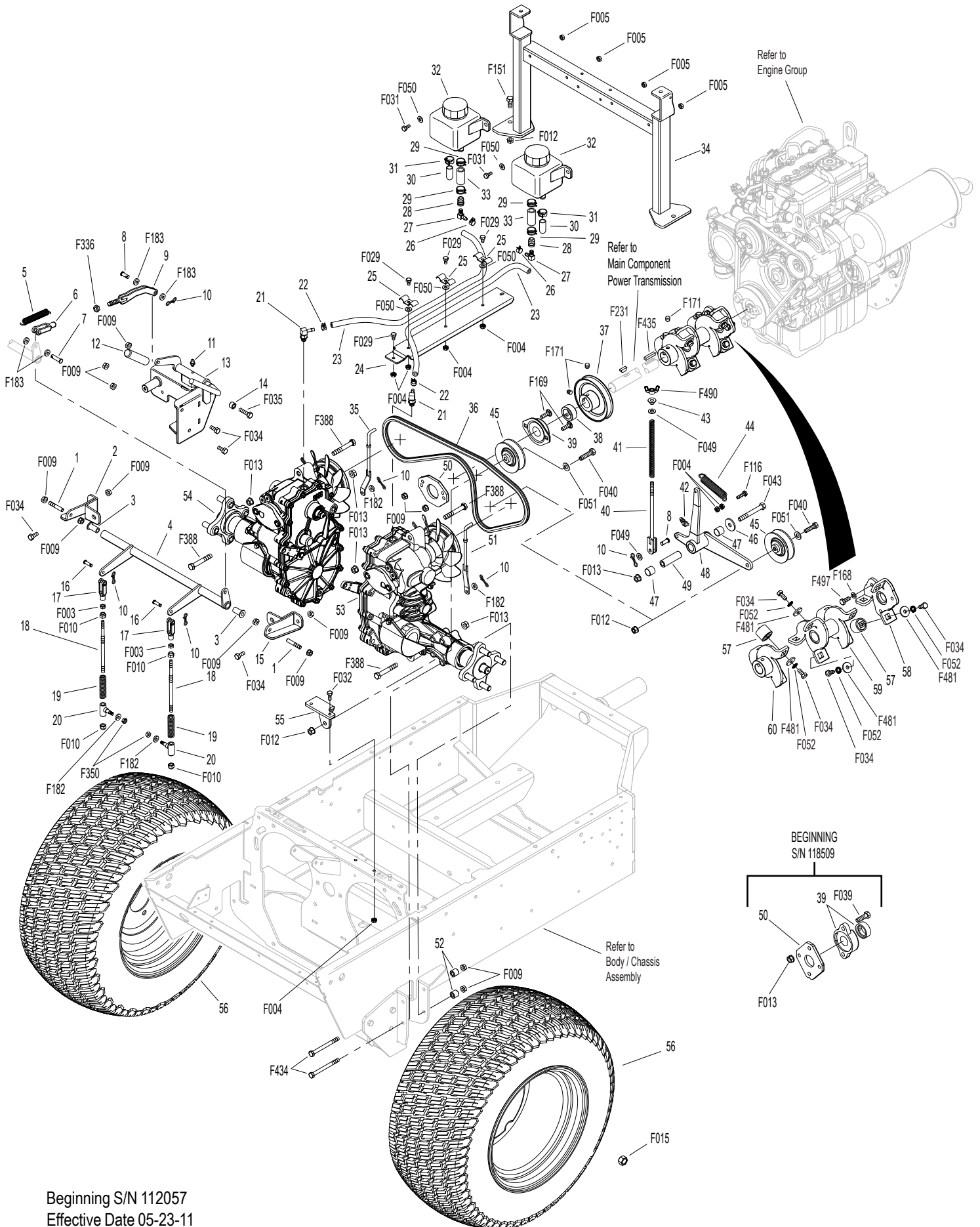
ITEM NO.	PART NO.	DESCRIPTION	NO. REQ'D	ITEM NO.	PART NO.	DESCRIPTION	NO. REQ'D
<b>Parking Brake Assembly</b>				49	7201-5	Inner Race (2-1/4)	1
1	2358-6	5/16-18 x 1-3/4 Stud	2	50	2300-5	Spring Mount Plate (Prior to S/N 118509)	1
2	2300-2	Parking Brake Hydro Mount, RH	1		2300-7	Spring Mount Plate (Beginning S/N 118509)	1
3	5103-2	Pivot Bushing (5/16 ID)	2	51	2028-3	Hydro Lockout Rod, LH	1
4	2406-3	Parking Brake Actuator Tube	1	52	9430-1	Spacer Tube	4
5	5222	Extension Spring (1/2 x 3-1/4)	1	53	2025-13	Hydro-Gear ZT3400, LH	1
6	2280	Clevis (3/8)	1	54	2026-13	Hydro-Gear ZT3400, RH	1
7	2406-4	Clevis Pin (5/16 x 1-1/8)	1	55	2349-9	Idler Mount	1
8	8655-4	Clevis Pin (5/16 x 3/4)	2	<b>Wheel Assembly</b>			
9	2406-1	Brake Actuator Pull	1	56	2071	Wheel & Tire (22 x 10.50-12)	2
10	4407-4	Bow Tie Cotter Pin	6	<b>PTO Coupler</b>			
11	5830-4	Grease Fitting (90 Deg.)	1	57	2351-1	Rubber Iso Coupler	6
12	7406-1	Handle Grip, Red	1	58	2351-5	Flex Coupler	1
13	2406-8	Parking Brake Lever Idler Mount (Includes Items # 11 & 12)	1	59	2351-6	Inner Flex Coupler	1
14	2406-5	Spacer	1	60	2351-3	Flex Coupler Half (Includes Items # F171 & F435)	1
15	2300-1	Parking Brake Hydro Mount, LH	1	<b>Fasteners</b>			
16	5281-5	Clevis Pin (1/4 x 0.80)	2	F003	1/4-28 Hex Nut		2
17	5280	Clevis (1/4)	2	F004	1/4-20 Keps Nut		9
18	2406-2	Parking Brake Rod	2	F005	1/4-20 ESNA Nut		4
19	5665-1	Compression Spring (2-1/2)	2	F009	5/16-18 Whiz Locknut		13
20	5463	Steering Lever Actuator	2	F010	5/16-24 ESNA Nut		4
<b>Transaxle Reservoir Assemblies</b>				F012	3/8-16 Keps Nut		4
21	2025-17	Straight Thread Hose Fit	2	F013	3/8-16 Whiz Locknut		7
22	5879-4	Hose Clamp (7/16)	2	F015	1/2-20 Wheel Lug Nut		8
23	5086-15	Hose (1/4 x 23)	2	F029	1/4-20 x 1/2 Hex Bolt		4
24	2025-14	Hose Channel	1	F031	1/4-20 x 5/8 Hex Bolt		4
25	6836-1	Clamp, Double (1/2 x 1/2)	3	F032	1/4-20 x 3/4 Hex Bolt		2
26	5879-3	Hose Clamp (1/2)	2	F034	5/16-18 x 3/4 Hex Bolt		16
27	4024-1	Oil Expansion Reservoir Elbow	2	F035	5/16-18 x 1-1/4 Hex Bolt		1
28	2010-9	Hose Reducer (1/2-1/4)	2	F039	3/8-16 x 1-1/4 Hex Bolt		2
29	5879-8	Hose Clamp (13/16)	4	F040	3/8-16 x 1-1/2 Hex Bolt		2
30	2025-8	Reservoir Bottom Caps	2	F043	3/8-16 x 3 Hex Bolt		1
31	5879-7	Hose Clamp (5/8)	2	F049	5/16 SAE Washer		2
32	2025-1	Oil Expansion Reservoir	2	F050	1/4 SAE Washer		7
33	5087-1	Hose (1/2 x 1-3/4)	2	F051	3/8 SAE Washer		2
34	2303-1	Front Radiator Mount	1	F052	5/16 Ext. Star Lock Washer		12
<b>Ground Drive Assemblies</b>				F116	1/4-20 x 1-1/4 Hex Bolt		1
35	2028-4	Hydro Lockout Rod, RH	1	F151	3/8-16 x 7/8 Hex Bolt		2
36	2248	Ground Drive Belt	1	F168	5/16 Split Lock Washer		3
37	2240-2	Drive Pulley (Includes Item # F171)	1	F169	5/16-18 x 1 Carriage Bolt		2
38	5267	Retainer Collar (3/4)	1	F171	5/16-18 x 3/8 Set Screw		3
39	4349-6	Flanged Bearing (1") (Prior to S/N 118509)	1	F182	1/4 x 5/8 x 1/8 Washer		4
	4349-9	Flanged Bearing (1") (Beginning S/N 118509)	1	F183	.312 x .700 x .074 Washer		4
40	2349-8	Tensioner Rod	1	F231	1/4 x 3/4 Woodruff Key (#806)		1
41	7223-2	Compression Spring (1/2 x 6-1/2")	1	F336	3/8-16 Jam Nut		1
42	5830-3	Grease Fitting (45 Deg.)	1	F350	1/4-20 LP Nylock		2
43	2724-8	Tensioner Guide	1	F388	3/8-16 x 2-1/2 Hex Bolt		4
44	5221-1	Extension Spring (3/4 x 5)	1	F434	5/16-18 x 3-1/2 Hex Bolt		4
45	4245	Idler Pulley (3/A)	2	F435	1/4 x 1/4 x 1-1/4 Key		1
46	5841	Retainer Washer (3/8 x 1-1/4)	1	F481	Washer 5/16 x 7/8 x .125		12
47	7201-3	Fiberglide Bearing	2	F490	5/16-18 ESNA Wing Nut		1
48	2349-5	Hydro Idler Arm (Includes Items # 42 & 47)	1	F497	M8 x 20 Hex Bolt		3

Beginning S/N 112057

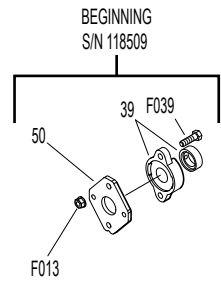
Effective Date 05-23-11

Use only genuine Walker® replacement parts.

# HYDROSTATIC GROUND DRIVE ASSEMBLIES



Beginning S/N 112057  
 Effective Date 05-23-11  
 Use only genuine Walker® replacement parts.



# STEERING CONTROL ASSEMBLIES

ITEM NO.	PART NO.	DESCRIPTION	NO. REQ'D	ITEM NO.	PART NO.	DESCRIPTION	NO. REQ'D
<b>Steering Lever &amp; FSC Assemblies</b>				<b>Transmission Spring Assemblies</b>			
1	5862	FSC Knob	1	39	4199	Transmission Spring Assembly (Includes Items # 40-46, F004, F211, F320 & F352)	*
2	4170	FSC Lever Assembly (Includes Item # 4)	*	40	4552	Ball Joint (1/4-28)	2
3	2170-1	Step Washer	1	41	5194	Plunger Sleeve	2
4	5830	Grease Fitting	1	42	5192-2	Spring Plunger (Female)	2
5	5214-5	Ball Joint (5/16-24/LH) W/O Stud	1	43	5193	Washer (3/4 x 1 x .085)	2
6	4213	Control Rod (6-1/4)	1	44	6191	Spring Slide (4-3/4)	2
7	5214-4	Ball Joint (5/16-24) W/O Stud	1	45	5195	Compress Spring (1 x 5-1/8)	2
8	5463-2	Steering Lever Actuator	2	46	6196	Spring Slide Cap	2
9	5665-1	Compression Spring (2-1/2)	2	<b>Fasteners</b>			
10	2213	Control Rod (7")	2				
11	2212-3	Seal Retainer	2				
12	2212	Transmission Control Arm Stop	2				
13	2212-2	Transmission Control Arm, RH	1	F003		1/4-28 Hex Nut	2
14	5214-2	Ball Joint (5/16-24) (Nylon Lined)	2	F004		1/4-20 Keps Nut	4
15	2212-1	Transmission Control Arm, LH	1	F005		1/4-20 ESNA Nut	2
16	2451-1	Steering Pivot Shaft With Stop	1	F008		5/16-24 Keps Nut	2
17	5830-3	Grease Fitting (45 Degree)	1	F009		5/16-18 Whiz Locknut	6
18	7201-2	Fiberglide Bearing (1/2")	2	F010		5/16-24 ESNA Nut	2
19	2463	Actuator Washer	2	F024		5/16-24 Jam Nut	3
20	8201-3	Fiberglide Bearing	4	F029		1/4-20 x 1/2 Hex Bolt	2
21	2451-5	Speed Control Actuator, LH (Includes Items # 17 & 20)	1	F035		5/16-18 x 1-1/4 Hex Bolt	1
22	5146	10mm Ball Stud	4	F044		5/16-24 x 3/4 Hex Bolt	2
23	2215-5	Steering Lever Dampener	2	F059		3/8 Wave Spring Washer	1
24	2451-6	Speed Control Actuator, RH (Includes Items # 20 & 25)	1	F093		5/16-18 x 1 Hex Bolt	2
25	5830-4	Grease Fitting (90 Deg.)	1	F121		5/16-18 x 3/8 x 1 SHL Bolt	1
26	4451-4	FSC Friction Actuator	1	F146		1/4-20 Jam Nut	2
27	4219	Extension Spring (3/4 x 6-1/2)	1	F167		5/16-18 Hex Nut	1
28	5850-2	Handle Grip, Foam (5-1/2)	2	F183		.312 x .700 x .074 Washer	6
29	5453-20	Steering Lever Handle (+1") Adjustable / SS (Includes Items # 28, F188, F198 & F345)	2	F188		1/4-20 Self-Locking Nut	4
30	4452-4	Steering Lever Tube W/Tab	2	F192		3/8-24 Self-Locking Nut	1
31	5450	D-Clip	2	F198		.250 x .625 x .040 Washer, SS	2
32	5222	Extension Spring (1/2 x 3-1/4)	2	F211		1/4-20 x 7/8 Hex Bolt	3
33	4452-6	Steering Pivot (1/4-20 x 1-5/8)	2	F320		1/8 x 3/4 Split Spring Pin	2
34	4142-1	FSC Cam	1	F345		1/4-20 x .770 Knurled Bolt	4
35	5141	FSC Friction Washer (1-1/2 x 3/8 x 1/16)	1	F352		5/32 x 1 Heavy Duty Roll Pin	2
36	4142-2	FSC Friction Washer (1-1/2 x 1-1/32 x 1/16)	1	F373		5/16-24 Hex Nut, LH	1
37	9704-3	Pivot Rod Bushing, Plastic	2	F385		1/4 x 1-1/4 Roll Pin	1
38	2451-4	Steering Shaft Spacer	1	F386		5/16-18 x 1-1/2 x 3/8 Shoulder Bolt	1
				F391		1/4-20 x 1/2 Set Screw, SS	2
				F407		Belleville Washer 3/8 x 1.187, SS	1
				F427		5/16-18 Flange Nut	1
				* Service Part Only			

Beginning S/N 112057

Effective Date 05-23-11

Use only genuine **Walker**® replacement parts.





# ELECTRICAL ASSEMBLY

ITEM NO.	PART NO.	DESCRIPTION	NO. REQ'D	ITEM NO.	PART NO.	DESCRIPTION	NO. REQ'D
<b>Electrical Assembly</b>				32	5942-4	PTO Safety Switch (NO)	1
1	6941-7	Relay Mount	*	33	7960-2	Ignition Switch W/Keys (Includes Items # 43, 44 & F349)	1
2	6941-6	Relay Switch 30/40 Amp	*	34	8536-2	Warning Horn Assembly	1
3	6105-3	Harness Clip	3	35	8996-2	Red Indicator Light Assembly (Includes Items # 36 & 37)	2
4	2940-4	Seat Switch Harness	1	36	8996-3	Indicator Bulb (Replacement for P/N 8996-2)	*
5	6942	Relay Switch 30/40 Amp (NC) (Includes Items # 1 & 2)	7	37	8996-4	Red Indicator Lens	2
6	7948-6	Time Delay Module	1	38	8990-1	Hourmeter (Sendec)	1
7	NS	Fuel Solenoid Assist Relay (Yanmar P/N 119650-77910)	1	39	8996-8	Glow Plug Light Assembly, Green	1
8	7306-11	Switch (205 Deg. 3/8-18 NPT)	1	40	8996-7	Charging Amp Light Assembly, Red	1
9	NS	Timer (Yanmar P/N 129211-77920)	1	41	7941-2	Circuit Breaker (10 Amp)	2
10	2940-10	Starter Wire (10")	1	42	7941-3	Boot, Circuit Breaker	2
11	2940-11	Alternator Wire	1	43	7854	Plastic Tip, Red	1
12	8941	Circuit Breaker (30 Amp) (Auto Reset/Sealed)	2	44	8960-3	Key Set W/Umbrella	1
13	8440-3	Jumper Wire	2	<b>Fasteners</b>			
14	7941	Circuit Breaker 40 Amp (Auto Reset/Sealed)	1	F002	10-24 Keps Nut		28
15	7433	Resistor, Ceramic / .4 OHM	1	F004	1/4-20 Keps Nut		2
16	NS	Safety Relay (Yanmar P/N 119247-77100 End S/N 115032) (Yanmar P/N 119802-77200 Start S/N 115033)	1	F009	5/16-18 Whiz Locknut		1
17	7428-2	Fan Control Module W/P Plug	1	F019	1/4-20 ESNA Wing Nut		2
18	2940-3	Battery Cable (14")	1	F025	10-24 x 3/8 PPHMS		3
19	2940-9	Ground Wire (8")	1	F026	10-24 x 1/2 PPHMS		25
20	5975-1	Cable Tie (18# x 3-3/4")	2	F031	1/4-20 x 5/8 Hex Bolt		2
21	5933	Battery Terminal Insl., Red (+)	1	F034	5/16-18 x 3/4 Hex Bolt		1
22	5844	Battery Hold-Down Bar	1	F050	1/4 SAE Washer		3
23	5839	Hook Bolt	2	F116	1/4-20 x 1-1/4 Hex Bolt		1
24	5932	Battery Terminal Insl., Blk (-)	1	F182	1/4 x 5/8 x 1/8 Washer		1
25	2940-2	Battery Cable (22")	1	F188	1/4-20 Self-Locking Nut		1
26	NS	Battery (12V/340CCA/Wet)	1	F232	10-32 Keps Nut		6
27	7833-2	Cable Clamp (1 x 1/4)	2	F349	Washer .835 ID 1.122 OD, SS		1
28	5833	Cable Clamp (1/4)	1	* Service Part Only			
29	5941-2	Safety Switch	1				
30	7948-2	Time Delay Harness	1				
31	2940-8	Wire Harness (End S/N 115032)	1				
	2940-14	Wire Harness (Start S/N 115033)	1				

Beginning S/N 112057

Effective Date 05-23-11

Use only genuine **Walker**® replacement parts.



# LUBRICATION POINTS

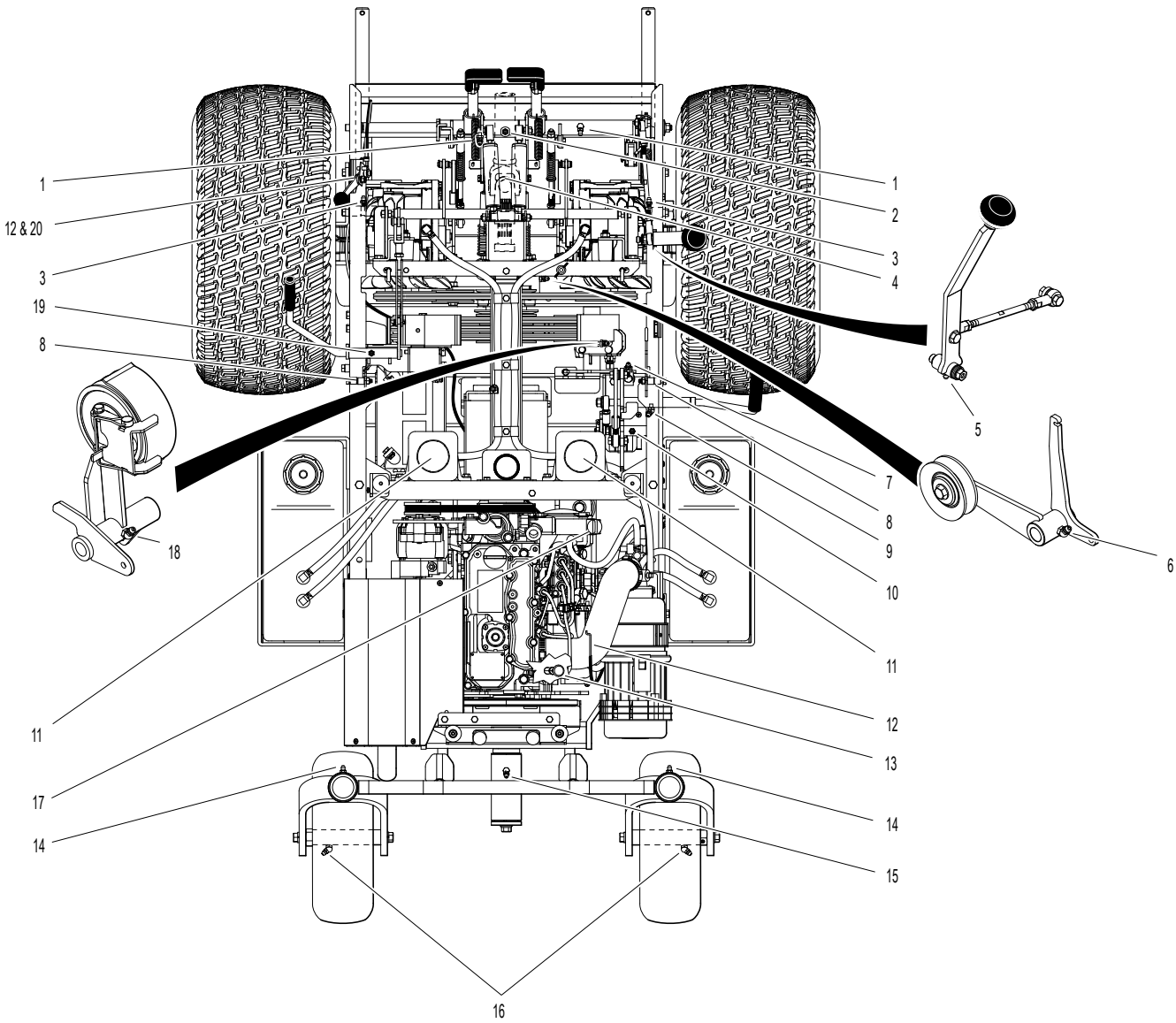
ITEM NO.	LOCATION	LUBRICATION TYPE	NO. PLACES	ITEM NO.	LOCATION	LUBRICATION TYPE	NO. PLACES
<b>Lubrication Points</b>							
1	Steering Lever Pivot	Grease	2	12	Throttle Control Cable Ends	Oil	2
2	Deck-to-PTO Coupling (Grease Spline Slide Area)	Grease	1	13	Engine Dipstick	Oil**	1
3	Deck Support Arm Pivot	Grease	2	14	Tail Wheel Caster Fork Pivot	Grease	2
4	Universal Joint Tube Assembly	Grease*	1	15	Rear Wheel Pivot	Grease	1
5	FSC Lever Pivot	Grease	1	16	Rear Wheel Bearing	Grease	2
6	Hydro Idler Arm Pivot	Grease	1	17	Engine / Oil Filler	Oil**	1
7	Clutch Actuator Push Rod	Grease	1	18	PTO Belt Tightener Pivot	Grease	1
8	Body Latch Pivot	Oil	2	19	Parking Brake Pivot	Grease	1
9	PTO Clutch Lever Pivot	Grease	1	20	Throttle Control Pivot	Oil	1
10	Clutch Arm Pivot	Grease	1				
11	Transaxle Oil Reservoir	Oil	2				

\* Grease every eight (8) hours.

\*\* Refer to MBSY **Operator's Manual** for procedure for checking and changing oil in Engine Crankcase.

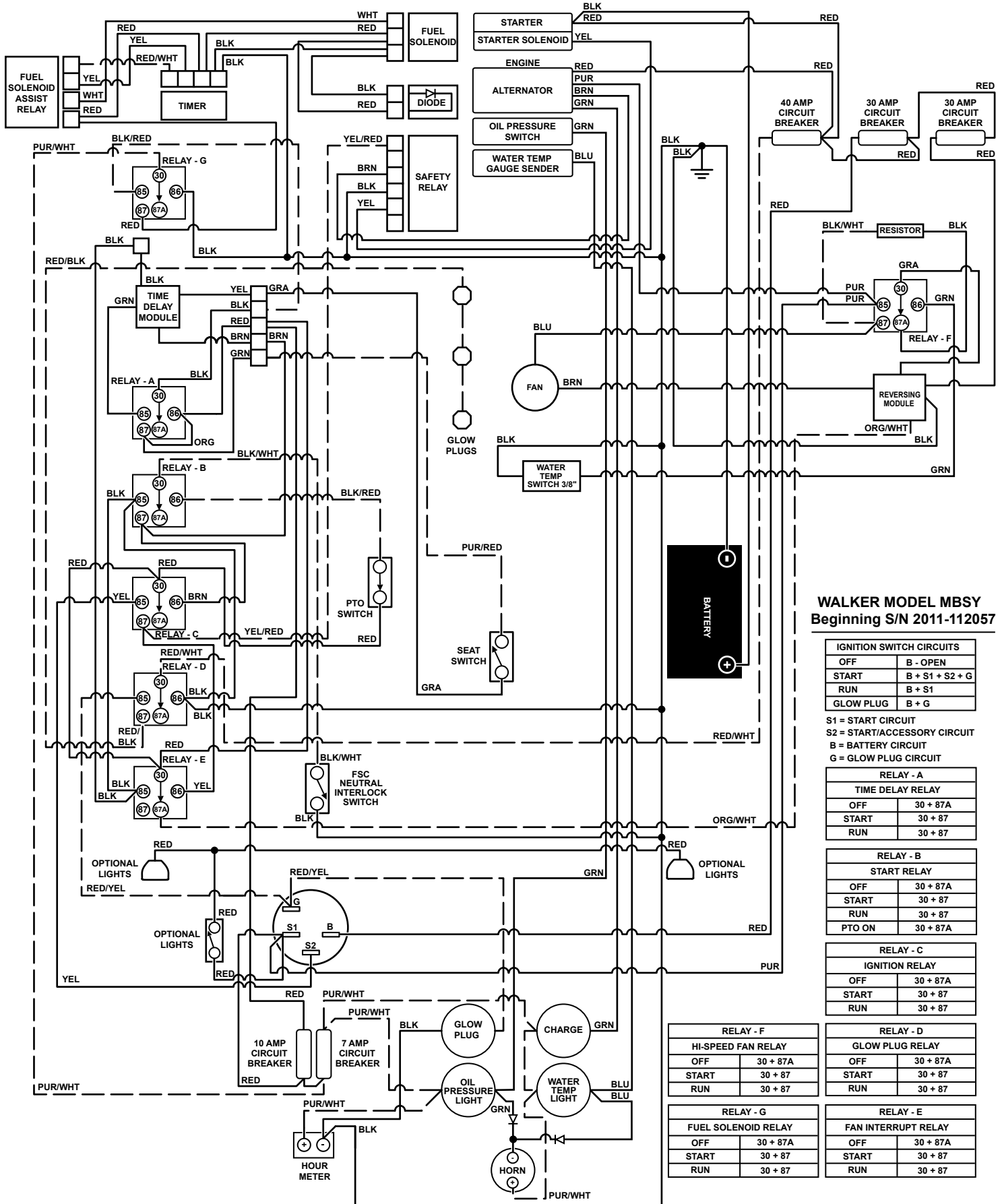
**NOTE:** See Model MBSY **Operator's Manual** (P/N 2000-4) for proper lubrication intervals.

# LUBRICATION POINTS



Beginning S/N 112057  
Effective Date 05-23-11  
Use only genuine **Walker**® replacement parts.

# WIRING SCHEMATIC



## WALKER MODEL MBSY Beginning S/N 2011-112057

IGNITION SWITCH CIRCUITS	
OFF	B - OPEN
START	B + S1 + S2 + G
RUN	B + S1
GLOW PLUG	B + G

S1 = START CIRCUIT  
S2 = START/ACCESSORY CIRCUIT  
B = BATTERY CIRCUIT  
G = GLOW PLUG CIRCUIT

RELAY - A TIME DELAY RELAY	
OFF	30 + 87A
START	30 + 87
RUN	30 + 87

RELAY - B START RELAY	
OFF	30 + 87A
START	30 + 87
RUN	30 + 87
PTO ON	30 + 87A

RELAY - C IGNITION RELAY	
OFF	30 + 87A
START	30 + 87
RUN	30 + 87

RELAY - F HI-SPEED FAN RELAY	
OFF	30 + 87A
START	30 + 87
RUN	30 + 87

RELAY - D GLOW PLUG RELAY	
OFF	30 + 87A
START	30 + 87
RUN	30 + 87

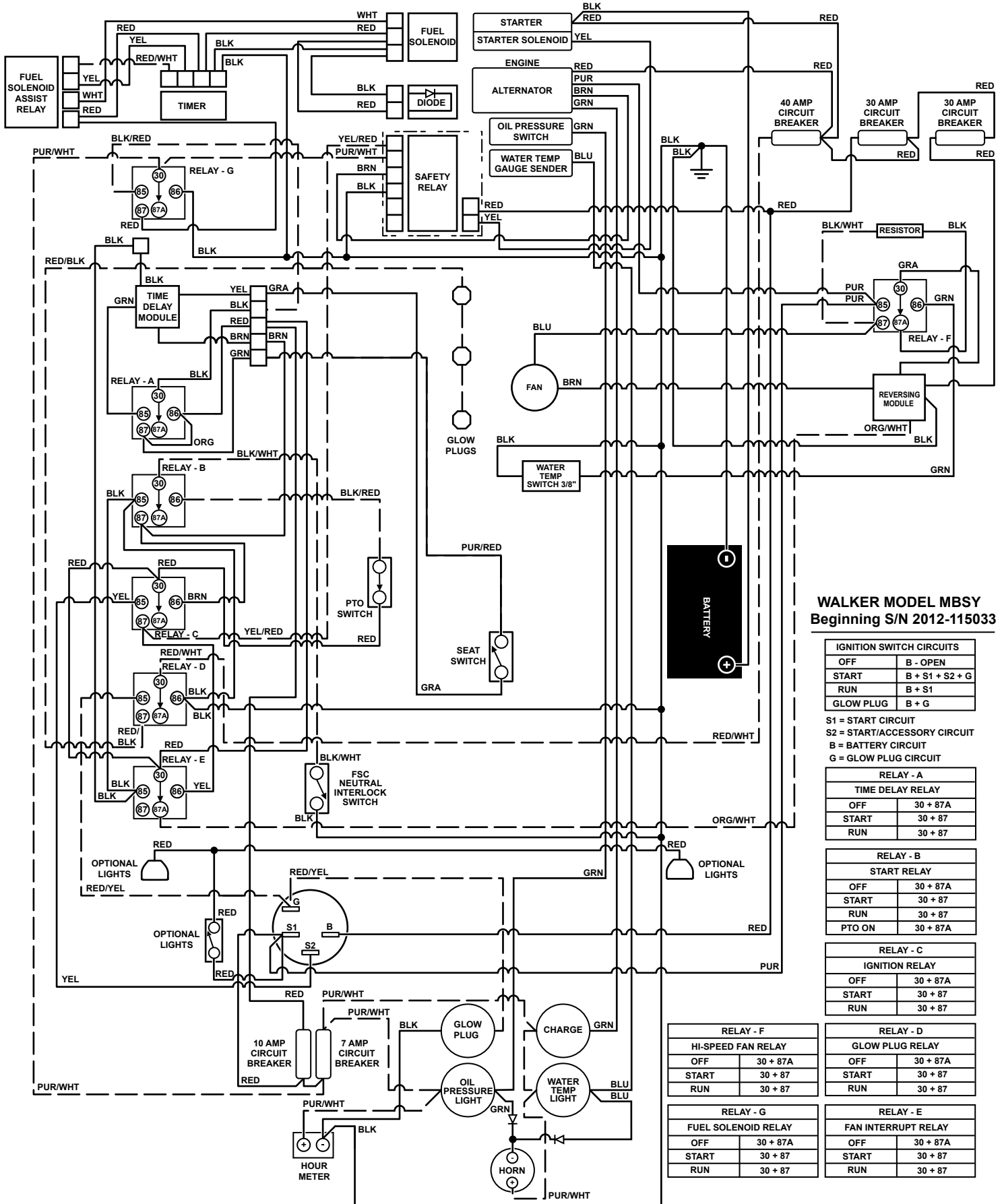
RELAY - G FUEL SOLENOID RELAY	
OFF	30 + 87A
START	30 + 87
RUN	30 + 87

RELAY - E FAN INTERRUPT RELAY	
OFF	30 + 87A
START	30 + 87
RUN	30 + 87

Beginning S/N 112057  
Effective Date 05-23-11

Use only genuine Walker® replacement parts.

# WIRING SCHEMATIC



## WALKER MODEL MBSY Beginning S/N 2012-115033

IGNITION SWITCH CIRCUITS	
OFF	B - OPEN
START	B + S1 + S2 + G
RUN	B + S1
GLOW PLUG	B + G

S1 = START CIRCUIT  
S2 = START/ACCESSORY CIRCUIT  
B = BATTERY CIRCUIT  
G = GLOW PLUG CIRCUIT

RELAY - A TIME DELAY RELAY	
OFF	30 + 87A
START	30 + 87
RUN	30 + 87

RELAY - B START RELAY	
OFF	30 + 87A
START	30 + 87
RUN	30 + 87
PTO ON	30 + 87A

RELAY - C IGNITION RELAY	
OFF	30 + 87A
START	30 + 87
RUN	30 + 87

RELAY - F HI-SPEED FAN RELAY	
OFF	30 + 87A
START	30 + 87
RUN	30 + 87

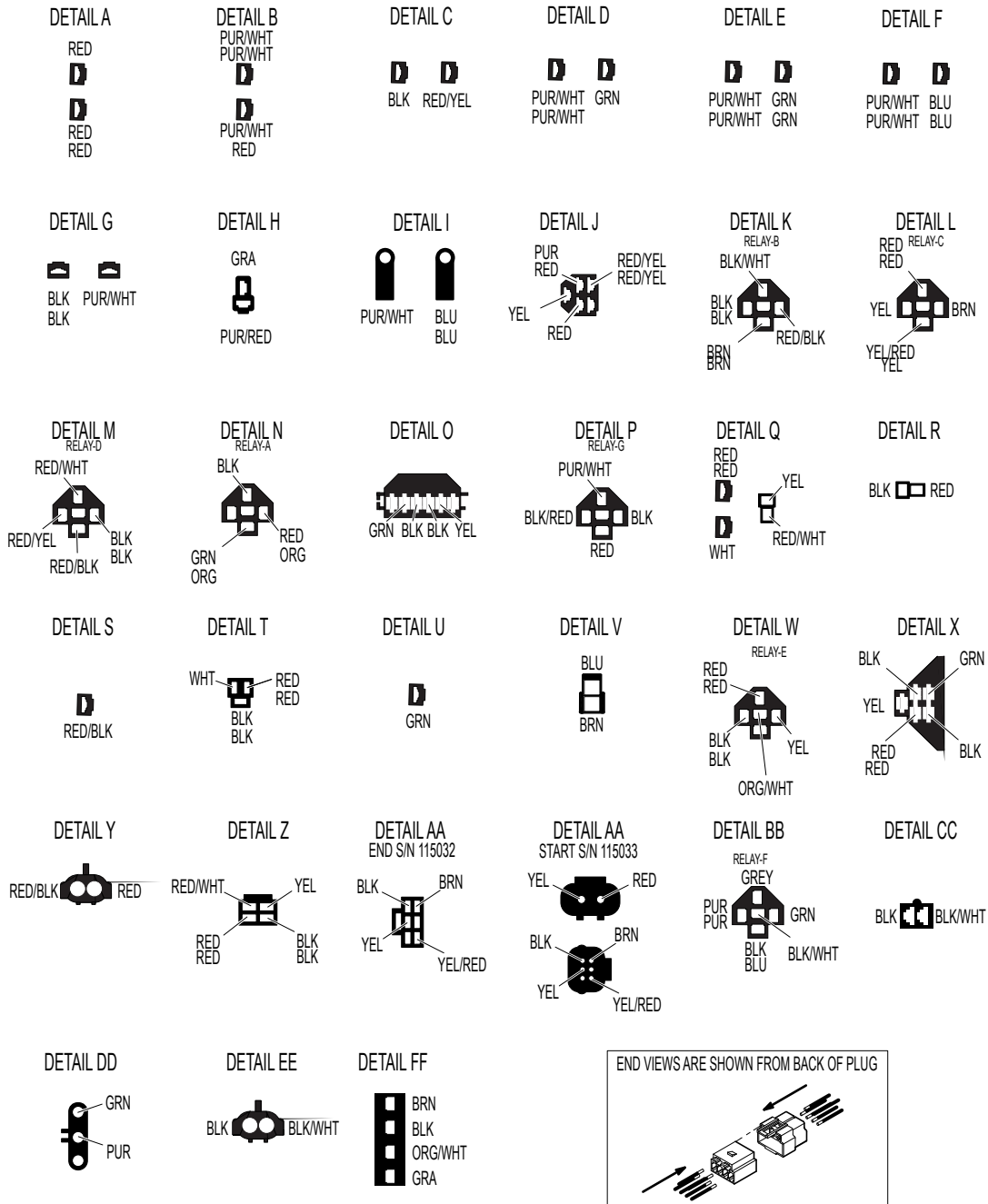
RELAY - D GLOW PLUG RELAY	
OFF	30 + 87A
START	30 + 87
RUN	30 + 87

RELAY - G FUEL SOLENOID RELAY	
OFF	30 + 87A
START	30 + 87
RUN	30 + 87

RELAY - E FAN INTERRUPT RELAY	
OFF	30 + 87A
START	30 + 87
RUN	30 + 87

Beginning S/N 112057  
Effective Date 05-23-11  
Use only genuine **Walker**® replacement parts.

# ELECTRICAL ASSEMBLY (CONNECTIONS)





# OPERATOR'S NOTES

---

# OPERATOR'S NOTES

---

# LIMITED WARRANTY FOR WALKER MODEL MBSY RIDER MOWER

## 1. WHAT THIS WARRANTY COVERS, AND FOR HOW LONG:

Walker Manufacturing company will, at its option, repair or replace, without charge, any part covered by this warranty which is found to be defective in material and/or workmanship within one (1) year after date of sale to the original retail purchaser unless the product is used for rental purposes, in which case this warranty is limited to ninety (90) days. At Walker's request, customer will make the defective part available for inspection by Walker and/or return the defective part to Walker, transportation charges prepaid. All parts and components of the Walker Mower are covered by this warranty **except** the following components which are warranted separately by their respective manufacturers:

Yanmar Engine  
Hydro-Gear Transaxles  
Battery  
Tires

The available warranties covering these items are furnished with each mower. Walker does not assume any warranty obligation, liability or modification for these items, which are covered exclusively by the stated warranty of the respective manufacturers noted above.

## 2. WHAT THIS WARRANTY DOES NOT COVER:

- A. This warranty does not cover defects caused by depreciation or damage caused by normal wear, accidents, improper maintenance, improper use or abuse of the product, alterations, or failure to follow the instructions contained in the Operator's Manual for operation and maintenance.
- B. The customer shall pay any charges for making service calls and/or for transporting the mower to and from the place where the inspection and/or warranty work is performed.

## 3. HOW TO OBTAIN SERVICE UNDER THIS WARRANTY:

Warranty service can be arranged by contacting the dealer where you purchased the mower or by contacting Walker Manufacturing Company, 5925 East Harmony Road, Ft. Collins, CO 80528. Proof of the date of purchase may be required to verify warranty coverage.

## 4. WARRANTY LIMITATION:

- A. **THERE IS NO OTHER EXPRESS WARRANTY. ANY WARRANTY THAT MAY BE IMPLIED FROM THIS PURCHASE INCLUDING MERCHANTABILITY AND FITNESS FOR A PARTICULAR PURPOSE IS HEREBY LIMITED TO THE DURATION OF THIS WARRANTY AND TO THE EXTENT PERMITTED BY LAW ANY AND ALL IMPLIED WARRANTIES ARE EXCLUDED.** Some states do not allow limitations on how long an implied warranty lasts, so the above limitations may not apply to you.
- B. **WALKER WILL NOT BE LIABLE FOR ANY INCIDENTAL, CONSEQUENTIAL, OR SPECIAL DAMAGES AND/OR EXPENSES IN CONNECTION WITH THE PURCHASE OR USE OF THE MOWER.** Some states do not allow the exclusion or limitation of incidental or consequential damages, so the above limitation(s) or exclusion(s) may not apply to you.
- C. Only the warranty expressed in this limited warranty shall apply and no dealer, distributor, or individual is authorized to amend, modify, or extend this warranty in any way. Accordingly, additional statements such as dealer advertising or presentations, whether oral or written, do not constitute warranties by Walker, and should not be relied upon.
- D. This warranty gives you specific legal rights, and you may also have other rights which vary from state to state.

# WALKER MOWERS

WALKER MFG. CO. • 5925 E. HARMONY ROAD, FORT COLLINS, CO 80528 • (970) 221-5614  
FORM NO. 052311 PRINTED IN USA [www.walkermowers.com](http://www.walkermowers.com) ©2012 WALKER MFG. CO