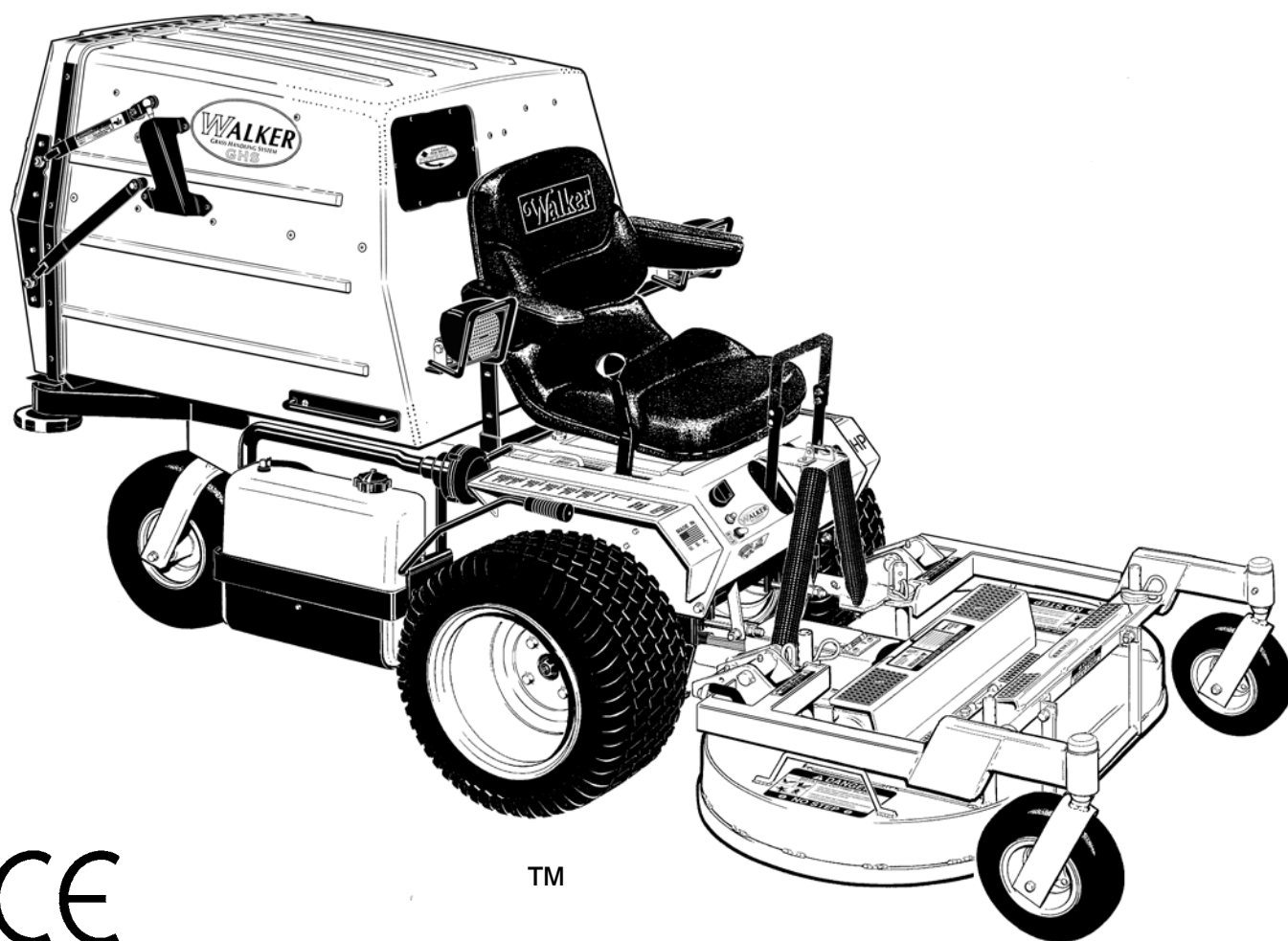


# Walker Rider Lawnmowers

## OWNER'S MANUAL

Safety, Assembly, Operating, and Maintenance Instructions

Model MC (20 HP)



CE

TM

**Please Read and Save These Instructions**

For Safety, Read All Safety and Operation  
Instructions Prior to Operating Machine

Effective Date: 01-15-10

P/N 6000-15



## Foreword

**Thank you.** . .for purchasing a Walker mower. Every effort has been made to provide you with the most reliable mower on the market, and we are sure you will be among our many satisfied customers. If for any reason this product does not perform to your expectations, please contact us at (970) 221-5614. Every customer is important to us. Your satisfaction is our goal.


**Please.** . .read this manual thoroughly! This manual is to be used in conjunction with the engine manufacturer's manual for the specific engine on the mower model you have purchased. Before you operate your new mower, please read this entire manual. Some of the information is crucial for proper operation and maintenance of this mower - it will help protect your investment and ensure that the mower performs to your satisfaction. Some of the information is important to your safety and must be read and understood to help prevent possible injury to the operator or others. If anything in this manual is confusing or hard to understand, please contact your local authorized dealer or call our service department, at (970) 221-5614, for clarification before operating or servicing this mower.

This manual covers Model MC with the Kohler Command CH20 (20.0 HP) gasoline engine.

**All shields and guards must be in place for the proper and safe operation of this machine.** Where they are shown removed in this manual, it is for illustration purposes only. **Do not operate this machine unless all shields and guards are in place.**

Specifications given are based on the latest information available at the time this manual was produced.

Walker Mfg. Co. is continually striving to improve the design and performance of its products. We reserve the right to make changes in specifications and design without thereby incurring any obligation relative to previously manufactured products.

Sincerely,  
WALKER MANUFACTURING COMPANY  
  
Bob Walker, President

# Table of Contents

<b>General Information</b>	1
HIGHLIGHTED INFORMATION	1
GLOSSARY	1
IDENTIFYING NUMBER LOCATIONS	1
ENGINE SERIAL NUMBER LOCATION	2
SERVICING OF ENGINE AND DRIVETRAIN COMPONENTS	2
<b>Specifications</b>	3
ENGINE	3
ELECTRICAL SYSTEM	3
TRANSMISSION	3
BLADE DRIVE	4
TIRE SIZE	4
TIRE PRESSURE	4
DIMENSIONS (Tractor and Mower)	4
MOWER DECK	5
CURB WEIGHT	5
DRIVE BELTS	6
GHS SYSTEM (Optional)	6
SEAT	6
FRAME/BODY CONSTRUCTION	6
<b>Component Identification</b>	7
<b>Safety Instructions</b>	10
BEFORE OPERATING	10
OPERATING	12
MAINTENANCE	14
SAFETY, CONTROL, AND INSTRUCTION DECALS	15
<b>Assembly Instructions</b>	17
SETUP INSTRUCTIONS	17
Tire Installation (Tractor)	17
<b>Battery Service</b>	17
Wet Battery Service	17
Dry Battery Service	17
Battery Charging	18
Battery Installation	18
<b>Mower Deck Assembly</b>	18
Deck Caster Wheels Installation	18
Deck Discharge Chute Installation	19
Deck Discharge Shield Installation	19
PTO Shaft Guard Installation	19
Tilt-Up Roller Wheel Installation	19
<b>Mower Deck Installation on Tractor</b>	20
Deck Installation	20
Deck Leveling	22
PREOPERATING CHECKLIST	23

<b>Operating Instructions</b>	25
<b>CONTROL IDENTIFICATION, LOCATION, AND FUNCTION</b>	25
Ignition Switch	25
Engine Choke	25
Engine Throttle	26
Forward Speed Control (FSC)	26
Steering Levers	26
Blade Clutch (PTO)	26
Parking Brake	26
Transmission Lockout Levers	26
Hourmeter	27
Oil Pressure Warning Horn	27
Circuit Breaker (7 Amp)	27
Light Switch (For Optional Lights)	27
<b>STARTING THE ENGINE</b>	29
<b>ADJUSTING GROUND SPEED AND STEERING</b>	29
<b>ENGAGING THE MOWER</b>	31
<b>STOPPING THE MACHINE</b>	32
<b>ADJUSTING CUTTING HEIGHT</b>	32
<b>TRANSMISSION LOCKOUT</b>	33
<b>RECOMMENDATIONS FOR MOWING</b>	34
<b>RECOMMENDATIONS FOR TILT-UP DECK OPERATION/TRANSPORT</b>	36
<b>GRASS HANDLING SYSTEM (GHS)</b>	37
General Information	38
Clogging Checklist	39
Using the Tilt-Up Deck	40
Using the GHS Catcher	40
Powerfil®	40
"Full" Signal Horn	40
Cleaning the GHS Exhaust Screen	40
Dumping the Catcher	41
Tailgate Dumping	41
Using the Dump Bag	41

# Table of Contents

<b>Maintenance Instructions</b> _____	43	<b>REPLACING/REPAIRING</b> _____	61
<b>MAINTENANCE SCHEDULE CHART</b> _____	43	<b>Drive Belts</b> _____	61
<b>IMPORTANT TIPS FOR CARE</b>		<i>Engine PTO Drive Belt</i> _____	63
<b>OF THE KOHLER ENGINE</b> _____	44	<i>Jackshaft Drive Belt</i> _____	64
<b>Fuel System</b> _____	44	<i>GHS Blower Drive Belt</i> _____	65
<b>Starting/Stopping</b> _____	44	<i>Hydrostatic Ground Drive Belt</i> _____	66
<b>Cooling System</b> _____	44	<b>Fuel Filter</b> _____	67
<b>Air Cleaner System</b> _____	44	<b>Blade Overload Shear Bolts</b> _____	67
<b>Oil</b> _____	44	<b>PTO Shear Pin</b> _____	68
<b>LUBRICATION</b> _____	45	<b>Mower Blades</b> _____	68
<b>Engine Oil</b> _____	45	<b>ADJUSTMENTS</b> _____	69
<i>Engine Break-In Oil</i> _____	45	<b>Steering Levers</b> _____	69
<i>Checking Engine Crankcase Oil Level</i> _____	45	<b>Tilt-Up Deck Adjustable Stop</b> _____	69
<i>Changing Engine Crankcase Oil/Oil Filter</i> _____	45	<b>GHS Signal Horn Adjustment</b>	
<b>Mower Deck Gearbox Lubrication</b> _____	46	(When Horn Sounds at Wrong Time) _____	69
<b>DSD52 Mower Deck Lubrication</b> _____	47	<b>Warranty</b> _____	71
<b>Tractor PTO Gearbox Lubrication</b> _____	48		
<i>Checking Gearbox Oil Level</i> _____	48		
<i>Changing Gearbox Oil</i> _____	48		
<b>Gear Axle Lubrication</b> _____	48		
<b>Hydrostatic Transmission Fluid</b> _____	48		
<i>Checking Hydrostatic</i>			
<i>Transmission Fluid Level</i> _____	48		
<b>Grease Fitting and Oil Point Lubrication</b> _____	49		
<b>CLEANING</b> _____	52		
<b>Engine Air Cleaner System</b> _____	52		
<i>Turbine Precleaner</i> _____	52		
<i>Donaldson Radialseal™ Air Cleaner</i> _____	53		
<b>Engine Cooling System</b> _____	54		
<i>Air Intake System</i> _____	54		
<i>Cylinder Head Cooling Fins</i> _____	55		
<b>Grass Buildup in Mower Housing</b> _____	55		
<b>GHS Blower</b> _____	56		
<b>GHS Exhaust Screen</b> _____	57		
<b>Hydrostatic Transmission Cooling Fins</b> _____	57		
<b>CHECKING/SERVICING</b> _____	57		
<b>Security of Air Filtration Components</b> _____	57		
<b>Battery</b> _____	57		
<i>Electrolyte Level</i> _____	57		
<i>Cleaning the Terminals</i> _____	58		
<i>Charging the Battery</i> _____	58		
<b>Tire Pressure</b> _____	58		
<b>Wheel Bolt Torque</b> _____	58		
<b>Sharpen Mower Blades</b> _____	58		
<b>Drive Belts</b> _____	59		
<b>Mower Deck Gearbox Oil Seals</b> _____	60		
<b>Spark Plugs</b> _____	60		
<b>Fuel Lines and Clamps</b> _____	60		
<b>Engine Starter</b> _____	60		
<b>Blade Brake Action</b> _____	60		
<b>Safety Switch System</b> _____	60		
<b>Forward Speed Control Friction Lock</b> _____	61		

# General Information

## HIGHLIGHTED INFORMATION

Walker Manufacturing recommends that any service requiring special training or tools be performed by an authorized Walker Mower Dealer. There are several general practices to be aware of in the area of safety. Most accidents associated with the operation or maintenance of a Walker Mower are caused by disregarding basic safety precautions or specific warnings. Such accidents, in most cases, can be prevented by being aware of the dangers present.

Information of special importance has been highlighted in bold type in this manual. Refer to **Safety Instructions** for the meanings of **DANGER, WARNING, CAUTION, IMPORTANT, and NOTE.**

## GLOSSARY

There are many terms that are either unique to this equipment or that are used as acronyms. The following terms and their definitions will help while using this manual:

- **DECK** is the mowing attachment mounted on the front of the tractor which includes the carrier frame, deck housing, blade drive gearboxes, and cutter blades.
- **FORWARD SPEED CONTROL (FSC)** controls the maximum forward speed of the tractor; functioning as a cruise control.
- **GRASS HANDLING SYSTEM (GHS®)** collects mowed material and deposits it in the catcher.
- **GRASS-PAK® SWITCH** is mounted on the grass delivery spout (in the catcher) and activates the "full" signal horn when the grass catcher is full.
- **GROUND DRIVE** refers to the dual hydrostatic transmissions which drive the main wheels.
- **HYDROSTATIC TRANSMISSION** transmits and controls power from the ground drive belt to the main drive wheel.
- **LEFT HAND (LH)** refers to the left-hand side of the tractor when the operator is seated facing forward in the tractor seat.

- **POWER TAKE-OFF (PTO)** transmits engine power to run the cutter blades and GHS blower.
- **POWERFIL®** spreads the mowed material throughout the interior of the grass catcher by an oscillating delivery spout.
- **RIGHT HAND (RH)** refers to the right-hand side of the tractor when the operator is seated facing forward in the tractor seat.
- **SIDE DISCHARGE (SD)** mows but does not collect the mowed material.
- **STEERING LEVERS** steer the tractor by controlling the dual hydrostatic transmissions.
- **TRACTOR** is the prime mover, including the engine, drive train, operator seat, and controls to operate the mower.
- **TRANSMISSION LOCKOUT** releases the hydrostatic transmissions to permit freewheeling the tractor.

## IDENTIFYING NUMBER LOCATIONS

The tractor serial number plate is affixed to the tractor body just below the left rear corner of the seat. The mower deck serial number plate is affixed alongside the angle iron framing on the LH side of the LH mower blade drive. Model and serial numbers are helpful when obtaining replacement parts and maintenance assistance. For ready reference, please record these numbers in the space provided.

Tractor Model No.	_____
Tractor Serial No.	_____
Deck Serial No.	_____
Engine Model No.	_____
Engine Serial No.	_____
Date of Purchase	_____

**Fill In By Purchaser**

# General Information



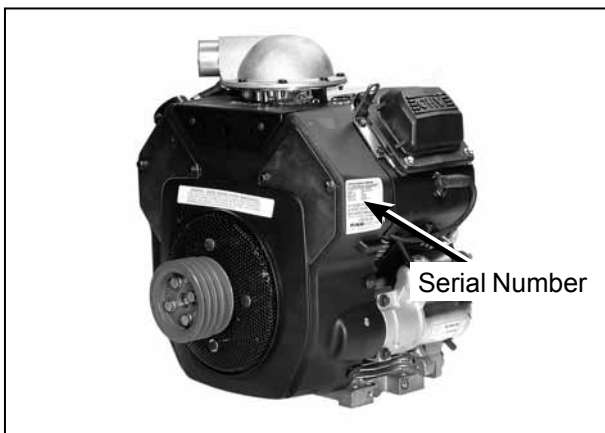
**Tractor Serial Number Location**



**Mower Deck Serial Number Location**

## ENGINE SERIAL NUMBER LOCATION

Refer to the engine manual that accompanies this manual for the location of the engine serial number. For the mower model covered by this manual, an engine manual is available from Kohler covering the Kohler Command CH20 gasoline engine.



**Engine Serial Number Location**

## SERVICING OF ENGINE AND DRIVETRAIN COMPONENTS

The detailed servicing and repair of the engine, hydrostatic transmission, and gearboxes are not covered in this manual. Only routine maintenance and general service instructions are provided. For the service of these components during the limited warranty period, it is important to find a local, authorized servicing agent of the component manufacturer. **Any unauthorized work done** on these components during the warranty period **may void the warranty**. If you have any difficulty finding an authorized outlet or obtaining warranty service, please contact our Service Department for assistance:

**Walker Manufacturing Company**  
5925 E. Harmony Road  
Fort Collins, CO 80528  
1-970-221-5614

Service manuals are available for each of these components from their respective manufacturers as follows:

Kohler Engines

**Kohler Company**  
Kohler, WI 53044  
800-544-2444  
[www.kohlerengines.com](http://www.kohlerengines.com)

Hydrostatic  
Transmissions

**Eaton Corporation**  
15151 Highway 5  
Eden Prairie, MN 55344

Gearboxes (Deck)

**Tecumseh Power Co.**  
1555 S. Jackson Street  
Salem, IN 47167  
812-883-3575

# Specifications

MODEL	MC
<b>ENGINE</b>	
Manufacturer/Model	Kohler Command CH20, 2 Cyl., Gasoline (Air-Cooled)
Displacement	38.1 cu. in. (624 cc)
HP (@ 3600 RPM)	20.0
Max. RPM (No Load)	3750
Governed RPM	3600
Max. Torque [ft-lb (N·m) @ RPM]	32 (43.4) @ 2500
Idle RPM	1200 ± 75
Spark Plug Type	Champion® RC12YC
Spark Plug Gap	.030 in. (0.76 mm)
Crankcase Capacity	2.0 qts (1.9 liters)
Crankcase Lubricant	API SG, SH, SJ or higher Grade Oil Only with 10W-30 Viscosity above 0° F (-18° C), or 5W-20 or 5W-30 Viscosity below 32° F (0° C)
Oil Filter	28-050-01
Fuel Tank Capacity	3 Gallons (11.4 liters)
Fuel	Regular Grade Unleaded Gasoline (87 Octane)
Cooling System Capacity	Air Cooled
<b>ELECTRICAL SYSTEM</b>	
Battery	12 Volt, 35 AH, 275 CCA
Charging System	Flywheel Alternator
Charging Output	15 Amp DC (Regulated)
System Polarity	Negative Ground
Ignition	Electronic Capacitive Discharge
Starter	12 Volt Electric Ring-Gear Type, Solenoid Shift
Interlock Switch	Ignition Lockout by Seat Switch, Transmission Neutral and Blade Clutch
Circuit Breaker	Auto Reset (30A)
<b>TRANSMISSION</b>	
Manufacturer/Model	Dual Hydrostatic, Eaton Model 7, Each Wheel Independently Driven
Steering	Hand Lever Control / Individual Wheel
Forward Speed Control	Precision Friction Lock Lever, Cruise Control, with Neutral-Park Position
Service Brake	Dynamic Braking through Hydrostatic Transmission
Parking Brake	Mechanical Pin Lock in Transmission Gear

# Specifications

MODEL	MC
<b>TRANSMISSION (continued)</b>	
Neutral	Transmission Release by Manual Dump Valve
Final Drive	Gear Drive Axle
<b>Transmission Fluid</b>	
Factory Service	Mobil 1 Synthetic Motor Oil (15W-50)
Alternate Transmission Fluid	SAE 30W Straight Viscosity Motor Oil
Transmission Fluid Capacity	1 qt (1 liter)
Transmission Cooling	Cooling Fan Mounted on Drive Pulley
<b>Ground Travel Speed</b>	
Forward m.p.h. (km/h)	0-5 (0-8) Infinitely Variable
Reverse m.p.h. (km/h)	0-5 (0-8) Infinitely Variable
<b>BLADE DRIVE</b>	
PTO Shaft	Quick Disconnect Spline Shaft with Two High-Speed U-Joints
Blade Spindle	Each Blade (2) Mounts Direct on Peerless Right Angle Gearbox with Tee Gearbox in Center Connected to PTO Shaft (Complete Geared Drive, Peerless Model 1000 Gearboxes)
Blade Drive Clutch and Brake	Manual Belt Tightener Clutch and Band Brake [Stops Blades within Five (5) Seconds of Disengagement]
Max. Blade Speed [22 in. (56 cm) Blade] @ 3600 RPM Engine	2900 RPM [16700 FPM (5090 m/min)]
<b>TIRE SIZE</b>	
Deck Caster Wheel 36, 42, 48, 56 52, 62	8 x 3.00-4 Pneumatic (4-Ply) 11 x 4.00-5 Pneumatic
Deck Caster Wheel (Optional) 36, 42, 48, 56	8 x 3.00-4 Foamed Rubber
Drive	18 x 8.50-10 (4-Ply Low-Profile)
Drive (Optional Narrow Tire)	18 x 7.00-8 (4-Ply)
Rear	13 x 6.50-6 (4-Ply)
<b>TIRE PRESSURE</b>	
Deck Caster Wheel	20 PSI (137 kPa)
Drive	15 PSI (103 kPa)
Rear	20 PSI (137 kPa)
<b>DIMENSIONS (Tractor and Mower)</b>	
<b>Length</b>	
36 in. (91 cm) GHS Model	87 in. (221 cm)
42 in. (107 cm) GHS Model	89 in. (226 cm)



# Specifications

MODEL	MC
<b>DIMENSIONS (continued)</b>	
<b>Width</b>	
36 in. (91 cm) SD Model (with Deflector)	41-3/4 in. (106 cm)
42 in. (107 cm) SD Model (with Deflector)	47-3/4 in. (121 cm)
36 in. (91 cm) GHS Model	37 in. (94 cm)
42 in. (107 cm) GHS Model	43 in. (109 cm)
<b>Height</b>	
SD Model	37-1/2 in. (95 cm)
GHS Model	49-1/2 in. (126 cm)
Wheel Base (Tractor)	42-1/4 in. (107 cm)
Tread Width (Tractor)	
Standard Tires	28-1/4 in. (72 cm)
Optional Tires	29-3/4 in. (76 cm)
<b>MOWER DECK</b>	
Width of Cut SD/GHS	36 or 42 in. (91 or 107 cm)
Cutting Height	1 to 4 in. (3 to 10 cm)
Height Adjustment	7 Positions - 1/2 in. (1 cm) Increment Hitch Pins Installed in Multi-Position Deck Support
<b>Blade Size</b>	
36 in. (91 cm) SD Model	20 in. (51 cm) Two (2) Clockwise-Rotating Blades with a 4 in. (10 cm) Center Overlap
36 in. (91 cm) GHS Model	20 in. (51 cm) Two (2) Counter-Rotating Blades with a 4 in. (10 cm) Center Overlap
42 in. (107 cm) SD Model	22 in. (56 cm) Two (2) Clockwise-Rotating Blades with a 2 in. (5 cm) Center Overlap
42 in. (107 cm) GHS Model	22 in. (56 cm) Two (2) Counter-Rotating Blades with a 2 in. (5 cm) Center Overlap
Deck Suspension	Torsion-Flex Frame with Caster Wheels and Counterweight Springs
<b>CURB WEIGHT (Approximate)</b>	
SD Tractor Only	645 lb (293 kg)
GHS Tractor Only	735 lb (333 kg)
SD Tractor and 36 in. SD Deck	804 lb (365 kg)
SD Tractor and 42 in. SD Deck	824 lb (374 kg)
GHS Tractor and 36 in. GHS Deck	902 lb (409 kg)
GHS Tractor and 42 in. GHS Deck	927 lb (420 kg)

# Specifications

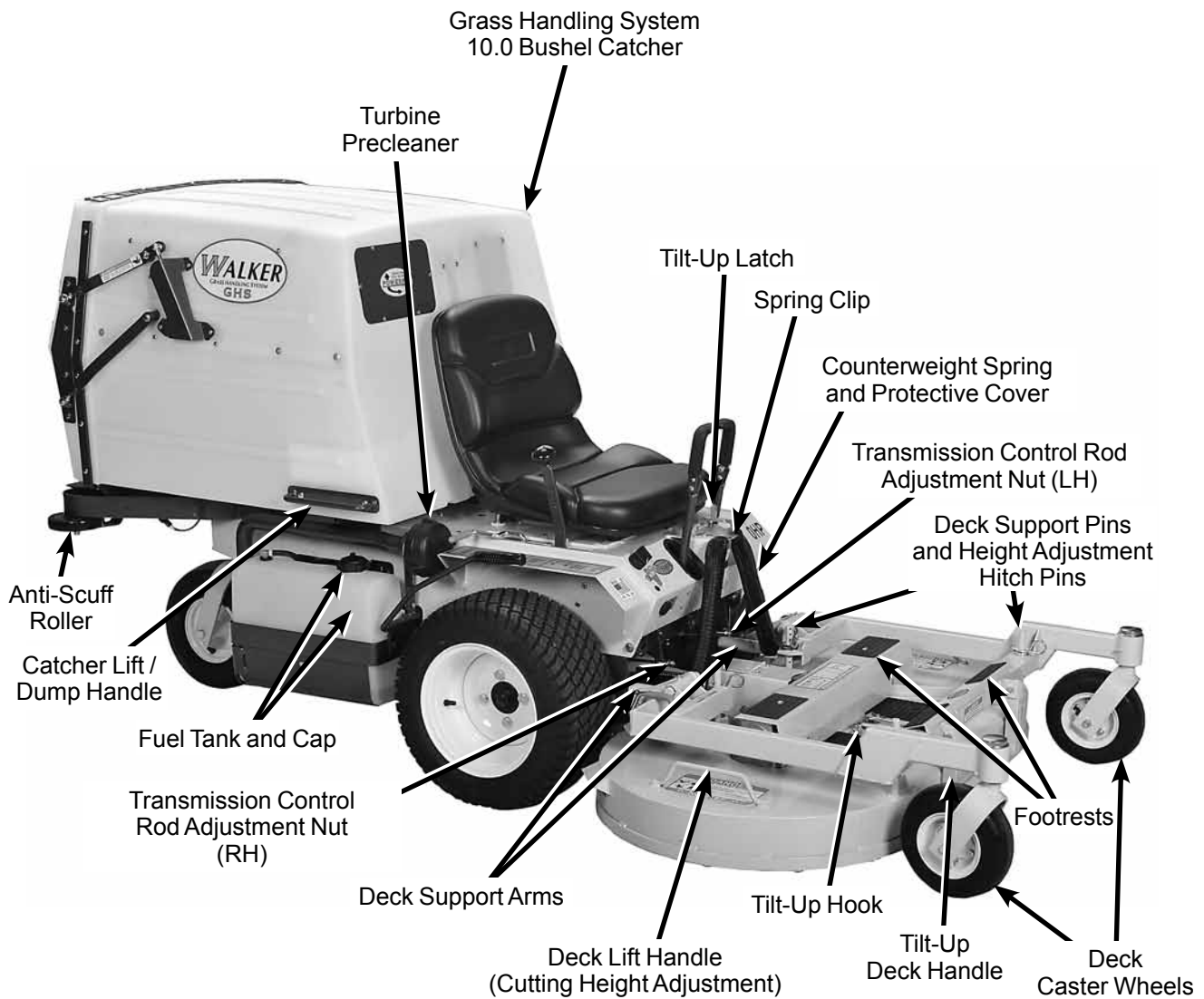
MODEL	MC
<b>DRIVE BELTS</b>	
Engine PTO	Walker P/N 8230
Jackshaft Drive	Gates 3VX385 (or Walker P/N 6251-1)
Ground Drive, Micro-V	Walker P/N 7248
Blower (GHS Model)	Walker P/N 7234-2
<b>GHS SYSTEM (Optional)</b>	
Blower	4-1/2 x 10-1/2 x 1/2 in. (11 x 27 x 1 cm) Three-Blade Paddle Wheel (Driven by Mower Engine)
Blower Brake	Band Brake [Works in Combination with PTO Clutch, Stops Blower within Five (5) Seconds of PTO Disengagement]
Max. Blower Speed	3600 RPM
Grass Catcher Capacity*	93 Gallons (352 liters)/10.0 Bushels
Optional Grass Catcher Capacity	63 Gallons (238 liters)/6.7 Bushels
Full Signal (Grass-Pak® Switch)	Oscillating Vane Switch Mounted on Grass Delivery Spout Triggers Horn Signal
Powerfil®	Oscillating Delivery Spout Driven by 12 Volt Electric Gearmotor Spreads Material throughout Interior of Catcher @ 25 Cycles/Minute
<b>SEAT</b>	Contour-Molded, with Nylon Backed Vinyl Cover and Integral Foam Cushion
<b>FRAME/BODY CONSTRUCTION</b>	
Frame	All Welded Unitized Steel Chassis
Body	14 Gauge Steel
Deck	11 Gauge Steel
GHS Catcher and Chutes	Molded Cross-Linked Polyethylene (UV Stabilized)

\*Optional (6.7 Bushel) Grass Catcher subtracts approx. 5 lb (2 kg) and 5 in. (13 cm) in Height

**NOTE:** The manufacturer reserves the right to make changes in specifications shown herein at any time without notice or obligation.

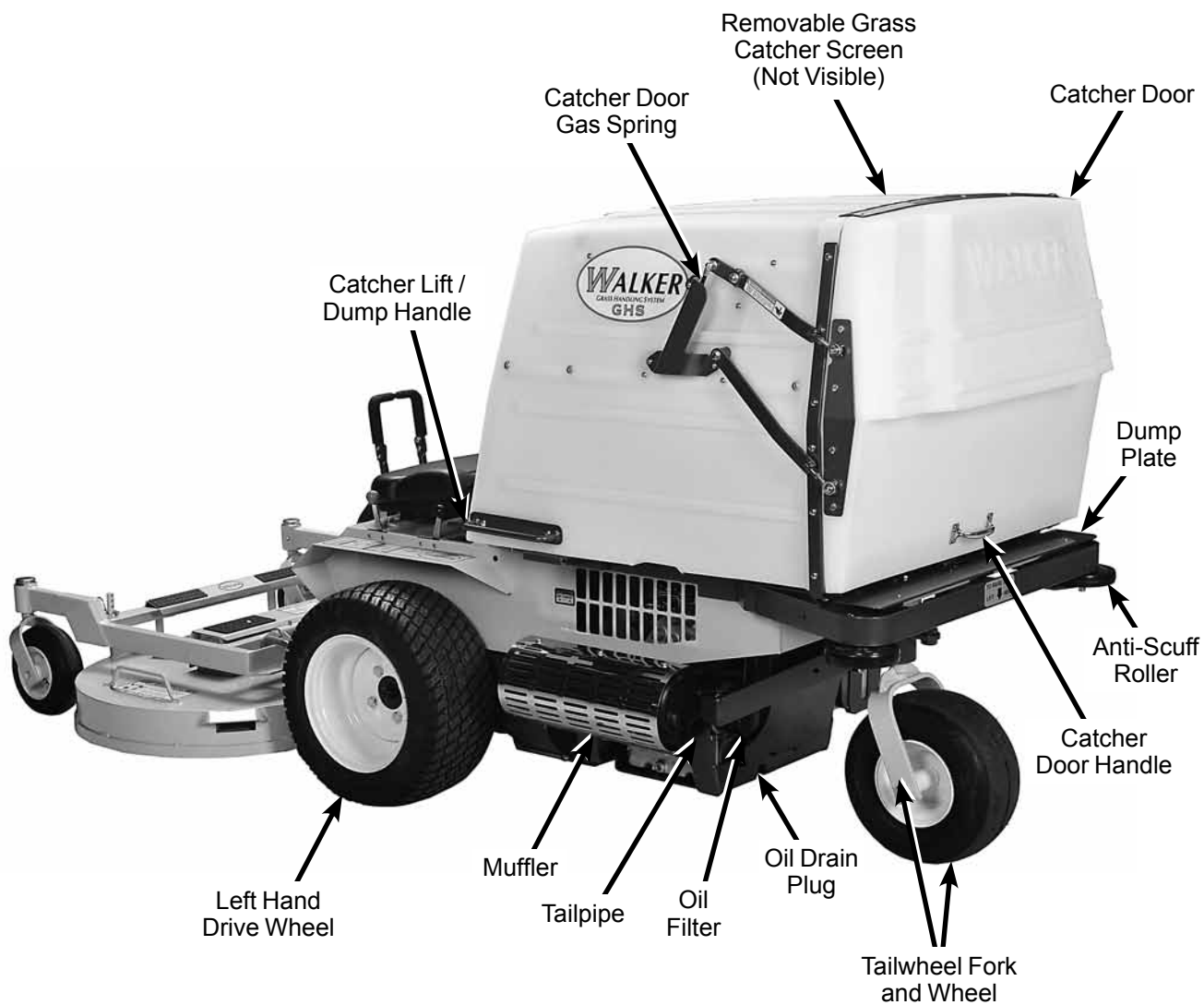
# Component Identification

**NOTE:** Control Identification shown in **Operating Instructions** section.



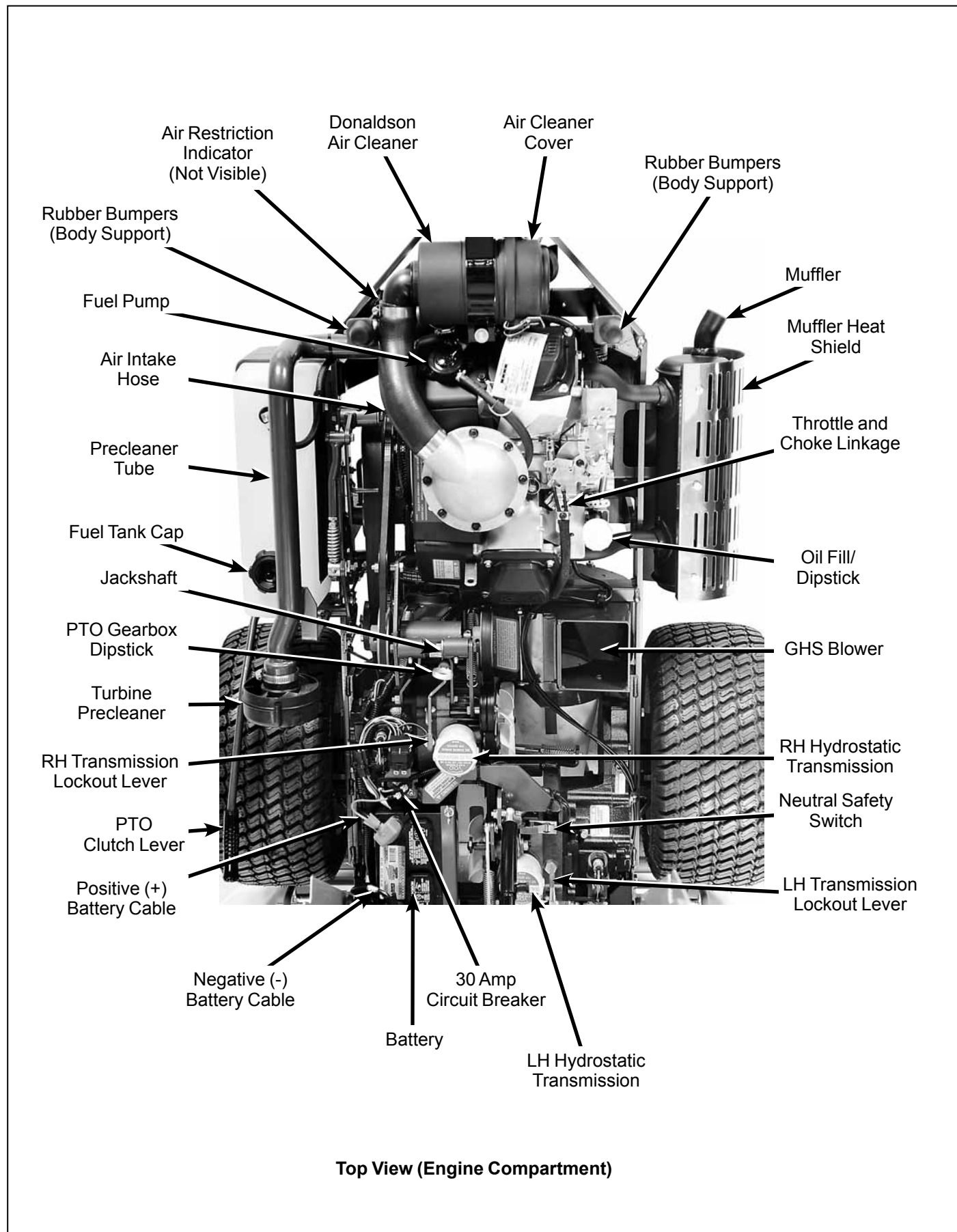
**Front View and Right Side View**

# Component Identification




Rear View and Left Side View

# Component Identification



# Safety Instructions

Pay particular attention to any information labeled **DANGER, WARNING, CAUTION, IMPORTANT,** and **NOTE** in this manual.

When you see the Safety Alert Symbol (  ), read, understand, and follow the instructions. Failure to comply with safety instructions may result in personal injury.

The seriousness or degree of importance of each type of information is defined as follows:

## **DANGER**

An **IMMEDIATE** hazard that **WILL** result in severe personal injury or **DEATH**, if warning is ignored and proper safety precautions are not taken.

## **WARNING**

A **POTENTIAL** hazard that **COULD** result in severe personal injury or **DEATH**, if warning is ignored and proper safety precautions are not taken.

## **CAUTION**

Possible hazards or unsafe practices that **MAY** result in **MODERATE** personal injury or property damage, or machine damage, if warning is ignored and proper safety precautions are not taken.

**IMPORTANT:** Identifies mechanical information demanding special attention, since it deals with the possibility of damaging a part or parts of the machine.

**NOTE:** Identifies information worthy of special attention.

Walker Manufacturing cannot predict every potentially dangerous situation. Therefore, items labeled as such in this manual do not cover all conceivable situations. Any person using procedures, tools, or control techniques not recommended by Walker Manufacturing must take full responsibility for safety.

The Walker Rider Lawnmower has been designed with many safety features to protect the operator from personal harm or injury. However, it is necessary for the operator to use safe operating procedures at all times. **Failure to follow safety instructions contained in this manual may result in personal injury or damage to equipment or property.**

If you have any questions concerning setup, operation, maintenance, or safety, please contact your authorized Walker Mower Dealer or call Walker Manufacturing Company at (970) 221-5614.

## **BEFORE OPERATING**

1. **Read and understand the contents of this Owner's Manual before starting and operating the machine.** Become thoroughly familiar with all machine controls and how to stop the machine and disengage the controls quickly. Replacement Owner's Manuals are available by sending the Model and Serial Number to:

**Walker Manufacturing Company**  
5925 East Harmony Road  
Fort Collins, CO 80528

2. **Never allow children to operate rider mower.** Do not allow adults to operate without proper instruction.
3. **Clear the area to be mowed of any foreign objects** which may be picked up and thrown by cutter blades. Pick up all sticks, stones, wire, and any other debris.
4. Keep everyone, especially children and pets, a safe distance away from the area being mowed. **Do not mow with bystanders in the area.**
5. Do not operate the machine barefoot or wearing sandals, sneakers, tennis shoes, or similar lightweight footwear. **Wear substantial protective footwear.**

# Safety Instructions

6. Do not wear loose fitting clothing that could get caught in moving parts. Do not operate this machine while wearing shorts; **always wear adequate protective clothing**, including long pants. Wearing safety glasses, safety shoes, and a helmet is advisable and required by some local ordinances and insurance regulations.
7. Prolonged exposure to loud noise can cause impairment or loss of hearing. **Operator hearing protection is recommended**; particularly for continuous operation of the GHS Model due to blower noise level. Wear a suitable hearing protective device, such as earmuffs or earplugs.
8. **Keep all protective shields and safety devices in place.** If a protective shield, safety device, or decal is damaged, unusable, or missing, repair or replace it **before** operating the machine.
9. **Be sure interlock switches are functioning correctly**, so the engine cannot be started unless the Forward Speed Control lever is in the **NEUTRAL-PARK** position, and the PTO clutch is in the **DISENGAGED** position. Also, the engine should stop if the operator lifts off the seat with either the Forward Speed Control (FSC) out of the **NEUTRAL-PARK** position or the PTO clutch in the **ENGAGED** position.  
  
**NOTE:** There is a 1 to 1-1/2 second time delay function on the seat switch to avoid engine power interruption when driving over bumps.
10. **Handle gasoline with care.** Gasoline is highly flammable and its vapors are explosive:
  - a. Use an approved fuel container.
  - b. Never add fuel to a running engine or hot engine (allow hot engine to cool several minutes).
  - c. Keep matches, cigarettes, cigars, pipes, open flames, or sparks away from the fuel tank and fuel container.
  - d. Always fill the fuel tank outdoors using care. Fill to about one inch from the top of the tank. Use a funnel or spout to prevent spilling.
  - e. Replace the machine fuel cap and container cap securely and clean up any spilled fuel before starting the engine.

11. **Never attempt to make any adjustments while the engine is running**, except where specifically instructed to do so.
12. The electrical system battery contains sulfuric acid. Avoid any contact with skin, eyes, and clothing. Keep the battery and acid out of reach of children.

 **WARNING**

**The engine exhaust from this product contains chemicals known to the State of California to cause cancer, birth defects or other reproductive harm.**

# Safety Instructions

## OPERATING

1. **Operate the mower only in daylight** or in good artificial light with good visibility of the area being mowed.
2. Sit on the seat when starting the engine and operating the machine. Keep feet on the deck footrests at all times when the tractor is moving and/or mower blades are operating. **Never operate the tractor without a deck or implement installed.**
3. For a beginning operator, **learn to steer (maneuver) the tractor with a slow engine speed before attempting any mowing operation.** Be aware that, with the front mounted mower configuration, the back of the tractor swings to the outside during turns.



### **DANGER**

**Do not mow around overhanging tree branches or bushes at the same height as the operator's torso and head where inadvertent contact may cause injury.**

4. Remember, for an emergency stop, the forward motion of the tractor can always be stopped by pulling the Forward Speed Control (FSC) into the **NEUTRAL-PARK** position.
5. In case the transmission drive belt breaks during operation, and if the machine is on a slope, the machine will freewheel down the slope. **To maintain control**, immediately (1) Release the steering levers and simultaneously (2) Move the FSC to the **NEUTRAL-PARK** position. When the machine is stopped or moving slowly, engage the parking brake.  
**NOTE:** The emergency stop procedure is exactly the same procedure as used to normally stop and park the machine.
6. Disengage the blade clutch and put the FSC in the **NEUTRAL-PARK** position before starting the engine (an ignition interlock switch normally prevents starting of the machine if these controls are in the **OPERATING** position).

7. **Do not operate machine if the operator presence safety switch system is not working.** Verify proper operation by having the operator lift off the seat with the engine running and moving two controls, one at a time; (1) Move the FSC lever out of the **NEUTRAL-PARK** position, and (2) Engage the PTO Clutch. Moving either control should stop the engine after a 1-1/2 second delay.
8. **Do not run the engine in a confined area without adequate ventilation.** Exhaust fumes are hazardous and can be deadly.
9. **Do not carry passengers** - maximum seating capacity is one (1) person.
10. Watch for holes, rocks, and roots in the terrain and for other hidden hazards. When mowing tall grass, mow higher than desired to expose any hidden obstacles. Then, clean the area and mow to the desired height.
11. **Avoid sudden starts or stops.** Before backing the machine up, look to the rear to be sure no one is behind the machine. Watch carefully for traffic when crossing or working near roadways.
12. Disengage the blade drive when transporting the machine across drives, sidewalks, etc. **Never raise the mower deck while blades are rotating.**



### **DANGER**

**Do not mow or dump grass within 5 feet (1.5 meters) of an embankment or retaining wall with drop off.**

13. **The maximum recommended side slope operating angle is 20 degrees or 33% grade.** When operating the machine on a slope, reduce speed and use caution to start, stop, and maneuver. To prevent tipping or loss of control of the machine, avoid sharp turns or sudden changes in direction.



# Safety Instructions

14. **Never adjust cutting height with the engine running.** Before adjusting cutting height or servicing, disengage the blade clutch (PTO), stop the engine, and remove the ignition key. Wait for all movement to stop before getting off the seat.

**NOTE:** A blade/blower brake should normally stop drive line rotation within five (5) seconds of disengaging the PTO clutch.

15. For side discharge mower decks, **do not operate with the grass deflector chute removed.** Keep the deflector in the lowest possible position.
16. For tractors equipped with tilt-up deck, **observe the following recommendations:**
  - a. Do not move tractor with deck in tilt-up position.
  - b. Never tilt body forward with deck in tilt-up position.
17. For GHS equipped models, **do not operate the machine with the grass catcher in the DUMP position or with the back door OPEN.** Dangerous projectiles may be thrown out of the discharge chute or the back of the grass catcher.
18. For GHS equipped models, **use care when closing the grass catcher door.** Keep fingers and hands away from the hinge and pinch points when the door is being closed. Also, keep fingers and hands clear of the door frame. The door may slam shut with considerable force.
19. **In case of a clogged or plugged mower deck or GHS catching system:**
  - a. Disengage the blade clutch (PTO) and turn the engine off before leaving the seat.
  - b. **LOOK** to make sure blade drive shaft and blower drive pulley movement has stopped before trying to unclog the system.
  - c. Disconnect the spark plug wires.
  - d. Never place hands under the deck or in the GHS blower - use a stick or similar tool to remove clogged material.

20. If the cutting blades strike a solid object or the machine begins to vibrate abnormally, **immediately disengage the blade clutch (PTO), stop the engine, and wait for all moving parts to stop.** To prevent accidental starting, disconnect the spark plug wires. Thoroughly inspect the mower and repair any damage before restarting the engine and operating the mower. Make sure cutter blades are in good condition and blade nuts are torqued to 60 ft-lb (81.3 N·m).
21. **Do not touch the engine or muffler while the engine is running** or immediately after stopping the engine. These areas may be hot enough to cause serious burns.
22. When leaving the machine unattended, **disengage the blade clutch (PTO), stop the engine, and remove the key.**



## CAUTION

**Use leg muscles and firm footing when lifting the catcher to dump; avoid bending at the waist and using back muscles to avoid back injury.**

# Safety Instructions

## MAINTENANCE

1. To prevent accidental starting of the engine when servicing or adjusting the machine, remove the key from the ignition switch and disconnect the spark plug wires.
2. **To reduce fire hazards**, keep the engine free of grass, leaves, excessive grease, and dirt.
3. Keep all nuts, bolts, and screws tight to ensure the machine is in a safe, working condition. Check the blade mounting nuts frequently, making sure they are tight.
4. **Perform only maintenance instructions described in this manual.** Unauthorized maintenance operations or machine modifications may result in unsafe operating conditions.
5. If the engine must be running to perform a maintenance adjustment, keep hands, feet, and clothing away from moving parts. **Do not wear jewelry or loose clothing.**
6. **Always use the proper engine service manual when working on the engine.** Unauthorized maintenance operations or modifications to the engine may result in unsafe operating conditions.
7. Altering the equipment or engine in any manner which adversely affects its operation, performance, durability, or use will **VOID the warranty** and may cause hazardous conditions.
8. Never attempt to disconnect any safety devices or defeat the purpose of these safety devices.
9. Do not change the engine governor settings or overspeed the engine. The governor has been factory-set for maximum-safe engine operating speed.
10. **Use genuine factory replacement parts.** Substitute parts may result in product malfunction and possible injury to the operator and/or others.
11. **Use care when charging the battery** or performing maintenance on the battery and electrical system:
  - a. Make sure the battery charger is unplugged before connecting or disconnecting cables to the battery.
  - b. Charge the battery in a well-ventilated space, so gases produced while charging can dissipate. Make sure the battery vents in the caps are open.
  - c. Keep sparks, flames, and smoking materials away from the battery at all times. To avoid sparks, use care when removing battery cables from posts.
  - d. Disconnect both battery cables before unplugging any wiring connectors or making repairs on the electrical system.

**IMPORTANT:** Keep all applicable manuals immediately accessible to anyone who may operate or service this machine.

# Safety Instructions

## SAFETY, CONTROL, AND INSTRUCTION DECALS

Safety, Control, and Instruction Decals are installed on the machine; if any are missing, illegible, or damaged, a replacement should be ordered and installed before putting the machine into operation. The Decal Part Number is listed below and in the Parts Manual.



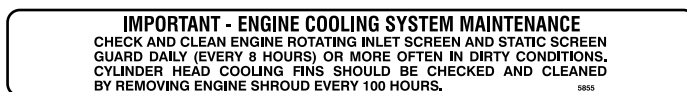
Each End of Mower Deck (5808 All Decks Except 52, 56)  
(5808-1 52, 56 Decks)



Adjacent to Blower Discharge Chute  
through Body (5804)



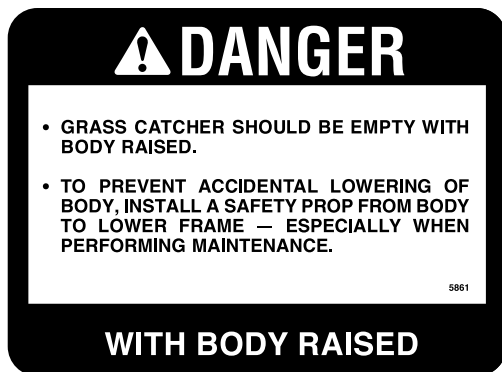
SD Deck Discharge Shield (5848)



Engine Shroud (5855)



Rear of Grass Catcher Exhaust Screen (5869)



Underside of Body (5861)



Hydrostat Oil Reservoir



Catcher Safety Latch,  
RH Side (5874)  
(6.7 Catcher only)



Gear Axle (5810-1)



LH Side of Body,  
Above Muffler (5805)



Lower Front Body (6807)



Bridge Assembly and  
LH Gear Axle (5810-3)

# Safety Instructions

## SAFETY, CONTROL, AND INSTRUCTION DECALS

Safety, Control, and Instruction Decals are installed on the machine; if any are missing, illegible, or damaged, a replacement should be ordered and installed before putting the machine into operation. The Decal Part Number is listed below and in the Parts Manual.

**IMPORTANT**

WHEN GRASS IS DIRTY AND DAMP (ESPECIALLY SPRINGTIME), INSIDE BLOWER HOUSING MAY ACCUMULATE A DEPOSIT OF DIRT, CAUSING WEAR AND BINDING OF BLOWER WHEEL. UNDER THESE CONDITIONS, CHECK BLOWER WHEEL **FREQUENTLY** FOR BINDING AND USE PRESSURE WASHER TO CLEAN DEPOSITS—BLOWER WHEEL **MUST SPIN FREELY.** 5819

Top of Blower Housing (5819)

**CUTTING HEIGHT ADJUSTMENT**

DECK SUPPORT PIN →

CUTTING HEIGHT INCHES	TOP HOLE	1
1-1/2	2	2-1/2
3	3-1/2	4
BOTTOM HOLE		

5807-3

**CAUTION**

STOP ENGINE BEFORE ADJUSTING CUTTING HEIGHT

Deck Gearbox Cover (5807-3)

CHECK OIL EVERY 25 HOURS

FILL WITH 90 EP GEAR OIL

7827

Jackshaft Support Adjacent to Dipstick (7827)

**BLADE CLUTCH**

**WARNING**

DO NOT ENGAGE CLUTCH WITH PTO SHAFT DISCONNECTED

Right Side of Body (5806)

**IMPORTANT**

TIGHTEN BLADE MOUNTING NUTS TO 60 FT-LBS. DO NOT UNDERTORQUE OR OVERTORQUE FOR PROPER SHOCK LOAD PROTECTION. USE TORQUE WRENCH. 5865

Deck Carrier Frame (5865)

DESIGNED AND BUILT BY WALKER MFG COMPANY FORT COLLINS, CO 80528

PATENT NOS. 4,089,248 & 4,191,662 & 3,762,650 & 4,263,351 & 4,263,351

FAST

THROTTLE

IDLE

**WARNING**

READ AND UNDERSTAND OWNER'S MANUAL BEFORE OPERATING THIS MACHINE.

KEEP ALL GUARDS IN PLACE.

OPERATOR HEARING PROTECTION IS RECOMMENDED FOR CONTINUOUS OPERATION OF THIS MODEL.

DO NOT DRIVE TRACTOR WITHOUT DECK OR IMPLEMENT INSTALLED.

ON

CHOKE

OFF

**WALKER**

5802-2

Fender, LH Side (5802-2)

**DANGER**

ENGINES PRODUCE CARBON MONOXIDE WHICH IS AN ODORLESS DEADLY POISON DO NOT OPERATE IN AN ENCLOSED AREA 8819

On Engine (6810)

**DANGER**

DO NOT OPERATE MOWER WITH DECK IN TILT-UP POSITION 8647

Deck Carrier Frame (8647)

**PARKING BRAKE**

RELEASE ← → PARK

Right Side, Below Operator Seat (7809)

**DANGER** SPRING LOADED DOOR

**PINCH POINT** KEEP HANDS CLEAR OF DOOR HINGE BARS AND DOOR FRAME WITH THE DOOR OPEN. 5868

Catcher Door Hinge Bar, LH and RH Sides (5868)

**CAUTION**

DO NOT OPERATE MACHINE WITH PIVOT JOINT UNLOCKED 8653

Deck Carrier Frame (8653)

**TO RAISE BODY LIFT** ↓ **HERE**

5815

Rear Bumper (5815)

**TO START**

TRANSMISSION MUST BE IN NEUTRAL AND BLADE CLUTCH DISENGAGED.

**FORWARD SPEED CONTROL**

FAST

SLOW

NEUTRAL-PARK (P)

① TO GO ADJUST LEVER FORWARD TO DESIRED GROUND SPEED

② TO STOP PULL STEERING LEVERS TO NEUTRAL BEFORE MOVING SPEED CONTROL TO NEUTRAL

**BLADE CLUTCH** →

LIFT LEVER TO ENGAGE

ON

OFF

PTO

**IMPORTANT**

- ENGAGE CLUTCH WITH NO MORE THAN 1/2 ENGINE SPEED
- MOVE LEVER SLOWLY AND SMOOTHLY TO ENGAGE CLUTCH

7802

Fender, RH Side (7802)

# Assembly Instructions

## SETUP INSTRUCTIONS

Walker Mowers are shipped partially assembled. After uncrating the tractor and mower deck, initial setup is required.

**NOTE:** During the process of unpacking, any damaged or missing parts should be noted and reported to the delivering carrier immediately (put in writing within 15 days). The carrier will provide directions for proceeding with a claim to receive compensation for damage.

### Tire Installation (Tractor)

- Install the drive tires using the eight (8) lug bolts that are supplied with the owner's packet of materials. Bolts are torqued to 75 to 85 ft-lb (101.7 to 115.2 N·m). Drive tires are 18 x 8.50-10, 4-ply; rear tire is 13 x 6.50-6, 4-ply.

- Check and adjust the inflation of the tires. The tire inflation recommendations are:

Drive = 15 PSI (103 kPa)  
Rear = 20 PSI (137 kPa)

### Battery Service

Tilt mower body up (lift on rear of body) for battery access. Check the battery for electrolyte level and charge. The electrolyte level should be at the bottom of the vent wells [1/4 to 1/2 in. (6 to 13 mm) above plates]. If the specific gravity is less than 1.225, the battery needs charging. If the battery has been shipped dry, or is wet but needs service, refer to the following instructions.

**IMPORTANT:** Make sure battery is securely mounted in the frame. A loose battery may cause damage to the case resulting in acid leakage and severe damage to the machine. A hazard may be created by damage to critical working parts and safety systems.

#### Wet Battery Service

If the battery has been shipped wet, but the electrolyte level is low or the battery needs to be charged then:

1. Fill each battery cell with distilled water to the bottom of the vent wells.
2. Charge battery. Refer to *Battery Charging* in this section.

#### Dry Battery Service



Activating a battery can be dangerous. The battery should be taken to a reliable service station, battery store, or power equipment dealer where a trained technician can activate the battery safely. **DO NOT** attempt to activate the battery unless you are experienced in battery service work. The following activation and charging instructions are provided for use by a trained battery technician.



Battery electrolyte is a poisonous and corrosive sulfuric acid solution.

- Avoid spillage and contact with skin, eyes, and clothing - causes severe burns.
- To prevent accidents, wear safety goggles and rubber gloves when working with electrolyte.
- Neutralize acid spills with baking soda and water solution.

To fill (activate) battery with electrolyte (if battery has been shipped dry):

1. Remove the battery hold-down bar, disconnect the battery cables and lift the battery out of the tray.

**IMPORTANT:** Battery must be removed from the mower before filling with electrolyte.

**IMPORTANT:** Obtain and use only battery grade sulfuric acid electrolyte with a 1.265 specific gravity to activate the battery. **DO NOT** use water or any other liquid during initial activation.

2. Remove the filler caps and carefully fill each cell until the electrolyte is just above the plates.

# Assembly Instructions

3. After the battery is filled with electrolyte, replace the filler caps and charge the battery. Refer to *Battery Charging*.

## Battery Charging



### BATTERIES PRODUCE EXPLOSIVE GASES

- Charge the battery in a well-ventilated area, so that gases produced while charging can dissipate.
- Keep sparks, flames, and smoking materials away from the battery at all times.
- Make sure the battery cap vents are open after the battery is filled with acid (check manifold vent on each cap).
- Make sure the battery charger is unplugged before connecting or disconnecting cables to the battery.

1. Charge the battery at 15 amps for 10 minutes. **DO NOT** exceed 20 amps maximum recommended charging rate. Charge until specific gravity is at least 1.250. Total charging time should not exceed one (1) hour.
2. After charging the battery, adjust the electrolyte level to the bottom of the vent wells [1/4 to 1/2 in. (6 to 13 mm) above the plates].

**IMPORTANT:** **DO NOT** overfill the battery. Electrolyte will overflow through the vented caps onto parts of the machine and **WILL** result in severe corrosion.

3. Install battery.

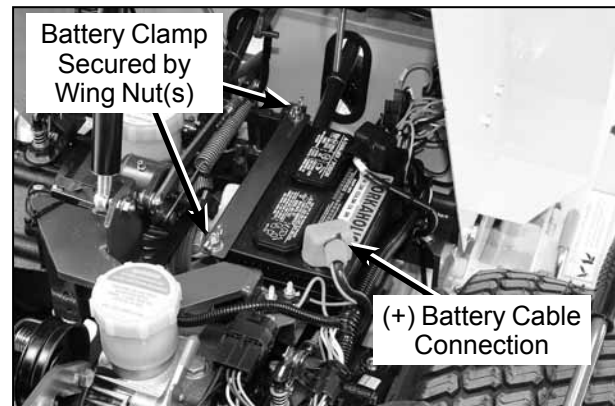
## Battery Installation

**IMPORTANT:** Make sure battery is securely mounted in the frame. A loose battery may cause damage to the case resulting in acid leakage and severe damage to the machine. A hazard may be created by damage to critical working parts and safety systems.

Install the battery in the mower as shown in **Battery Installation** photo. Connect the positive (+) first and then the negative (-) cable to the proper battery terminal [**red cable and boot connects to the Positive (+) terminal**]. Slide the rubber boot up and over the battery post, making sure it covers the post completely to **prevent an electrical short**.



**Make sure the battery cap vents are open. Improper venting of the battery COULD cause a battery explosion.**



**Battery Installation**

## Mower Deck Assembly

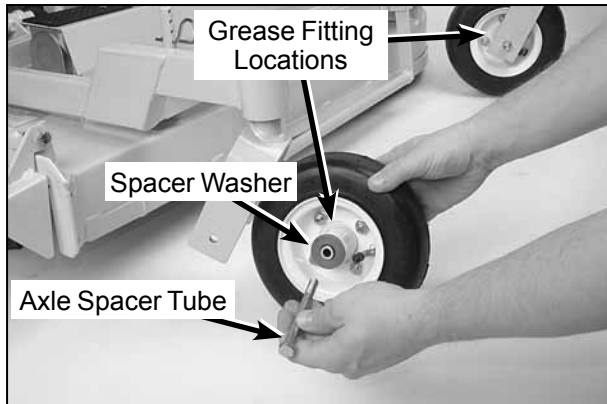
### Deck Caster Wheels Installation

1. Remove the bolt, nut, axle spacer tube, and spacer washers from each deck caster wheel fork.

**NOTE:** Spacer washers are used only when the optional semi-pneumatic deck wheels (8.25 x 2.75) are installed.

2. Fit the axle spacer tube through the wheel hub, position the spacer washer on each side of the hub (if used), and fit the assembly into the wheel fork.
3. Insert the 3/8-16 x 4-1/2 in. bolt through the wheel fork with the bolt head to the outside and install the 3/8-16 in. Keps nut.
4. Tighten the bolt and nut until the axle spacer tube bottoms against the inside of the wheel fork (will not turn) while the wheel and spacer washers (if used) spin freely without binding.

# Assembly Instructions

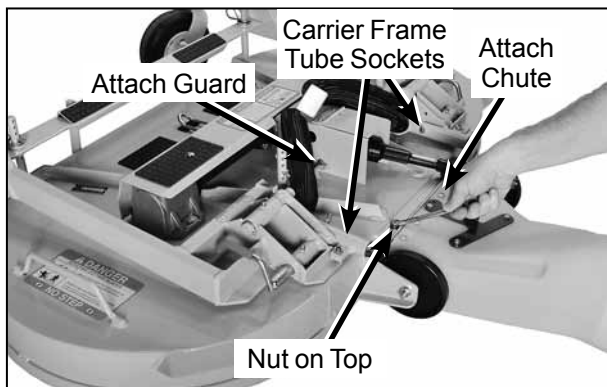


## Deck Caster Wheel Installation

5. Grease the caster wheel bearings and caster pivot bearings - one grease fitting for each wheel and each pivot.

## Deck Discharge Chute Installation (GHS Rear Discharge Models Only)

Mount the discharge chute hinge on top of the deck discharge opening using the 1/4-20 x 1/2 in. socket button head screw and 1/4-20 ESNA nut. Position the screw with the head inside of the chute and the nut on the outside. Attach spring for tilt-up action from chute to bracket on deck.



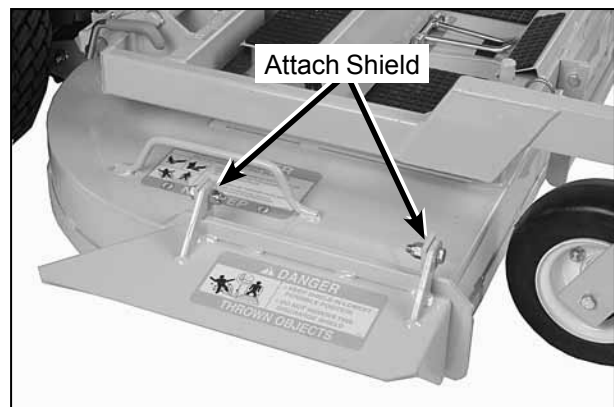
## Discharge Chute and PTO Shaft Guard Installation on Rear Discharge Deck

## Deck Discharge Shield Installation (Side Discharge Models Only)

Attach the deck side discharge shield by positioning the shield hinge lug in **front** of the deck mount and fastening with two (2) 3/8-16 x 1-1/4 in. bolts, 3/8-16 ESNA nuts, and 3/8 in. wave spring washers. The wave washers fit between the two hinging surfaces. Tighten the nuts until the shield moves freely but is not loose.

### **WARNING**

**DO NOT** operate the machine without the grass deflector shield attached and in the lowest possible position.



## Discharge Shield Installation on Side Discharge Deck

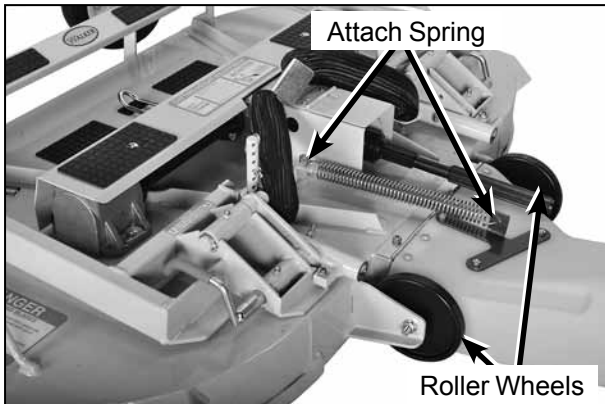
## PTO Shaft Guard Installation

Position the shaft guard as shown and mount with two (2) 1/4-20 x 1/2 in. bolts.

## Tilt-Up Roller Wheel Installation

Mount the two (2) tilt-up roller wheels on the brackets on the rear skirt of the deck housing using the P/N 8490 axle bolt, 3/8 in. wave spring washer and 3/8-16 in. Whiz locknut. Tighten the axle bolt until the wheel rolls freely, but is not loose.

# Assembly Instructions

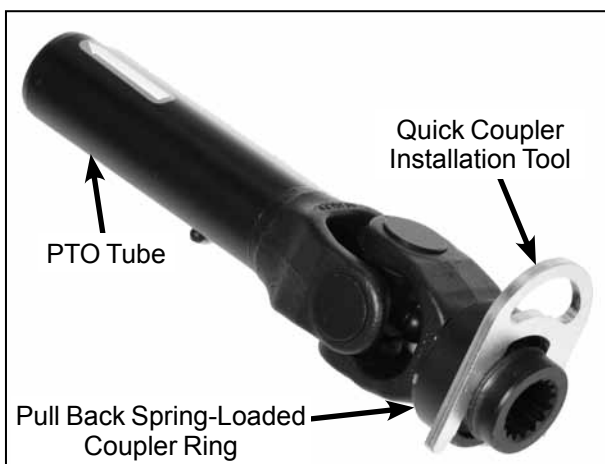


**Tilt-Up Spring and Roller Wheel Installation on Rear Discharge Deck**

## Mower Deck Installation on Tractor

### Deck Installation

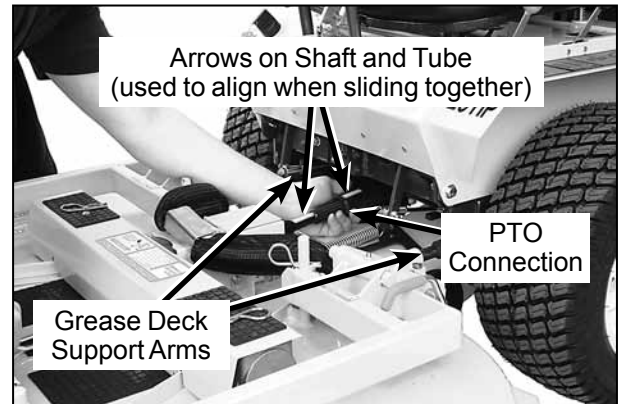
1. Lightly grease each deck support arm (2) on the tractor. Refer to **Mower Deck Installation** photo for location of deck support arm.
2. Engage the deck carrier frame tube sockets on the tractor support arms (refer to **Discharge Chute and PTO Shaft Guard Installation** photo for socket location), slide the deck onto the support arms approximately 3 in. (76 mm).
3. Retract spring-loaded coupler ring on the PTO Tube (provided in owner's packet) and insert coupler tool. Refer to **Quick Coupler Installation Tool** photo.



**Quick Coupler Installation Tool**

4. Reaching under the tractor, join the PTO tube to the PTO shaft (align arrow decals). Slide the PTO tube onto the spline shaft on the tractor PTO gearbox.

**NOTE:** When installing the DSD52 Mower deck, make sure to retract the dolly wheel after mounting the deck on the tractor.



**Mower Deck Installation (PTO Shaft Connection)**

5. Slide the deck the rest of the way on the deck arms. If the deck is rear discharge (GHS equipped model), the rear discharge chute will need to be **aligned** and connected to the blower inlet during the last 2 in. (51 mm) of slide action on the support arms.

**NOTE:** Raising the mower body may be helpful in fitting and guiding the deck chute into the blower.

6. Install the hitch pin through the hole on the end of each support arm to lock the deck in place (refer to **Deck Counterweight Spring Installation** photo). Two (2) hitch pins are included in the owner's packet of materials.
7. Remove Installation Tool from coupler ring and make sure the ring has "snapped" securely on the spline shaft.

**IMPORTANT:** **DO NOT** operate tractor with Quick Coupler Installation Tool installed.



# Assembly Instructions

**IMPORTANT:** To prevent damage to the mower, make sure the PTO shaft assembly is securely locked on the tractor, with the locking balls fully seated in the groove and the ring in the full forward position (refer to the **Coupler Ring “Locked” Position** photo). After installation, pull on the shaft to check for security.



**Coupler Ring “Locked” Position**

8. Raise the mower body (instead of lifting the front of deck) and clip the counterweight springs to the receptacle on front of body. Lower the body to tension the springs. (Refer to **Deck Counterweight Spring Installation** photo.)

9. With the counterweight springs connected, the weight on the deck caster wheels should be 15 to 25 lb (6.8 to 11.3 kg); this adjustment is preset at the factory. If required, the spring tension can be adjusted by tightening or loosening the elastic stop nuts located underneath the lower spring hook, or contact your local dealer if additional help is required. Refer to **Deck Counterweight Spring Installation** photo.



**Deck Counterweight Spring Installation**

# Assembly Instructions

## Deck Leveling

1. Position mower on a smooth, level surface. Set the cutting height to the highest position - 4 in. (102 mm) - for easy access under the deck to measure blade height. Refer to **ADJUSTING CUTTING HEIGHT** in *Operating Instructions*.

**NOTE:** A block of wood cut 4 in. (102 mm) high is a convenient gauge to measure blade height above ground during the leveling process.

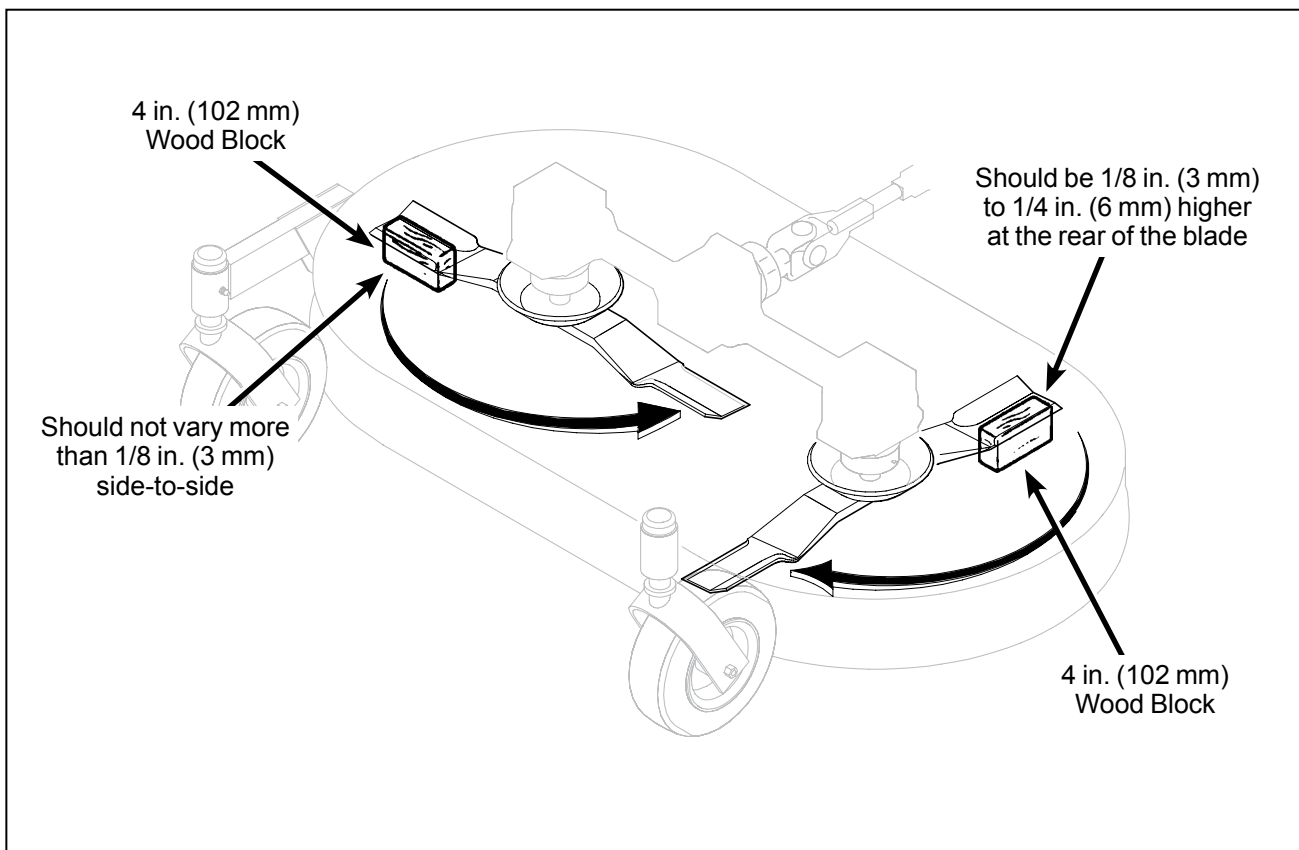


### WARNING

The machine must be shut off during this procedure.

2. Check the side-to-side level. **Rotate each blade sideways** and measure the distance from blade tip to ground on each side. If measurements vary more than 1/8 in. (3 mm), add a washer shim under the deck support pins on the low side to level the deck.
3. Check the front-to-rear level. **Rotate the blades to point forward.** Measure the distance from blade tip to ground on the front and rear. The rear of the blade should be 1/8 to 1/4 in. (3 to 6 mm) higher than the front of the blade; shim the rear (or front) deck support pins equally to achieve at least 1/8 in. (3 mm) difference.

**NOTE:** The mower deck and support frame are jig welded; within normal tolerances, very little, if any, shimming should be required to level the deck. Tire pressure will influence the levelness of the deck. Check the tire pressure as a possible cause of the deck not being level.



Deck Leveling

# Assembly Instructions

## PREOPERATING CHECKLIST

Before operating the mower for the first time, and as a routine before daily operations, it is important to make sure the mower is properly prepared and ready for operation. The following is a list of items to be checked. (For a mower with frequent operation, some of these items will not need to be checked every day, but the operator should be aware of the condition of each.)

For proper fuels and lubricants refer to **Specifications**.

FILL FUEL TANK

Fill the fuel tank using clean, fresh automotive grade **unleaded** gasoline (87 octane rating minimum).



**DANGER**

Handle gasoline with care. Gasoline is highly flammable and its vapors are explosive. Use safe refueling procedures:

- **DO NOT** fill fuel tank with the engine running.
- If the engine is hot, allow to cool before refueling.
- Use an approved fuel container.
- Fuel the mower outdoors.
- **DO NOT** smoke while refueling.
- Avoid spilling fuel; use a funnel or spout.
- **DO NOT** overfill the fuel tank; fill up to about 1 in. (25 mm) below the top of tank.

**IMPORTANT: DO NOT** permit dirt or other foreign matter to enter the fuel tank. Wipe dirt from around the filler cap before removing. Use a clean fuel storage container and funnel.

**IMPORTANT: DO NOT mix oil with gasoline.** Always use fresh, automotive grade gasoline. **DO NOT** use premium, white, or high-test gasoline. **DO NOT** use additives, such as carburetor cleaners, decicers, or moisture removing agents. **DO NOT** use gasoline blended with methyl alcohol.

CHECK ENGINE CRANKCASE OIL LEVEL

Check the engine crankcase oil level before use and **after each 8 hours** of continuous operation. Refer to **LUBRICATION** for *Checking Engine Crankcase Oil Level* in **Maintenance Instructions**.

CHECK AND SERVICE ENGINE AIR CLEANER SYSTEM

- Check air restriction gauge to make sure there is no red indication showing.
- Check condition, cleanliness, and security of the complete air cleaner system (**every 100 hours**). For detailed procedures, refer to **CLEANING** the **Engine Air Cleaner System** in **Maintenance Instructions**.

CHECK ENGINE COOLING SYSTEM

Check that the engine cooling air intake screen is free of obstruction by grass clippings or debris and clean if required. Also, cylinder head cooling fins should be inspected and cleaned if any build-up of debris is noted [remove two (2) cylinder head access panels to inspect and clean].

CHECK GEAR AXLE OIL LEVEL

Refer to **LUBRICATION** for **Gear Axle Lubrication** in **Maintenance Instructions**.

INSPECT FOUR (4) DRIVE BELTS

Engine PTO Drive, Jackshaft Drive, Hydrostatic Ground Drive, and GHS Blower Drive (if equipped).

CHECK HYDROSTATIC TRANSMISSION OIL LEVEL

Refer to **LUBRICATION** for *Checking Hydrostatic Transmission Fluid Level* in **Maintenance Instructions**.

CHECK FUNCTION OF OIL PRESSURE WARNING HORN

Turn ignition key to the **RUN** position. The oil pressure horn should signal, indicating normal function.

# Assembly Instructions

- CHECK FUNCTION OF SAFETY INTERLOCK SWITCHES

Refer to **Operating Instructions** to check for proper operation of safety switches, both during engine starting and with the operator leaving the seat with tractor moving forward or with the mower blades engaged.

- CHECK TIRE PRESSURE

Deck Caster Wheel = 20 PSI (137 kPa)  
Drive = 15 PSI (103 kPa)  
Rear = 20 PSI (137 kPa)

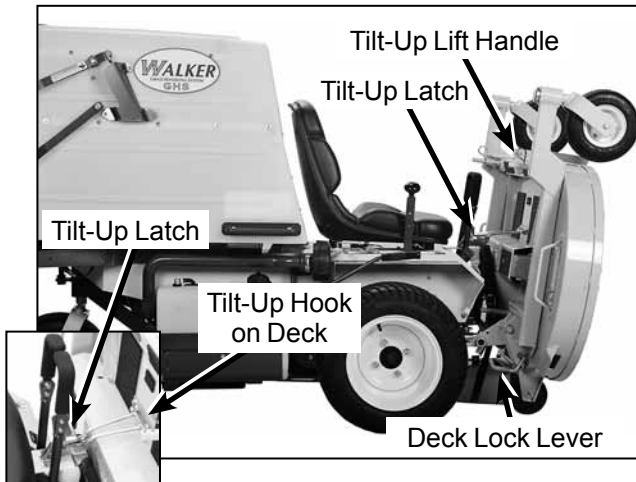
- CHECK AND CLEAN GRASS BUILDUP UNDERNEATH MOWER DECK (and inside GHS blower, if equipped)

Refer to **CLEANING** the **GHS Blower** in **Maintenance Instructions** for blower cleaning information.

## DANGER

**Never operate cutter blades with deck in raised position because it is hazardous.**

The tilt-up deck can be secured in the raised position by unlocking the deck lock levers on each side of the carrier frame and inserting the deck hook into the tilt-up latch on the tractor body. Before operating the tractor, make sure to re-engage the deck lock levers after lowering the deck to the normal operating position.



**Deck Secured in TILT-UP Position**

## CAUTION

**Do not operate machine with deck tilt-up pivot joint unlocked.**

## DANGER

**Do not operate the mower with deck in tilt-up position. Do not move the tractor with the deck in the tilt-up position.**

- CHECK MOWER BLADE CONDITION, SHARPNESS, AND SECURITY OF MOUNTING

The blade mounting nut should be tightened to 60 ft-lb (81.3 N·m). If blade sharpening is required, refer to **CHECKING/SERVICING** for **Sharpen Mower Blades** in **Maintenance Instructions**.

- ADJUST MOWER CUTTING HEIGHT, IF REQUIRED

Position the hitch pins in the four deck support pins. Refer to the "Cutting Height Adjustment" decal on the deck gearbox cover.

- CHECK DRIVE WHEEL BOLT TORQUE

The lug bolts mounting the drive tires should be tightened to 75 to 85 ft-lbs. (101.7 to 115.2 N·m).

- PERFORM ANY ADDITIONAL PROCEDURES called for on the **MAINTENANCE SCHEDULE CHART** in **Maintenance Instructions**.

# Operating Instructions

## CONTROL IDENTIFICATION, LOCATION, AND FUNCTION

### CAUTION

Before operating the mower, become familiar with the location and function of all operator controls. Knowing the location, function, and operation of these controls is important for safe and efficient operation of the mower.

### Ignition Switch

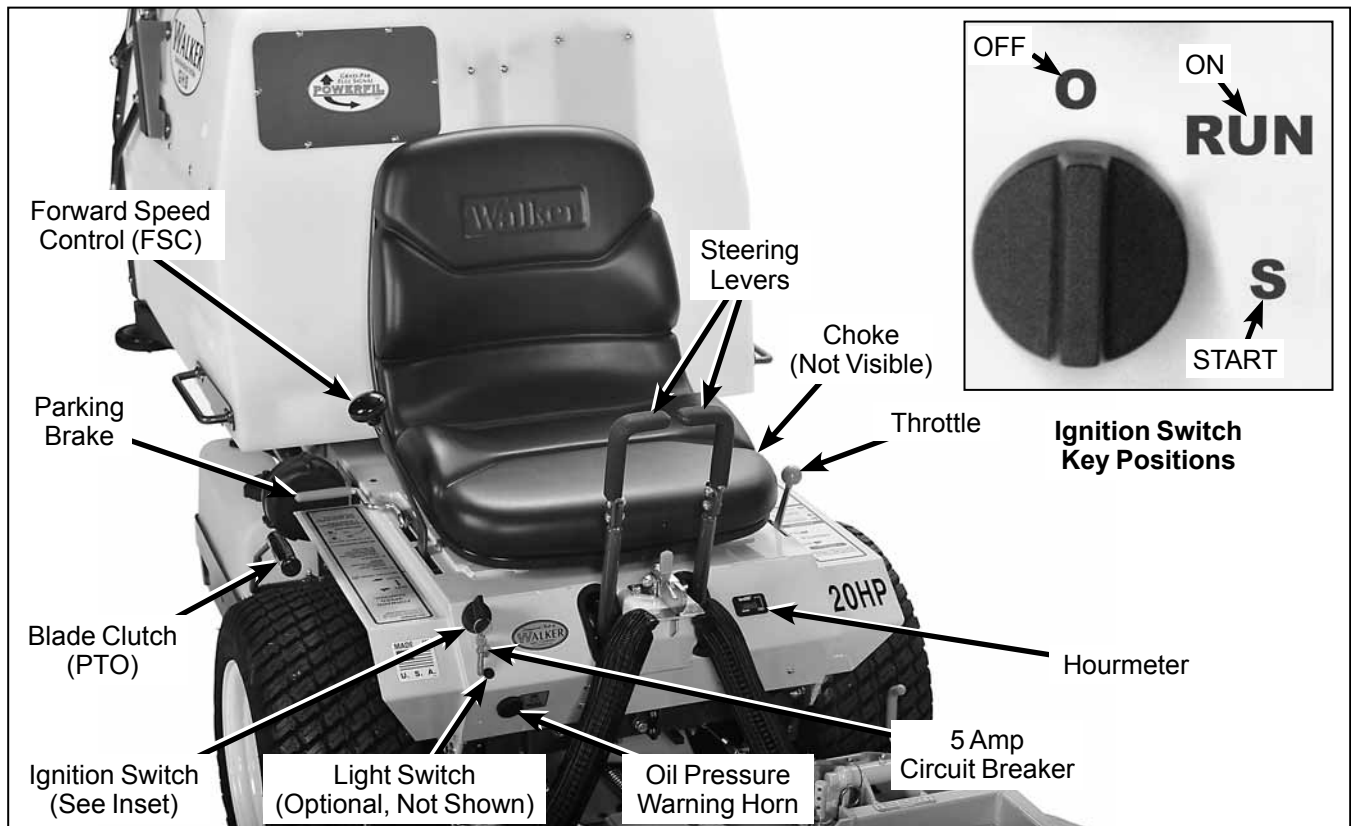
The ignition switch is located on the right front of the body and is used to start and stop the engine. The switch has three positions: "O" is the **OFF** position, **RUN** is the position the key returns to after starting, and "S" is the **START** position. When starting the engine, turn the key clockwise to the "S" position. Do not hold the key in the "S" position longer than 10 seconds. If the engine does not start, return the key to the "O" position for at least 60 seconds before

making a restart attempt. Prolonged cranking can damage the starter motor and shorten battery life. Release the key when the engine starts, and it will return to the **RUN** position. To stop the engine, rotate the key counterclockwise to the "O" position.

### Engine Choke

The choke control lever (black knob) is located on the left side of the seat. To start a cold engine, move the choke control forward to the **ON** position. After engine starts, move the choke control toward the **OFF** position, keeping enough choke to allow the engine to run smoothly as it warms up. As soon as possible, move the choke to the **OFF** position. A warm engine requires little or no choke for starting.

**IMPORTANT:** Make sure the choke is in the **OFF** position during normal engine operation; running with the choke in the **ON** position **CAN** damage the engine.

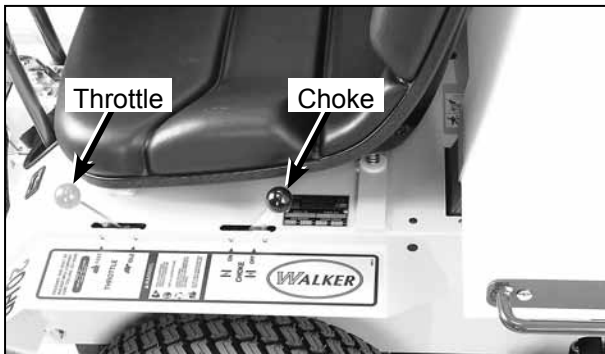


Operating Controls

# Operating Instructions

## Engine Throttle

The throttle control lever (red knob) is located on the left side of the seat and is used to control engine speed. Moving the lever **forward** toward the **FAST** position **increases** engine speed; moving it **backward** toward the **IDLE** position **decreases** engine speed.



**Choke and Throttle Location**

## Forward Speed Control (FSC)

Forward Speed Control (FSC) has two functions: One is to set forward travel speed, and the other is to establish the **NEUTRAL-PARK** position. When the FSC lever is moved into the **FORWARD** position, a friction lock holds any forward speed setting from 0 to 5 mph (0 to 8 km/h). The ground speed is proportional to the lever position; the further the lever is advanced forward, the faster the tractor moves. It is not necessary to hold the FSC in position since the friction lock maintains the selected lever position. Pulling back on the steering levers overrides the FSC setting and slows or stops forward travel. Releasing the steering levers allows the tractor to resume forward travel at the speed set by the FSC lever. To stop and park the machine, the FSC lever is moved backward to the **NEUTRAL-PARK** position.

## Steering Levers

Each drive wheel is controlled by its own independent steering lever, for both steering function and **FORWARD/REVERSE** motion. The FSC lever sets the maximum forward speed, and also sets the forward position of the steering levers. The steering levers operate **only with a backward pulling** movement of the lever, which causes the drive wheel for that lever to first slow down, stop, and then reverse with a full backward lever stroke. The levers are released to the **FORWARD** position for “straight-ahead” ground travel.

**NOTE:** Pushing forward on the steering levers will not cause **any** change in tractor motion - there will be no steering lever reaction and there will be no machine damage.

## Blade Clutch (PTO)

The blade clutch lever has two positions. Pulling the lever **UP engages** the PTO that drives the mower blades. Pushing the lever **DOWN disengages** the PTO and engages the blade brake.

**NOTE:** On GHS equipped models, the Powerfil<sup>®</sup> motor and Grass-Pak<sup>®</sup> full signal switch are activated by engaging the blade clutch. Refer to **Using the GHS Catcher** in this section for a complete description of GHS operation.

## Parking Brake

The parking brake functions by locking a pin into the hydrostatic transmission pinion gear teeth. Moving the lever **FORWARD engages** the parking brake; moving the lever **BACKWARD releases** the brake.

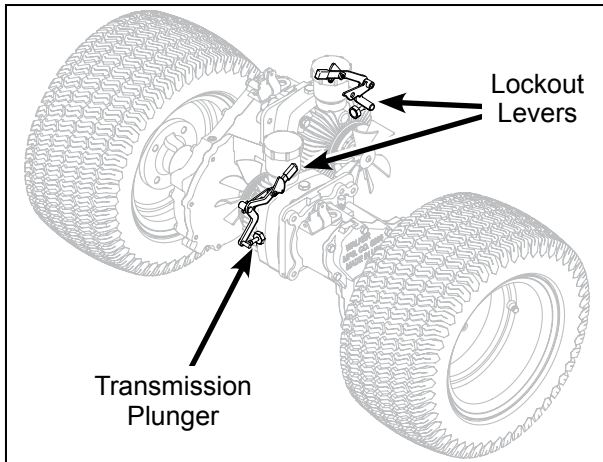
**IMPORTANT:** Stop the tractor completely before engaging the parking brake. The parking brake uses a positive mechanical lock similar to the **PARK** position on an automotive automatic transmission. If the tractor is moving when the brake is engaged, it will result in sudden stoppage and possible internal damage to the axle drive.

**NOTE:** If pressure on the parking brake pin (e.g., parked on a hill) makes it impossible to release the parking brake with the parking brake lever, move the mower gently forward or backward to release the pin.

## Transmission Lockout Levers

The transmission lockout levers disengage the hydrostatic transmissions. By **lifting** the lever on top of the transmission and locking it into place with the lockout cam, the hydrostatic transmissions are released to permit freewheeling. By releasing the cam and **lowering** the lever, the transmissions are engaged for normal operation. The transmission lever in the **LOCKOUT** position is used to enable moving the machine without the engine running (e.g., for service). Refer to **TRANSMISSION LOCKOUT** in this section for operating instructions.

# Operating Instructions



**Lockout Lever Location**

**NOTE:** The transmission plunger on the side of the transmission case (activated by the **LOCKOUT LEVER**) must be completely released during operation of the mower, otherwise operation of the transmission will be erratic.

## Hourmeter

The hourmeter, which is located on the left front of the body, displays **operating time** accumulated while the ignition switch is in the **ON** position.

The hourmeter provides maintenance reminders after certain hours of operation. The hourmeter screen will start flashing the reminder one hour prior to the recommended interval and will continue until one hour after the recommended interval (two hours). The hourmeter **does not have a manual reset function**.

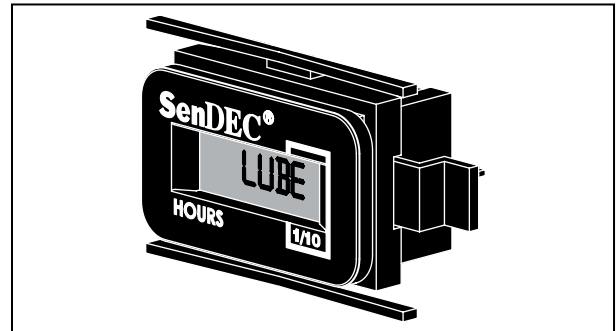
Procedure	Interval*	Reminder
Oil Change (Break-In)**	4-6 Hours	C H G OIL
Lubricate and Check Levels	24-26 Hours	LUBE
Oil Change	49-51 Hours***	C H G OIL

\* These intervals reflect the actual time that the reminder will flash (one hour prior to and one hour after the recommended interval).

\*\* This reminder is only used one time.

\*\*\* In normal operating conditions, oil changes in 100-hour intervals are acceptable. Walker and the engine manufacturers recommend engine oil changes every 50 hours in extremely dirty or dusty conditions or for units with less than 100 hours annual use.

**NOTE:** The blinking hour glass on the display means that the meter is operating properly.



**Hourmeter**

## Oil Pressure Warning Horn

The oil pressure warning horn indicates that engine oil pressure is below the safe operating range [below 3 to 5 PSI (21 to 34 kPa)]. This **horn** will come on when the ignition is turned **ON**, but should go off after the engine is started. If the horn fails to come on when the ignition switch is turned **ON**, it could indicate a faulty horn. If the horn comes on during engine operation, stop the engine immediately and correct the source of the problem before further engine operation.

**IMPORTANT:** Continued operation of the engine with oil pressure warning horn sounding **MAY** cause severe engine damage (if a low oil pressure condition exists).

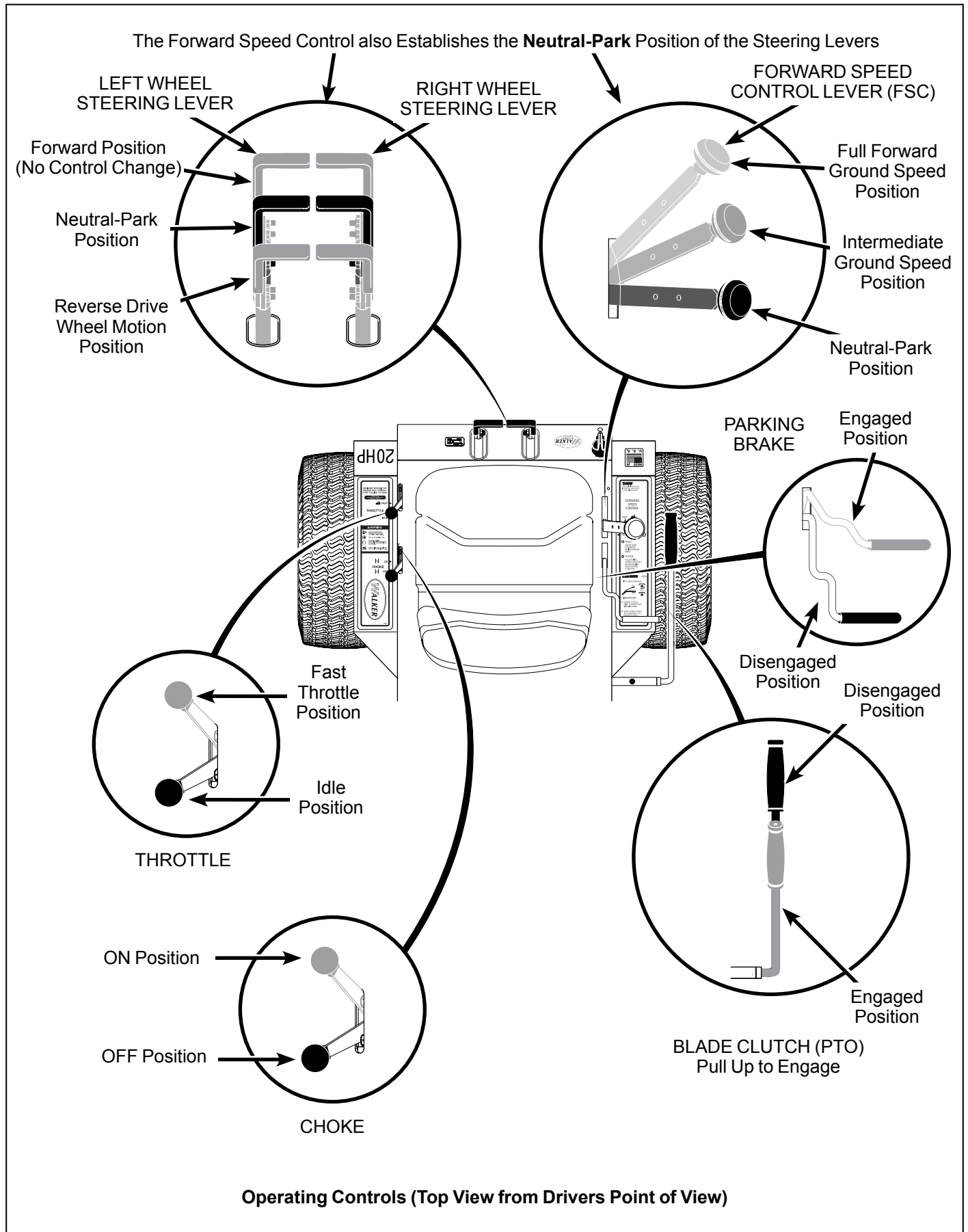
## Circuit Breaker (7 Amp)

A 7-amp, manual-reset circuit breaker is located below the ignition switch. The button pops up if the circuit breaker trips. This circuit breaker protects the circuits to the safety switch relays, time delay module, and GHS.

## Light Switch (For Optional Lights)

Operates headlights (when installed).

# Operating Instructions





# Operating Instructions

## STARTING THE ENGINE

### CAUTION

Before operating the mower, read and understand all Safety Instructions and Operating Instructions.

### WARNING

**NEVER** run the engine in an enclosed or poorly ventilated area. Engine exhaust contains carbon monoxide, an odorless and deadly gas.

1. Before attempting to start the engine, make sure the operator is in the seat, the Forward Speed Control is in **NEUTRAL-PARK** position, and the blade clutch and parking brake are **DIS-ENGAGED**.

**NOTE:** Release parking brake to prevent extra load on the starter if the transmission neutral is slightly out of adjustment.

### CAUTION

A safety interlock switch system **PREVENTS CRANKING** the engine with either the Forward Speed Control or the blade clutch (PTO) out of neutral. If the engine cranks otherwise, the safety system is not working and should be repaired or adjusted before operating the mower. **DO NOT** disconnect safety switches; they are for the operator's protection.

2. Move the choke lever to the **ON** position and move the throttle 1/4 to 1/2 open (toward **FAST**). Turn the ignition switch to the **START** position to start the engine. Release the key to **RUN** position as soon as the engine starts.

**NOTE:** The choke may not be required if the engine is warm.

**IMPORTANT:** If the engine fails to start after approximately 10 seconds of cranking, the engine should be checked before further cranking. Turn the key to the **OFF** position and allow a 60 second cool-down period between starting attempts. Failure to follow these guidelines can damage the starter motor and shorten battery life. Consult your Walker dealer or Authorized Kohler dealer for additional help.

3. After the engine starts, make sure the oil pressure horn goes off. If not, stop the engine immediately and find the cause of the problem. Make sure the oil pressure horn is off prior to engaging the mower blades and beginning operation.
4. Gradually move the choke to the **OFF** position, keeping enough choke on to allow the engine to run smoothly as it warms up. As soon as possible, move the choke to the **OFF** position.

**IMPORTANT:** Make sure the choke is in the **OFF** position during normal engine operation; running with the choke in the **ON** position **CAN** damage the engine.

## ADJUSTING GROUND SPEED AND STEERING

**IMPORTANT:** If the DSD52 Mower deck is installed on the tractor, make sure the dolly wheel is retracted **BEFORE** moving.

### CAUTION

Learn to **START, STOP, and MANEUVER** the mower in a large, open area.

If the operator has not operated a machine with **LEVER STEERING OR DUAL HYDRO-STATIC TRANSMISSIONS**, steering and ground operation should be learned and practiced until the operator is completely comfortable handling the machine **BEFORE ATTEMPTING TO MOW**.

### DANGER

Keep feet on footrests at all times when the machine is moving. Never operate the tractor without a deck or implement installed.

# Operating Instructions

1. Move the FSC out of **NEUTRAL-PARK** position to the desired forward speed. **DO NOT** hold forward on steering levers. It is not necessary to hold the FSC lever in position since a friction lock maintains the selected lever position (and forward travel speed).



## **WARNING**

In case either of the transmission drive belts break during operation, and if the machine is on a slope, the machine will freewheel down the slope. To maintain control, immediately (1) Release the steering levers and simultaneously (2) Move the FSC to the **NEUTRAL-PARK** position. When the machine is stopped or moving slowly, engage the parking brake.

**NOTE:** This is exactly the same procedure used to normally stop and park the machine.



## **CAUTION**

A safety interlock switch (seat switch) will cause the engine to stop if the FSC is out of the **NEUTRAL-PARK** position and the operator is not in the seat. The function of this switch should be checked by the operator raising off the seat with the tractor moving forward (allow 1 to 1-1/2 seconds off the seat for the time delay function); the engine should stop. If the safety system is not working, it should be repaired or replaced before operating the mower. **DO NOT** disconnect the safety switches; they are for the operator's protection.

**NOTE:** If the FSC lever will not stay in the selected position, the friction lock needs to be adjusted. Contact your Walker dealer.

2. Steer by pulling the lever on the side of desired direction of turn, e.g., pull the **LH** lever to **turn left**. To minimize the possibility of overcontrol, use only one hand on both steering levers.

### **Beginning Recommendations are:**

- ◆ Learn operation of the mower in an open area away from buildings, fences, and obstructions. Learn operation on flat ground **BEFORE** operating on slopes.
- ◆ Start maneuvering the mower with **SLOW** engine speed and **SLOW** Forward Speed Control setting until familiar with all operating characteristics.
- ◆ Remember it is not necessary to hold the steering levers forward (a unique Walker feature); always **PULL** on the levers for steering or for reverse motion of the mower.
- ◆ Learn to operate the mower with your left hand on the steering levers and right hand on Forward Speed Control. The use of two hands on the steering levers tends to cause overcontrol.
- ◆ Learn to operate the steering levers with smooth action. Jerky movements are hard on the transmission and lawn. For sharp turns, do not allow the inside wheel to stop and twist on the grass. Pull the steering lever controlling the inside wheel into reverse for a smooth "rolling" turn (one wheel rolling forward while the other rolls backward).
- ◆ Practice maneuvering the mower until you can make it go exactly where you are aiming.
- ◆ Remember, for an emergency stop, or in case of loss of control, machine movement can always be stopped quickly by pulling the Forward Speed Control into the **NEUTRAL-PARK** position.

# Operating Instructions



## Correct Operator Hand Position on the Controls

- Reverse direction of the mower by pulling both levers backward.

**NOTE:** Smooth action on the steering levers will produce smooth mower operation. Remember to keep the engine and ground speed slow until learning the control response.

- The FSC may be adjusted forward for faster ground speed and backward for slower ground speed. When mowing, ground speed should be adjusted to match the load on the cutter blades, i.e., as the engine pulls down in heavy cutting, pull back on the FSC lever to reduce ground speed. Adjusting ground speed helps maintain a balance between engine power and blade speed for high-quality cutting action.
- Stop ground travel by pulling both steering levers backward to the **NEUTRAL** position (tractor not moving) and then moving the FSC lever to the **NEUTRAL-PARK** position.

**NOTE:** If the tractor creeps forward or backward with the FSC lever in the **NEUTRAL-PARK** position, the transmission control needs to be adjusted. Contact your Walker dealer.

## ENGAGING THE MOWER

- Set the engine throttle at about 1/3 speed. **Do not attempt to engage the blade clutch at high engine speeds.** This will drastically shorten drive belt life. Use only moderate engine speed when engaging the blade clutch.
- Pull the blade clutch lever **SLOWLY** up to engage the mower blades.

### CAUTION

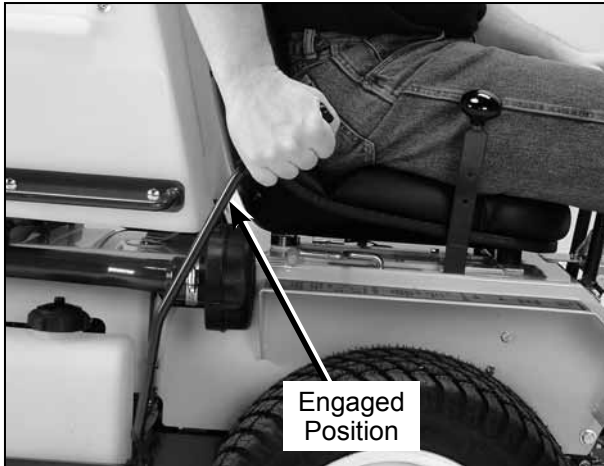
A safety interlock switch (seat switch) will cause the engine to stop if the blade clutch is engaged and the operator is not in the seat. The function of this switch should be checked by the operator raising off the seat and engaging the blade clutch; the engine should stop. If the switch is not working, it should be repaired or replaced before operating the mower. **DO NOT** disconnect the safety switches; they are for the operator's protection.

**IMPORTANT:** **DO NOT** engage the blade clutch when transporting the mower across drives, sidewalks, loose materials, etc. **DO NOT engage the blade clutch with the PTO shaft disconnected** (the mower deck removed from tractor).

### CAUTION

If the cutting blades strike a stationary object while mowing, stop the mower immediately, disconnect the spark plug wires, lift the deck, and inspect the deck and blades thoroughly for damage. Make sure that the blade timing has not been disturbed (the blades should be at 90 degrees to each other). Refer to **REPLACING/REPAIRING the Blade Overload Shear Bolts in Maintenance Instructions** if blades are out of time. Also, make sure the blade retaining nuts are torqued to 60 ft-lb (81.3 N·m).

# Operating Instructions



**Blade Clutch Engaged**



**Blade Clutch Disengaged**

## STOPPING THE MACHINE

1. Pull the steering levers to the **NEUTRAL** position and then move the FSC lever backward to the **NEUTRAL-PARK** position.
2. Slow the engine to a fast idle; put the throttle in the 1/2 throttle position.
3. Disengage the blade clutch.

**IMPORTANT:** DO NOT disengage the blade clutch with high engine speed (above 1/2 throttle) since the brake action on the blade drive will cause premature wear of the brake band.

## **WARNING**

A brake stops the cutter blades (and blower on GHS equipped models) from freewheeling within five (5) seconds after disengaging the clutch. If the brake system malfunctions and the blades do not stop within five (5) seconds, the brake should be adjusted or repaired before operating the mower. Contact your Walker dealer.

4. Slow the engine to idle, put throttle in **IDLE** position; and turn the ignition switch **OFF**.

## **WARNING**

Remove the key from the ignition switch when leaving the mower unattended. This will prevent children and inexperienced operators from starting the engine.

5. Engage the parking brake. Also, engaging the parking brake is recommended when stopping or parking the machine in a confined space with little tolerance for movement.

**IMPORTANT:** The hydrostatic transmissions lock to prevent the mower from rolling freely with the engine stopped. However, if the mower is parked on a slope, it is necessary to **ENGAGE** the parking **BRAKE** to prevent the mower from creeping. This is due to a small amount of slippage in the hydrostatic transmissions, especially when transmission fluid is warm.

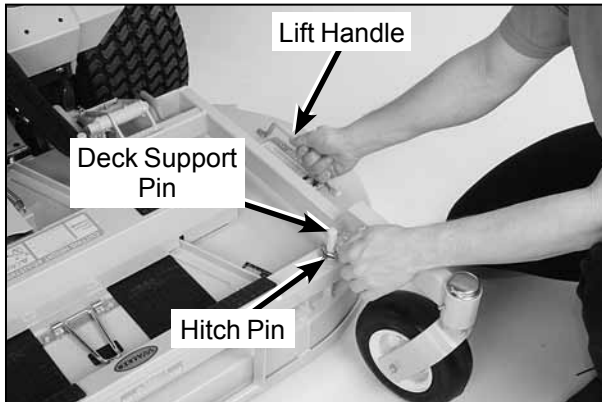
## ADJUSTING CUTTING HEIGHT

## **WARNING**

The engine must be stopped before adjusting cutting height. Disengage the blade clutch (PTO), stop the engine, and remove the ignition key. Wait for all movement to stop before getting off the seat.

# Operating Instructions

Cutting height is adjusted by positioning the four retainer hitch pins in a series of seven vertical holes on the deck support pins. Lift handles have been provided on each end of the deck to assist in raising the deck while positioning the hitch pins. Cutting heights range from 1 in. (25 mm) [top holes] to 4 in. (102 mm) [bottom holes] in 1/2 in. (13 mm) increments.



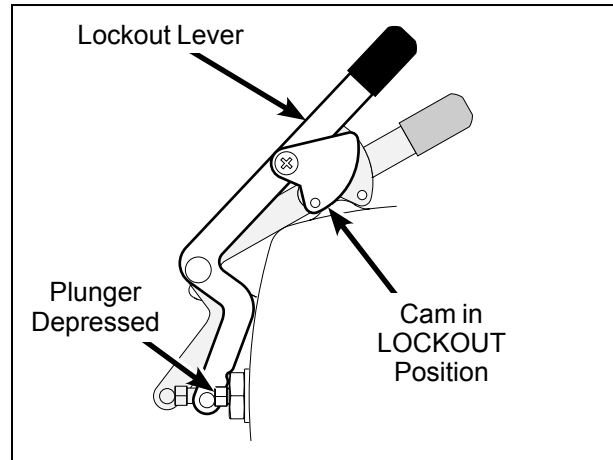
**Cutting Height Adjustment**

## TRANSMISSION LOCKOUT

**IMPORTANT: DO NOT TOW** this mower with the transmission lockout engaged. Towing can produce excessive internal pressure and damage the transmission.

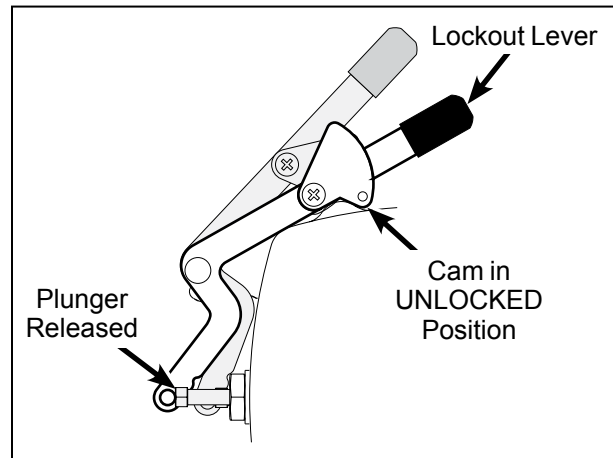
To move the mower with the engine **NOT** running (dead battery, maintenance, etc.), the hydrostatic transmissions are unlocked (released).

1. Raise the body.
2. Lift the transmission lockout lever on both the RH and LH transmissions and secure into place with the locking cam.
3. The mower will “freewheel” with the levers in the **LOCKOUT** position. The levers must be in the highest position to completely unlock the transmissions.



**Lockout Lever - Freewheel Position**

4. After moving the mower, release the locking cam, placing the lever **DOWN** in the normal **OPERATING** position. Make sure the transmission lockout plunger on the side of the transmission case (activated by the lockout lever) is **completely released**, otherwise the transmission operation will be erratic.



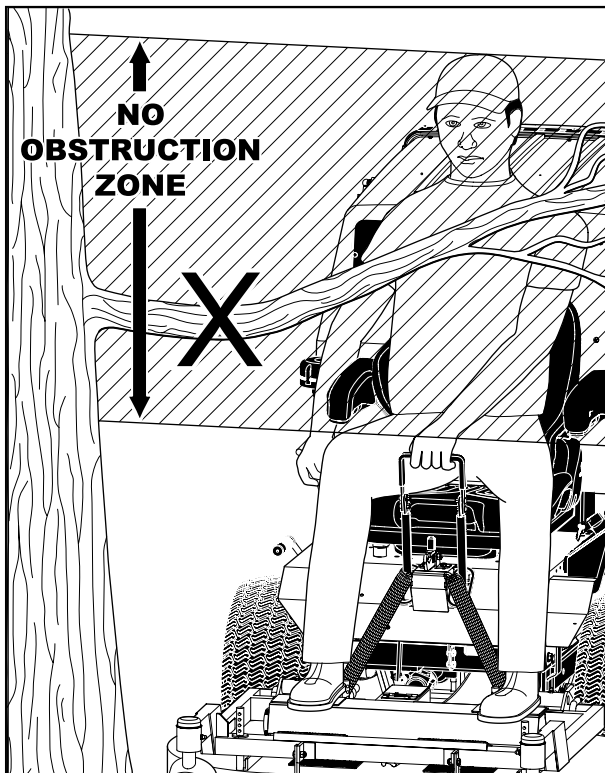
**Lockout Lever - Normal Operating Position**

# Operating Instructions

## RECOMMENDATIONS FOR MOWING

### **DANGER**

Do not mow around overhanging tree branches or bushes at the same height as the operator's torso and head where inadvertent contact may cause injury.



### **Avoid Low Hanging Branches**

**IMPORTANT:** Operate the engine at **full throttle** when mowing, to allow the engine to produce full horsepower and to increase efficiency of the engine cooling system.

- Keep the mower deck and discharge chute clean.
- Mow with **sharp blades**. A dull blade tears the grass (resulting in poor lawn appearance) and uses extra power (slowing the mowing speed).
- It is preferable to cut grass when it is **dry** and **not too tall**. Mow frequently and do not cut grass too short. (For best appearance, cut off 1/3 or less of existing grass height.)

- When mowing, operate the engine at or near **full throttle** for the best cutting action and performance of the grass handling system (GHS). Mowing with a lower engine RPM causes the mowing blade to not cut clean and tear the grass. The engine is **designed to be operated at full speed**.

- When mowing in adverse conditions (tall and/or wet grass), mow the grass twice. Raise the mower to the highest setting - 4 in. (102 mm) - for the first pass and then make a second pass cutting to the desired height.

- Use a **slow** setting on the FSC for **trimming** operations.

- Make sure the mower is **leveled properly** for a smooth cut. Refer to *Deck Leveling* in **Assembly Instructions**.

- Use an alternating **stripe mowing pattern** for **best appearance** and vary the direction of the stripe each time the grass is mowed to avoid wear patterns in the grass.

- Avoid damage to the grass by slipping and skidding of the drive tires. Use **smooth control movements** of the steering levers since the hydrostatic transmissions are "power boosted controls" and jerking the levers can easily slip the tires. For sharp turns, do not allow the inside wheel to stop and twist on grass; pull inside steering lever into reverse for a smooth "rolling" turn (one wheel rolling forward while the other rolls backward).

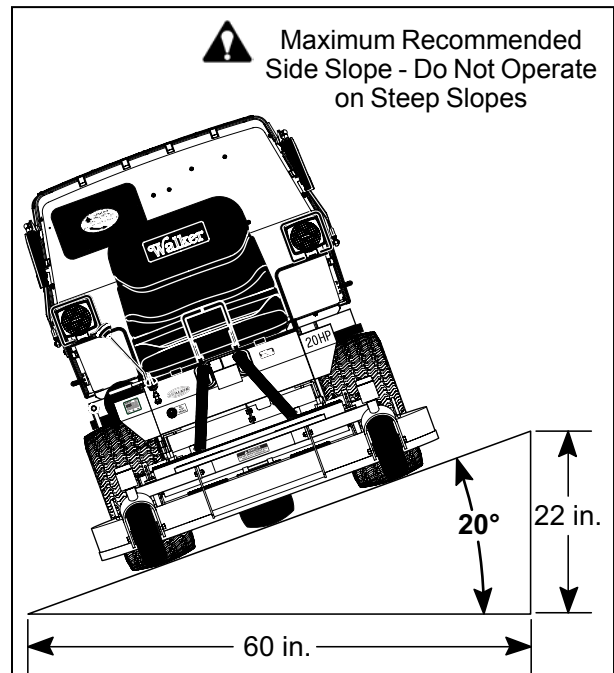
# Operating Instructions

- When using a side discharge mower deck, the side discharge shield **must not be removed** and must be kept in the lowest possible position to deflect grass clippings and thrown objects downward. Orient the side discharge away from sidewalks or streets to minimize cleanup of clippings. When mowing close to obstacles, orient the side discharge away from obstacles to reduce the chance of damage to property by thrown objects.



Side Discharge Shield in Lowest Position

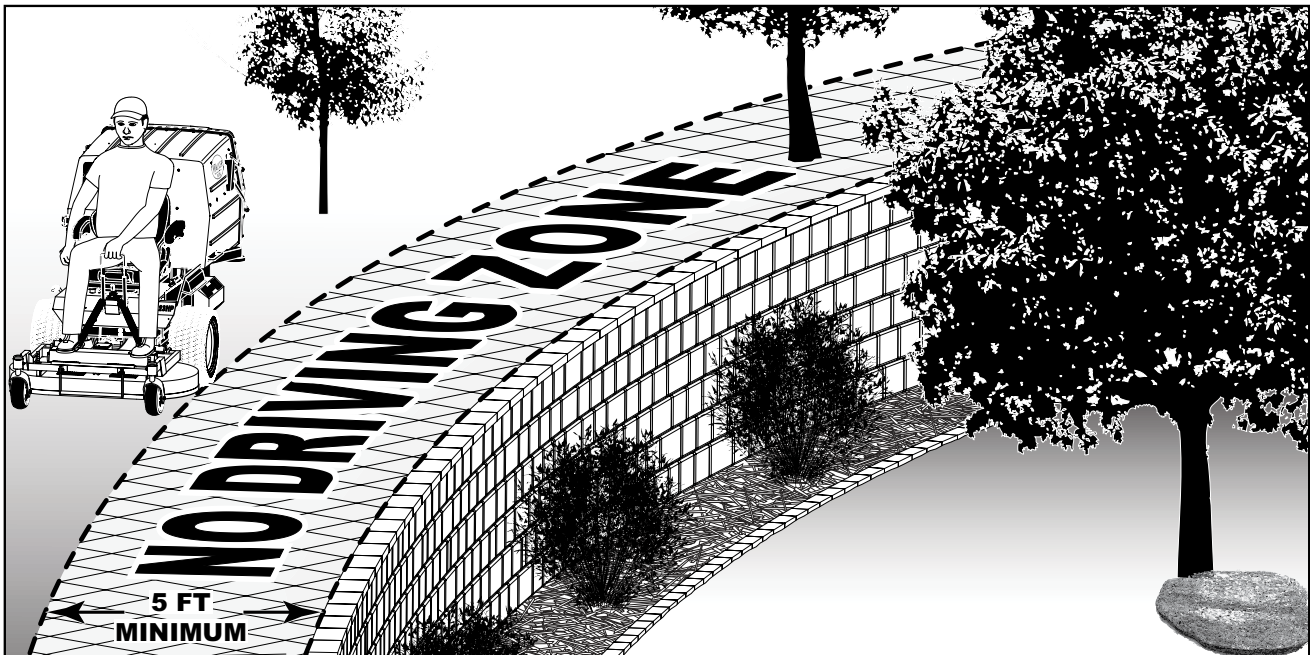
- When operating on a slope, **reduce speed and use caution** to start, stop, and maneuver. Avoid sharp turns or sudden changes in direction. The **maximum recommended side slope operating angle is 20 degrees or 33% grade.**



Maximum Recommended Side Slope

**⚠ DANGER**

Do not mow or dump grass within 5 feet (1.5 meters) of an embankment or retaining wall with drop off.



No Driving Zone

# Operating Instructions

## RECOMMENDATIONS FOR TILT-UP DECK OPERATION/TRANSPORT

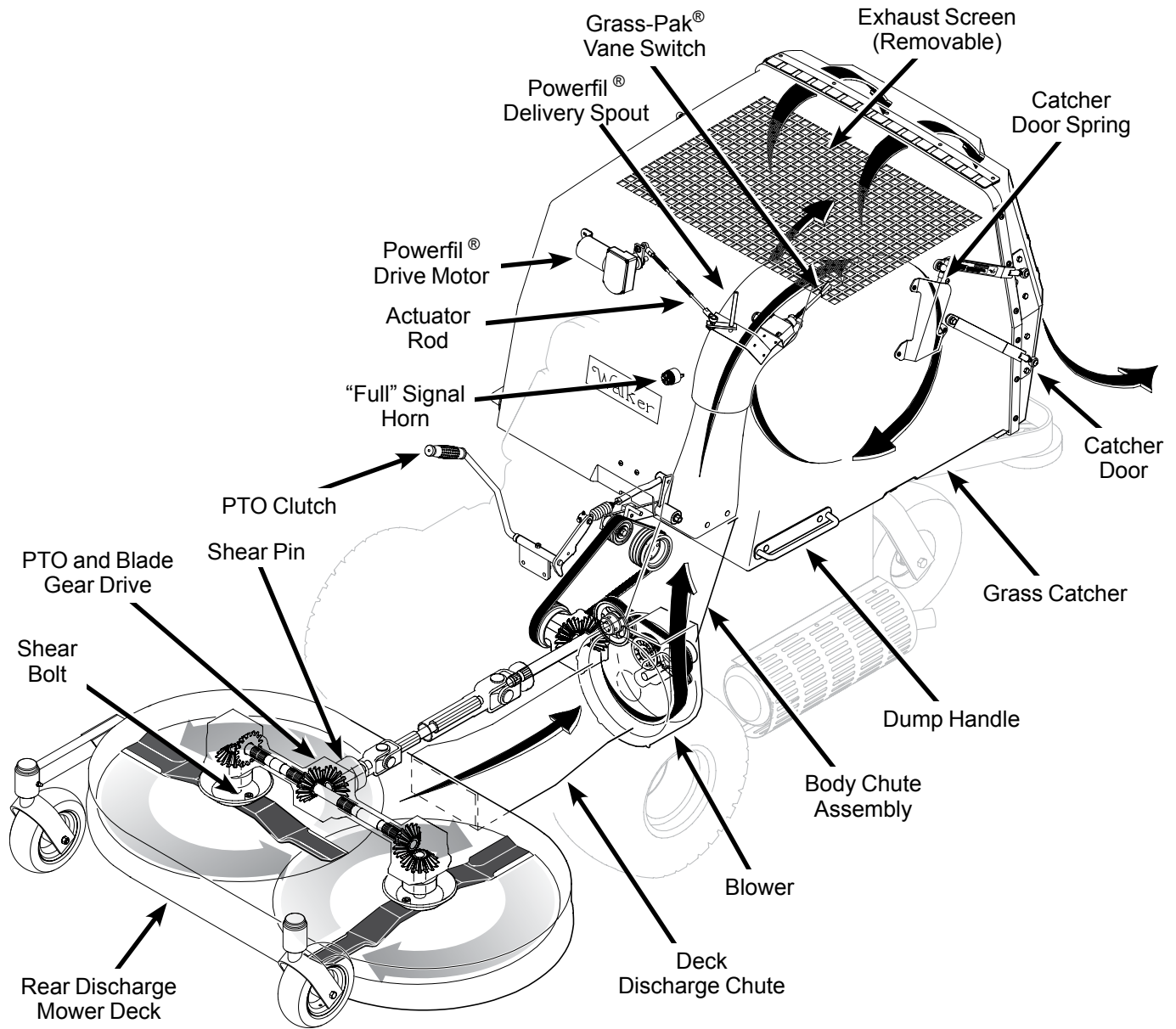
To avoid potential deck and/or tractor damage while using the tilt-up deck, the following recommendations are offered:

- **Do not move the tractor** with the deck in the tilt-up position since both the roller wheels (on the back of the deck) and the GHS discharge chute may be damaged by moving the tractor. The tilt-up configuration should only be used when the tractor is parked.
- The tractor **body should never be tilted forward** with the deck in the tilt-up position. This can cause the deck to unhook from the tractor and fall with considerable force, potentially causing deck or tractor damage and/or bodily injury.
- When transporting a tractor with the deck in the tilt-up position (on a truck or trailer), the **deck should be secured** to the vehicle with a strap or rope (stop vertical movement). This will prevent the deck from bouncing on the rear roller wheels (causing breakage). This will also prevent the deck from unhooking from the tractor and falling, potentially causing deck or tractor damage. Damage to other items parked in front of the deck may also occur.



# Operating Instructions

## GRASS HANDLING SYSTEM (GHS) GHS Model Only



GHS Flow and Components

# Operating Instructions

## General Information

The Grass Handling System (GHS) consists of a rear discharge mower deck connected to a 10.5 in. (27 cm) blower and a rear mounted grass catcher with 10.0 bushel (352 liters) capacity or optional 6.7 bushel (238 liters) capacity. The GHS blower operates any time the mower blade clutch is engaged and moves grass through the rear discharge deck chute into the grass catcher. Blower airflow is exhausted out the back of the grass catcher, through a filtering screen. When the grass catcher is full and needs to be emptied, a “full” signal horn alerts the operator. When the “full” signal horn sounds, it is important to stop mowing to prevent overfilling and clogging of the blower system.

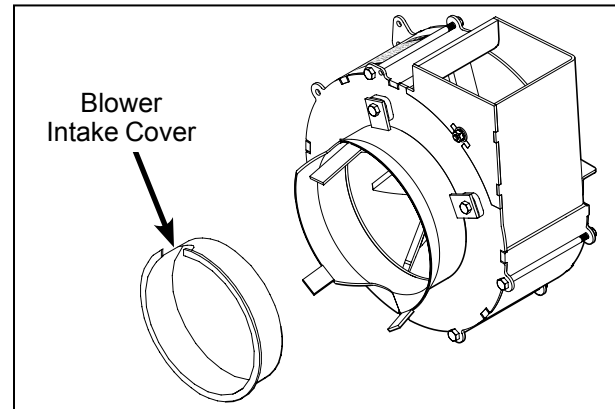
**IMPORTANT:** Normally, the GHS blower operates with no maintenance or cleaning required. However, under certain operating conditions, the inside of the blower housing may accumulate a deposit of dirt, causing wear and binding of the blower wheel. Normally, dirt buildup occurs when mowing a **combination of dirty and damp grass**, especially in the springtime. When operating in these conditions, **check the blower wheel frequently** for binding and clean the blower housing as required. Refer to **CLEANING the GHS Blower** in **Maintenance Instructions**.

**NOTE:** In Autumn, when using the GHS mower to vacuum leaves, it is recommended to raise the **front** of the mower deck 2 to 3 notches [1 to 1-1/2 in. (25 to 38 mm)] **higher than the rear**. This will avoid “bulldozing” leaves, particularly when the leaves are piled in a thick layer. To make this adjustment, the hitch pins in the **two (2) front** deck support pins are repositioned 2 to 3 notches higher while leaving the rear pins in their original position.

### **DANGER**

**NEVER** operate the GHS catcher with the back door open. Objects may be thrown out the back of the catcher with sufficient force to cause serious injury to bystanders or property damage. **NOTE:** For non-catching operation, the “No-Catch” Deflector is an available accessory item.

**NOTE:** When a side discharge or mulching mower deck is installed on the GHS model, a blower intake cover should be installed in the blower intake tube. This cover “unloads” the blower and seals the intake to effectively eliminate power loss and blower noise when the blower is not being used.



**Blower Intake Cover**

**NOTE:** An alternative to using the blower intake cover when a side discharge or mulching deck is installed on a GHS model is the blower lockout kit (P/N 7541). The blower lockout kit releases tension on the blower drive belt and does not require the blower intake cover.

### **DANGER**

#### **ROTATING BLOWER BLADES**

**NEVER** operate the GHS blower with the blower discharge chute uncovered (grass catcher in the dump position) since dangerous projectiles may be thrown. **NEVER** put hands into the blower discharge chute for any reason. Use a stick or similar instrument to remove any material if clogging has occurred.

### **CAUTION**

**NEVER** leave grass clippings in the grass catcher after mowing. Damp clippings generate heat as they decompose. This **MAY** cause spontaneous combustion.

# Operating Instructions

## Clogging Checklist

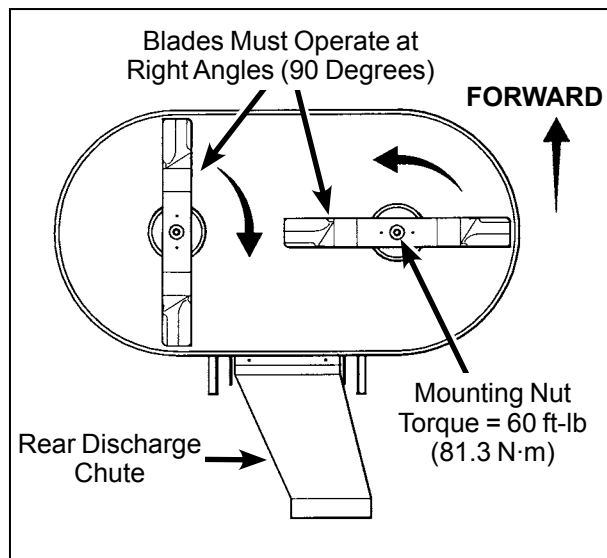
In case of clogging, there will be a **distinct change in the sound** of the blower, i.e., the blower sound will stop. Also, the mower deck will begin to leave a trail of grass clippings. When this occurs, stop the engine, disconnect the spark plug wires, and make **sure all movement has stopped before attempting to unclog**.



**NEVER** place hands under the mower deck or in the GHS blower discharge chute. Use a stick or similar tool to remove any clogged material.

Normally, any clogging will first develop at the back of the mower deck in the discharge opening into the blower chute. Clogging at this point **does not indicate a particular problem in this part of the system, but is a symptom of something restricting the flow of material** throughout the entire system. The following list of items should be checked if a pattern of clogging begins to develop. All of these items are capable of causing clogging at the back of the deck.

- Check to see if the RH and LH mower blades are installed **for the correct rotation** - install blades so the cutting edges move toward each other.



**Blade Rotation for GHS Mower Deck  
(View from Underneath)**

- Check the amount of **flat section** remaining at blade tip. This is the area that is ground away (removed) when the blades are sharpened. If too much of the flat section is removed, the “air lift” performance or “shovel” effect of the blade deteriorates to the point that discharge of grass clippings into the blower chute is marginal. Replace cutter blades if less than 3/4 in. (19 mm) flat section remains at the blade tip.

- Check that the interior of the deck housing and baffling is reasonably **clean and free of grass and dirt buildup**. While some degree of material buildup can be tolerated, a point is finally reached where the flow of air and grass clippings is restricted.

**NOTE:** One condition that quickly causes a buildup of material in the deck housing is mowing grass and/or weeds which are “juicy.” The material collects under the deck with sticky, green juice. Clover and weeds are especially a problem. The mower deck will need to be cleaned frequently when operating in these conditions.

- Check the deck cutting height setting. When working in thick, tall grass, **lower deck settings [1 to 2 in. (25 to 51 mm) cutting heights] tend to restrict airflow** from moving into and under the deck. Raising the deck cutting height will significantly increase airflow and reduce clogging when working in thick, tall grass.

- Check the interior of the chute connecting the mower deck to the blower for **smoothness and freedom from obstruction**.

- Check the blower wheel for **bent blades and excessive clearance** between the blade tip and the blower housing. A clearance greater than 1/8 in. (3 mm) will cause a significant loss of blower performance.

- Check the blower discharge chute into the grass catcher for **smoothness and freedom from obstruction**.

- Check the elbow inside the grass catcher for a **buildup of material in the radius** of the elbow. In certain conditions (damp/dirty grass) a considerable “clump” of material can accumulate at this point, greatly restricting material and airflow.

- Check that the **openings in the removable air exhaust screen** in the grass catcher are not plugged. If the screen is clogged, refer to **Cleaning the GHS Exhaust Screen** in this section.

# Operating Instructions

**NOTE:** An optional exhaust screen with larger holes (3/4") is available for use when mowing in wet grass; the screen provides less airflow restriction and more clog resistance (use standard screen in dry conditions to avoid excessive material blowing out of the catcher).

Remember, anything that restricts airflow or material flow along the entire path from the mower deck to the grass catcher can cause clogging.

## Using the Tilt-Up Deck

Refer to **CLEANING of Grass Buildup in Mower Housing** in **Maintenance Instructions**.

## Using the GHS Catcher

### *Powerfil*®

The GHS catcher has an oscillating grass delivery spout (**POWERFIL**®) which is designed to spread grass clippings throughout the interior of the grass catcher (even when mowing wet, heavy grass). The oscillating action may be checked by turning the ignition switch to the **ON** position and moving the blade clutch to the **ENGAGED** position. The spout should oscillate approximately 25 cycles per minute.

**NOTE:** If the grass spout fails to oscillate, the clutch switch should be checked for function (the switch closure is adjustable).

### *"Full" Signal Horn*

The GHS catcher has a **"full" signal horn** to alert the operator to **dump the catcher when it is full** (to prevent overfilling and clogging). The "full" signal horn is activated by a vane switch (Grass-Pak® switch) mounted on the grass delivery spout. Oscillating action of the spout triggers the vane switch as grass begins to fill in around the spout when the catcher is almost full.

The "full" signal function may be checked by turning the ignition switch **ON**, engaging the blade clutch (engine not running), opening the catcher back door, and triggering the Grass-Pak® vane by hand as it oscillates. The horn should sound as the switch is moved in both directions.

## **WARNING**

**DO NOT test the Grass-Pak® switch with the engine running. Projectiles may be thrown out of the grass delivery spout, and COULD cause serious injury.**

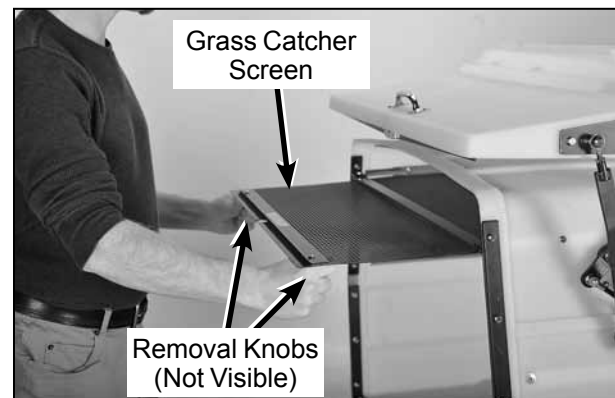
The "full" signal horn is designed to operate (sound) when the grass catcher is **almost full**. The timing of the signal is adjustable by changing the position of the vane on the Grass-Pak® switch. If the signal is coming on too soon (catcher not completely full) or too late (grass clogging in catcher spout and delivery chute), refer to **ADJUSTMENTS for GHS Signal Horn Adjustment** in **Maintenance Instructions**.

**NOTE:** The horn signal should be adjusted to sound **BEFORE the catcher is completely full** to give the operator time to react and stop mowing. An indication the horn signal is coming on too late (delayed too much) is if grass clippings are falling out of the grass catcher delivery chute when the catcher is dumped.

## Cleaning the GHS Exhaust Screen

To remove the grass catcher screen for cleaning, open the catcher door, push forward and pull down on the grass catcher screen knobs (on either side of the screen), and slide the screen out. Use a high pressure washer or water spray and brush to clean the screen.

Keeping the catcher exhaust screen clean and open is essential to good performance of the catching system. In some mowing conditions, e.g., wet and dirty, it will be necessary to clean the screen frequently to avoid clogging the mower deck, blower, and chutes due to airflow restriction.



**Grass Catcher Screen Removal for Cleaning**

# Operating Instructions

## Dumping the Catcher

### **DANGER**

**Do not mow or dump grass within 5 feet (1.5 meters) of an embankment or retaining wall with drop off.**

For dumping, the catcher either tailgate dumps into a disposal area or dumps into the optional dump bag. The dump bag is a **reusable** nylon fabric bag designed to conveniently move grass clippings from the catcher to a remote disposal area or container.

### **CAUTION**

**Use leg muscles and firm footing when lifting the catcher to dump; avoid bending at the waist and using back muscles to avoid back injury.**

## Tailgate Dumping

1. Open the back door by lifting on the door handle.

**NOTE:** When using the optional 6.7 bushel catcher, a **safety latch locks the door open** in the fully opened position while the catcher is being dumped to prevent accidental door closure.

2. Tilt the catcher back to dump by lifting on the catcher lift handle on the lower front corner of the catcher.
3. Lower the catcher smoothly down to the normal operating position. **DO NOT allow the catcher to drop down.**
4. Close the door by holding the door handle, working against the spring pressure that holds the door closed. **DO NOT let the door slam shut** by releasing the door before it is closed. (When using the optional 6.7 bushel catcher, close the door by holding the door handle with the left hand and releasing the safety latch on the door hinge mechanism with the right hand. The safety latch is released by pressing in on the top of the latch.)

## Using the Dump Bag

1. Open the back door by lifting on the door handle.

**NOTE:** When using the optional 6.7 bushel catcher, a **safety latch locks the door open** in the fully opened position while the catcher is being dumped to prevent accidental door closure.

2. Orient the dump bag with one (or two) of the handle straps on the bag opening facing up.



**Positioning Dump Bag on Catcher**

## Operating Instructions

3. Hook the bottom of the bag over the rear bumper while lifting on the handle strap(s).
4. Tilt the catcher back to dump into the bag by **lifting on the catcher lift handle** on the lower front corner of the catcher **with the one hand** while continuing to **hold up on the bag strap(s) with the other hand**. Refer to photos for positioning the bag and dumping.



**Dumping Catcher into Dump Bag**

5. Lower the catcher smoothly down to the normal operating position. **DO NOT allow the catcher to drop down.**
6. Close the door by holding the door handle, working against the spring pressure that holds the door closed. **DO NOT let the door slam shut** by releasing the door before it is closed. (When using the optional 6.7 bushel catcher, close the door by holding the door handle with the left hand and releasing the safety latch on the door hinge mechanism with the right hand. The safety latch is released by pressing in on the top of the latch.)

# Maintenance Instructions



**CAUTION**

Maintenance procedures requiring special training or tools should be performed by a trained technician.

## MAINTENANCE SCHEDULE CHART - RECOMMENDED SERVICE INTERVALS - MODEL MC

Service Item	Daily	25 Hours	100 Hours	200 Hours	Yearly	Every 2Years	Ref. Page
Check Engine Crankcase Oil Level	x						45
Check/Clean Engine Air Cooling System*	x						54
Check Security of Air Filtration Components	x						57
Check Air Filter Restriction Gauge	x						53
Clean Grass Buildup Under Deck	x						55
Clean GHS Exhaust Screen*	x						40
Clean GHS Blower*	x						56
Service Mower Blades	x						58
Check Function of Oil Pressure Warning Horn	x						23
Lubricate Grease Fittings and Oil Points*		x					49
Check PTO Gearbox Oil Level**		x					48
Check Battery Electrolyte Level		x					57
Check Hydrostatic Transmission Fluid $\diamond$		x					48
Check Tire Pressure		x					58
Check Drive Belts (Jackshaft, Engine PTO, GHS Blower, Ground Drive)		x					59
Check Gearbox Oil Seals		x					60
Check Safety Switch System		x					60
Check Turbine Precleaner*			x				52
Check Air Filter Element ***			x				53
Change Engine Crankcase Oil $\Delta$			x				45
Check Oil Level in Gear Axle			x				48
Clean Hydrostatic Transmission Cooling Fins			x				57
Clean Engine Cooling Fins			x				55
Check Brake Action			x				60
Check Wheel Bolt Torque (75 to 85 ft-lbs)			x				58
Check/Regap Spark Plugs				x			60
Change Engine Oil Filter				x			45
Check Fuel Lines and Clamps					x		60
Replace Air Filter Element, Safety Filter, and Vacuator™ Valve ***					x		53
Replace Fuel Filter					x		67
Service Battery					x		57
Check FSC Friction Lock					x		61
Service Solenoid Shift Starter					x		60
Check Engine Valve Clearance					x		$\Delta\Delta\Delta$
Change Gear Axle Oil $\Delta\Delta$						x	48
Replace Fuel Lines and Clamps						x	60
Change Hydrostatic Transmission Fluid $\Delta\Delta$						x	$\Delta\Delta\Delta$

- \* More often in extremely dusty or dirty conditions
- \*\* Change PTO gearbox oil after first 100 hours of operation (break-in period)
- \*\*\* Air cleaner is remote mounted Donaldson Radialseal™ unit, replace filter every year
- $\Delta$  Change engine oil and filter after first 5 hours of operation of a new engine (break-in period)
- $\Delta\Delta$  Change every 2 years or 1000 hours
- $\Delta\Delta\Delta$  See your Walker dealer for this service or refer to the Walker Service Manual
- $\diamond$  Hydrostatic transmissions are sealed - DO NOT OPEN RESERVOIR CAPS - refer to Hydrostatic Transmission Fluid



**CAUTION**

When performing maintenance with the mower body raised, a safety prop should be installed from back of body to chassis frame (fail-safe protection in case of failure of body lift support). For GHS Model, empty grass catcher before raising body.

### IMPORTANT TIPS FOR CARE OF THE KOHLER ENGINE

#### Fuel System

- Fuel must be clean - free from water, dirt, and organic material.
- Change fuel filter on a regular basis and when contamination is suspected or found in the fuel.

#### Starting/Stopping

- Start engine with the throttle advanced off idle (1/4 to 1/2 throttle). This will aid starting, especially in cold weather.
- Keep the battery fully charged.
- Match crankcase oil viscosity to the ambient temperature, allowing the engine to crank faster and start easier.
- Allow engine to run at idle for a few seconds before stopping engine to avoid run-on or backfiring.

#### Cooling System

 **CAUTION**

**DONOT use a pressure washer to clean the cooling system on an air-cooled engine, mud may form under the cooling shroud on the cylinder head and cooling fan.**

- Keep engine air intake screen and cylinder head fins free of grass clippings, chaff, and dirt. Inspect intake screen and cooling fins for cleanliness and no damage.
- Periodically remove two access panels in the engine shroud to inspect and clean cylinder head cooling fins.
- Check performance of the cooling system by starting the engine, holding a hand adjacent to the cylinder head, and feeling the cooling airflow.

 **DANGER**

**Make sure to keep hands clear of exhaust pipe, muffler, and moving parts when checking airflow.**

- Operate the engine at full speed when mowing. This allows the engine to produce full horsepower and move more cooling air through the engine cooling fins.

#### Air Cleaner System

- Use **only** Donaldson air cleaner elements. Aftermarket elements may not seal in the air cleaner housing, allowing dirt to enter the engine. Also, aftermarket filters often skimp on the filtration media and require more frequent replacement (see following instructions).
- Use the air flow restriction gauge to indicate the need to service the air filter.
- Do frequently check the **Turbine Precleaner** for free movement of the internal fan.
- **DO NOT overservice** or frequently “disturb” the **air filter**. A dirty air filter actually cleans better than a new one. Changing the air filter too often can actually reduce filter efficiency and increase the opportunity for traces of dust to enter the engine. Wait until the element really needs servicing as indicated by the air flow restriction gauge.
- When the air filter element is removed or replaced, make sure all **dust is cleaned out** of the **air cleaner housing and hose**. Use a damp cloth and wipe the interior of the canister and hose clean (a little dirt left here will be sucked into the engine and reduce engine life). When the filter is reinstalled, make sure the **element is held tight and straight** in the canister for proper seating and sealing.
- Periodically check the air intake hose for cuts, nicks, etc., and the hose clamps for tightness.

#### Oil

- Use only multi-viscosity oils as specified with the viscosity matching ambient temperatures for the engine operating conditions. This will **aid starting** in cold weather and assure proper lubrication in hot weather.
- Use only Kohler oil filters. **Aftermarket filters may not seal properly** and/or have the incorrect pressure relief valve for proper lubrication.



## LUBRICATION



### WARNING

**DO NOT attempt to lubricate the machine with the engine running. Disengage the PTO clutch, shut off the machine, and remove the ignition key.**

Proper lubrication is an important maintenance procedure. It reduces wear and makes the machine quieter and easier to operate.

### Engine Oil

#### Engine Break-In Oil

No special break-in oil is required. The engine is serviced with 10W-30, Service Class SG oil from the factory. Change the oil after the initial engine **break-in period of 5 hours**. Thereafter, change oil **after every 100 hours** of operation.

#### Checking Engine Crankcase Oil Level

Check the engine crankcase oil level before use and **after each 8 hours** of continuous operation.

**IMPORTANT:** The importance of checking and maintaining the proper crankcase oil level cannot be overemphasized. Check the oil level **BEFORE EACH USE**.

1. Park the mower on a **level surface with the engine stopped**. Also, make sure the engine is cool and oil has had time to drain into the sump [allow **at least five (5) minutes** after stopping the engine].

**IMPORTANT:** **NEVER** check or add oil with the engine running.

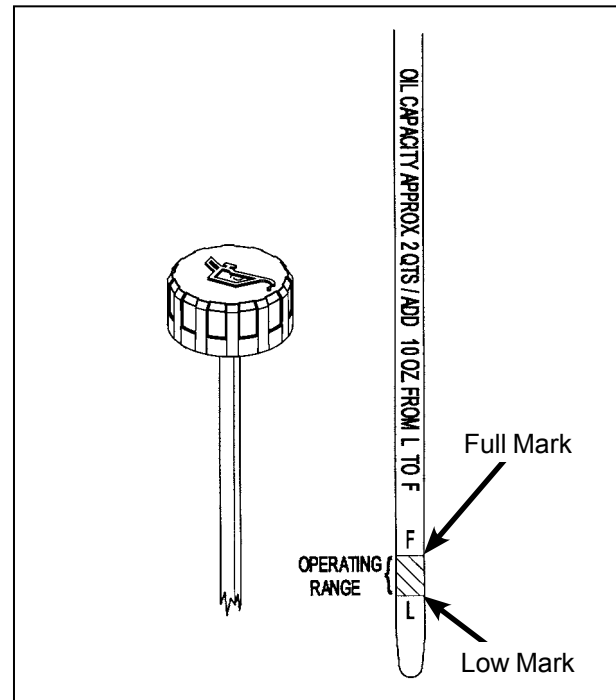
2. Before removing the dipstick, clean the area around the dipstick to keep any dirt or debris out of the engine.
3. Remove the dipstick, wipe off with a clean rag, then reinsert the dipstick into the tube and press all the way down.

4. Remove the dipstick again and check the oil level on the dipstick. The oil level should be within the "Operating Range" on the dipstick (between the "L" mark and the "F" mark).

**IMPORTANT:** **DO NOT** operate engine without a sufficient oil supply in the crankcase. **DO NOT** operate with the oil level below the "L" mark or above the "F" mark on the dipstick.

5. If additional oil is needed, refer to **Specifications** for proper crankcase lubricant. **Fill up to, but not above, the "F" mark on the dipstick.**

**IMPORTANT:** **DO NOT** overfill the crankcase (oil above "F" mark) as this **CAN** result in engine overheating, loss of power, and possible engine damage.

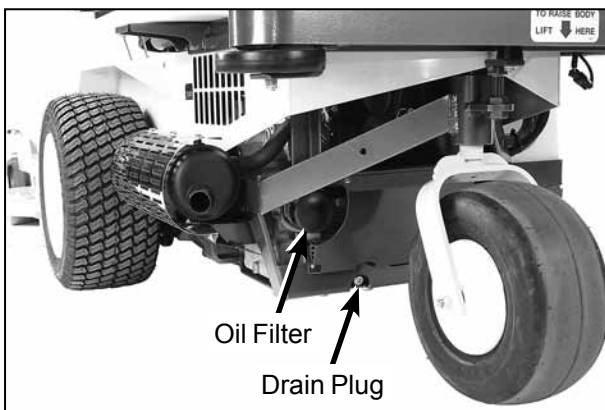


**Dipstick Operating Range**

#### Changing Engine Crankcase Oil/Oil Filter

Change the engine crankcase oil **after every 100 hours** of operation and replace the oil filter every other oil change (**every 200 hours** of operation).

1. Park the mower on a **level surface with the engine stopped**. The engine oil should be warm before draining. If not warm from operation, start the engine and run a few minutes to warm the oil.
2. Before removing the dipstick, clean the area around it to keep any dirt or debris out of the engine.
3. Remove the dipstick and oil drain plug and drain the oil into a suitable container. Be sure to allow ample time for complete drainage.



### Oil Drain/Oil Filter Location

4. Before removing the oil filter, clean the area around the filter to keep dirt and debris out of the engine.
5. Remove the old oil filter and wipe off the filter mounting surface on the engine.
6. Apply a thin coating of clean oil to the rubber gasket on the replacement oil filter.

**IMPORTANT:** Use **ONLY** oil filters from the engine manufacturer (Kohler 12-050-01). After-market oil filters may not seal properly and/or may not have the correct pressure relief valve for proper lubrication.

7. Install the new oil filter on the engine. Turn the filter clockwise until the rubber gasket contacts the sealing surface, then tighten an additional **1/2 turn**.
8. Reinstall the drain plug. Make sure it is tightened to 10 ft-lb (13.6 N·m).

9. Fill the crankcase with new, clean oil. Use only crankcase lubricants recommended by the engine manufacturer. Refer to **Specifications** in this manual or the engine owner's manual. Use the recommended oil viscosity for the expected ambient temperature. Oil with the correct viscosity will aid starting in cold weather and assure proper lubrication in hot weather. **Fill up to, but not above, the "F" mark** on the dipstick. Crankcase capacity is 1.85 quarts (1.75 liters) plus 1/2 pint (0.24 liters) for the new oil filter.

**IMPORTANT:** Check the dipstick reading before adding the last 1/2 pint of oil and **fill only to the "F" mark**. **DO NOT** overfill the crankcase (oil above "F" mark) as this **CAN** result in engine overheating, loss of power, and possible engine damage.

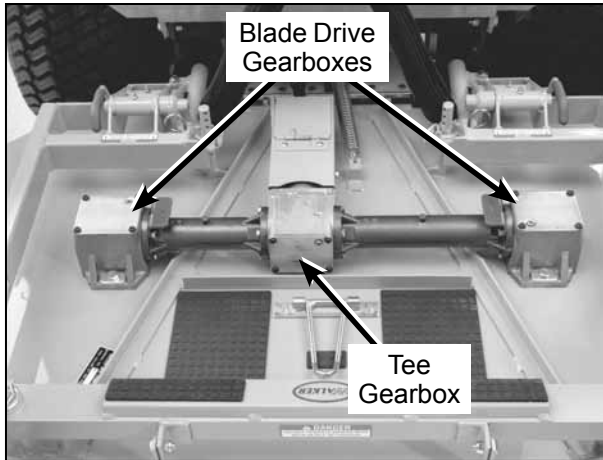
10. Start the engine and check for oil leaks around the oil filter. Stop the engine, recheck the oil level, and add oil if necessary. (When the engine is first operated with a new oil filter, the oil level drops slightly as the filter is filled with oil.)

### Mower Deck Gearbox Lubrication

**NOTE:** These instructions apply to all mower decks with gear-driven blades. Refer to **DSD52 Mower Deck Lubrication** in this section for the DSD52 deck with belt-driven blades.

The mower deck gearboxes (tee gearbox and blade drive gearboxes) are connected as a unitized assembly, and oil flows freely between them. The gearboxes are permanently lubricated (oil filled) and sealed requiring no scheduled lubrication. However, the gearbox oil seals should be checked **every 25 hours** for indication of an oil leak; **particularly the lower seals** on the blade drive gearboxes should be inspected, since they operate in a dirty environment. If an oil leak is noted, replace the oil seal and relubricate the gearbox assembly as follows:

1. Remove gearbox cover (footrest). Deck orientation should be the normal operating position.



**Mower Deck Gearboxes  
(Shown with Gearbox Cover  
Removed for Clarity)**

2. Clean the area around the individual gearbox cover plates to prevent contaminants from entering the gearcase.
3. Remove the screws securing the cover plates on the blade drive gearboxes.
4. Check the level of lubricant in the gearboxes. If the lubricant is low, add SAE E.P. (Extreme Pressure) 80W-90 (API GL-5) gear lube until the oil level is up to (submerges) the horizontal shaft in the gearbox (shaft parallel to cover plate).

**NOTE:** In case the gearboxes are completely drained of oil, approximately 5 fl. oz. (15 cl) of oil per gearbox is required to refill the gear drive assembly.

**NOTE:** Since the gearboxes are connected as a unit by connector tubes, it is necessary to add oil slowly. Allow a few minutes after adding oil for the oil to flow throughout the assembly and the oil level to stabilize before reassembly.

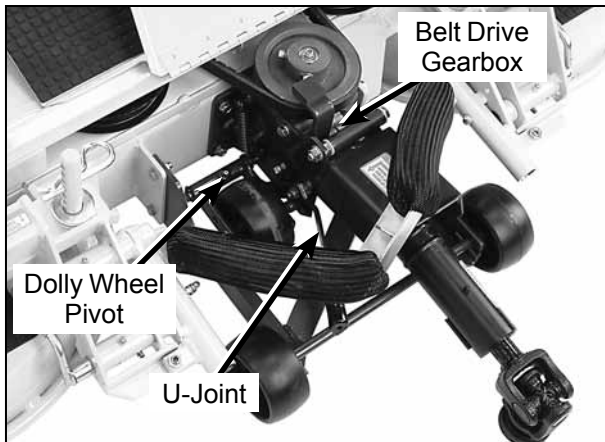
**IMPORTANT: DO NOT** overfill the deck gearboxes. The gearbox assembly is not vented, and overfilling with oil will cause excessive pressure and result in oil leaks.

5. Check condition of the cover gasket and replace if worn or damaged. Reinstall gearbox cover plates; torque screws to 24 in-lb (2.7 N·m).

## DSD52 Mower Deck Lubrication

There are several special lubrication requirements for the DSD52 mower deck in addition to the requirements detailed in the **Chassis and Deck Lubrication** illustration. Lubricate the locations shown in the **Gearbox, Dolly Wheel, and U-Joint Lubrication** photo and check and maintain oil in the belt drive gearbox.

1. Check the oil level in the belt drive gearbox **every 100 hours** (or sooner if a visible oil leak has developed). With the deck in the normal operating position, remove the level plug in the side of the gearcase. Add SAE E.P. (Extreme Pressure) 80W-90 (API GL-5) gear lube to maintain the oil level to the plug. If the oil level is low, check the gearbox for any indication of an oil leak. If an oil leak is noted, the gearbox will need to be removed and rebuilt.
2. Lubricate the dolly wheel pivot **every 25 hours** with general purpose grease.
3. Lubricate the U-Joint in the drive shaft **every 8 hours** with SAE general purpose lithium or molybdenum base grease.



**Gearbox, Dolly Wheel, and U-Joint Lubrication**

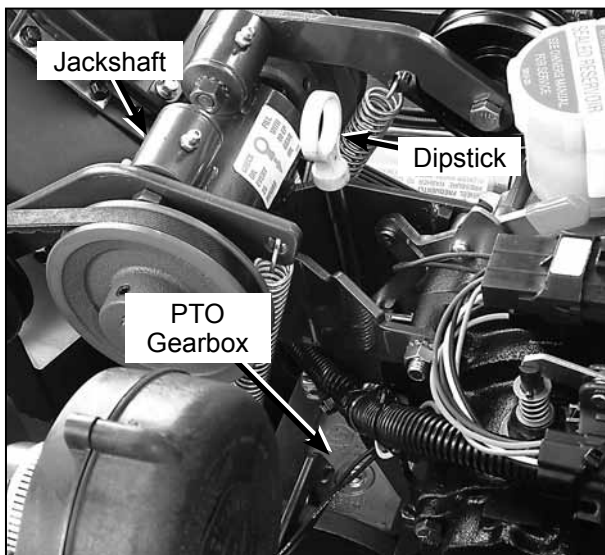
## Tractor PTO Gearbox Lubrication

### Checking Gearbox Oil Level

Check the gearbox oil level **every 25 hours**, and if necessary, add oil [SAE E.P. (Extreme Pressure) 80W-90 (API GL-5) gear lube] to maintain oil level to the **FULL** mark on the dipstick.

**IMPORTANT: DO NOT** overfill the PTO gearbox to avoid oil leakage out of the dipstick standpipe.

If the oil level is low, check the gearbox for any indication of an oil leak. If an oil leak is noted, the gearbox will need to be removed and rebuilt.



**Dipstick Location, Tractor PTO Gearbox**

### Changing Gearbox Oil

The tractor PTO gearbox is oil filled. No scheduled oil change is required. However, changing the oil **after the first 100 hour break-in period** will extend gearbox life and is recommended.

1. Remove the drain plug in the bottom of the gearcase, drain the oil, and reinstall the plug.
2. Refill the gearbox through the dipstick standpipe using 7 to 8 fl. oz. (21 to 24 cl) of SAE E.P. (Extreme Pressure) 80W-90 (API GL-5) gear lube. Remove plug in top of gearcase to vent air when refilling.
3. Check that the oil level is at the **FULL** mark on the dipstick. **DO NOT** overfill.

### Gear Axle Lubrication

- The gear axle oil lubrication is SAE E.P. 80W-90 (API GL-5) gear lube.
- Check the axle oil level **after every 100 hours** of operation by removing the oil level plug. If additional oil is needed, remove the breather vent on top of axle and fill until oil is at the level plug.
- Change axle oil **every 1000 hours** or **two (2) years**.

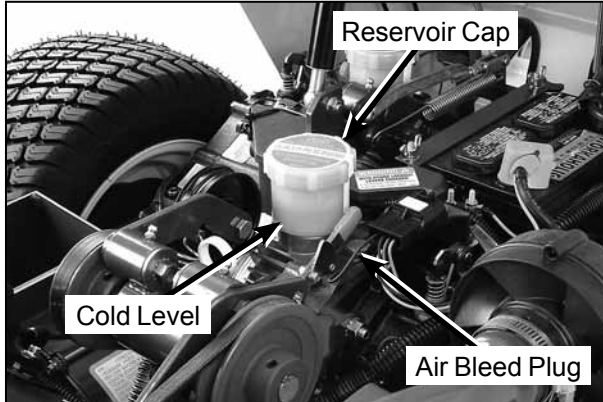
### Hydrostatic Transmission Fluid

#### Checking Hydrostatic Transmission Fluid Level

The hydrostatic transmissions are sealed units and do not need to be opened to check the fluid level. Hydrostatic fluid level should be checked **every 25 hours** of machine operation. It is preferable to **check the fluid when the fluid is cold**. Check fluid levels as follows:

**IMPORTANT: Removing or breaking the seal on the hydrostatic reservoir cap within the first 1000 hours will VOID THE TRANSMISSION WARRANTY.**

1. Park the mower on a **level surface**. Stop the engine and wipe dirt and contaminants from around the base of the reservoir to better see the **COLD** mark.
2. The level of the oil can be seen through the side of the opaque reservoir (**DO NOT REMOVE RESERVOIR CAP**); using a light next to the reservoir will help make the level more visible.



### Transmission Reservoir and Air Bleed Plug Location

3. The reservoir has a fluid level **COLD** mark. The reservoir **oil level should ALWAYS be at or slightly above the COLD mark.**
4. If the fluid is below the **COLD** mark (or the transmission is not performing properly, **contact your local dealer. Attempting to add fluid or service the transmission may VOID THE TRANSMISSION WARRANTY.**

### Grease Fitting and Oil Point Lubrication

Lubricate the grease fittings and oil points **after every 25 hours** of operation. Lubricate **more often** when operating in **dusty or dirty conditions**. Use SAE general purpose lithium or molybdenum base grease for grease fittings and light machine oil (SAE 10) to lubricate oil points. **Lubricate the locations shown in the Chassis and Deck Lubrication Points illustration.**

**NOTE:** PTO universal joints (on the deck and tractor) require routine lubrication **after every 8 hours** of running time. Remove tractor PTO quick disconnect tube assembly for easy access to grease fittings.

**NOTE:** The best way to lubricate the PTO tube half of the universal joint assembly is to remove it from the tractor. See instructions for removing and installing PTO quick coupler, refer to *Deck Installation* in **Mower Deck Installation on Tractor** in the **Assembly Instructions**.

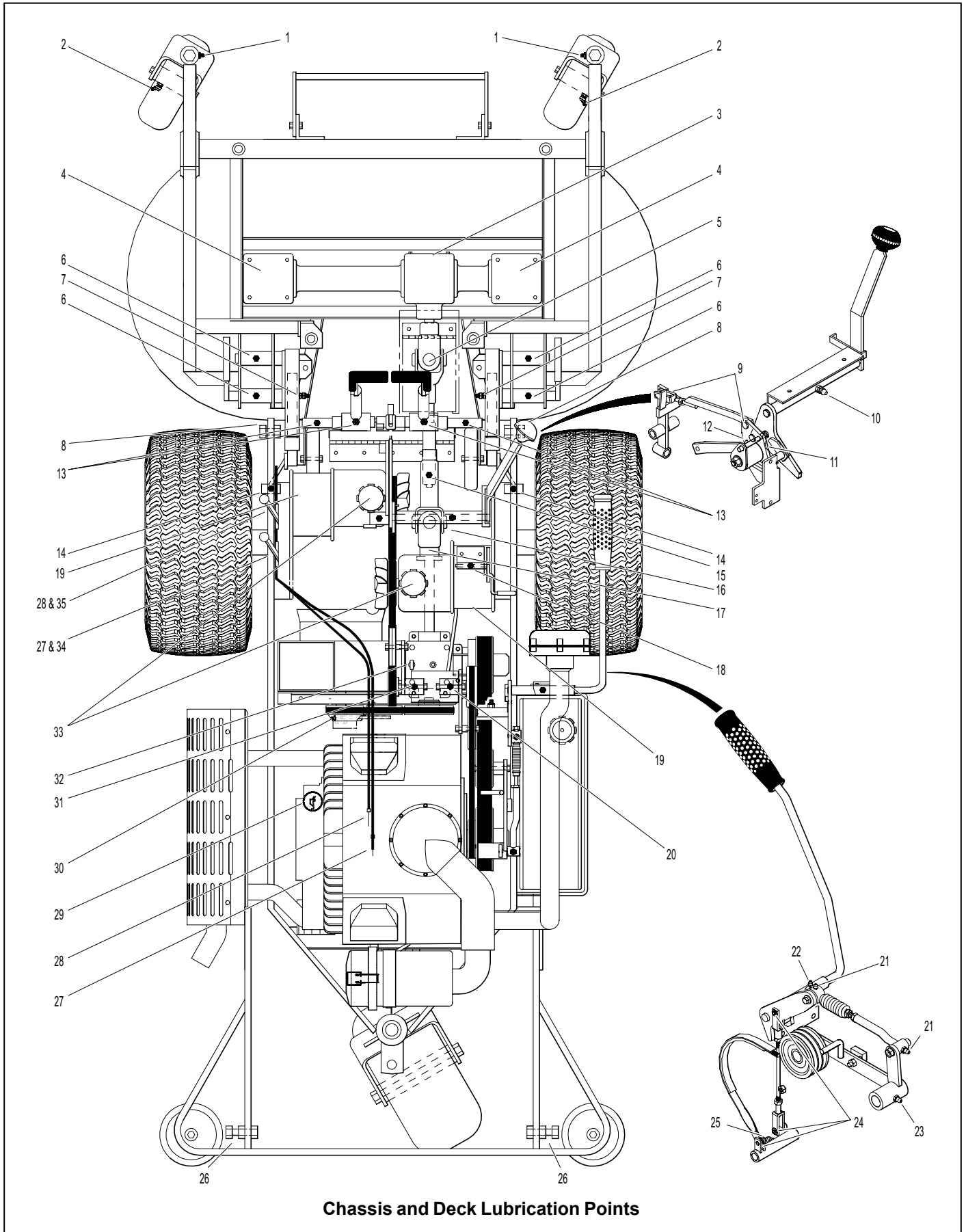
Ident No.	Location	Lubrication Type	No. Places	Ident No.	Location	Lubrication Type	No. Places
1	Deck Caster Wheel Fork Pivot	Grease	2	24	Brake Actuator Rod and Brake Band Pivot Pins (Clevis)	Oil	3
2	Deck Caster Wheel Bearing	Grease	2	25	Brake Actuator Pivot	Grease	1
3	Tee Gearbox, Deck	Oil*	1	26	Catcher Hinge Point	Oil	2
4	Blade Drive Gearbox	Oil*	2	27	Choke Control Cable Ends	Oil	2
5	Universal Joint Shaft Assembly	Grease**	1	28	Throttle Control Cable Ends	Oil	2
6	Pivot Assembly, Tilt-Up Deck	Grease	4	29	Engine Oil	Oil***	1
7	Deck Support Arm Socket	Grease	2	30	Belt Tightener Pivot, Blower Drive (GHS Model Only)	Grease	1
8	Body Hinge Point	Oil	2	31	Belt Tightener Pivot, Ground Drive	Grease	1
9	FSC Actuator Rod Pivot Pins	Oil	2	32	PTO Gearbox Dipstick	Oil***	1
10	FSC Lever Pivot	Grease	1	33	Hydrostatic Drive	Oil***	2
11	FSC Lever Fork (Grease Slide Area)	Grease	1	34	Choke Control Pivot	Oil	1
12	(FSC) Friction Body Pivot	Grease	1	35	Throttle Control Pivot	Oil	1
13	Steering Lever Pivot	Grease	4				
14	Deck Support Arm Pivot	Grease	2				
15	Deck-to-PTO Coupling (Grease Slide Area)	Grease	1				
16	Universal Joint Tube Assembly	Grease**	1				
17	Universal Joint Quick Connect Spline (Grease Slide Area)	Grease	1				
18	Parking Brake Lever	Grease	1				
19	Gear Axle	Oil***	2				
20	Belt Tightener Pivot, Jackshaft Drive	Grease	1				
21	Clutch Actuator Push Rod	Grease	2				
22	PTO Clutch Lever Pivot	Grease	1				
23	Belt Tightener Pivot, PTO Clutch	Grease	1				

\* Gearboxes are permanently lubricated and sealed requiring no scheduled lubrication. Oil level should be checked only when an oil leak is noted. Refer to **Mower Deck Gearbox Lubrication** in this section.

\*\* Grease every eight (8) hours.

\*\*\* Refer to **Gear Axle Lubrication, Engine Oil, Tractor PTO Gearbox Lubrication, and Hydrostatic Transmission Fluid** in this section.

**NOTE:** DGHS42 Tilt-Up Deck is shown for reference. For other Deck Lubrication Points, Refer to Deck and Carrier Frame **Illustrated Parts Manual**.



## CLEANING



If a pressure washer is used on the exposed working parts, avoid water on the electrical parts and the engine cooling system.

### Engine Air Cleaner System

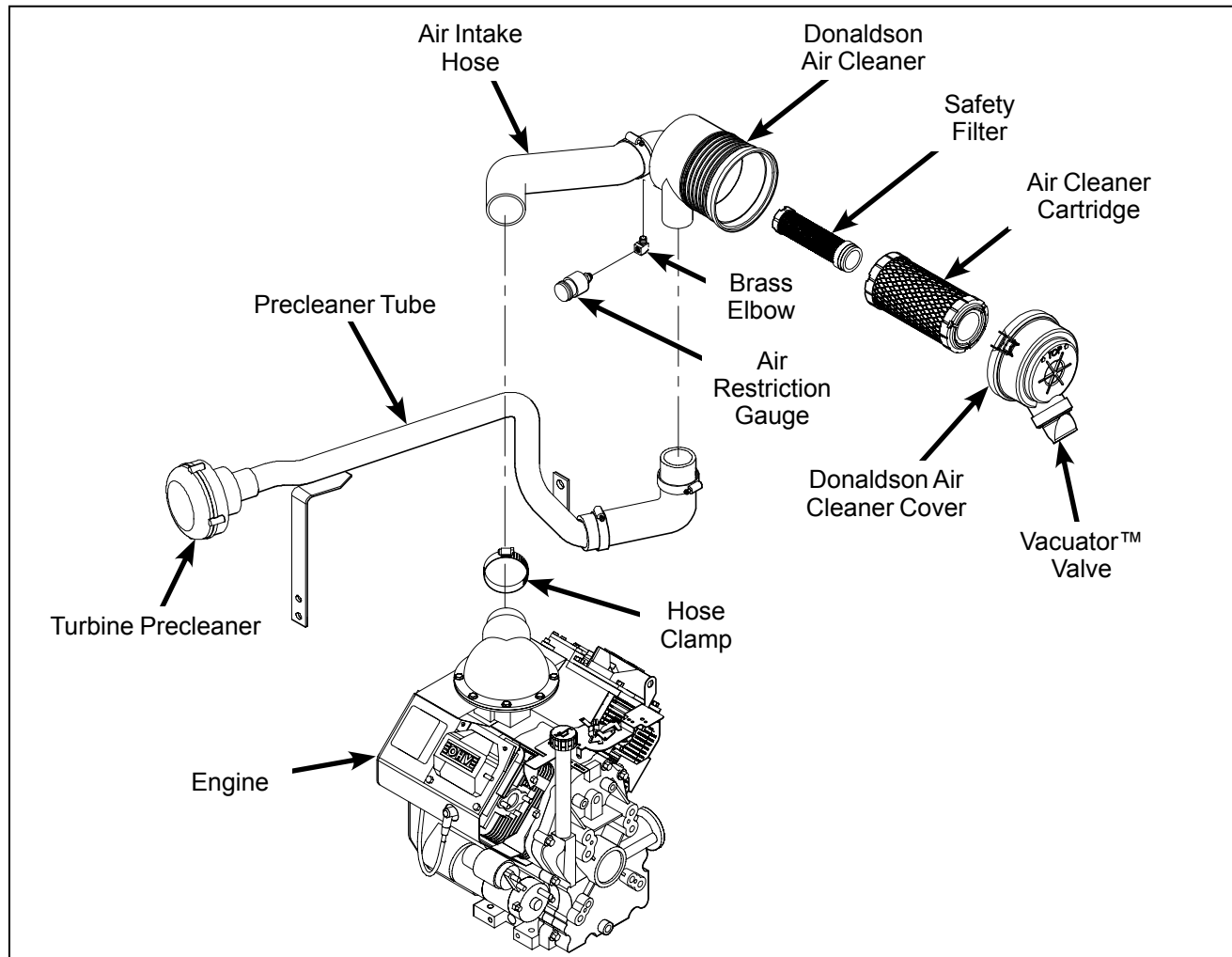
There are two main components in the engine air cleaner system: a turbine precleaner and a Donaldson Radialseal™ air cleaner. Each component is checked, cleaned and maintained on a different schedule based on the filtering action required. Each component is serviced as follows:

### Turbine Precleaner

The turbine precleaner is mounted on a remote air intake tube connected to the Donaldson air cleaner. A spinning fan driven by the intake airflow separates dust from the air, giving the initial stage of air cleaning. Dust particles are exhausted through a single small vent in the side of the housing. Since no dust is trapped, the precleaner operates without cleaning. The only maintenance required is to check the operation of the internal fan **every 100 hours**. Verify operation:

1. Look into the exhaust vent while shining a light into the intake.
2. Start the engine and watch the fan begin to spin as the throttle is advanced.

If the fan is not spinning, service or replace the pre-cleaner as required.



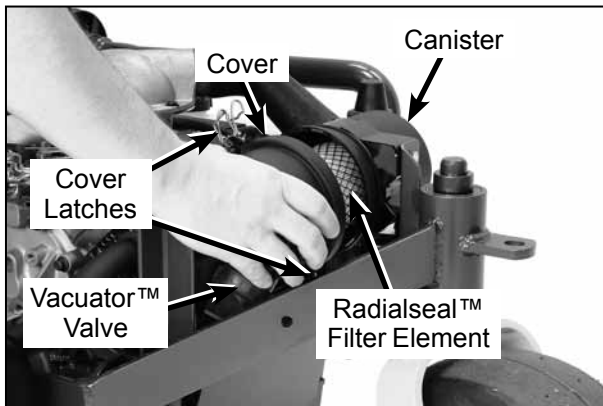
**Engine Air Cleaner System Components**



## Donaldson Radialseal™ Air Cleaner

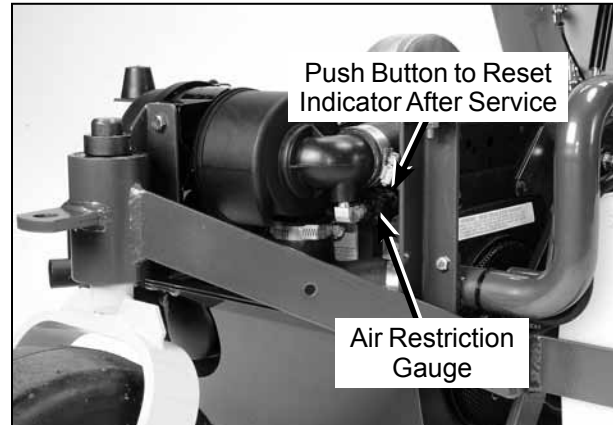
A remote mounted Donaldson Radialseal™ air cleaner provides the air filtering function. The paper filter element slides over an outlet tube inside the air cleaner canister with **radial** sealing action, reducing the possibility of dust leaks due to improper filter installation. Intake design, internal baffling, and a Vacuator™ valve provide dust separation and automatic precleaning action. Daily or frequent servicing of the air cleaner **is not required**. Use the air restriction gauge on the air cleaner outlet to indicate when the air filter needs servicing -- a red flag will appear when the filter is overly restricting airflow into the engine.

**IMPORTANT:** Use **only** Donaldson air filter elements for replacement (Donaldson P822686 or Walker 5090-1). Aftermarket filters may not seal properly or filter efficiently.



**Air Cleaner Components  
(Shown with Cover Being Removed)**

**IMPORTANT:** The Donaldson air cleaner uses a dry paper-type air filter element. **NEVER** apply oil to the paper element.



**Air Restriction Gauge Location**

Inspect the paper element **after every 100 hours** of service and **replace** the element and safety filter **yearly** (or when dirty or damaged). More frequent replacement may be required when operating in extremely dusty conditions as indicated by the air restriction gauge. Service the air cleaner as follows:

1. Release the top and bottom cover latches and remove the air cleaner cover. Wash the cover and Vacuator™ valve. Check that these components are in good condition. The Vacuator™ valve is subject to wear and deterioration and should be replaced **yearly** or when damaged. The lips of the valve should close and fit together; any cracks, deformation, or wear in the valve is cause for replacement.
2. Remove the filter element by pulling it out of the canister. There will be some initial resistance as the filter seal breaks loose and slides off of the outlet tube. **Gently** move the end of the filter up and down and side to side or twist to loosen the seal. Use gentle action to minimize the amount of dust dislodged as the filter is removed.
3. Replace filter element.

**NOTE:** Washing the element in water or cleaning solution is **not recommended**. Do not try to clean the element with compressed air.

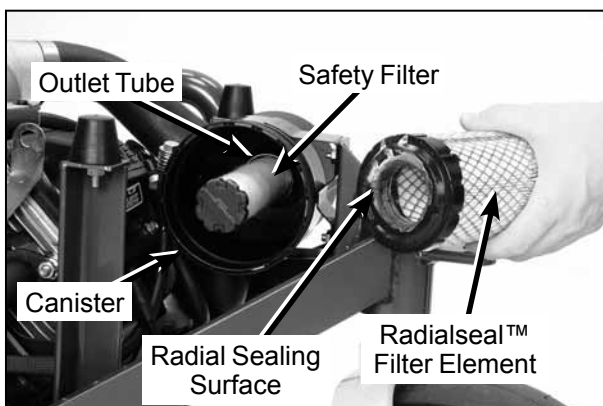
4. Use a bright light inside the element to inspect for damage. Check the element very carefully for **pin holes or other damage** that will allow dirt to leak through the paper media. Replace element if necessary.
5. Without removing, visually inspect the condition of the safety filter for damage or holes. The safety filter should only be removed for yearly replacement (or when dirty or damaged).
6. Check the condition and resilience of the radial sealing surface (inside of the open end) of the filter. Replace the filter if any cracks, tears, or other damage to the sealing surface are noted.
7. Use a clean, damp cloth and wipe the interior of the air cleaner canister clean. Use special care to clean **both the inside and outside** surfaces of the outlet tube.

**IMPORTANT:** Any dust left on the inside of the outlet tube will go into the engine and cause wear.

8. Check the outside surface of the outlet tube for smoothness and cleanness (this is the sealing surface).
9. Insert and seat the safety filter and Radialseal™ element carefully into the canister, applying pressure at the outer rim of the filter; not at the flexible center. Make sure the filter element is completely in place before installing the cover.

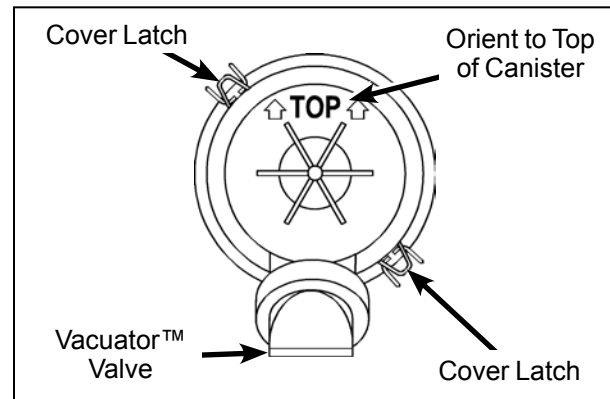
**IMPORTANT: DO NOT use the cover latches** to force the filter into the canister -- the cover should fit on with **no extra force**.

**NOTE: DO NOT use petroleum based lubricants** on the sealing surfaces of the filter; use talcum powder or dry silicone lubricants if required for filter installation.



**Air Filter Element Replacement**

10. Install the cover with the word "TOP" properly oriented to the top of the canister. Give the cover a slight twist as it reaches the canister to make sure the tab inside the cover goes into a slot, otherwise the cover will not fit properly. Make sure both the top and bottom cover latches are securing the cover in place.



### Proper Orientation of Air Cleaner Cover

11. Check the air intake hose for cuts, nicks, cracks, etc., and the hose clamps for tightness.
12. Reset the air restriction indicator (press button on the end of the indicator).

### Engine Cooling System

#### Air Intake System

To prevent engine overheating and possible engine damage, clean grass clippings, chaff, and dirt from the rotating engine air intake screen **after every 8 hours of operation**. In certain mowing conditions (dry grass, leaves, tree "cotton", etc.), it may be necessary to check and clean the screen several times each day to prevent engine overheating.

### CAUTION

**Operating the engine with a blocked air intake screen, dirty or plugged cooling fins, and/or cooling shrouds removed will cause engine damage from overheating.**

## Cylinder Head Cooling Fins

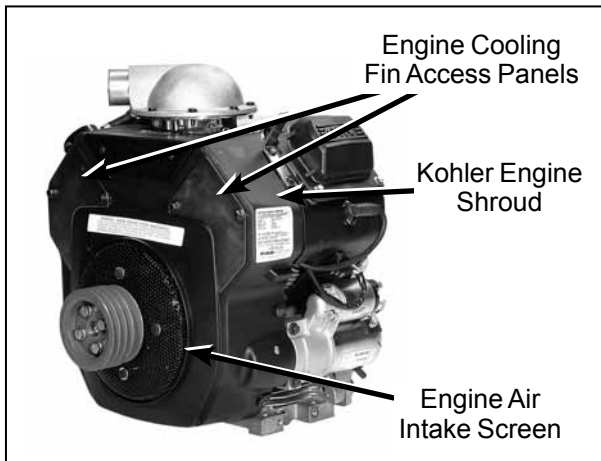
It is essential for performance and longevity of the air-cooled engine to keep the cylinder head cooling fins clean and free of obstruction. After **every 8 hours** of operation, check the performance of the cooling system by starting the engine, holding a hand adjacent to the cylinder head, and feeling the cooling airflow. If there is little or no airflow, clean the cooling fins as described below.

**⚠ DANGER**

**Make sure to keep hands clear of exhaust pipe, muffler, and moving parts when checking airflow.**

**Every 100 hours**, inspect and clean the cooling fins (more often when operating in extremely dusty, dirty conditions). Remove the two (2) cooling fin access panels in the engine shroud and clean the cooling fins and external surfaces using compressed air. Make sure to reinstall the access panels before operating the engine.

**NOTE:** If dirt is packed into the cooling fins it may be necessary to remove the engine shroud in order to thoroughly clean the cooling fins.



**Engine Air Intake Screen and Cooling Fin Access Panels**



Check Airflow with Hand

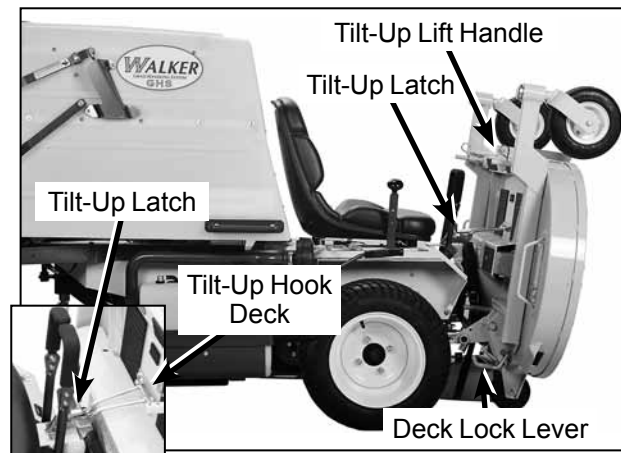
## Cooling System Airflow

### Grass Buildup in Mower Housing

**⚠ DANGER**

**Before raising or removing the mower deck for cleaning, stop the engine, remove the ignition key, and disconnect the spark plug wires.**

1. **Raise** the deck lock lever handle on each side of the carrier frame **and pull out** to release carrier frame for tilting action.
2. Using the carrier frame lift handle, raise deck to the **TILT-UP** position and insert the deck hook into the tilt-up latch on the tractor body.



**Deck Secured in TILT-UP Position**

**! DANGER**

**Do not operate the mower with deck in tilt-up position. Do not move the tractor with the deck in the tilt-up position.**

3. Clean grass buildup underneath the deck using a pressure washer (and scraper if required).

**NOTE:** While some degree of material buildup in the mower deck housing can be tolerated, a point is finally reached **where cutting quality deteriorates and clogging begins to occur** because of too much buildup on the baffling and housing.

4. Lower the deck to the normal operating position and re-engage the deck lock levers.

**! CAUTION**

**Do not operate machine with deck tilt-up pivot joint unlocked.**

### GHS Blower

Normally, the GHS blower operates with no maintenance or cleaning. However, when mowing **grass that is dirty and damp** (especially springtime mowing), a deposit of dirt may accumulate inside the blower housing, causing wear and binding of the blower wheel. When operating in these conditions, **inspect the blower frequently for dirt buildup.**

**NOTE:** A visual clue of binding of the blower wheel is the blower **blade tips are polished** from rubbing on dirt.

When a dirt deposit is found, use a high pressure washer or water spray to clean the inside of the housing as follows:

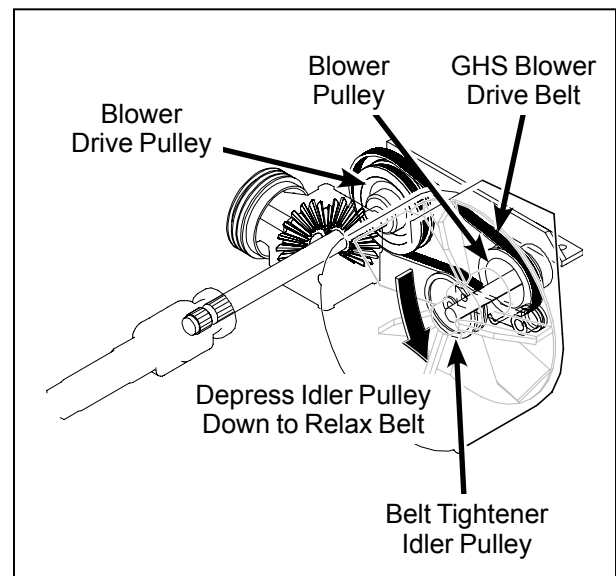
**! DANGER**

**Before attempting to wash the blower, stop the engine, remove the ignition key, and disconnect the spark plug wires. Wear goggles or face shield.**

1. Remove the GHS blower drive belt tension by depressing the idler pulley on the tightener arm. Roll the belt off the blower pulley. The belt should be clear of the blower pulley, allowing **free movement** of the blower wheel.

**IMPORTANT:** With the belt removed, the blower wheel **must spin freely**. Any binding or dragging of the wheel is an indication of dirt buildup. This **buildup must be cleaned** to avoid abrasive wear of the blower blades, excessive power loss and eventual loss of blower performance (clogging).

2. Use a pressure washer or water spray, and direct the spray inside the blower housing against the blower blades. Water pressure will cause the blower wheel to begin to spin and the combination of spinning action and water will effectively wash the inside of the housing. Spray may be directed against the blower blades vertically and horizontally to cause rotation in both directions for thorough washing action. **Wash blower until the blower wheel spins freely** in both directions.
3. Reinstall the GHS blower drive belt by reversing the removal procedure.



**Collapse Blower Belt Tightener to Remove GHS Blower Drive Belt**

## GHS Exhaust Screen

Refer to **Cleaning the GHS Exhaust Screen** in **Operating Instructions**.

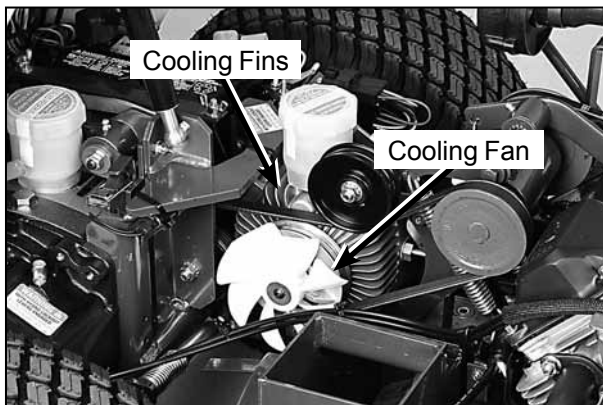
## Hydrostatic Transmission Cooling Fins

Keeping the cooling fins on the hydrostatic transmissions clean and free of obstruction is **essential to avoid overheating** the transmission fluid and shortening transmission life. The cooling fins should be checked **every 100 hours**; and cleaned if necessary.

To clean the fins, use compressed air and/or a pressure washer. The cooling fins extend all the way around the housing -- the fins underneath need to be clean as well as the more visible fins above. Also, pay close attention to the area under the drive pulley.

**IMPORTANT:** In case an oil leak develops on the input shaft, the cooling fan blowing dusty air and oil on the transmission will **quickly** pack the cooling fins with **oily dirt**. If this condition occurs, replace the seal immediately to avoid overheating and damaging the transmission. The input shaft assembly and seal are easily replaced without removing the transmission from the machine.

An additional procedure in maintaining transmission cooling is to inspect the cooling fans. Replace the fan(s) if blades are missing or damaged.



**Hydrostatic Transmission Cooling Fins**

## CHECKING/SERVICING



**To prevent accidental starting of the engine when servicing or adjusting the machine, remove the key from the ignition switch and disconnect the spark plug wires.**

## Security of Air Filtration Components

**NOTE:** The following inspection is **only an external inspection** and should be done without “**disturbing**” the filtration components.

On a daily basis, visually inspect the external condition of the complete air cleaner system. The following items should be inspected:

1. Check the Donaldson Radialseal™ air cleaner canister for damage. Make sure the cover is in place and the cover latches are secure - do not run the engine without the air cleaner cover in place and secure.
2. Inspect the air intake hose for cracks, nicks, cuts, etc., and check the hose clamps for tightness.
3. Check to make sure the air flow indicator is in place and tight.

## Battery

**NOTE:** For initial battery service during setup, refer to **Battery Service** in **Assembly Instructions**.

**IMPORTANT:** Make sure battery is securely mounted in the frame. A loose battery may cause damage to the case resulting in acid leakage and severe damage to the machine. A hazard may be created by damage to critical working parts and safety systems.

## Electrolyte Level

The battery electrolyte level should be checked **after every 25 hours** of operation. To check electrolyte level:

1. Remove battery cell filler caps.
2. Check the electrolyte level. If the level is below the bottom of the vent well, fill with drinking water to the bottom of the vent wells [1/4 to 1/2 in. (6 to 13 mm) above the plates].
3. Replace filler caps.

**IMPORTANT: DO NOT** overfill the battery. Electrolyte will overflow through the vented caps onto parts of the machine and **WILL** result in severe corrosion.

### *Cleaning the Terminals*

If battery terminals are corroded, **remove battery** from the mower. Using a wire brush, remove corrosion with a solution of **one part baking soda and four parts water**. Rinse with clean water. Coat the terminals with petroleum jelly or terminal protector spray to retard further corrosion.

### *Charging the Battery*

Check the battery charge by measuring the specific gravity of electrolyte; if specific gravity is less than 1.225, the battery will need to be charged as follows:

1. Charge the battery at 15 amps for 10 minutes. **DO NOT** exceed 20 amps maximum recommended charging rate. Charge until specific gravity is at least 1.250. Total charging time should not exceed one (1) hour.
2. After charging the battery, use distilled water to adjust the electrolyte level to the bottom of the vent wells [1/4 to 1/2 in. (6 to 13 mm) above the plates].

 **DANGER**

**BATTERIES PRODUCE EXPLOSIVE GASES**

- Charge the battery in a well-ventilated area, so that gases produced while charging can dissipate.
- Keep sparks, flames, and smoking materials away from the battery at all times.
- Make sure the battery cap vents are open (check manifold vent on each cap).
- Make sure the battery charger is unplugged before connecting or disconnecting cables to the battery.

### **Tire Pressure**

Inflate tires to pressures shown below:

- Deck Caster Wheel = 20 PSI (137 kPa)
- Drive = 15 PSI (103 kPa)
- Rear = 20 PSI (137 kPa)

### **Wheel Bolt Torque**

Every 100 hours check the eight (8) lug bolts that mount the drive tires. They should be torqued to 75 to 85 ft-lbs (101.7 to 115.2 N·m).

### **Sharpen Mower Blades**

Check mower blade(s) for **straightness, sharpness, condition of the cutting edge, and balance every 10 hours** of operation (or more often when mowing abrasive type grass or operating on sandy soils). **Replace blades if worn, bent, cracked, or otherwise damaged** (refer to **REPLACING/REPAIRING the Mower Blades** in this section). Use the following procedure to check and sharpen blades:

**NOTE: Keep blades sharp** - cutting with dull blades not only yields a poor mowing job but slows the cutting speed of the mower and causes extra wear on the engine and blade drive by pulling hard.

1. Stop the engine, remove ignition key, and disconnect the spark plug wires **before** raising the mower deck to service blades.
2. Raise the deck and secure it in the **TILT-UP** position. Refer to **CLEANING the Grass Buildup in Mower Housing** in this section for deck raising instructions.

 **DANGER**

**NEVER** operate cutter blades with the deck in the raised position.

**NOTE:** PTO shaft must be **disconnected** before checking blades for straightness.

3. Check the blades for **straightness** by marking the blade tip position inside the deck housing, and then rotating the opposite end of the blade to the same position and comparing. If the difference in blade tip track is **more than 1/8 in. (3 mm)**, the blade is bent and **should be replaced**.

**⚠ WARNING**

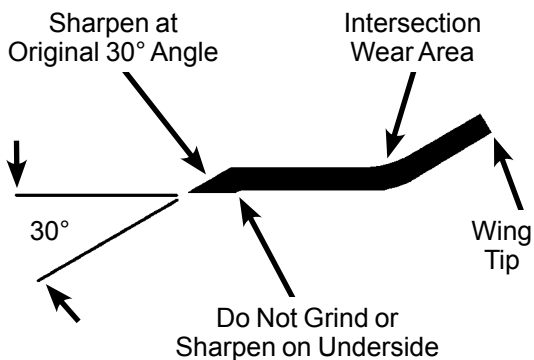
**DO NOT try to straighten a blade that is bent. NEVER weld a broken or cracked blade. ALWAYS replace with a new blade to assure safety.**

- If the blade cutting edge is **dull or nicked**, it should be sharpened. Remove blades for sharpening by grasping the end of the blade using a rag or a thick, padded glove, while loosening and removing the nut, lock washer, and flat washer that mounts the blade.
- Grind cutting edge at the same bevel as the original. Sharpen only the top of the cutting edge to maintain sharpness.

**NOTE:** Blades can be sharpened with an electric blade sharpener, conventional electric grinder, or a hand file.

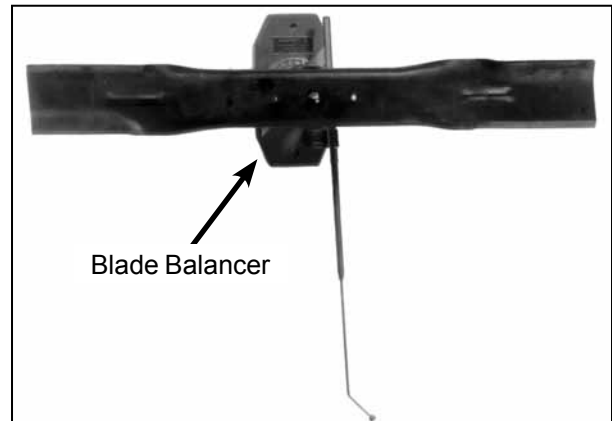
**⚠ CAUTION**

**ALWAYS wear eye protection and gloves when sharpening a blade.**



**Mower Blade Profile For Sharpening**

- Check blade balance by positioning the blade **horizontally** on a blade balancer or use a nail or shaft through the center hole. If either end of the blade rotates downward, grind (remove) metal on that end until the blade will balance. The blade is properly balanced when neither end drops. Balance of a blade is generally maintained by removing an equal amount of material from each end of the blade when sharpening.



**Blade Balanced on Magnetic Wall-Mounted Balancer**

- Mount the blade with wing tips pointing up into the housing. Reinstall the blade, washer, lock washer, and nut. **Tighten the nut to 60 ft-lb (81.3 N·m).**

**NOTE:** When reinstalling blades on **GHS** models, remember, the **blades turn toward each other** (counter-rotate) and the RH and LH blade cannot be switched. Check for proper blade rotation before installing blades on the deck. Refer to **Blade Rotation for GHS Mower Deck** illustration shown in **Clogging Checklist** in **Operating Instructions** for correct blade rotation.

**Drive Belts**

Raise the body and inspect the condition of the four (4) belts (3 belts on SD models) **every 25 hours** of operation - engine PTO drive, jackshaft drive, hydrostatic ground drive, and GHS blower drive. If the belts show **signs of cracking or deteriorating**, the belts should be **replaced**. Refer to **REPLACING/REPAIRING the Drive Belts** in this section.

## Mower Deck Gearbox Oil Seals

The mower deck gearbox seals should be inspected **every 25 hours** for evidence of oil leaking; **particularly the lower oil seal on the blade drive gearbox**. This seal is protected by the trash guard on the blade hub and seal protector plate on the housing, but is still vulnerable to seal damage due to operating in an adverse environment. The mower blade must be removed for inspection of the seal, so it is recommended to **inspect the gearbox seals when blades are removed for sharpening**. If an oil leak is noted, the seal should be replaced and the gearbox assembly relubricated. Refer to **LUBRICATION for Mower Deck Gearbox Lubrication** in this section.

## Spark Plugs

**Every 200 hours** of operation, remove the spark plugs, inspect, clean, and reset the gap (or replace with **new plugs**). Before removing the spark plugs, clean the area around the base of the plugs to keep dirt and debris out of the engine. Clean spark plugs with a wire brush. **DO NOT** use an abrasive grit type cleaner. If the electrodes are burned short or pitted, replace plugs with Champion, type RC12YC (or equivalent). Check spark plug gap with a wire-type feeler gauge and set the gap at 0.030 in. (0.76 mm). Reinstall and tighten to between 18 and 22 ft-lb (24.4 to 29.8 N·m).

## Fuel Lines and Clamps

**Every year**, inspect the fuel supply line from the tank to engine for deterioration or damage. Also, inspect the fuel line **clamps for tightness**. Good preventive maintenance calls for complete **replacement** of fuel lines and clamps **every two (2) years**.

## Engine Starter

**Yearly or every 500 hours** disassemble and clean the solenoid shift starter. Refer to the Kohler Service Manual for this procedure or contact an authorized Kohler engine dealer to perform this service.

## Blade Brake Action



**It is important to check and maintain blade brake action for safe operation of the machine.**

Check the function of the cutter blade brake (and blower brake on GHS models) by engaging the blade clutch (PTO), operating the engine at full throttle, then disengaging the clutch and measuring how quickly the blades stop. Watch the rotation of the blade drive shaft and blower pulley as a visual indication that movement has stopped. If the brake is **working properly, all rotation will stop five (5) seconds after disengagement** of the clutch. If the brake system malfunctions - blades do not stop in five (5) seconds - adjust or repair the brake before operating the mower. Contact your Walker dealer for this service or refer to the Walker Service Manual.

## Safety Switch System



**It is important to check and maintain the safety switch system for safe operation of the machine.**

There are three (3) safety interlock switches on the tractor; Seat Switch, FSC Neutral - Park Switch, and PTO Switch.

**NOTE:** There is a 1 to 1-1/2 second time delay function on the seat switch to avoid engine power interruption when driving over bumps.

If any of the following conditions occur during starting or operating, a safety interlock switch may be malfunctioning. Contact your Walker dealer for troubleshooting and/or replacement.

- With an operator in the seat, the engine starts with the Forward Speed Control (FSC) and/or the PTO engaged.



- With an operator in the seat, the engine starts but dies soon after the Forward Speed Control (FSC) or PTO is engaged.
- **Without** an operator on the seat, the engine starts and continues to run with the Forward Speed Control (FSC) and/or PTO engaged.
- With an operator in the seat, the Forward Speed Control (FSC) and PTO disengaged and panel horn works, but the starter is not engaging.

## Forward Speed Control Friction Lock

The FSC friction lock is designed to **hold the selected forward travel speed** when the steering levers are moved and yet the friction is not too heavy to make **moving the FSC control** difficult (too much friction). The procedure for checking the FSC friction lock is as follows:

1. Place the FSC in the full **FORWARD** position and pull both steering levers back; the FSC lever should not move. If the FSC lever moves back when the steering levers are pulled back, the **friction needs to be increased**.
2. With the steering levers held back, move the FSC lever back from the **FORWARD** position. With a proper amount of friction adjusted, the FSC lever should move back with a slight amount of resistance (friction). If the FSC lever movement is "stiff", **the friction needs to be decreased**.

If the FSC friction lock needs to be adjusted, contact your Walker dealer or refer to the Walker Service Manual.

## REPLACING/REPAIRING



**To prevent accidental starting of the engine when replacing parts or repairing the machine, remove the key from the ignition switch and disconnect the spark plug wires.**

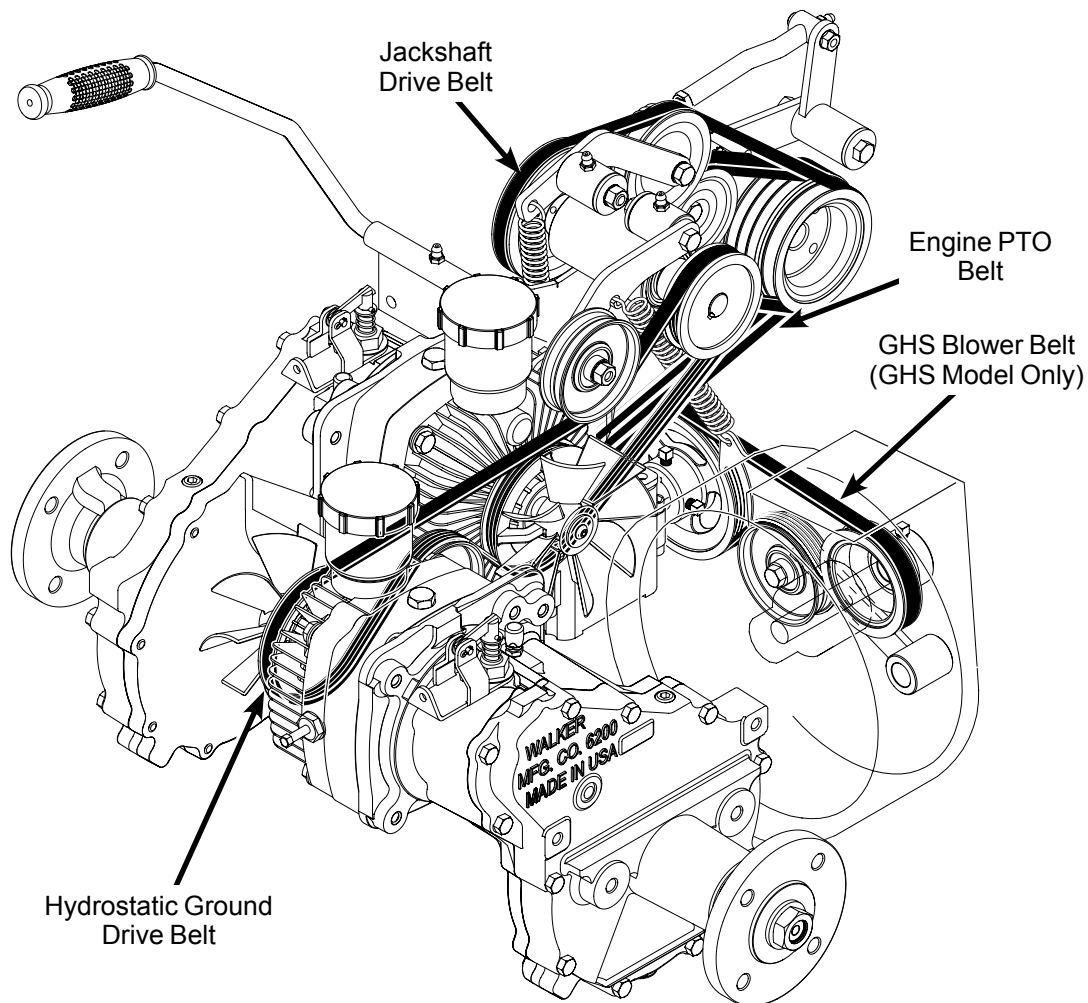
**IMPORTANT: ALWAYS** use genuine factory replacement parts. Substitute parts **CAN** result in product malfunction and possible injury to the operator and/or others.

## Drive Belts

There are **four (4) individual belts** on GHS models or **three (3)** belts on SD models:

- Engine PTO Drive Belt (3 Groove Power Band)
- Jackshaft Drive Belt
- GHS Blower Drive Belt (GHS Model Only)
- Hydrostatic Ground Drive Belt

The belts may be removed and replaced using the **procedures described on the following pages**.



**Belt Locations**

## Engine PTO Drive Belt (3 Groove Power Band)

1. To remove the engine PTO drive belt:
  - a. Remove the jackshaft drive belt from its idler pulley (by pushing down on idler pulley) and let the belt drop down out of the way.

**NOTE:** Step (a) is not essential to removing the PTO belt, but it makes more room to work with the PTO belt.

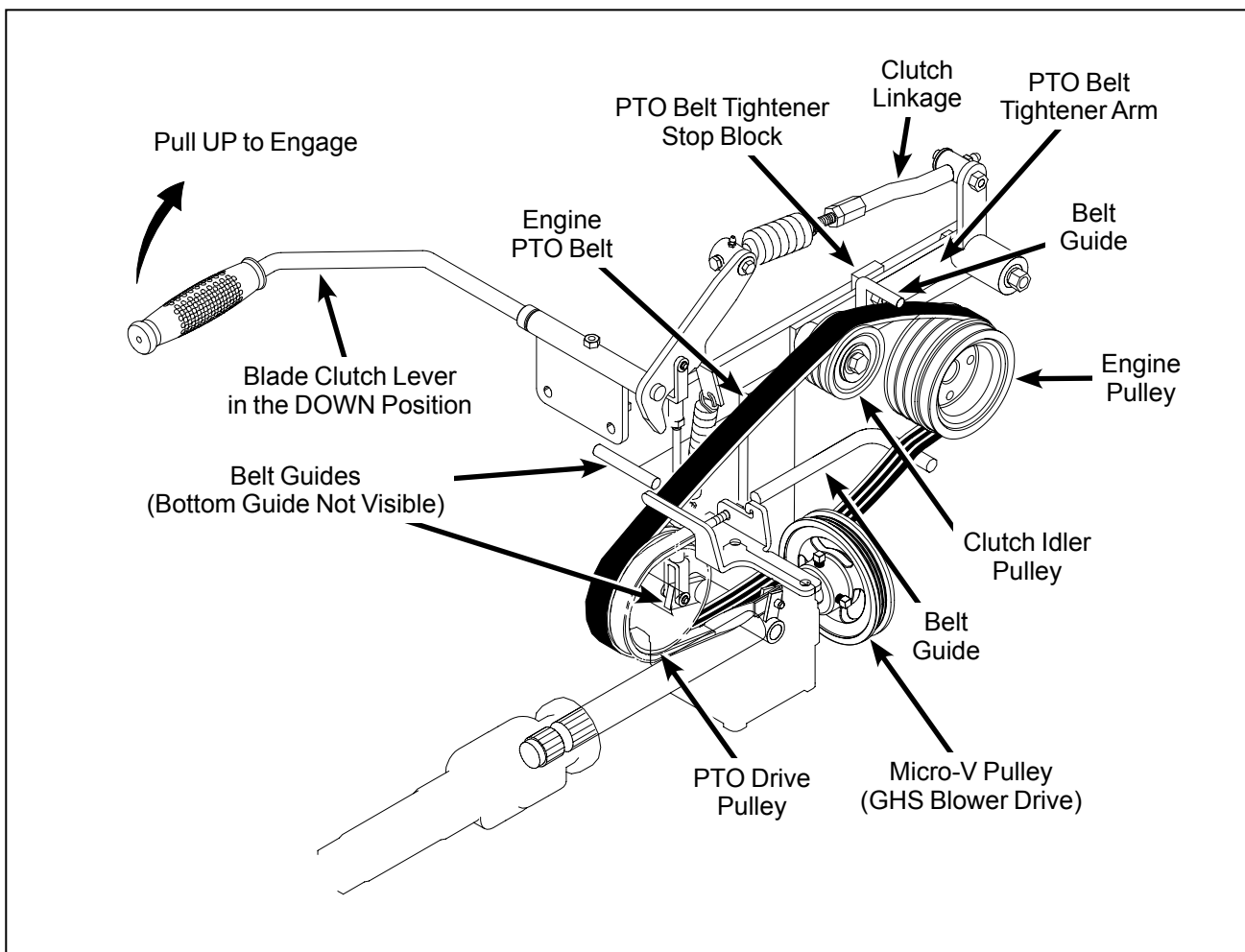
  - b. Push the clutch idler pulley down (until the PTO belt tightener stop block contacts the frame) and then shift the belt off the idler pulley (to the inside).

- c. Raise the clutch lever (engage position) to lift the clutch idler away from the belt.
  - d. Next remove the belt from the engine pulley and then the PTO drive pulley.
2. Install the PTO drive belt by reversing the removal procedure.

**IMPORTANT:** Make sure the belt is installed **inside** the four (4) belt guide pins.

Check and make the following adjustments:

- a. Clutch engagement for proper belt tension
- b. Clutch disengagement and brake action



**Engine PTO Drive Belt Removal**

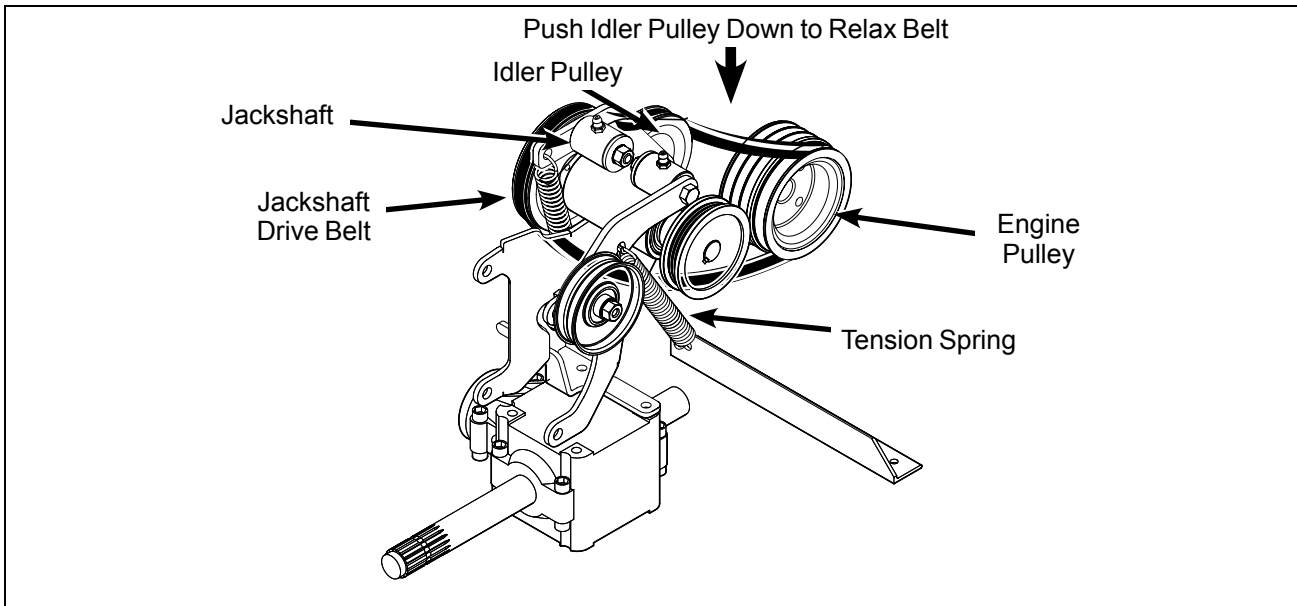
## Jackshaft Drive Belt

1. To remove the jackshaft drive belt:

a. Remove the engine PTO drive belt, as described in previous section.

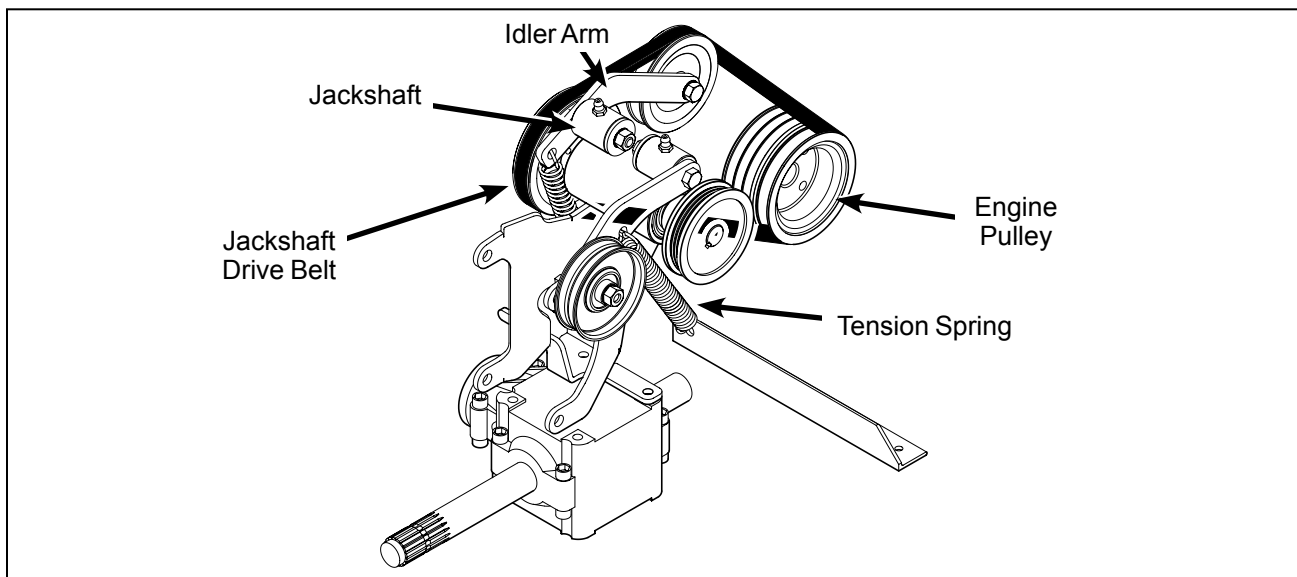
b. Relax the belt by depressing the spring-loaded idler arm.

c. Roll the belt off the jackshaft pulley and remove.



**Jackshaft Drive Belt (Disengaged)**

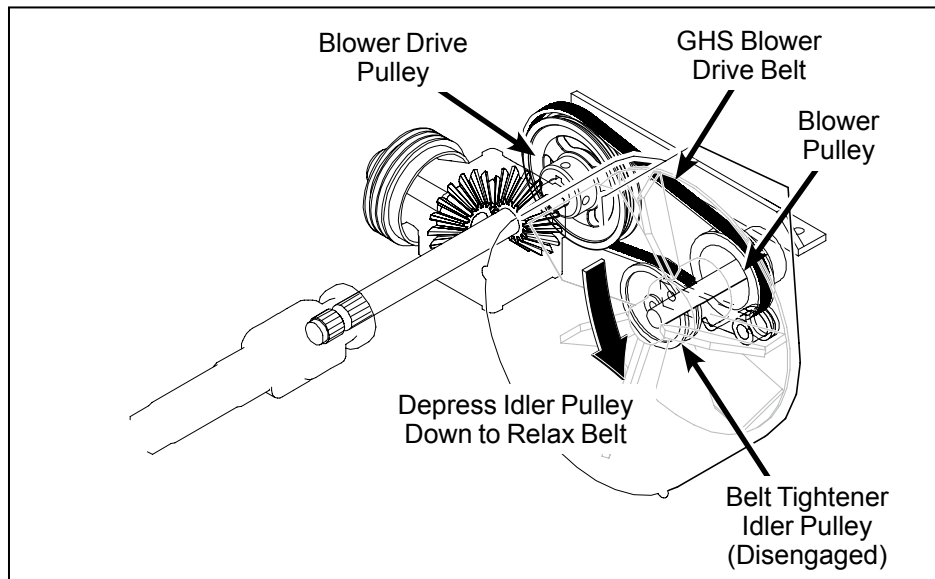
2. Reverse the removal procedure to replace the jackshaft drive belt.



**Jackshaft Drive Belt (Engaged)**

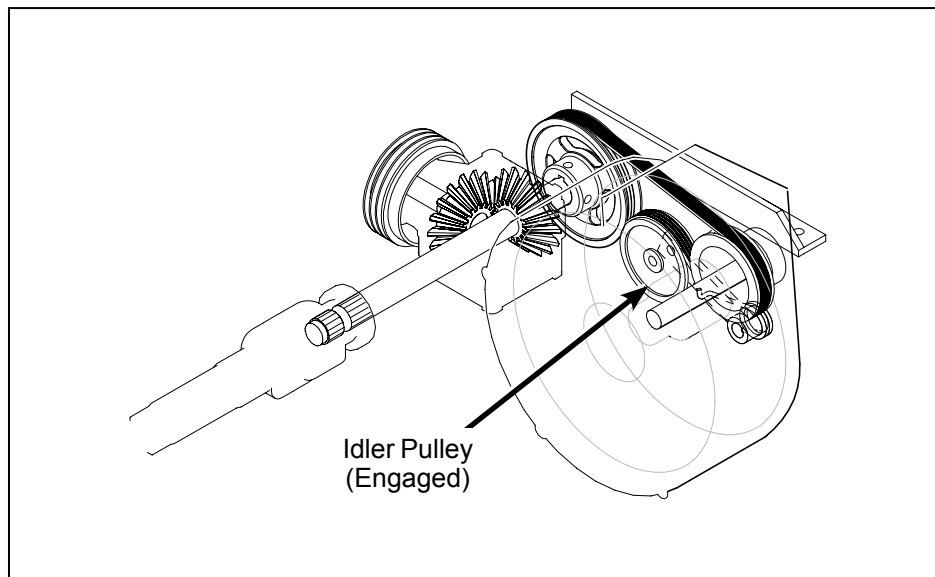
## GHS Blower Drive Belt

1. Remove the GHS blower drive belt tension by depressing the idler pulley on the tightener arm. Roll the belt off the blower pulley. The belt should be clear of the blower pulley, allowing **free movement** of the blower wheel.



**GHS Blower Drive Belt Assembly (Disengaged)**

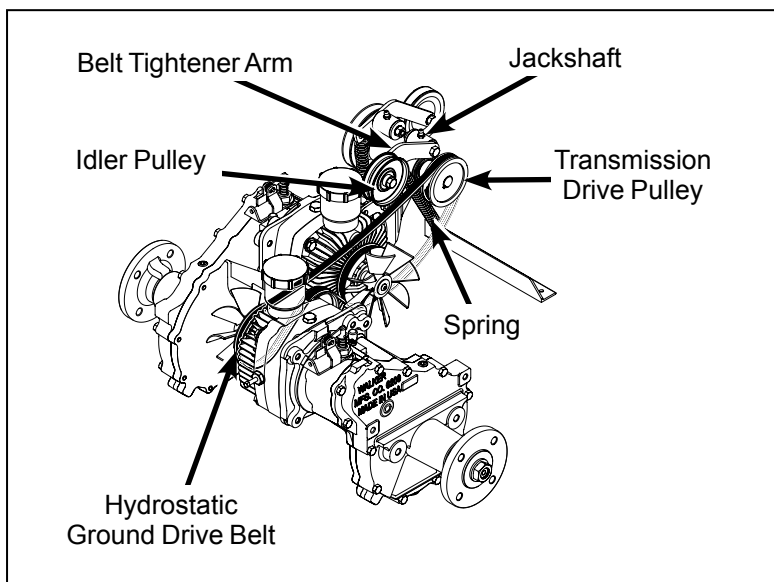
2. Reverse the procedure to install the GHS blower drive belt.



**GHS Blower Drive Belt Assembly (Engaged)**

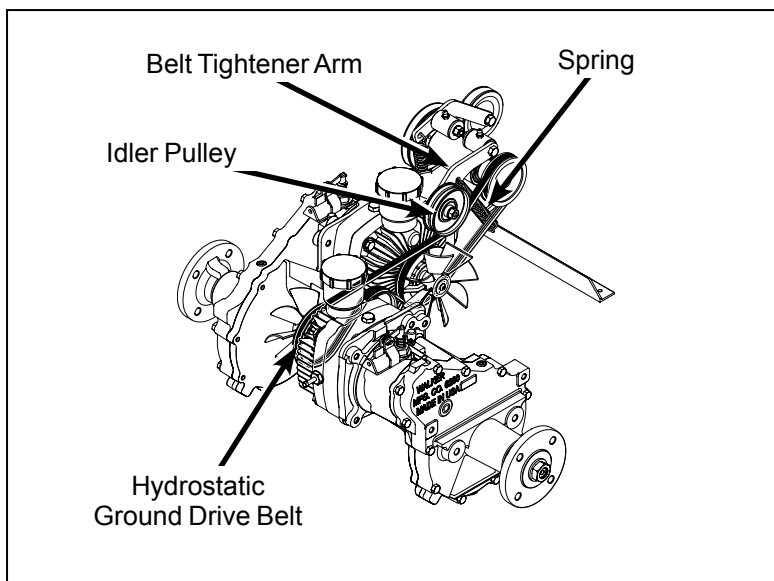
## Hydrostatic Ground Drive Belt

1. To remove the hydrostatic ground drive belt:
  - a. Raise the spring-loaded belt tightener arm and idler pulley to relax belt.
  - b. Slide belt off pulleys, then release the idler.



**Hydrostatic Ground Drive Belt Assembly (Disengaged)**

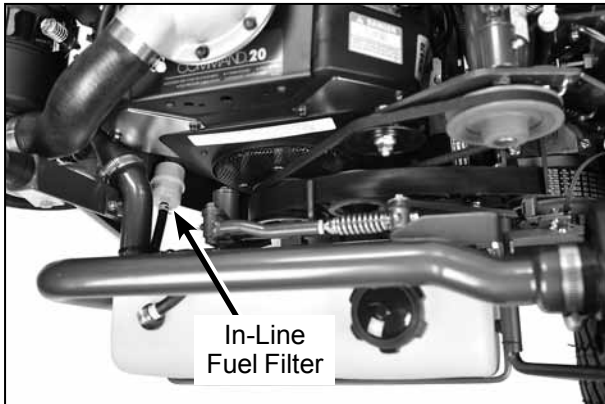
2. Reverse the procedure to install the hydrostatic ground drive belt.



**Hydrostatic Ground Drive Belt Assembly (Engaged)**

## Fuel Filter

Model MC is equipped with an in-line fuel filter. Visually inspect the filter periodically, and replace the filter **yearly**.



**Fuel Filter Location**

**IMPORTANT:** Replace the fuel filter only in a clean area where the fuel line and connections will not be contaminated by any dust and dirt.

 **DANGER**

**Gasoline is extremely flammable and can be highly explosive. To minimize danger:**

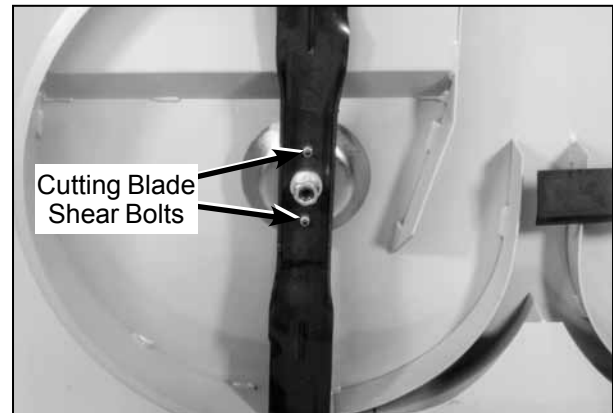
- Use only an approved fuel container for gasoline.
- **DO NOT** allow open flames or sparks near the machine while performing maintenance or refueling; **DO NOT** smoke while working with fuel.
- Wipe up spilled gasoline immediately and completely.

1. Expand and slide clamps on either side of the filter away from filter and pull fuel lines off filter.
2. Replace filter.

## Blade Overload Shear Bolts

**NOTE:** Shear bolts are not used on the DSD52 mower deck.

The cutting blade is keyed to the blade hub by **two (2) shear bolts** (10-24 x 5/8 in. stainless steel machine screws). These bolts are designed to shear and protect the blade drive gearbox from damage if the blade encounters a shock load.



**Cutting Blade Shear Bolts**

**NOTE:** Tightening the **5/8-18 blade mounting nut to 60 ft-lb (81.3 N·m)** is also important for proper shock load protection. It is important to not **overtighten** the mounting nut since this defeats (overrides) the function of the shear bolts.

If these bolts shear, remove the blade and install new bolts. Refer to **CHECKING/SERVICING** in this section for **Sharpen Mower Blades** which describes the blade removal and installation procedure.

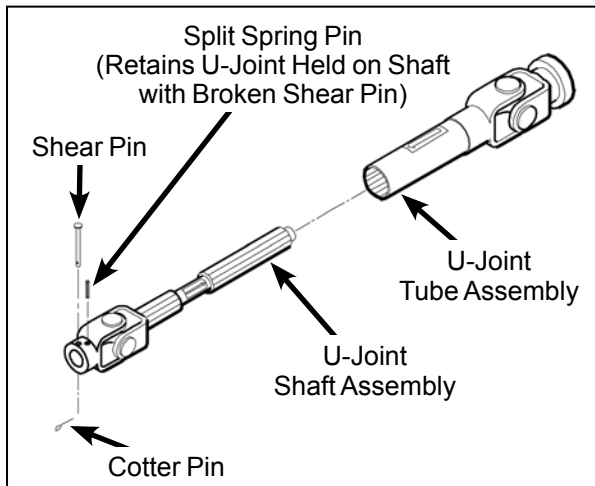
After reinstalling the blade, check blade timing by moving blades through **one (1) complete revolution**. Make sure blade tips pass clear of each other. If timing is incorrect, contact your Walker dealer.

## PTO Shear Pin

The PTO drive shaft connection to the deck gearbox has a shear pin to provide shock load protection to the mower deck drive. This system provides **primary shock protection** in case of blade impact and will normally shear before the individual shear bolts on the blade hub.

When the PTO pin has sheared, use the following procedure to replace it:

1. Loosen the two bolts securing the PTO shaft guard on the deck; lift the guard off. (Holes in guard are slotted for easy removal.)
2. Rotate U-joint on shaft to align the shear pin hole with the hole (and shear pin fragment) in the shaft. Use a punch to drive the remaining portion of the old shear pin out.
3. Install new shear pin and secure with cotter pin.



## PTO Shear Pin

**IMPORTANT:** Use only Walker P/N 8067-13 shear pins for replacement to provide proper shock protection -- these pins are hardened to shear under a specific amount of load.

4. Reinstall the PTO shaft guard.

Before operating the deck, inspect the blade overload shear bolts and also check blade timing (on gear driven decks) by moving blades through **one (1) complete revolution**. Make sure blade tips pass clear of each other. If timing is incorrect, contact your Walker dealer.

**NOTE:** Use Walker P/N 8067-10 for heavy duty gearboxes.

## Mower Blades

Mower blades are removed and remounted as described in **Sharpen Mower Blades** instructions. During the course of sharpening and inspecting mower blades, if there are **any of the following conditions of wear or damage, blades should be replaced** for reasons of safety and performance of the machine:

- An excessive amount of the **flat section** of the blade has been **ground away** (removed) when the blade is sharpened. Replace the blade **when less than a 3/4 in. (19 mm) flat section remains** at the blade tip.
- Examine ends of the blade carefully, especially the intersection where the flat section of the blade turns up to form the “wing tip” (refer to **Mower Blade Profile for Sharpening** illustration in **Sharpen Mower Blades** instructions). Since sand and abrasive material can wear metal away in this area, the blade should be **replaced when metal thickness has worn to 1/16 in. (1.6 mm) or less**.

## DANGER

When blades are operated over sandy soil, and if blades are allowed to wear, a “slot” may be worn into the wing tip of blade. Eventually a piece of the blade may break off creating a serious potential for injury or damage.

- Check the blades for **straightness** by marking blade tip position inside the deck housing and then rotating the opposite end of the blade to the same position and comparing. If the difference in blade tip track is **more than 1/8 in. (3 mm)**, the blade is bent and **should be replaced**.
- Inspect the blade surface, especially in formed areas, for **cracks**. Replace the blade if any cracks are found.

## WARNING

**DO NOT** try to straighten a blade that is bent. **NEVER** weld a broken or cracked blade. **ALWAYS** replace with a new blade to assure safety.



Reinstall the blades following procedure in **CHECKING/SERVICING for Sharpen Mower Blades** instructions. If blades are replaced, always use **Walker original equipment blades** to ensure safety and optimum performance. The quality and performance of **replacement blades offered by other manufacturers** cannot be guaranteed, they **could be dangerous**.

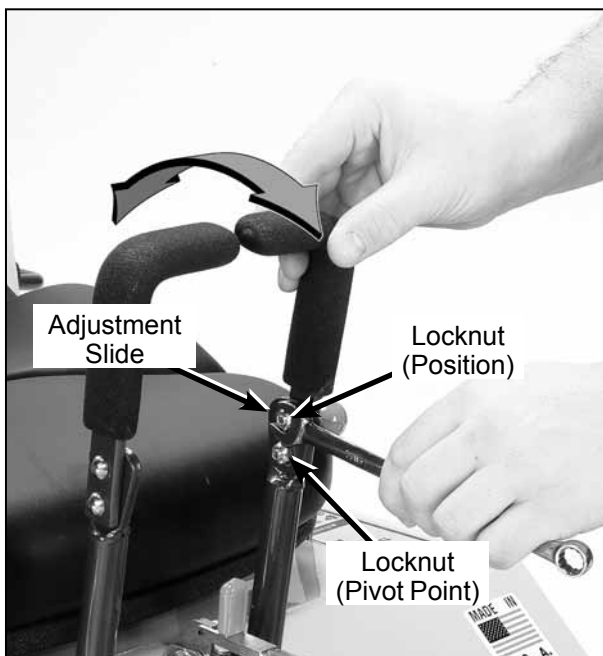
**CAUTION**

**ALWAYS** use genuine factory replacement parts. Substitute parts **CAN** result in product malfunction and possible injury to the operator.

## ADJUSTMENTS

### Steering Levers

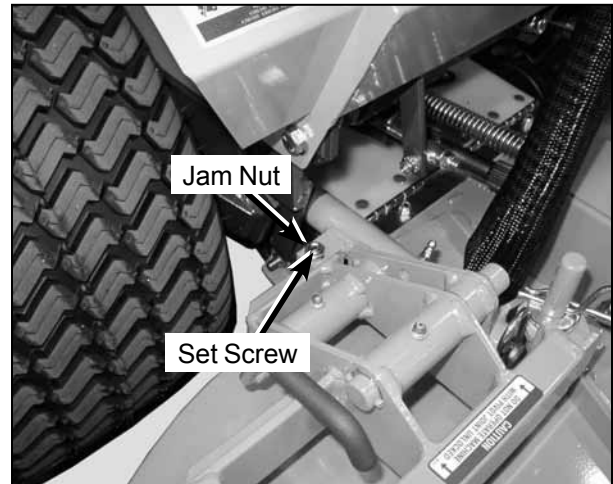
An adjustment range of approximately 3 in. (76 mm) is available on the steering levers - the levers can be adjusted forward or aft depending on the arm length of the operator. The levers can be adjusted by loosening the locknut at the pivot point and the locknut holding the lever in position in the adjustment slide. Adjust levers into most comfortable position and tighten both locknuts.



**Steering Lever Adjustment**

### Tilt-Up Deck Adjustable Stop

When the carrier frame hinge joint is properly adjusted, the deck lock levers should move in and out of the engaged and disengaged positions freely. Adjustments are made by loosening the jam nut and tightening or loosening the set screws on the Deck Mount Pivot Brackets. Retighten the jam nut when the adjustment is complete.



**Tilt-Up Deck Adjustable Stop**

### GHS Signal Horn Adjustment (When Horn Sounds at Wrong Time)

The vertical position of the Grass-Pak<sup>®</sup> switch is critical to make sure the catcher box does not overfill causing the delivery chute to clog. The vertical position can be adjusted by bending the mounting bracket for the Grass-Pak<sup>®</sup> switch.

1. Position the discharge chute so that it is pointing straight back.
  - a. Turn the ignition switch **ON** and move the blade clutch to the **ENGAGED** position (engine not running).
  - b. Open the catcher back door and monitor the spout position (as it oscillates) and move the blade clutch to the **DISENGAGED** position and turn the ignition switch to the **OFF** position.

**⚠ DANGER**

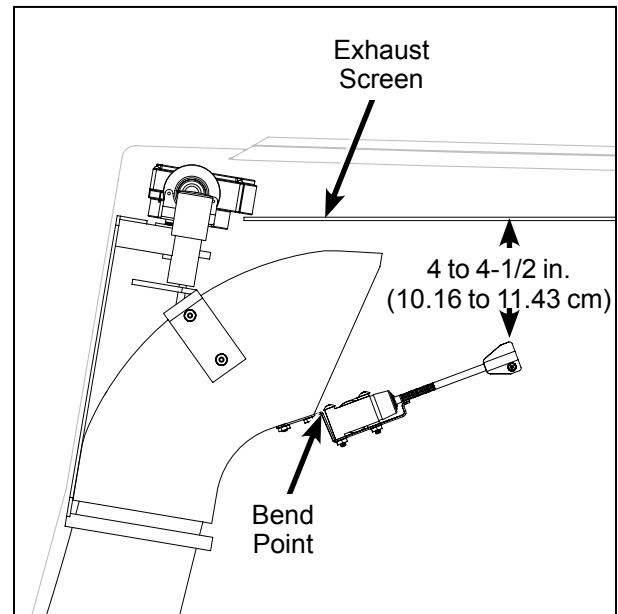
**PINCH POINT - SPRING LOADED DOOR**

When lowering the door on the GHS catcher, depress the safety latch on the side of the catcher. **BE VERY CAREFUL** to keep hands, fingers, etc. out of the hinging mechanism and away from the door frame as the door closes. The springs that hold the door closed during operation are very powerful, and the door can slam shut with considerable force.

**⚠ WARNING**

**DO NOT** test the Grass-Pak<sup>®</sup> switch with the engine running. Projectiles **CAN** be thrown out of the grass delivery spout and **CAN** cause serious injury to bystanders or property damage.

2. Measure from the exhaust screen (top of catcher) to the top of the Grass-Pak<sup>®</sup> switch actuator vane, refer to **Adjusting the Grass-Pak<sup>®</sup> Switch** illustration. The proper measurement should be between 4 and 4-1/2 inches (10.16 and 11.43 cm).



**Adjusting the Grass-Pak<sup>®</sup> Switch  
(Side View of Catcher Box)**

3. If adjustment is required, hold the Grass-Pak<sup>®</sup> switch mount bracket firmly, grasp the switch and bracket and bend it down. Adjustments should be done in very small increments checking the measurement each time until the recommended measurement is achieved. This measurement is applicable to all catcher box sizes.

**NOTE:** It will not be possible to adjust the switch to give a signal at the precise instant the catcher is full for a wide variety of mowing conditions. For example, wet heavy grass will fill the catcher differently than dry fluffy grass, causing the signal to come on a little sooner or later than usual. Primarily, the switch should be adjusted to give the “full” signal with a **little advance warning before overflowing and clogging** of the grass delivery chute begins (regardless of mowing conditions).

# LIMITED WARRANTY FOR WALKER COMMERCIAL RIDER MOWER

## 1. WHAT THIS WARRANTY COVERS, AND FOR HOW LONG:

Walker Manufacturing company will, at its option, repair or replace, without charge, any part covered by this warranty which is found to be defective in material and/or workmanship within one (1) year\* after date of sale to the original retail purchaser unless the product is used for rental purposes, in which case this warranty is limited to ninety (90) days. At Walker's request, customer will make the defective part available for inspection by Walker and/or return the defective part to Walker, transportation charges prepaid. All parts and components of the Walker Mower are covered by this warranty **except** the following components which are warranted separately by their respective manufacturers:

Kohler Engine  
Kubota Engine  
Kawasaki Engine  
Eaton Hydraulic Transmission  
Peerless Gearboxes  
Battery  
Tires

The available warranties covering these items are furnished with each mower. Walker does not assume any warranty obligation, liability or modification for these items, which are covered exclusively by the stated warranty of the respective manufacturers noted above.

\* An extended three (3) year warranty is offered on the Walker P/N 6200-9 Gear Axle Assembly.

## 2. WHAT THIS WARRANTY DOES NOT COVER:

- A. This warranty does not cover defects caused by depreciation or damage caused by normal wear, accidents, improper maintenance, improper use or abuse of the product, alterations, or failure to follow the instructions contained in the Owner's Manual for operation and maintenance.
- B. The customer shall pay any charges for making service calls and/or for transporting the mower to and from the place where the inspection and/or warranty work is performed.

## 3. HOW TO OBTAIN SERVICE UNDER THIS WARRANTY:

Warranty service can be arranged by contacting the dealer where you purchased the mower or by contacting Walker Manufacturing Company, 5925 East Harmony Road, Ft. Collins, CO 80528. Proof of the date of purchase may be required to verify warranty coverage.

## 4. WARRANTY LIMITATION:

- A. **THERE IS NO OTHER EXPRESS WARRANTY. ANY WARRANTY THAT MAY BE IMPLIED FROM THIS PURCHASE INCLUDING MERCHANTABILITY AND FITNESS FOR A PARTICULAR PURPOSE IS HEREBY LIMITED TO THE DURATION OF THIS WARRANTY AND TO THE EXTENT PERMITTED BY LAW ANY AND ALL IMPLIED WARRANTIES ARE EXCLUDED.** Some states do not allow limitations on how long an implied warranty lasts, so the above limitations may not apply to you.
- B. **WALKER WILL NOT BE LIABLE FOR ANY INCIDENTAL, CONSEQUENTIAL, OR SPECIAL DAMAGES AND/OR EXPENSES IN CONNECTION WITH THE PURCHASE OR USE OF THE MOWER.** Some states do not allow the exclusion or limitation of incidental or consequential damages, so the above limitation(s) or exclusion(s) may not apply to you.
- C. Only the warranty expressed in this limited warranty shall apply and no dealer, distributor, or individual is authorized to amend, modify, or extend this warranty in any way. Accordingly, additional statements such as dealer advertising or presentations, whether oral or written, do not constitute warranties by Walker, and should not be relied upon.
- D. This warranty gives you specific legal rights, and you may also have other rights which vary from state to state.

## Sound - Model MC

### Sound Test

Sound test conducted was in accordance with 79/113/EEC and was performed on 28 May 10 under the conditions listed:

General Condition: Clear

Temperature: 85 (F)° 29 (C)°

Wind Speed: < 5 mph (< 8 kmh)

Humidity: 20%

Barometric Pressure: 83.8 kPa

Deck Size < 122 cm

Deck Size > 122 cm

**Lwa**  
**80**

**LpA**  
**100**

OPERATOR

**Lwa**  
**79**

**LpA**  
**99**

OPERATOR

## Vibration - Model MC

### Vibration Level

**1.77g**

Vibration levels at the operators handles were measured in the vertical, lateral, and longitudinal directions using calibrated vibration test equipment.

Tests were performed on 28 May 10 under the conditions listed:

General Condition: Clear

Temperature: 85 (F)° 29 (C)°

Wind Speed: < 5 mph (< 8 kmh)

Humidity: 20%

Barometric Pressure: 83.8 kPa

# WALKER MOWERS™

WALKER MFG. CO. • 5925 E. HARMONY ROAD, FORT COLLINS, CO 80528 • (970) 221-5614  
FORM NO. 011510 PRINTED IN USA [www.walkermowers.com](http://www.walkermowers.com) ©2010 WALKER MFG. CO