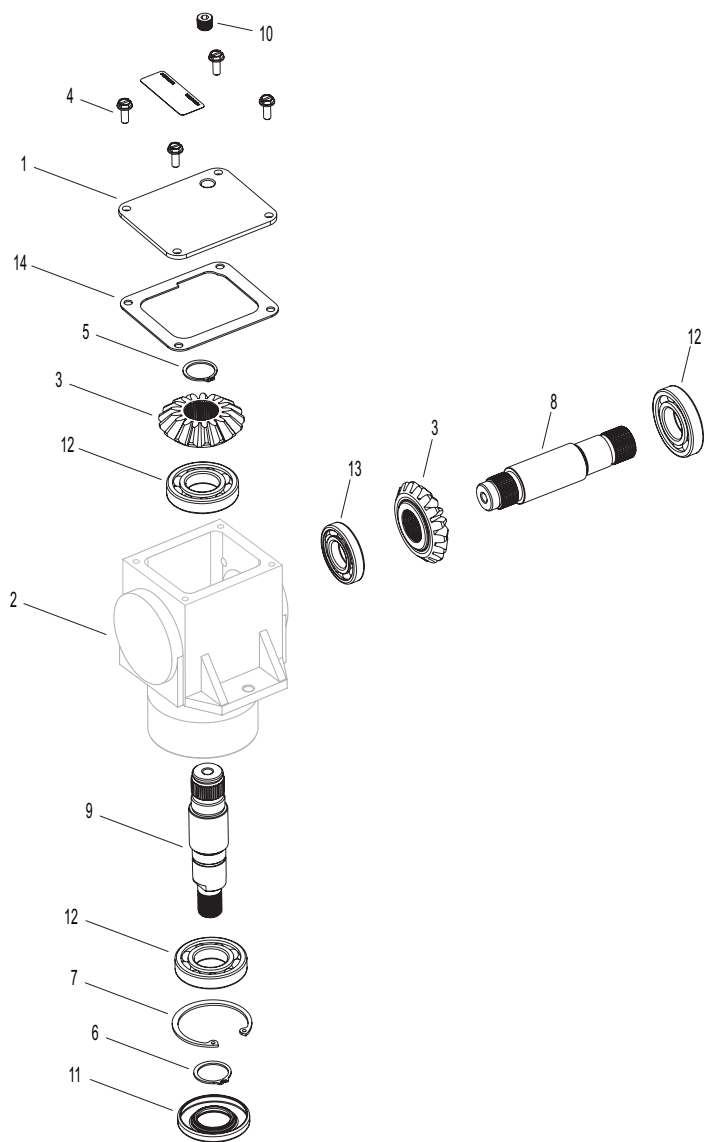


WALKER MANUFACTURING COMPANY

ALUMINUM PEERLESS GEARBOX 1000-054A (WALKER P/N 5052-1)



Return to
Identification Page

ITEM NO.	WALKER PART NO.	PEERLESS PART NO.	DESCRIPTION	NO. REQ'D
1	P018	772067	Cover, LH	1
2	N/A	770092A	Right Angle Drive Housing	1
3	P003	778101	Miter Gear (17 teeth-steel)	2
4	P008	792025	Screw, RD/HD Self-Tap	4
5	P032	788018	Snap Ring, Gear Retainer	1
6	P028	788019	Snap Ring	1
7	P016	792119	Snap Ring	1
8	P011	776041A	Input Shaft	1
9	P030	776261	Output Shaft (4-1/2)	1
10	P041	28534	Plug, Cover	1
11	P001	788029	Seal, Oil (Federal-Mogele)	1
12	P024	780034	Ball Bearing	3
13	P019	780024	Ball Bearing	1
14	P004	788028	Gasket Cover	1

Return to
Identification Page

This Gearbox is used in the following applications:

(RH and LH indicate view from operator seat)

- DGHS36 RH Gearbox
- DGHS36 LH Gearbox
- DSD36 LH Gearbox
- DGHS42 RH Gearbox
- DGHS42 LH Gearbox
- DSD42 LH Gearbox
- DML42 LH Gearbox
- DGHS48 RH Gearbox
- DGHS48 LH Gearbox
- DSD54 LH Gearbox