

2600A-PLUS ESTATE BROADCAST SPREADER ASSEMBLY and OPERATING INSTRUCTIONS

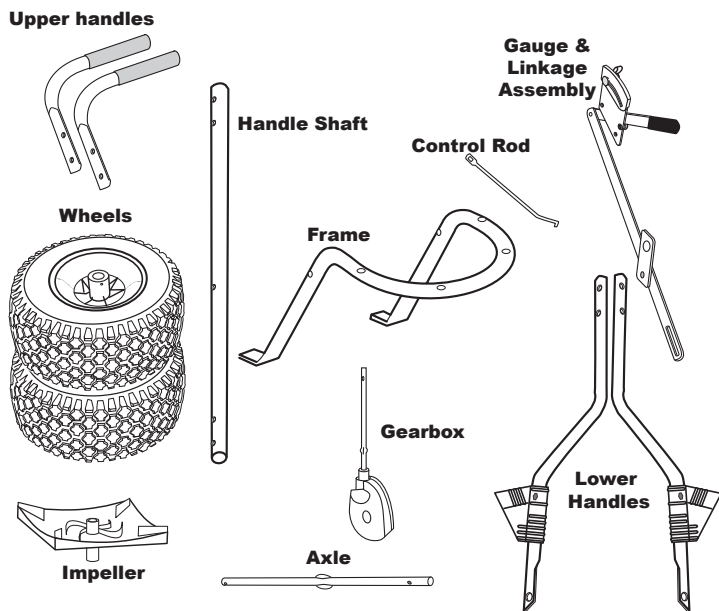
EarthWay
EV-N-SPRED
WITH
SIDESPRED-CONTROL

IF YOU ARE MISSING ANY PARTS, HAVE ANY DIFFICULTY IN ASSEMBLY, OR HAVE ANY QUESTIONS REGARDING THE SAFE OPERATION OF THIS SPREADER, PLEASE CONTACT US. THIS MODEL INCLUDES **LIFETIME TECHNICAL SUPPORT** HOT LINE: 574-848-7491 or 800-294-0671, EMAIL: TECHSUPPORT@EARTHWAY.COM

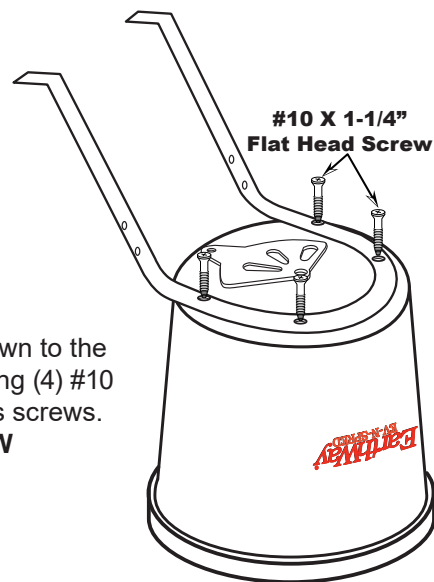
HELPFUL HINTS: REVIEW THE DIRECTIONS BEFORE ASSEMBLY

- ☑ Make sure the **ARROW** on the gear box points to the front of the spreader. The impeller must turn clockwise. Reversing the gearbox will cause the impeller to turn counter clockwise. Clean the impeller plate after each use. Fertilizer stuck on the impeller blades will cause uneven spreading.
- ☑ Your spreader is designed to be pushed at three miles per hour, which is a brisk walking speed. Slower or faster speeds will change the spread patterns. Wet fertilizer will also change the spread pattern and flow rate. Clean and dry your spreader thoroughly after each use. A coating of light spray oil on all metal parts will help prevent corrosion, pay special attention to coating *the inside* of the steel tubing.
- ☑ Gears are permanently lubricated at the factory. Do not open the gearbox or dirt may enter.

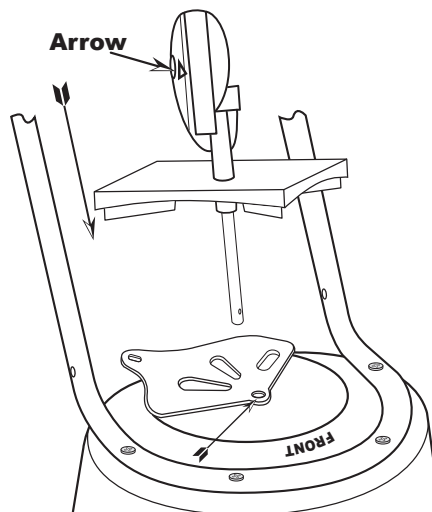
1. Remove and identify all loose parts from carton.



2. Position hopper as shown to the right. Install Frame using (4) #10 x 1/4" Flat Head Phillips screws. **TIGHTEN THESE NOW**



3. Install gear box by inserting the pinion shaft into hole in center of hopper's bottom. The **ARROW** on the gearbox must point to **FRONT** of the hopper. Follow label instructions on hopper.

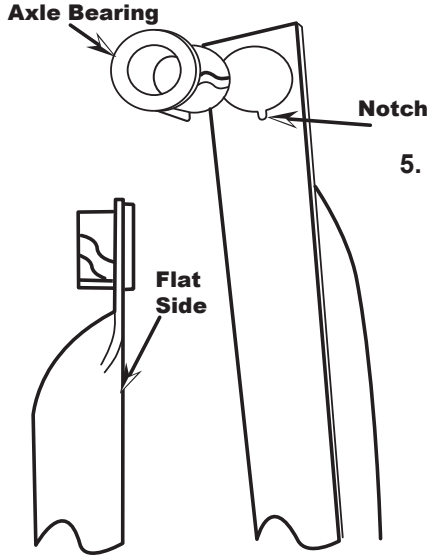


Warning
Remove agitator when
using Rock Salt to prevent
gearbox damage

EarthWay
MADE IN THE USA

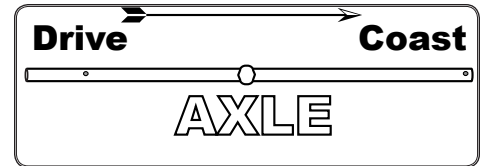
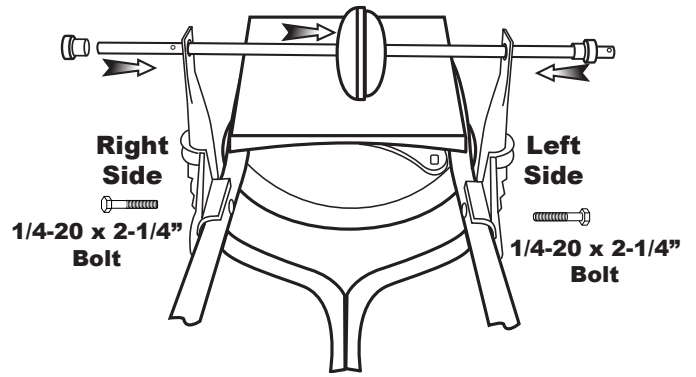
4. Install lower handles onto Frame and secure with 1/4-20 x 2 1/4" bolt through hole in Frame Braces and through the hole in frame install locknut.

NEXT, SLIDE THE AXLE (COAST WHEEL SIDE FIRST) through the right side lower handle and into the gearbox (with the arrow facing the **FRONT**), you will need to rotate the axle to engage with the gearbox, then through the left side lower handle.



5. Install the bearings over the axle and press into the notches of the lower handle as shown above.

Slide Axle through as shown

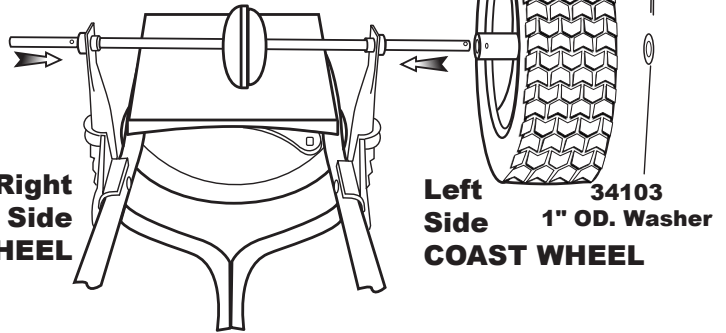


33107
1/8" X 1-3/4" Cotter Pin



33106
1/8" X 3/4" Cotter Pin

Slide wheels on axle as shown



NOW GO BACK AND TIGHTEN ALL NUTS AND BOLTS, DO NOT OVER TIGHTEN.

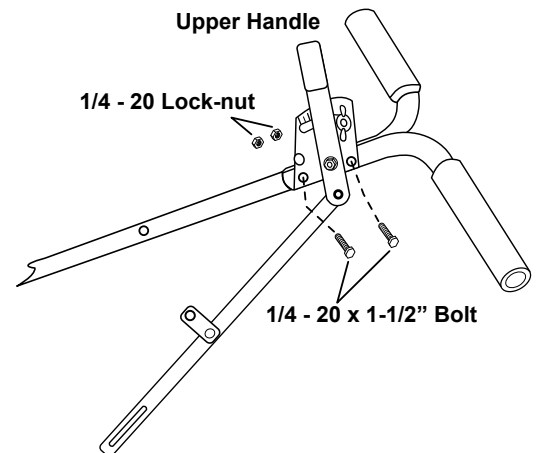
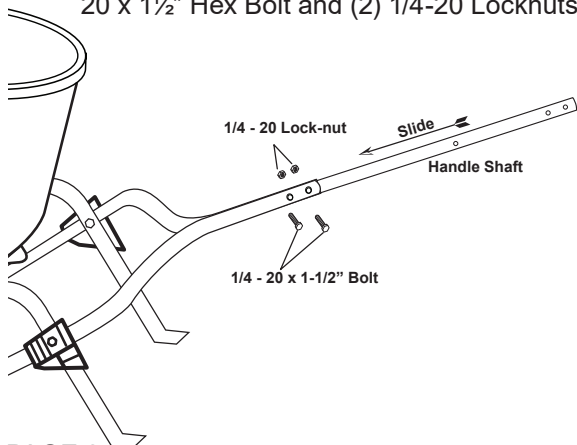
6. Install drive wheel to axle using pin hole nearest to lower handles as shown. Insert 1 3/4" Cotter pin through wheel and through axle. Bend with pliers to prevent pin from falling out.

7. Install coast wheel to axle using outside pin hole. As shown, add the flat washer, and insert 3/4" Cotter pin through axle (not thru the wheel). Bend with pliers to prevent pin from falling out.

~ ~ ~ IMPORTANT ~ ~ ~

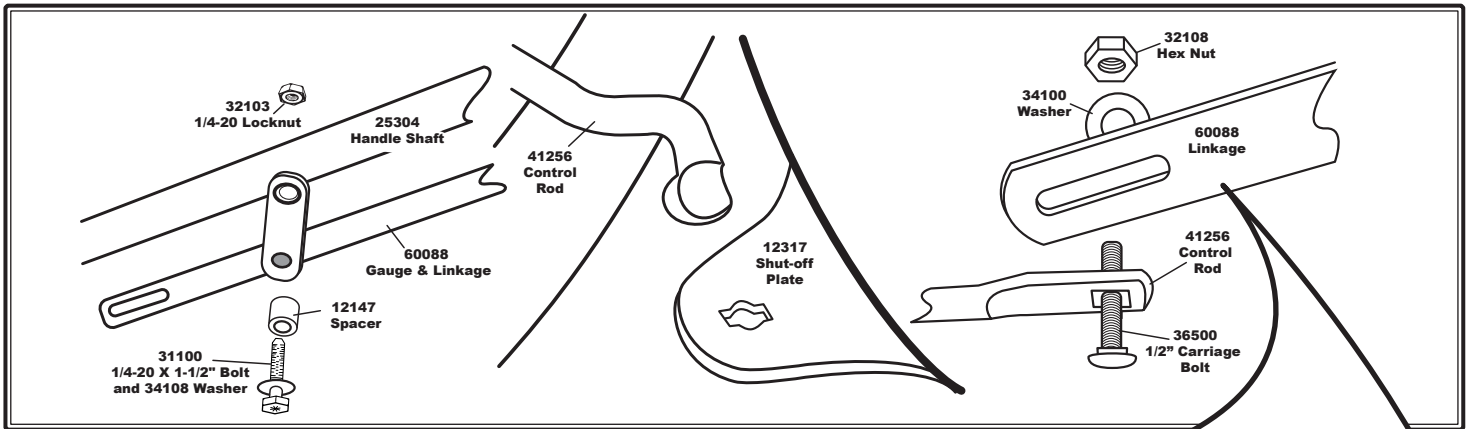
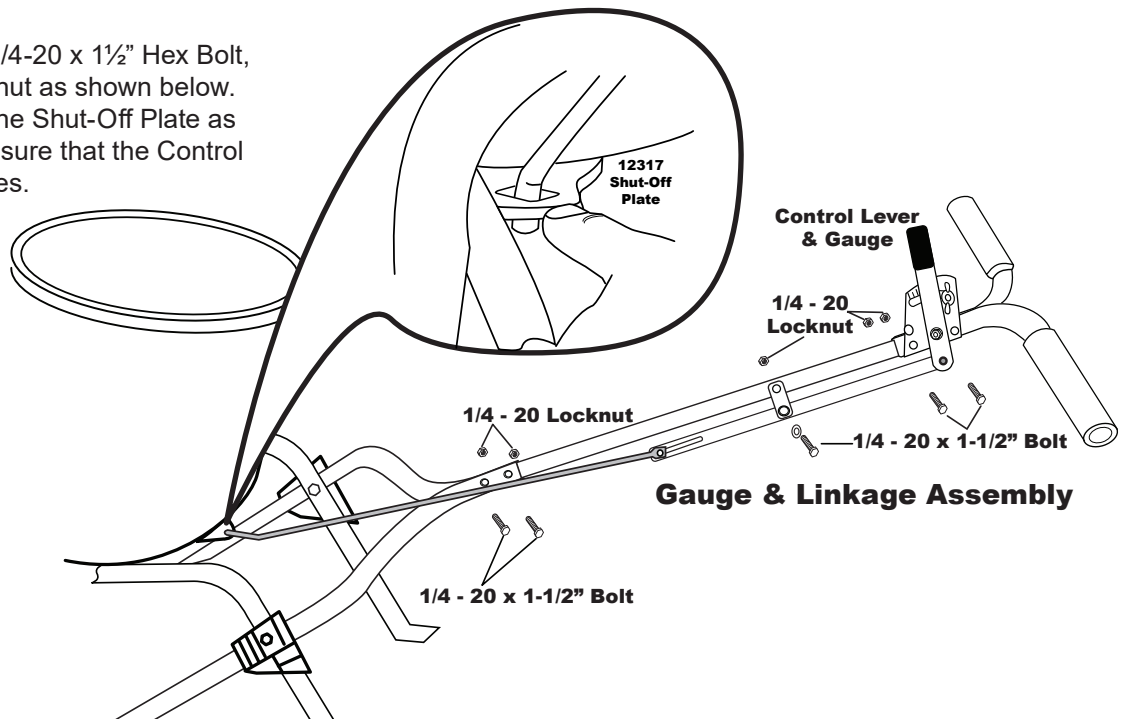
TURN SPREADER UPRIGHT ON TO WHEELS.

8. Install Handle Shaft as shown below using (2) 1/4-20 x 1 1/2" Hex Bolt and (2) 1/4-20 Locknuts



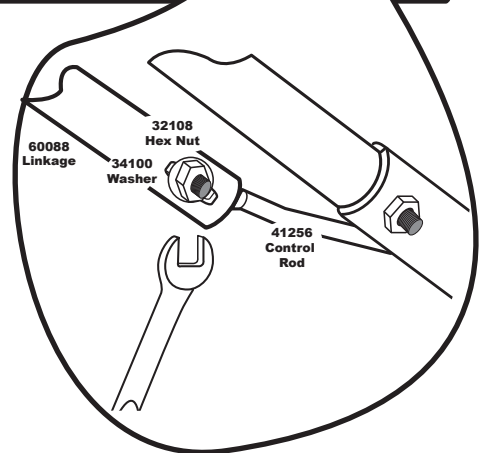
9. Insert (2) 1/4-20 x 1 1/2" Hex Bolt through Gauge and Linkage Assembly, then through the Upper Handle, Handle Shaft, Upper Handle and secure with (2) 1/4-20 Locknuts as shown at the right.

10. Attach Linkage Pivot with 1/4-20 x 1 1/2" Hex Bolt, Flat Washer, Spacer and Locknut as shown below. **Next**, install Control Rod into the Shut-Off Plate as shown at the right. **TIP:** Make sure that the Control Rod is above the Lower Handles.

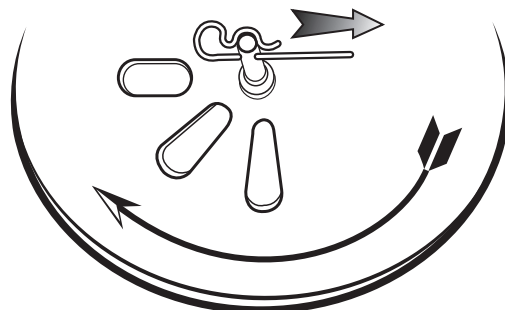


11. Using 1/2" Carriage Bolt, install through the Control Rod, Linkage and install the Flat Washer and secure with Hex Nut to a loose fit to allow for CALIBRATION below. See above right and below for details.

12. CALIBRATION: THIS STEP ENSURES THAT YOUR SPREADER IS PROPERLY ADJUSTED TO GIVE YOU A CORRECT STARTING POINT TO APPLY MATERIALS AT THE CORRECT SETTING. Pull the Control Lever back to #30 on the Gauge, then push the shut-off plate forward until the shut-off and the drop holes are fully open. Now tighten the Hex Nut on the 1/2" Carriage Bolt on the Linkage Assembly. Check to confirm calibration by closing the Control Lever, then reopening to #30 and confirm that the drop holes are fully open.



13. Insert agitator to pinion shaft on inside of hopper. **NOTE:** Position of flat side of the agitator as shown at the right.



5-YEAR LIMITED WARRANTY

Earthway Products, Inc. warrants this product to be free of defects in original workmanship and materials for a period of 5-Years to the end user with the original purchase receipt. If a manufacturing non-conformance is found, Earthway Products, Inc. at its discretion will repair or replace the part(s) or product at no charge provided the failure is not the result of incorrect installation, mishandling, misuse, tampering, or normal wear and tear as determined by Earthway. Earthway at its discretion may require that the part(s) or product be returned along with the original purchase receipt at owners' expense for examination and compliance with the terms of this warranty. Do not return any product without first receiving authorization from Earthway Products, Inc. To seek remedy under this warranty, contact Earthway Products, Inc. at 574-848-7491, techsupport@earthway.com or write to Earthway Products, Inc. P.O. Box 547 Bristol, Indiana 46507 and describe the nature of the manufacturing defect. **SPECIFIC LIMITATIONS:** This warranty covers only the part(s) or product; any labor charges associated with repair or replacement of non-conformances are specifically excluded. Due to the corrosive nature of most fertilizers and ice melt products, Earthway Products, Inc. makes no warranty against and specifically excludes part(s) or product degradation or failure due to corrosion or its effects. Clean and dry your spreader thoroughly after each use, as a preventative measure, coat all metal parts (inside of tubing) with a light oil or silicon spray.

OPERATING INSTRUCTIONS

Before filling hopper, become familiar with the operation of this spreader.

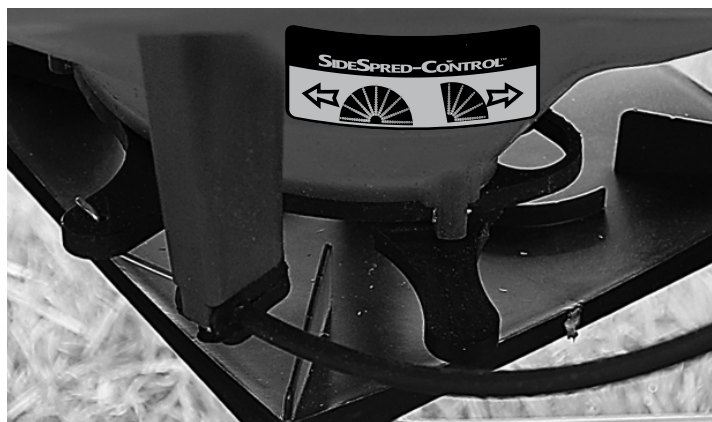
1. Obtain proper setting for material to be used from the RATE SETTING MATRIX included with this spreader.
2. Move stop bolt on rate gauge assembly to the proper setting for the material that you are spreading.
3. While pushing spreader forward, pull the Control Lever back to stop bolt.
4. To stop, push lever forward to close flow holes before you stop moving.
5. When finished, empty any remaining material from hopper.
6. Thoroughly wash spreader and allow to dry before storing. Spray all metal surfaces (inside & outside) with WD-40 or other light oil to help prevent corrosion.

NEW ~ NOUVEAU ~ NUEVO

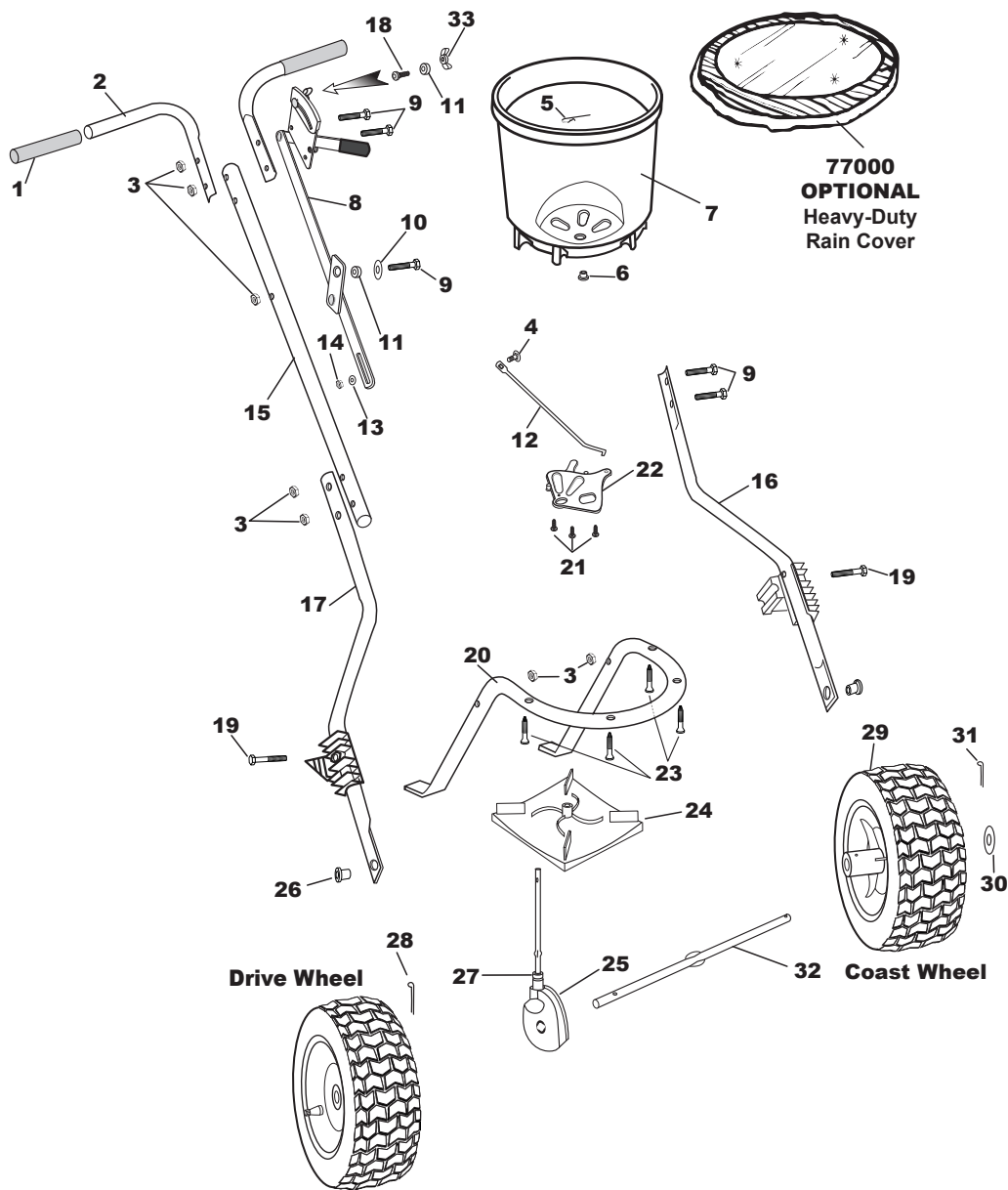
The **SIDESPRED-CONTROL™** is a new innovation that eliminates the need to use a side deflector, which can adversely affect your application rate, to prevent material from being spread into flowerbeds, on sidewalks, or driveways. The **SIDESPRED-CONTROL™** maintains the correct application rate while it is activated, giving you excellent results in seeding or spreading while controlling the spread pattern on the left side of the spreader. The **SIDESPRED-CONTROL™** is an 2600APlus exclusive.

SIDESPRED-CONTROL™ OPERATION

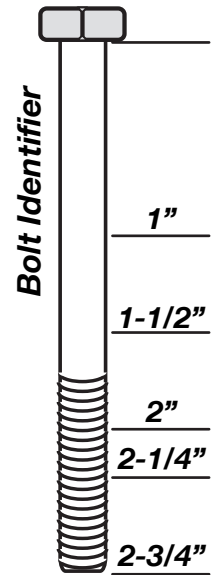
The **SIDESPRED-CONTROL™** lever is located on the back of the hopper at the bottom. To operate the **SIDESPRED-CONTROL™**, slide the control lever from the left, to the right. This will activate the **SIDESPRED-CONTROL™** for a **PARTIAL** spread pattern and prevent material from being spread to the left side of the spreader. Position the left wheel of your spreader 12"-16" from the sidewalk, flowerbed, or driveway and spread as normal. When you have completed this spreading pass, open the **SIDESPRED-CONTROL™** by sliding the control lever from right to left, for a **FULL** spread pattern.



Earthway Products, Inc.
P.O. Box 547
Bristol, IN 46507
Phone: 574-848-7491
or 800-294-0671
www.earthway.com



**77000
OPTIONAL
Heavy-Duty
Rain Cover**



Warning
Remove agitator when
using Rock Salt to prevent
gearbox damage

2600A Plus Broadcast Spreader ~ Parts List

Key #	Part #	Description	Key #	Part #	Description
1	19115	.875" ID. X 4" IL. BLACK GRIP	18	37100	1/4-20 X 1" CARRIAGE BOLT ZINC
2	25403	UPPER HANDLE	19	31106	1/4-20 X 2 1/4" HHCS ZINC
3	32103	1/4-20 NYLON INS LOCKNUT ZINC	20	25107	FRAME
4	36500	#10-24 X 1/2" CARRIAGE BOLT SS	21	31138	#8 X 3/8" PMT #8 HD COARSE BLACK
5	33117	AGITATOR	22	12221	New SSC SHUT OFF PLATE
6	12220	GEAR BOX BUSHING	23	31108	#10 X 1 1/4" TYPE A FHPS ZINC
7	60089	HOPPER ASSEMBLY	24	12248	IMPELLER DISHED
8	60088	GAUGE & LINKAGE ASSEMBLY	25	60451	GEAR BOX ASSEMBLY
9	31100	1/4-20 X 1 1/2 HHMS ZINC	26	12167	SPACER BEARING
10	34108	9/16" OD. X .257 ID. WASHER ZINC	27	12206	DUST COVER (GEAR BOX) RND
11	12147	SPACER	28	33107	1/8" X 1 3/4" COTTER PIN S.S.
12	41256	CONTROL ROD	29	70149	9 IN PNEUMATIC WHEEL
13	34100	#10 FLAT WASHER SS	30	34103	1"OD X 17/32"ID X 1/32" WASHER ZINC
14	32108	10-24 HX. NUT ZINC PLATED	31	33106	1/8" X 3/4" COTTER PIN ZINC
15	25304	HANDLE SHAFT	32	23519	AXLE
16	25210L	LOWER HANDLE Assembly - Left	33	60027	WING NUT ASSEMBLY BLACK
17	25210R	LOWER HANDLE Assembly - Right			

Broadcast Setting Matrix

Calibration Techniques

How to ensure your spreader is properly calibrated

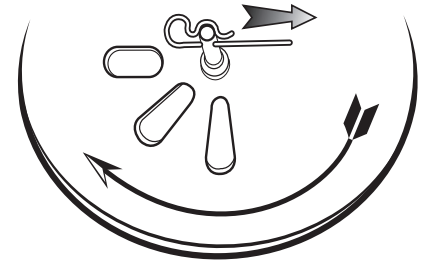
Make sure the drop holes in the bottom of the hopper are fully open when the Rate Control handle is on #30. If not, please adjust the control rod to allow for a full open hopper position at #30.

Rod Type Adjustment

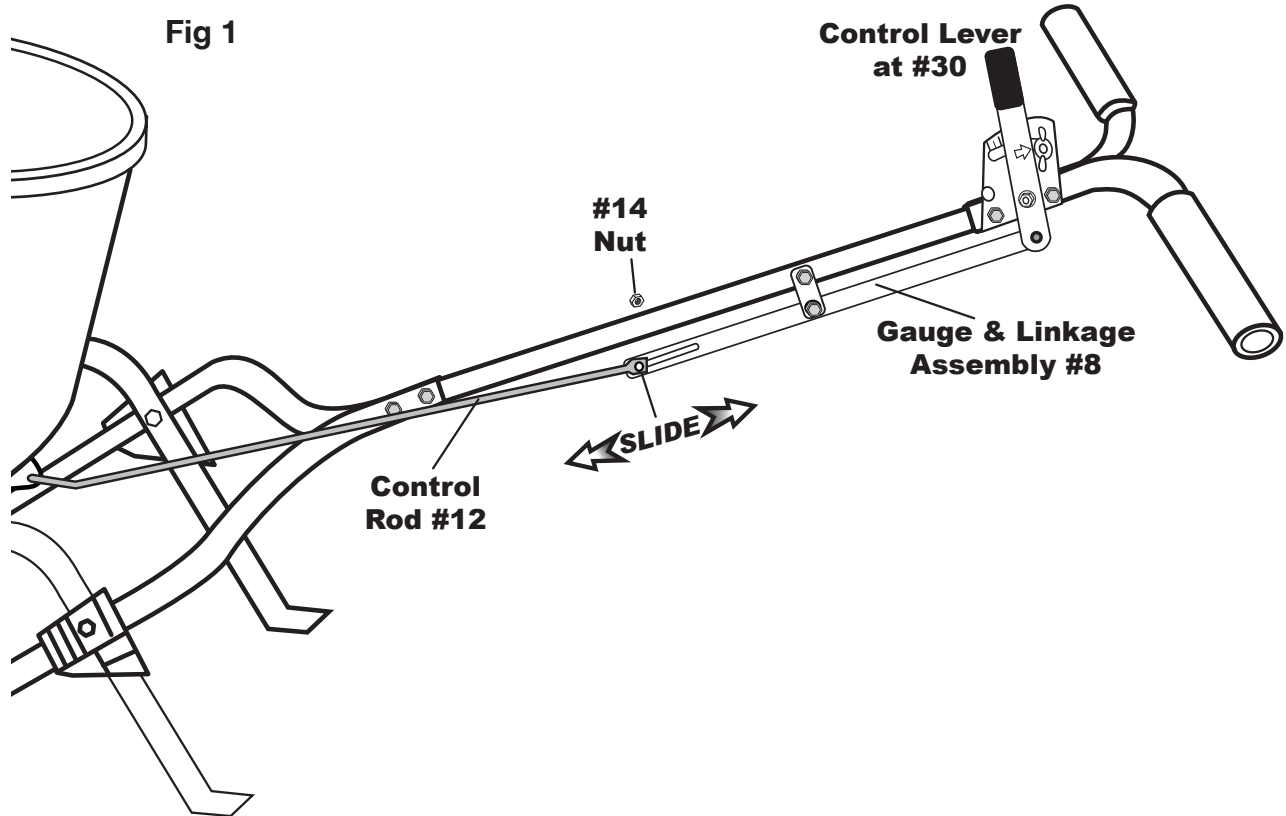
Open the shut-off so that the drop holes are completely open as illustrated below. Review the Control Lever position - if it is set so that the forward edge is at #30, you are calibrated. If not, you need to adjust the control rod at the pivot bracket shown in **Fig 1**.

If your shut-off is able to open fully as in step #1, but the Control Lever is not at #30. Loosen #14 Nut, then slide the Control Rod (#12) in the Gauge & Linkage Assembly (#8) so that it allows you to push the Control Lever to #30. Next tighten #14 Nut. Recheck adjustment as outlined above.

Drop holes shown fully open.



If you have any questions regarding the operation or assembly of your spreader please call us at 800-294-0671 or 574-848-7491 Monday - Friday 9:00am - 4:00pm Eastern. Accessories and Repair Parts are also available at these numbers.



HOW TO DETERMINE THE SETTING RATE




Establishing a Setting Rate



Step 1: Use Chart 1 to estimate the number of LBS/1,000 square feet of coverage (Example: 20LB bag with 10,000 square foot coverage = 2.0LBS/1,000 square feet)

Step 2: Find the closest LBS/1,000 square feet in Chart 2 that you estimated using Chart 1 (Example: 2.0LBS/1,000 square feet = Spreader Setting of 13)

CHART 1		BAG COVERAGE IN SQUARE FEET		
		5,000	10,000	15,000
		LBS/1,000 SQ FT		
BAG WEIGHT	5 LBS.	1.0	0.5	0.3
	10 LBS.	2.0	1.0	0.7
	15 LBS.	3.0	1.5	1.0
	18 LBS.	3.6	1.8	1.2
	20 LBS.	4.0	2.0	1.3
	25 LBS.	5.0	2.5	1.7
	30 LBS.	6.0	3.0	2.0
	35 LBS.	7.0	3.5	2.3
	40 LBS.	8.0	4.0	2.7
	45 LBS.	9.0	4.5	3.0
50 LBS.	10.0	5.0	3.3	

CHART 2		
GRAMS/SQ METER	LBS./1,000 SQ FT	SPREADER SETTING
5 Grams	1.0 LBS.	11
10 Grams	2.0 LBS.	13
15 Grams	3.0 LBS.	14
20 Grams	4.0 LBS.	16
25 Grams	5.0 LBS.	17
30 Grams	6.0 LBS.	18
35 Grams	7.0 LBS.	19
40 Grams	8.0 LBS.	20
45 Grams	9.0 LBS.	22
50 Grams	10.0 LBS.	23

SPREAD WIDTHS FOR DIFFERENT PARTICLE SIZES			
Particle Size		English	Metric
	Small/Fine (Sand)	5-7ft.	1.5-2.1m
	Medium (Half BB)	7-9ft.	2.1-2.7m
	Large (Full BB)	9-12ft.	2.7-3.7m

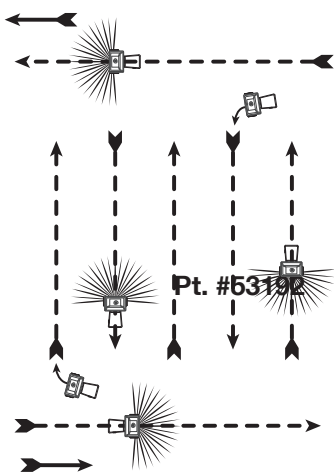
SPREAD WIDTH FOR DIFFERENT SIZE GRASS SEED			
Seed Size		English	Metric
Fine		5-7ft	1.5-2.1m
Coarse		7-10ft	2.1-3.1m

GRASS SEED		
GRAMS/SQ METER	LBS/1,000 SQ FT	SPREADER SETTING
10 Grams	2 LBS.	13
15 Grams	3 LBS.	14
20 Grams	4 LBS.	16
25 Grams	5 LBS.	17

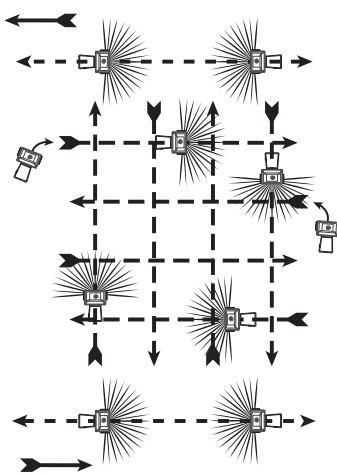
The settings furnished on the Rate Setting Matrix are intended as a guide only. Variations in physical characteristics of material applied, walking speed, and roughness of ground surface may require slightly different spreader settings. Due to the above conditions, the Manufacturer makes no warranty as to the uniformity of coverage actually obtained from the settings listed.

SPREAD PATH

FULL Rate (one pass)



HALF Rate (two passes)



SIDE SPRED-CONTROL™ Partial Pattern

