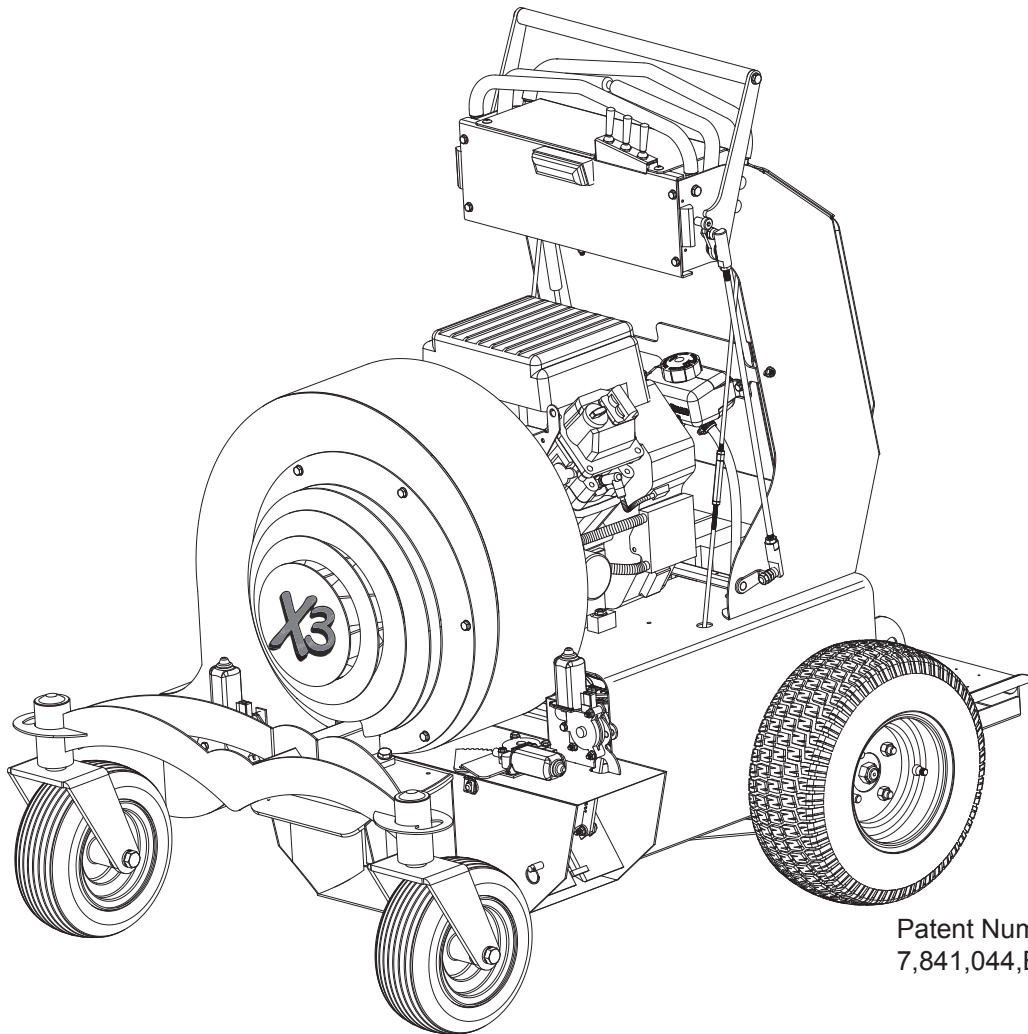




Commercial Debris Blower

Parts Manual



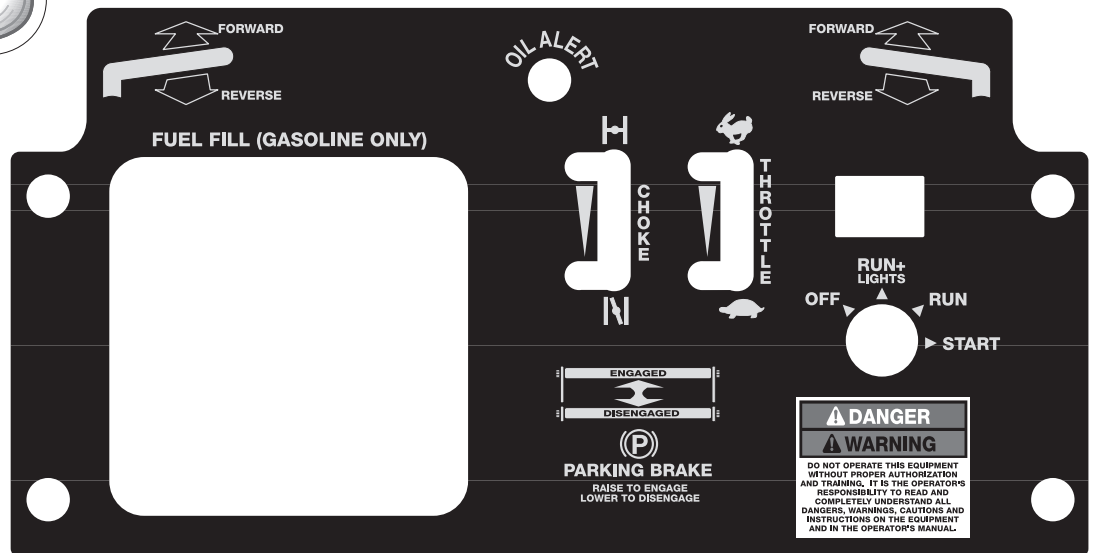
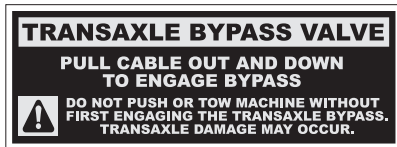
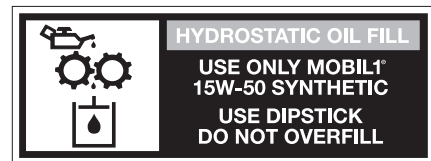
Patent Number
7,841,044,B1

DECALS

Decals

Blo-Vac

	Part Number	Description	Quantity		Part Number	Description	Quantity
1	425-4201	Front Logo Decal	1	7	425-4208	Pinch Decal	2
2	X3-4212	Data Plate	1	8	425-4209	Hydro Decal	1
3	X3-4210	Top Dash Decal	1	9	425-4206	Danger Decal	3
4	425-4205	Hot Decal	1	10	425-4204	Made in the USA Decal	1
5	425-4202	Left Logo Decal		11	425-4211	Dash Controls Decal	1
	425-4203	Right Logo Decal	2	12	314-17-42100	Trans Bypass	1
6	X3	Safety Cover Decal	1				



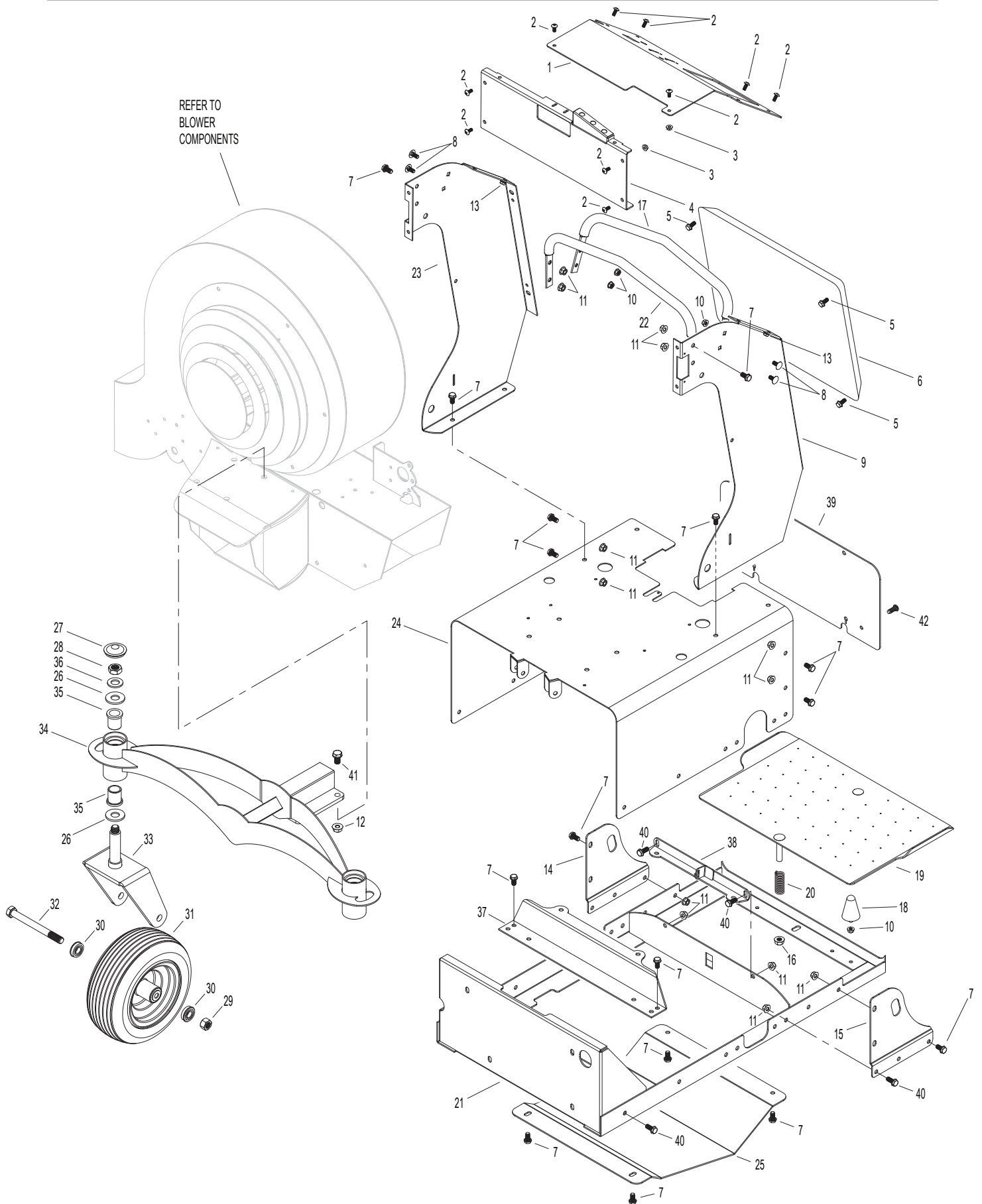
CHASSIS COMPONENTS

Chassis

Blo-Vac

Part Number	Description	Quantity	Part Number	Description	Quantity		
1	X316-2001	Dash	1	22	16-30501	Forward Stop	1
2	15102	1/4-20 x 3/4 Flange Bolt	10	23	X316-2013	Left Upright	1
3	15101	1/4-20 Flange Nut	8	24	X310-2029	Chassis Box	1
4	X310-2007	Dash Front Panel	1	25	X310-3018	Skid Plate	1
5	15108	5/16-18 x 3/4 Flange Bolt	4	26	15136	1 x 10 Gauge	4
6	112-18-1812	Pad	1			Machine Bushing	
7	15112	3/8-16 x 3/4 Flange Bolt	30	27	15161	Plastic Grease Cap	2
8	15109	5/16-18 x 3/4 Carriage Bolt	4	28	15139	3/4-10 Nylon Jamb Nut	2
9	X316-2014	Right Upright	1	29	15154	5/8-11 Nylock Nut	2
10	15107	5/16-18 Flange Nut	6	30	109-17-7011	Caster Bearings	4
11	15111	3/8-16 Flange Nut	36	31	109-17-7012	Caster Wheel & Tire	2
12	15046	1/2-13 Flange Nut	4	32	15153	Bolt 5/8-11 x 6-1/2	2
13	15061	1/4-20 Riv-Nut	2	33	109-10-2010	Caster Fork	2
14	X310-2006	Right Side Plate Tie Down	1	34	X310-2001	Front End Frame Assembly	1
15	X310-2018	Left Side Plate Tie Down	1	35	0117-162024	Plastic Bushing	4
16	15056	1/2-13 Nylock Jamb Nut	2	36	15137	3/4 Machine Bushing	2
17	16-30502	Reverse Stop	1	37	X310-2031	Front Hydro Bracket	1
18	425-16-11100	Rubber Mount	6	38	X310-2032	Rear Hydro Bracket	1
19	X310-2011	Foot Pad	1	39	X310-2033	Toe Kick	1
20	15042	Spring Front	1	40	15062	3/8-16 x 1 Flange Bolt	6
21	X316-2030	Chassis Frame	1	41	15064	1/2-13 x 1-1/4 Flange Bolt	4
				42	15169	5/16-18 x 3/4 Self	2
						Tapping Screw	

CHASSIS COMPONENTS



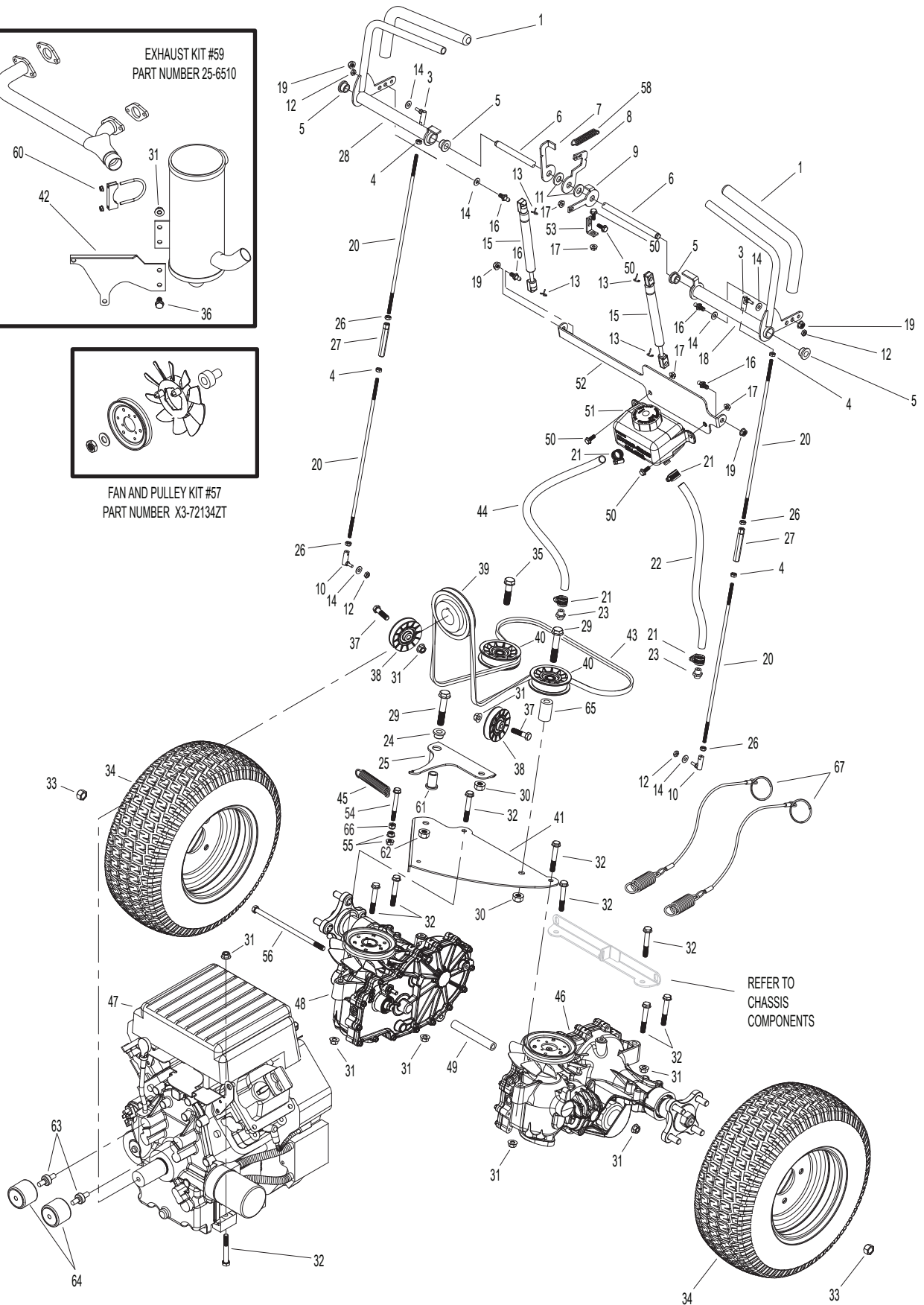
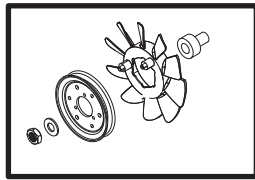
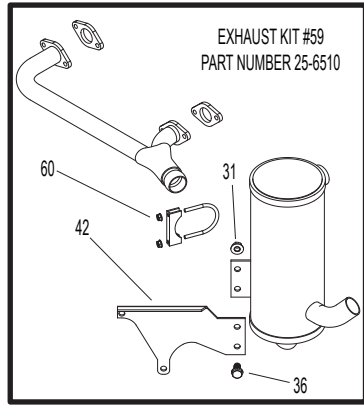
HYDROSTATIC COMPONENTS

Hydro

Blo-Vac

Part Number	Description	Quantity	Part Number	Description	Quantity		
1	139529	Control Grip	2	34	113-17-7012	18 x 8.5 x 8 Turf Saver	2
2	15082	5/16-24 Lock Washer	3	35	15149	1/2-13 x 2-1/4 Flange Bolt	1
3	X3-516-4633	5/16-24 Right Hand 90 Knuckle	2	36	15112	3/8-16 x 3/4 Flange Bolt	2
4	15059	5/16-24 Right Hand Nut	4	37	15122	3/8-16 x 1-3/4 Hex Bolt	6
5	0117-081208	1/2 Plastic Bushing	4	38	17-4103	Mule Drive Pulley	2
6	425-1021-46612	1/2 Control Support Rod	1	39	118X327	Drive Pulley	1
7	114-10-3001	Neutral Safety Switch Stop	1	40	17-4101	Plastic Idler Pulley	2
8	114-10-3002	Neutral Safety Switch Bracket	1	41	X310-2035	Idler Mount Plate	1
9	114-10-3003	Neutral Centering Bracket	1	42	25-6512	Muffler Mount	1
10	X3-516-4627	5/16-24 Left Hand 90 Knuckle	2	43	X3-A7125	Drive Belt (Subaru)	1
11	0117-1208	1/2 Plastic Washer	2		X3-A7227	Drive Belt (Kohler)	1
12	15057	5/16-24 Nylock Nut	4	44	X3-1226	Left Hydro Hose	1
13	103-17-4431	Dampener Clip	4	45	15126	#317 Extension Spring	1
14	15082	5/16 Lock Washer	2	46	3A7C-1XXXX	Left Hydro Pump	1
15	425-103-174430	Dampener	2	47	107-17-2225	24 HP Subaru Engine	1
16	103-17-4429	Ball Stud	4		107-17-2227	27 HP Kohler Engine	1
17	15101	1/4-20 Flange Nut	4	48	3A7B-1XXXX	(Includes Muffler) Right Hydro Pump	1
18	102-10-2010	Left Control Handle	1	49	X310-2036	Hydro Spacer Tube	1
19	15107	5/16-18 Flange Nut	4	50	15102	1/4-20 x 3/4 Flange Bolt	4
20	X3-516-1550	5/16-15 Linkage Rod	4	51	71354	Hydro Tank	1
21	15083	Oetiker Clamp	4	52	114-10-3008	Hydro Tank Bracket	1
22	X3-1224	Right Hydro Hose	1	53	114-10-3009	Neutral Switch L-Bracket	1
23	HU002	Hydro Fitting	2	54	15040	5/16-18 x 2-3/4 Flange Bolt	1
24	0117-081208	Plastic Bushing	1	55	15107	5/16 Flange Nut	2
25	X310-2034	Idler Arm	1	56	15041	3/8-16 x 8-1/2 Hex Bolt	1
26	15058	5/16-24 Left Hand Nut	2	57	X3-72134ZT	Fan Pulley Kit	2
27	X3-516-4635	5/16-24 x 3 Turnbuckle	2	58	15128	#29 Extension Spring	1
28	102-10-2011	Right Control Handle	1	59	25-6510	Exhaust Kit	1
29	15141	1/2-13 x 3-1/2 Hex Bolt	2	60	25-6511	1-1/4 Muffler Clamp	1
30	15046	1/2-13 Flange Nut	2	61	0117-081216	Plastic Bushing	1
31	15111	3/8-16 Flange Nut	13	62	15073	1/2-13 Nylock Nut	1
32	15087	3/8-16 x 2-1/2 Flange Bolt	12	63	HU004	3/8 x 7/16 Washer Stud	2
33	15088	1/2-20 Lug Nut	8	64	X3-16-11100	1/2 x 5/8 Rubber Bushing	2
				65	15044	1/2 x 1-1/4 Spacer	1
				66	15168	5/16-18 Nylock Lock Nut	1
				67	X3-15-15152	Neutral Release Cable	2

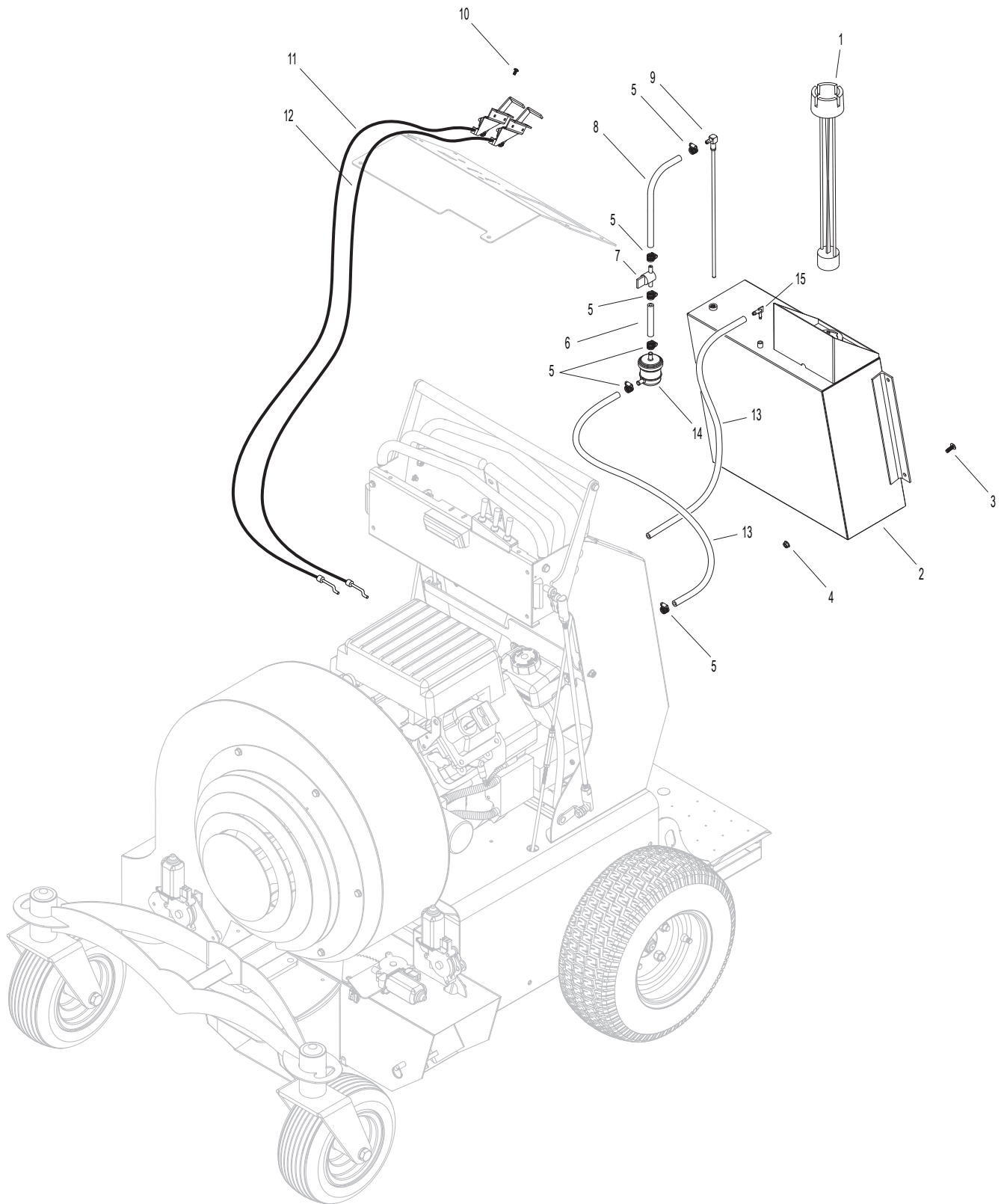
HYDROSTATIC COMPONENTS



FUEL AND THROTTLE COMPONENTS

	Part Number	Description	Quantity		Part Number	Description	Quantity
1	1101-73601	Fuel Cap W/Gauge	1	9	1101-73811	Fuel Pickup	1
2	1101-02002	Fuel Tank	1	10	15090	10-32 BT Hex Screw	4
3	15091	1/4-20 x 3/4 FPHMS	4	11	425-1041-76010	Throttle Cable	1
4	15101	1/4-20 Flange Nut	4	12	425-1041-76010	Choke Cable	1
5	425-12-1414	Spring Hose Clamp	6	13	425-12-14280	Fuel Line 1/4 x 28	2
6	425-12-14350	Fuel Line 1/4 x 3.5	1	14	110-17-5403	Fuel Filter	1
7	1101-73805	Ball Valve Fuel Shutoff	1	15	X3-TL522	Plastic Elbow	1
8	425-12-14650	Fuel Line 1/4 x 6.5	1				

FUEL AND THROTTLE COMPONENTS



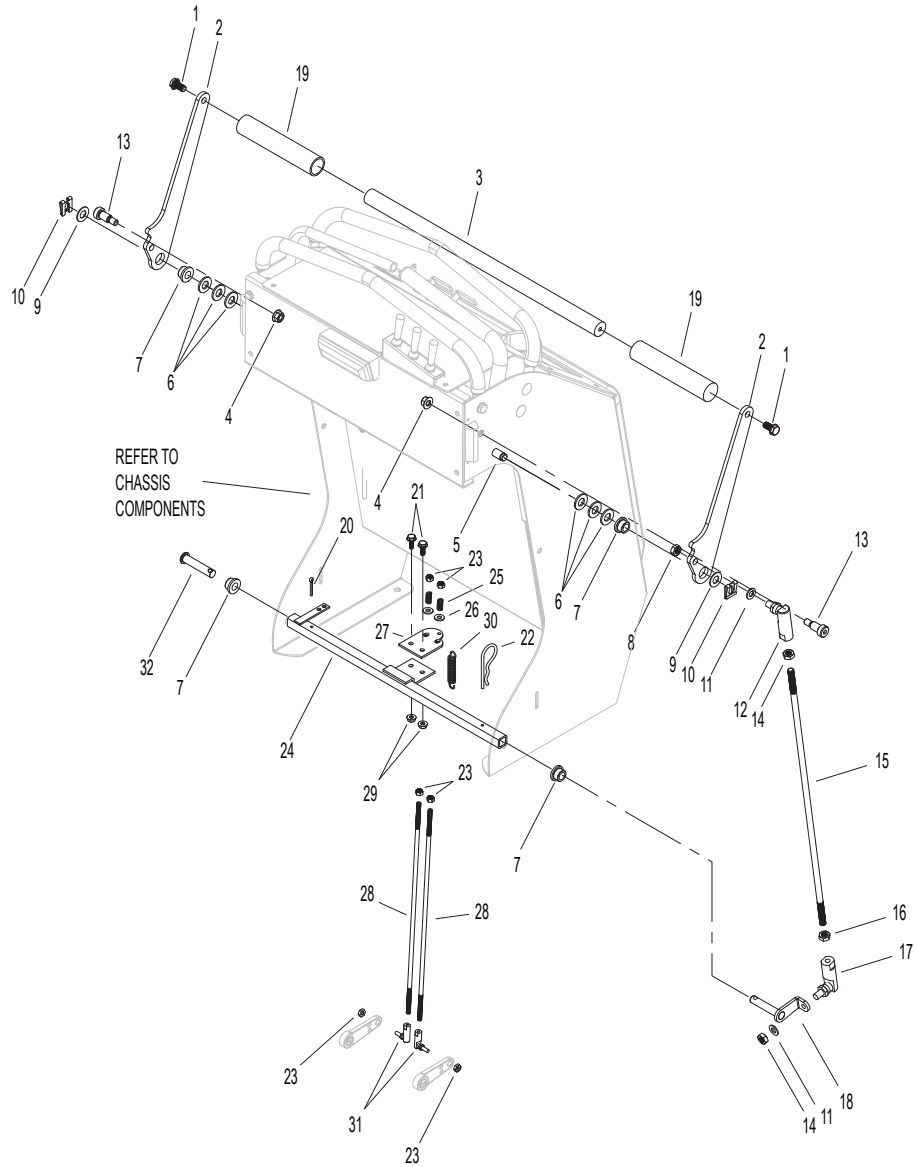
BRAKE ASSEMBLIES

Brakes

Blo-Vac

Part Number	Description	Quantity	Part Number	Description	Quantity		
1	15112	3/8-16 x 3/4 Flange Bolt	2	18	X310-2050	Brake Z-Bend Pin	1
2	102-16-2003	Brake Arm	2	19	6422	Brake Bar Grip	2
3	425-1091-2007	Brake Handle	1	20	15162	1/8 Cotter Pin	1
4	15111	3/8-16 Flange Nut	2	21	15102	1/4-20 x 3/4 Flange Bolt	2
5	425-1021-46612	1/2 Control Support Rod	1	22	15089	1/8 R-Key	1
6	15124	1/2" SAE Washer	6	23	15140	1/4-28 Nylock Nut	6
7	0117-081208	1/2 Plastic Bushing	4	24	X310-2038	Lower Brake Bar	1
8	15074	3/8"-24 Jam Nut	1	25	15079	Compression Spring	2
9	15075	3/4 Thru-Hard Washer	2	26	15164	#12 Flat Washer	2
10	101-17-6427	Safety Clip	2	27	114-10-3012	Lower Brake Plate	1
11	15071	3/8" Lock Washer	2	28	X3-1428-1750	1/4-28 x 17.5 Linkage Rod	2
12	102-17-4633	Ball Joint RH 3/8"	1	29	15101	1/4-20 Flange Nut	2
13	15076	1/2 x 3/4" Shoulder Bolt	2	30	15127	#77 Extension Spring	1
14	15077	3/8-24 Nut	2	31	106-17-4637	LH 1/4-28 90° Knuckle	2
15	X3-3824-2150	3/8-24 Linkage Rod	1	32	15060	1/2 x 2-1/2 Clevis Pin	1
16	15078	3/8-24 Left Hand Nut	1				
17	102-17-4627	Ball Joint LH 3/8"	1				

BRAKE ASSEMBLIES



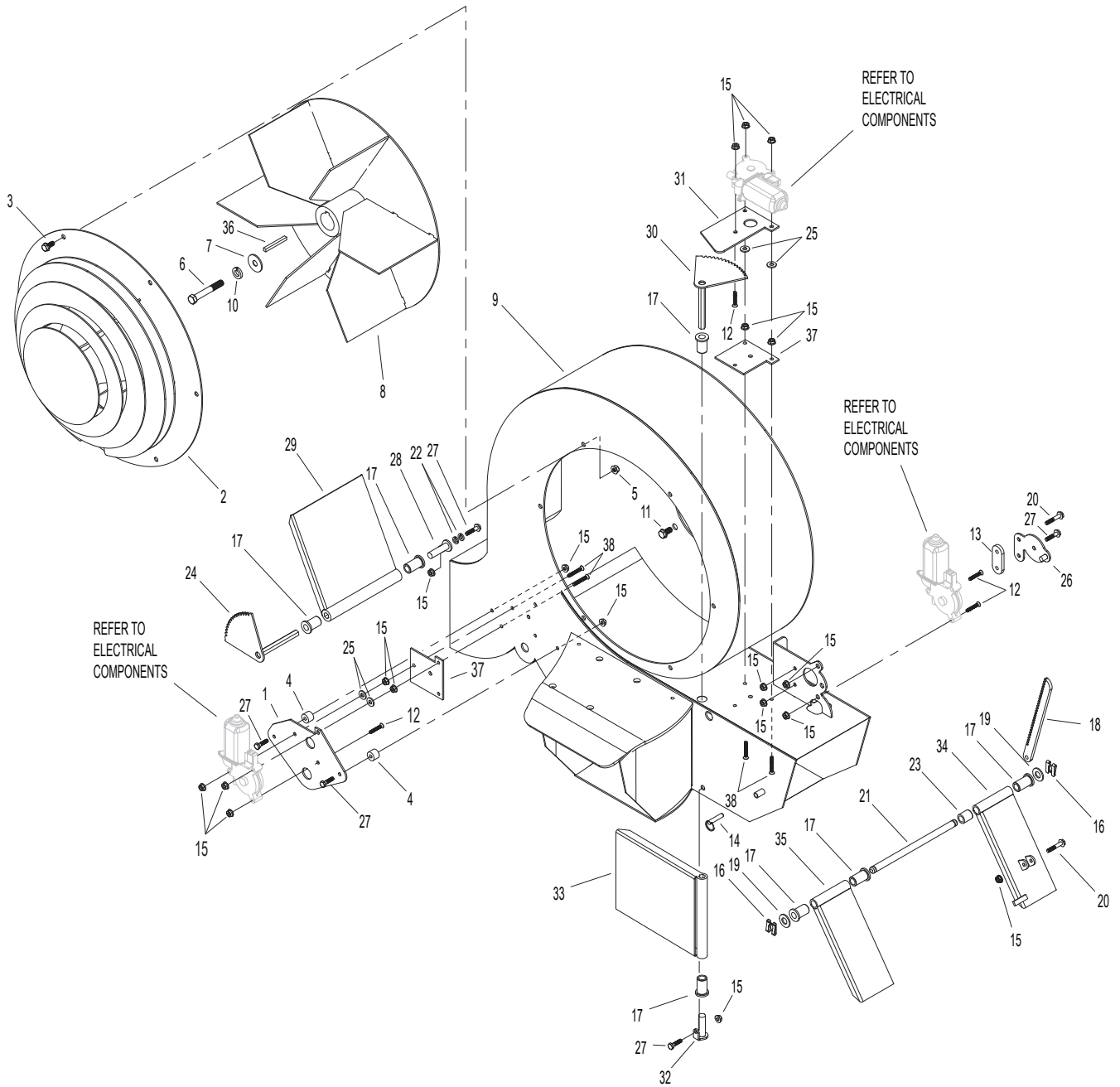
BLOWER COMPONENTS

Blower

Blo-Vac

Blower			Blo-Vac				
Part Number	Description	Quantity	Part Number	Description	Quantity		
1	X310-2024	Right Deflector Cover Plate	1	19	15124	1/2 SAE Washer	2
2	X310-2049	Safety Cover	1	20	15103	1/4-20 x 1-1/2 Flange Bolt	2
3	15108	5/16-18 x 3/4 Flange Bolt	6	21	425-1011-46622	Deflector Support Rod	1
4	X310-2036	Spacer	2	22	15080	1/4" Lock Washer	2
5	15107	5/16-18 Flange Nut	6	23	0117-081216C	1/2 Plastic Sleeve	1
6	15092	7/16-20 x 2-3/4 Hex Bolt	1	24	X310-2039	Right Deflector Gear	1
7	425-1091-2009	7/16 - Impeller Washer	1	25	15164	#12 Flat Washer	4
8	X310-2037	Impeller (Subaru)	1	26	101-10-2028	Rack Keeper	1
	X310-203727	Impeller (Kohler)	1	27	15102	1/4-20 x 3/4 Flange Bolt	5
9	X310-2051	Blower Housing (Subaru)	1	28	X310-2040	Right Deflector Pin	1
	X310-205127	Blower Housing (Kohler)	1	29	X310-2041	Right Deflector	1
10	15098	7/16 Lock Washer	1	30	X310-2042	Forward Deflector Gear	1
11	15112	3/8-16 x 3/4 Flange Bolt	2	31	X310-2043	Forward Deflector	1
12	15104	1/4-20 x 1-1/4 Phillips	4			Motor Mount	
		Head Screw		32	X310-2044	Forward Deflector Pin	1
13	101-16-2029	Rack Spacer	1	33	X310-2045	Forward Deflector	1
14	15158	Deflector Lock Pin	1	34	X310-2046	Left Power Deflector	1
15	15101	1/4-20 Flange Nut	19	35	X310-2047	Left Slave Deflector	1
16	101-17-6427	Safety Clip	2	36	15051	Key Stock	1
17	0117-081216	1/2 Plastic Bushing	7	37	X310-2052	Deflector Spacer Plate	2
18	101-16-1821	Deflector Rack	1	38	2-15165	1/4-20 x 1-5/8	4
						Phillips Head Screw	

BLOWER COMPONENTS



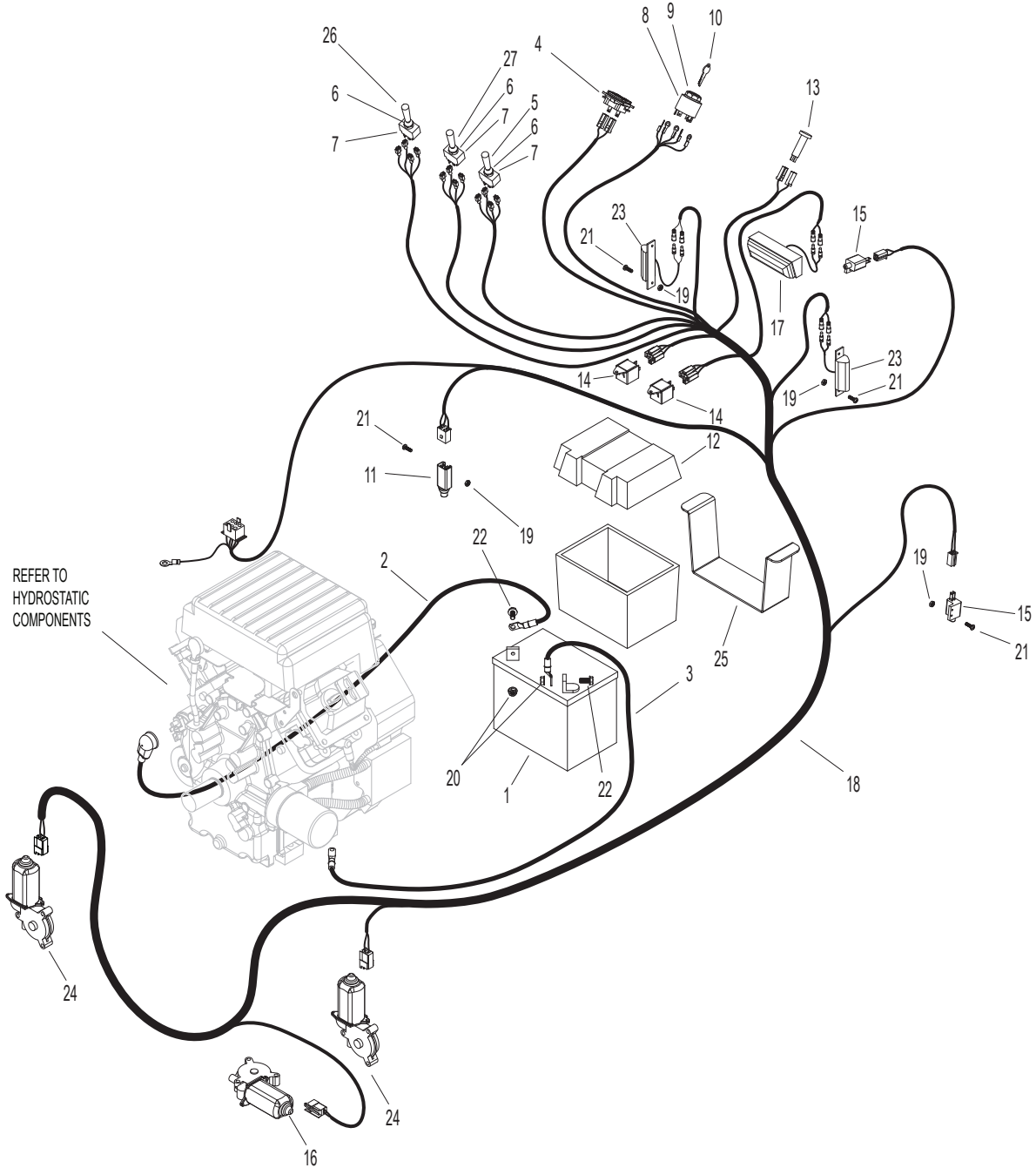
ELECTRICAL COMPONENTS

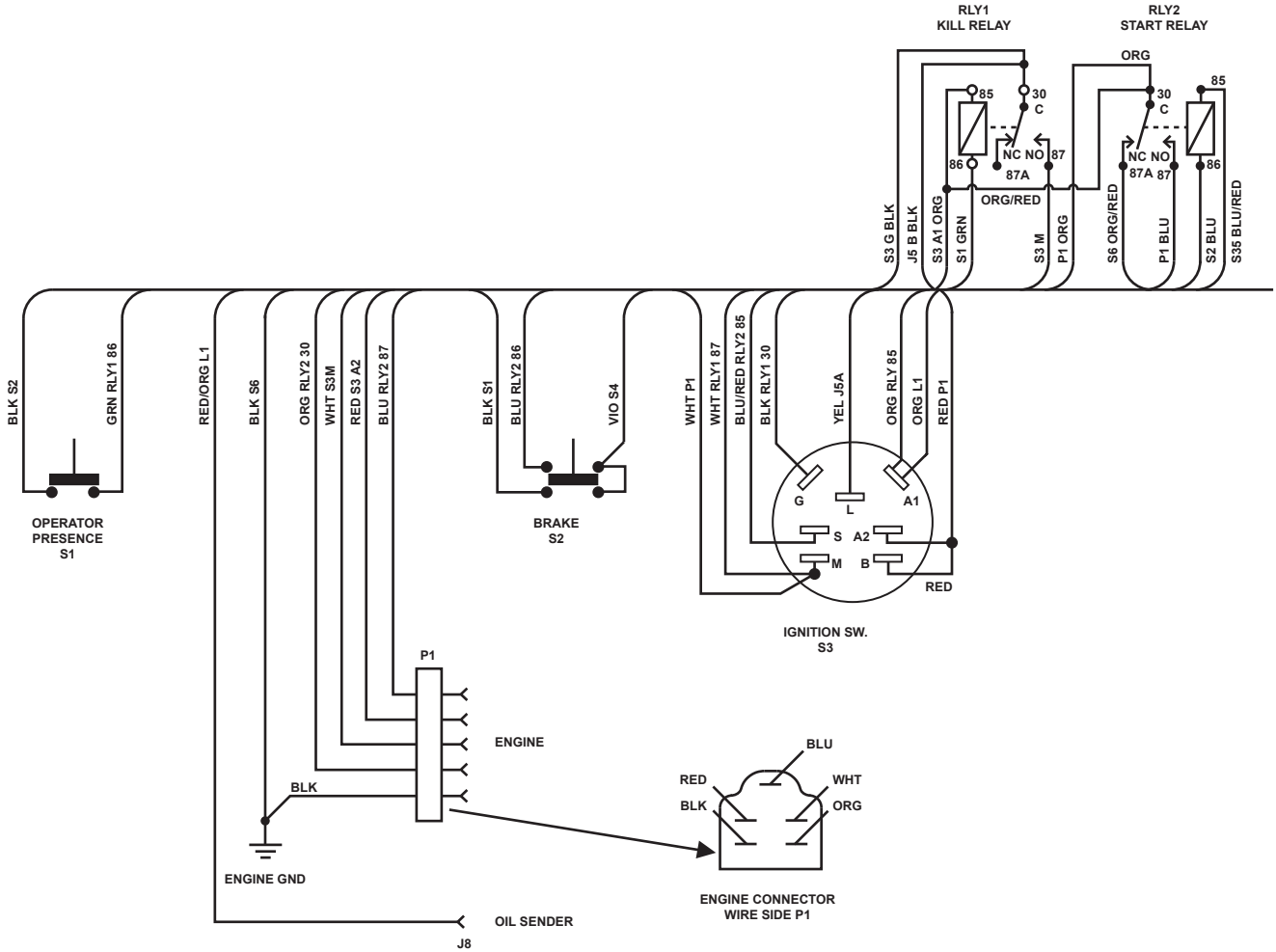
Electrical

Blo-Vac

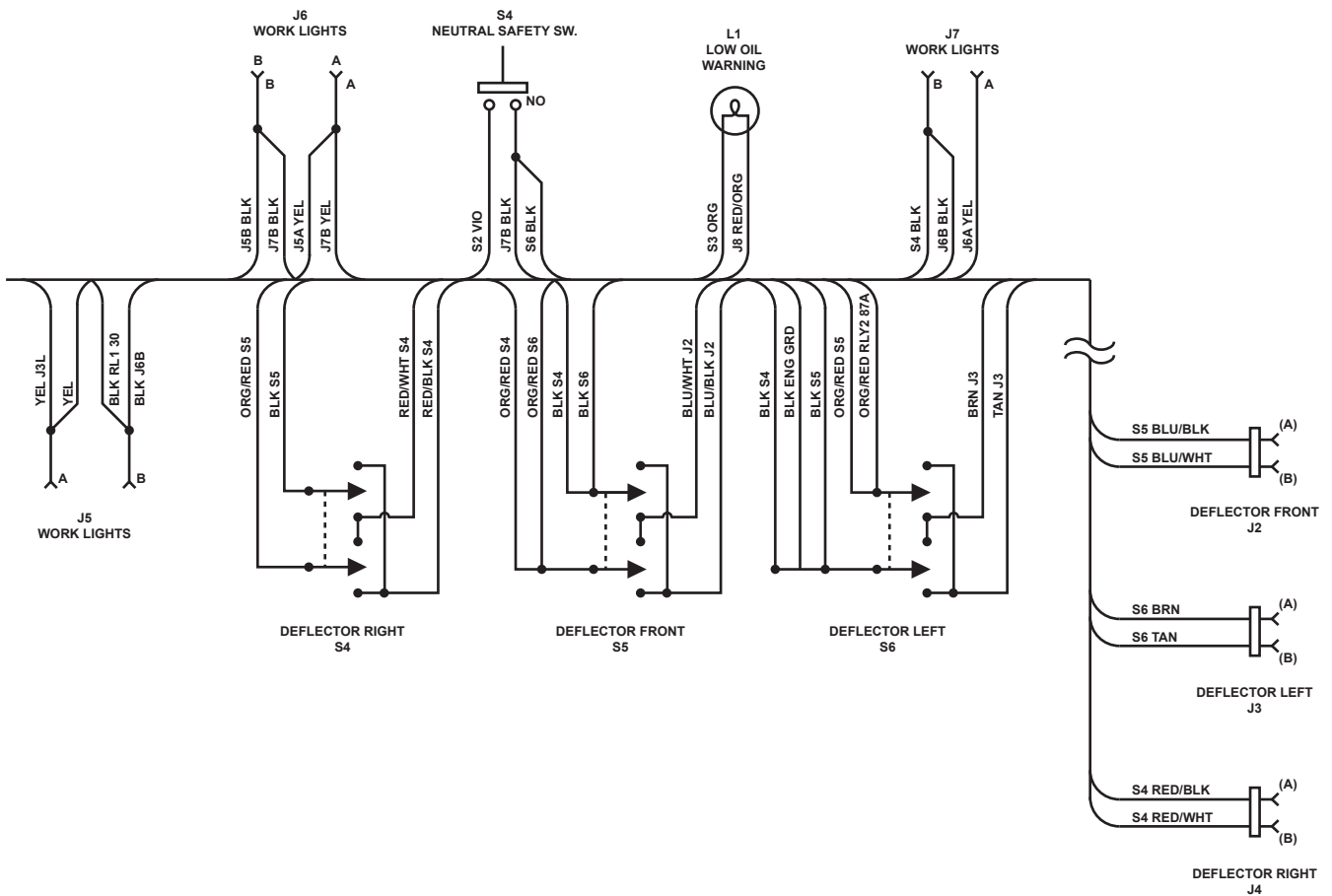
Part Number	Description	Quantity	Part Number	Description	Quantity		
1	106-17-4001	U1 Battery	1	14	106-17-2817	Relay	2
2	X3-18-1802	Positive Battery Cable	1	15	106-17-5618	Safety Switch 1P	2
3	X3-18-1803	Negative Battery Cable	1	16	101-18-1802	Deflector Motor Left	1
4	104-17-5205	Tach	1	17	X3-84422	Headlight	1
	106-18-1804	Tach Harness	1	18	X3-18-1882	Main Wiring Harness	1
5	106-17-3005	Switch Extension (Red)	1	19	15106	10-32 Keps Nut	8
6	106-17-2806	Switch Seal	3	20	15107	5/16-18 Flange Nut	2
7	106-17-3007	Reversing Switch	3	21	15105	10-32 Machine Screw	8
8	104-17-5606	Ignition Switch	1	22	15108	5/16-18 x 3/4 Flange Bolt	2
9	104-17-5607	Ignition Switch Nut	1	23	X3-630	Side Headlight	2
10	104-17-5608	Ignition Switch Key	1	24	314-0618-255R	Deflector Motor Right	2
11	101-17-5612	Safety Switch 2P	1	25	X310-2039	Battery Support	1
12	106-17-4012	Battery Box With Strap	1	26	18273	Switch Extension (Black)	1
13	104-17-2805	Warning Light	1	27	18272	Switch Extension (Yellow)	1

ELECTRICAL COMPONENTS





ELECTRICAL SCHEMATIC



Muskegon, MI