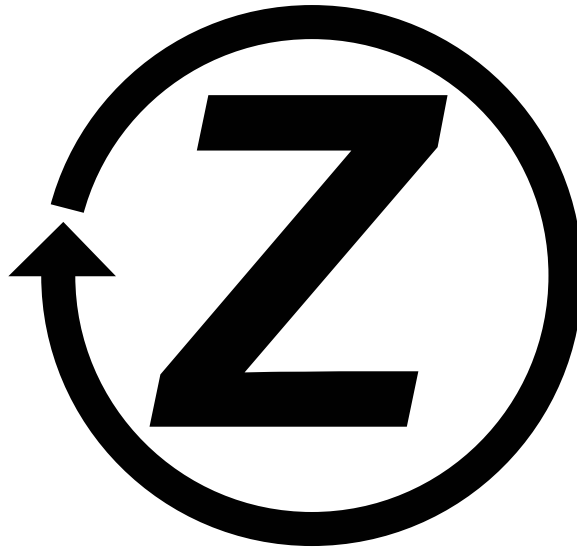


Parts Catalog

Z-SPRAY

Model No. ZS4230XL—Serial No. 404314159 and Up



Ordering Replacement Parts

To order replacement parts, please supply the part number, the quantity, and the description of each part desired.

Understanding Reference Numbers

Each identified part in an illustration has a reference number. The reference number for a part also appears in the parts list, along with other information about the part.

This catalog uses two special reference number formats, one to indicate parts in a service assembly and another to indicate the quantity of a given part in an illustration.

Service Assembly Reference Numbers

Parts in service assemblies have reference numbers in the form a:b. The a represents the reference number of the entire service assembly and the b represents a sequential number unique to each part within the service assembly.

For example, a wheel assembly might be identified by reference number 6, the tire by 6:1, the valve by 6:2, and the wheel by 6:3. When you order the assembly identified by reference number 6, you receive all parts identified by reference numbers 6:1, 6:2, and 6:3. However, you may also order any part individually. Reference numbers of this type appear in illustration and in parts lists.

Reference Numbers Indicating Quantity

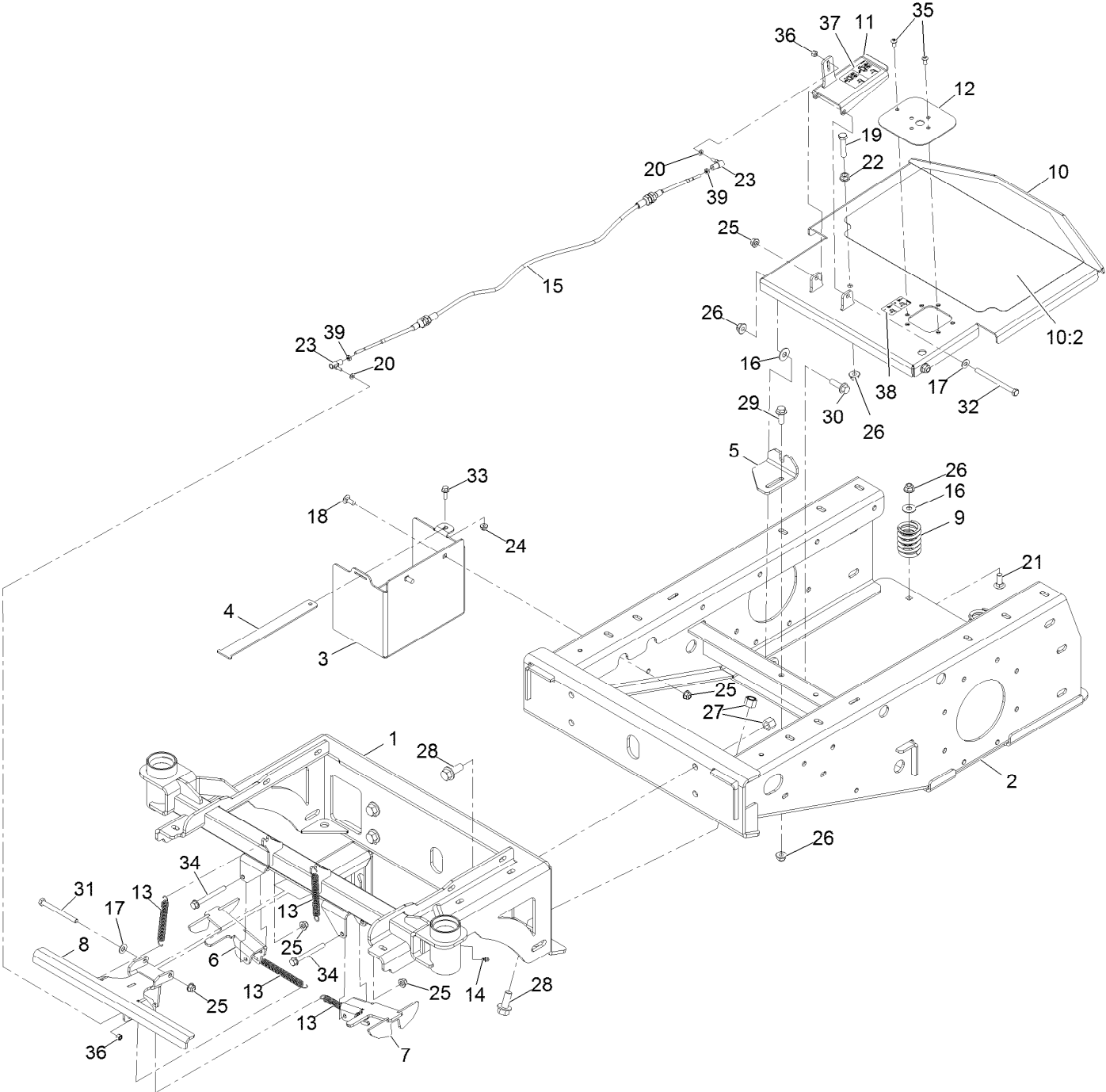
In an illustration, if a reference number indicates more than one part, the reference number has the form nX y. The n represents the quantity of the part, the X is the multiplication symbol, and the y represents the reference number.

For example, in an illustration, the reference number 2X 37 means that two of the parts identified by reference number 37 are indicated.

Contents

Main Frame Assembly	4
Motion Control Assembly	6
Park Brake Assembly	8
Tire and Wheel Assembly	10
Spray System Assembly	12
Hose Reel Tank Assembly	14
Manifold Assembly	16
Boom Assembly	18
Liquid Valve Assembly	20
Hopper Assembly	22
Fuel Assembly	24
Engine Assembly	26
Hydraulic Assembly	28
Electrical Assembly	30

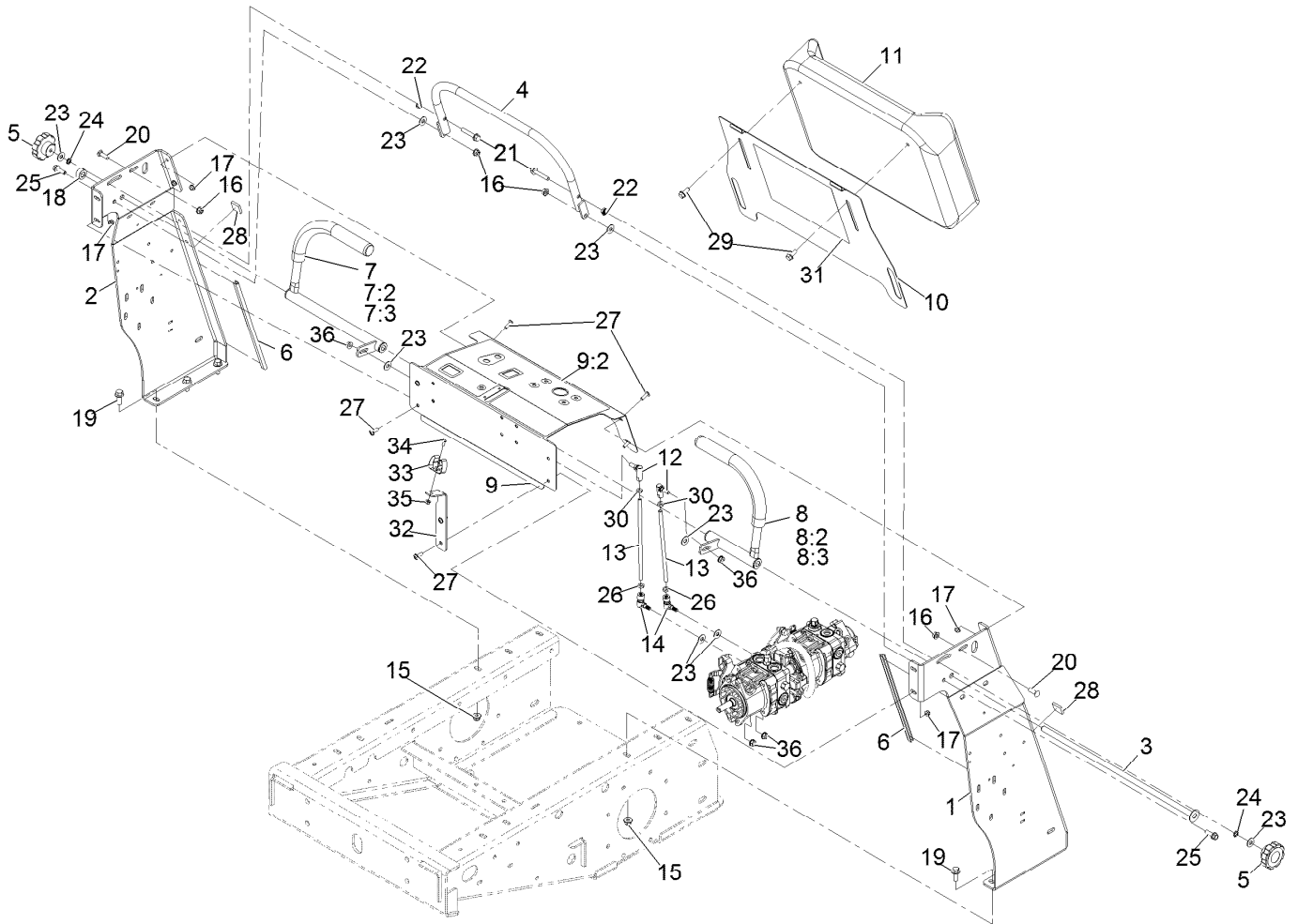
Main Frame Assembly



Main Frame Assembly (continued)

<i>Ref.</i>	<i>Part Number</i>	<i>Qty.</i>	<i>Description</i>	<i>Ref.</i>	<i>Part Number</i>	<i>Qty.</i>	<i>Description</i>
1	135-5179	1	Frame-Front	22	135-6806	1	Nut-Hex Flange
2	135-5171	1	Frame-Rear	23	135-5682	2	Ball Joint-SS
3	135-5199	1	Box-Battery	24	135-6108	1	Nut-Hex Flange
4	135-5493	1	Strap-Battery	25	135-6109	6	Nut-Hex Flange
5	135-5494	1	Bracket, Lower Cable	26	135-6110	7	Nut-Hex Flange
6	135-5195	1	Wing-Capture, Rt	27	HDW14426	6	Nut,1/2-13,NYL INS,ST/ST,18-8
7	135-5194	1	Wing-Capture, Lt				
8	135-5369	1	Capture-Lcs	28	135-6207	6	Screw-HHF
9	135-5654	3	Spring-Compression	29	135-6208	1	Screw-HHF
10	135-5656	1	Plate-Foot	30	135-6211	2	Screw-HHF
10:2	135-5655	1	Pad-Grip	31	135-6217	1	Screw-HH
11	135-5191	1	Pedal-Foot	32	135-6218	1	Screw-HH
12	135-5561	1	Panel, Foot Switch	33	135-6221	1	Screw-HHF
13	135-5652	4	Spring-Extension	34	135-6222	2	Screw-HHF
14	302-63	2	Fitting-Grease, Zerk	35	135-6367	2	Screw-HSBH
15	135-5644	1	Cable-Caster, Locking	36	HDW05856	2	Nut,NYL Lock,#10-32,ST/ST 18-8
16	1126	5	Washer-Flat				
17	107-0279	2	Washer	37	135-6430	1	Decal-Lock, Caster
18	126-0695	2	Screw-CARR	38	135-6728	1	Decal-Spray Foot Button
19	126-0710	1	Screw-HH	39	520-0019	2	Nut,Hex Jam Mch Scr,10-32,Sst
20	126-0759	2	Washer-Flat				
21	126-0980	3	Screw-CARR				

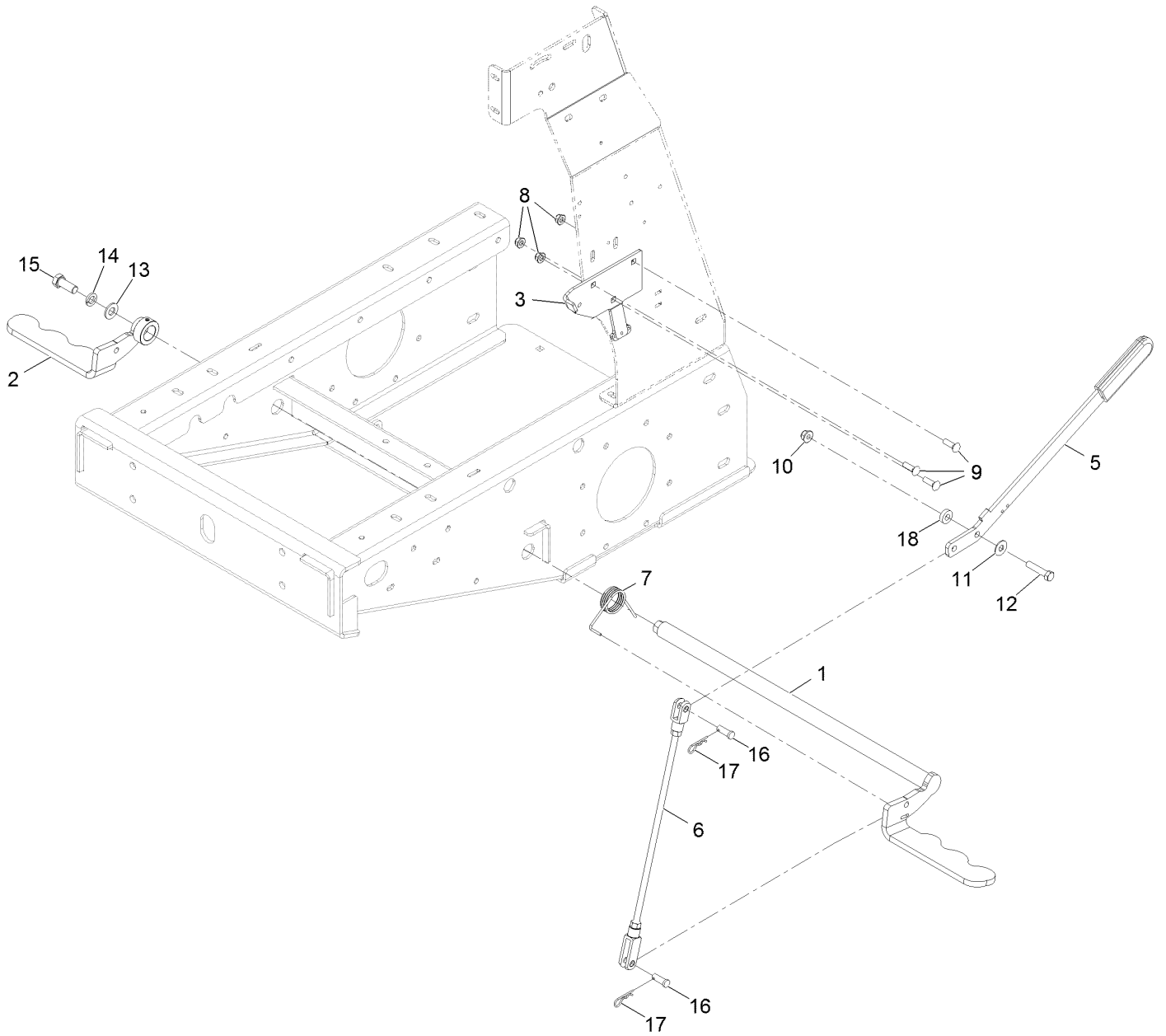
Motion Control Assembly



Motion Control Assembly (continued)

<i>Ref.</i>	<i>Part Number</i>	<i>Qty.</i>	<i>Description</i>	<i>Ref.</i>	<i>Part Number</i>	<i>Qty.</i>	<i>Description</i>
1	135-5423	1	Upright-Tower, Lt	18	135-6192	1	Collar
2	135-5425	1	Upright-Tower, Rt	19	135-6208	6	Screw-HHF
3	135-5430	1	Rod-Pivot, Joy Stick	20	HDW17294	2	Bolt, Carriage, 5/16-18X1, ST/ST 18-8
4	135-5427	1	Bar-Speed	21	135-5779	2	Screw-HHF
5	135-5689	2	Knob-Fluted	22	118-1722	2	Nut, Hex Flange, 5/16-18, Sst, Rie2006
6	135-5336	2	Strip-Trim, 12.0"	23	HDW14535	8	Flat Washer, 5/16 Nom, ST/ST, 18-8
7	135-5738	1	Stick-Joy, Rt	24	135-6286	2	Washer-Lock
7:2	1-633257	1	Grip-Control, Motion	25	135-6272	2	Screw-HHF
7:3	135-5694	2	Bushing-Flange	26	107-0282	2	Nut-Hex
8	135-5739	1	Stick-Joy, Lt	27	135-7080	8	Screw-Hsbhf
8:2	1-633257	1	Grip-Control, Motion	28	93-9155	2	Velcro
8:3	135-5694	2	Bushing-Flange	29	126-2712	2	Screw-HHF 5/16-18 X 3/4 SS
9	135-6123	1	Panel-Control	30	135-6512	2	Nut-Hex
9:2	135-6223	1	Decal-Control Panel	31	135-6281	1	Decal-Spray Chart
10	135-5498	1	Plate, Knee Pad	32	135-5506	1	Mount-Gun
11	135-5334	1	Pad-Knee, Z-Spray/Z-Plug	33	135-5661	1	Holder-Tool, Clip
12	135-5257	2	Balljoint-SS	34	135-6374	1	Screw-HSBH
13	135-5681	2	Rod-Control, Motion	35	135-6342	1	Nut-Hex Flange
14	135-5718	2	Ball Joint-Quick Disconnect, SS	36	107-0380	4	Nut-HHF
15	135-6110	6	Nut-Hex Flange				
16	135-6109	4	Nut-Hex Flange				
17	135-6108	8	Nut-Hex Flange				

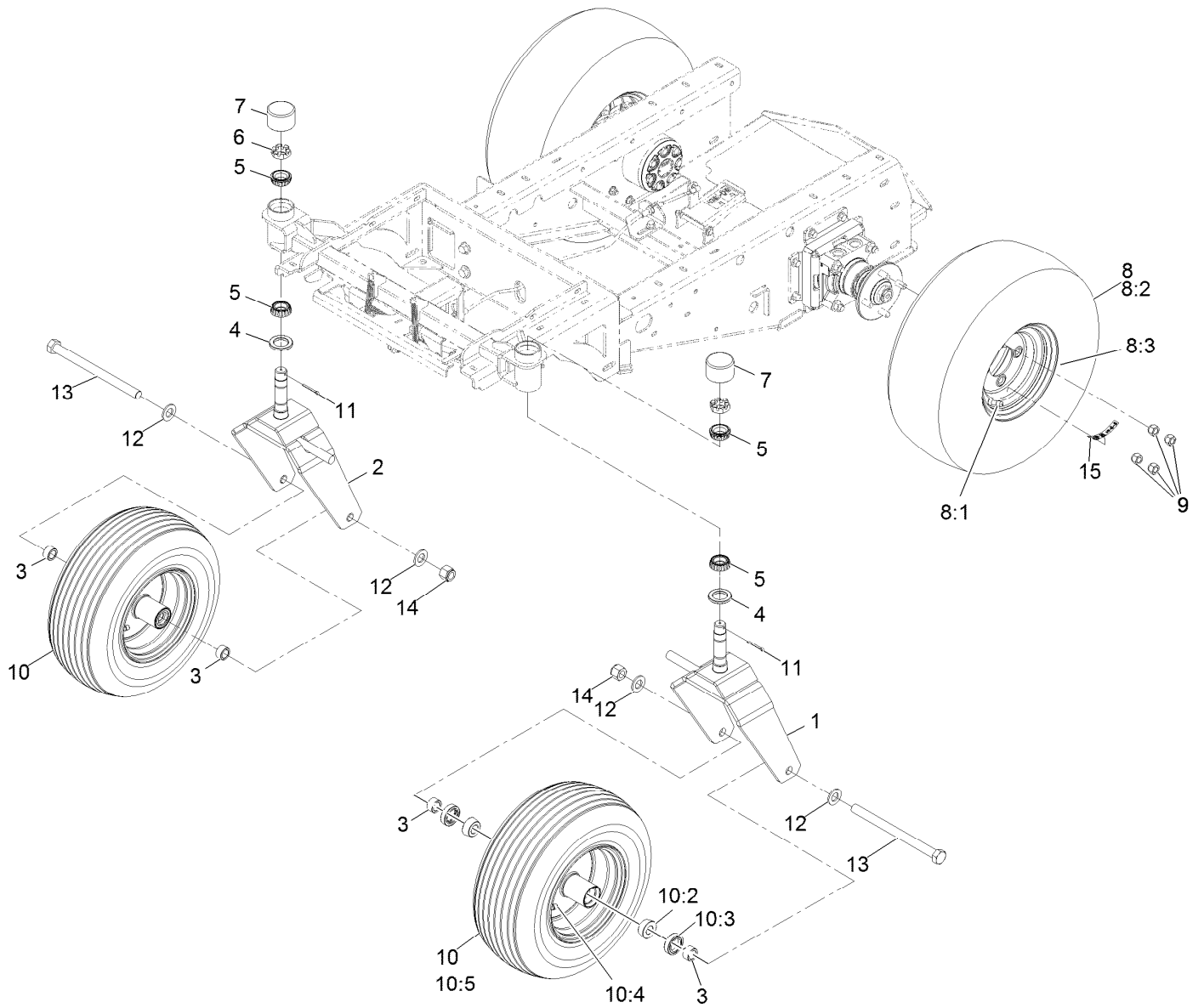
Park Brake Assembly



Park Brake Assembly (continued)

<i>Ref.</i>	<i>Part Number</i>	<i>Qty.</i>	<i>Description</i>	<i>Ref.</i>	<i>Part Number</i>	<i>Qty.</i>	<i>Description</i>
1	135-5526-03	1	Arm-Brake, Lt [black]	11	1126	1	Washer-Flat
2	135-5529-03	1	Arm-Brake, Rt [black]	12	323-52	1	Screw-HH
3	135-7225	1	Bracket-Handle, Brake	13	3256-26	1	Washer-Flat
5	135-6058	1	Handle-Brake	14	3253-7	1	Washer-Lock
6	135-6066	1	ASM, Rod-Brake	15	106-0378	1	Screw (.50-20Unfx1.25 Grade 8]
7	135-6106	1	Spring-Torsion	16	1-808284	2	Pin-Clevis
8	135-6109	3	Nut-Hex Flange	17	135-6284	2	Pin-Hair
9	HDW17294	3	Bolt, Carriage, 5/16-18X1, ST/ST 18-8	18	5-0652	1	Spacer
10	104-8301	1	Nut-HF, NI				

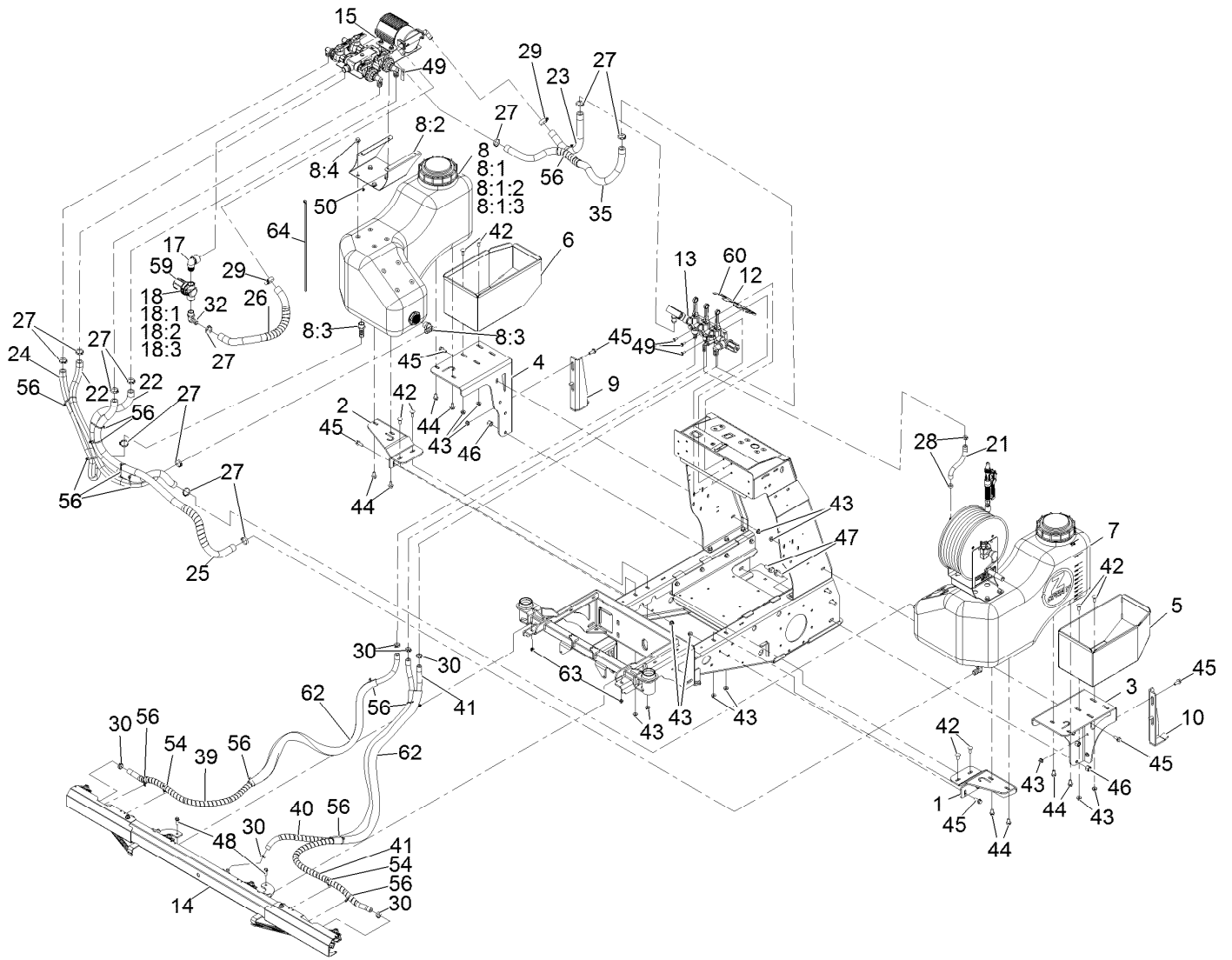
Tire and Wheel Assembly



Tire and Wheel Assembly (continued)

<i>Ref.</i>	<i>Part Number</i>	<i>Qty.</i>	<i>Description</i>	<i>Ref.</i>	<i>Part Number</i>	<i>Qty.</i>	<i>Description</i>
1	135-5441-03	1	Caster-Lt [black]	10	135-5974	2	Wheel And Tire
2	135-5446-03	1	Caster-Rt [black]	10:2	1-633585	2	Bearing-Cone Tapered Roller
3	135-5683	4	Spacer-Axle	10:3	103-0063	2	Seal-Double Lip
4	1-543511	2	Seal-Grease	10:4	5108	1	Valve
5	254-92	4	Cone-Bearing, Outer	10:5	135-5976	1	Tire-Rib
6	1-809082	2	Nut-SHH	11	135-6292	2	Pin-Cotter
7	135-5756	2	Cap-Dust, Rubber	12	3256-28	4	Washer-3/4 SAE
8	135-5970	2	Wheel And Tire ASM	13	135-6300	2	Screw-HH
8:1	135-5971	1	Rim-8 X 5.38, Black	14	3296-51	2	Nut-Nyloc 3/4-10
8:2	135-5972	1	Tire- 20 X 8 4 Ply	15	126-2055	2	Decal-Torque, Wheel Hub Lug
8:3	232-27	1	Stem-Valve				
9	242-50	8	Nut-Lug 1/2-20				

Spray System Assembly

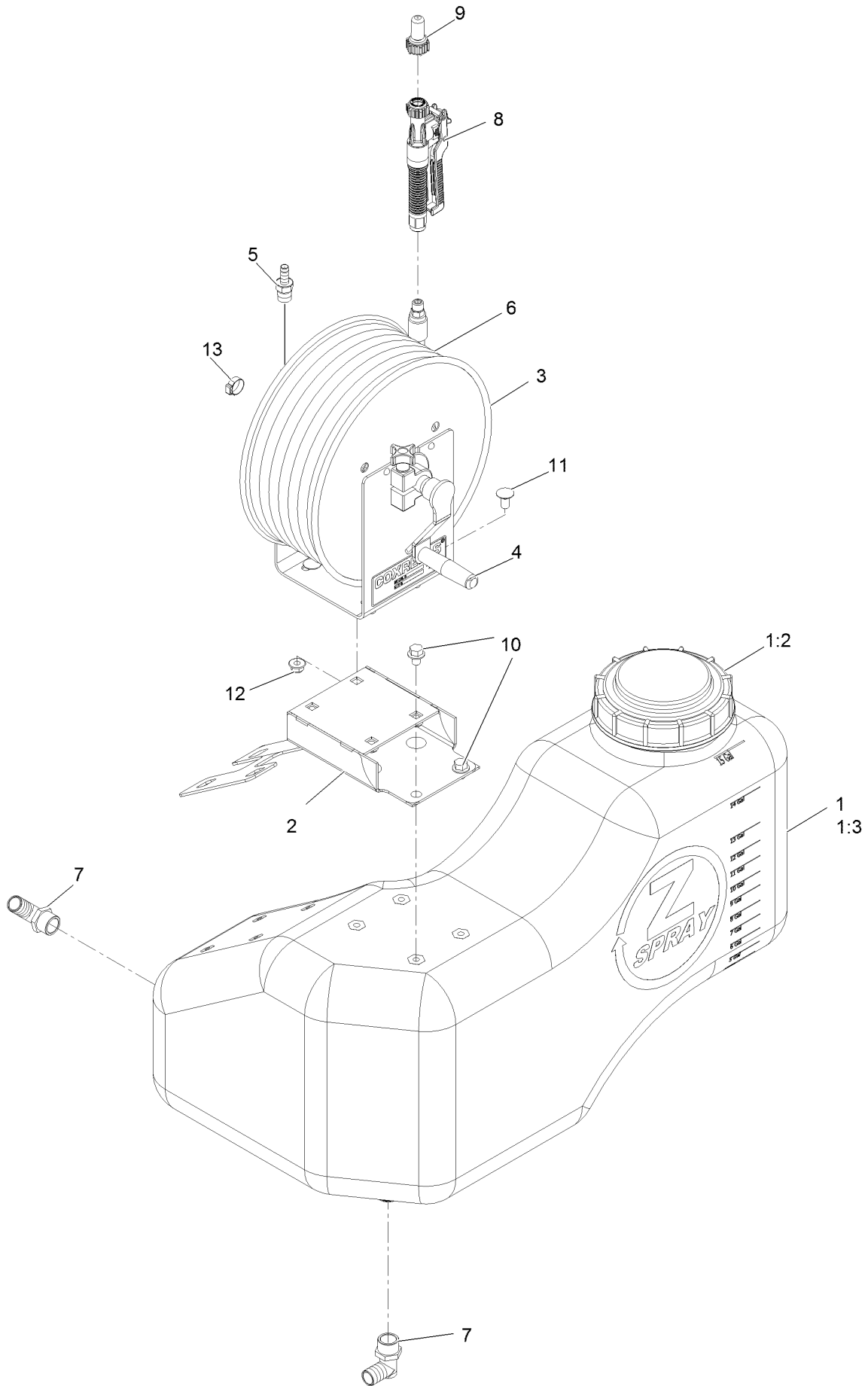


Spray System Assembly (continued)

<i>Ref.</i>	<i>Part Number</i>	<i>Qty.</i>	<i>Description</i>	<i>Ref.</i>	<i>Part Number</i>	<i>Qty.</i>	<i>Description</i>
1	135-5514	1	Mount-Tank, LH Wing	25	135-5327	1	Hose-Spray, Wrapped
2	135-5515	1	Mount-Tank, RH Wing	26	135-5325	1	Hose-Spray, Wrapped
3	135-5537	1	Mount-Box, Lt Fert	27	135-5890	12	Clamp-Oetiker, 167
4	135-5539	1	Mount-Box, Rt Fert	28	135-5757	2	Clamp-Oetiker, 167
5	135-5470	1	Box-Fert, Lt	29	2412-129	2	Clamp-Hose
6	135-5473	1	Box-Fert, Rt	30	135-5692	6	Clamp-Oetiker, 167
7		1	ASM-Tank, Hose Reel ●	32	135-5772	1	Fitting-Elbow, 90
8		1	ASM-Tank, Rt ●	35	135-6480	1	Hose-Spray, Wrapped
8:1	135-5995	1	ASM-Tank, Rt	39	135-5270	1	Hose-Spray, Wrapped
8:1:2	135-5916	1	Cap-Tank, Spray	40	135-5268	1	Hose-Spray, Wrapped
8:1:3	126-4393	2	Fitting-Bulkhead	41	135-5269	1	Hose-Spray, Wrapped
8:2	135-5772	2	Fitting-Elbow, 90	42	126-0980	12	Screw-Carriage 3/8-16 X 1 SS
8:3	135-5545	1	Platform, Liquid Valve Mount				
8:4	135-7096	4	Screw-HHF	43	135-6110	22	Nut-Hex Flange
9	135-5479	1	Bracket-Anti-Tip, Rt	44	135-6274	8	Screw-HHF
10	135-5477	1	Bracket-Anti-Tip, Lt	45	135-6208	10	Screw-HHF
12	135-5570	1	Bracket-Manifold	46	HDW14426	6	Nut, 1/2-13, NYL INS, ST/ST, 18-8
13		1	ASM-Manifold ●				
14		1	ASM, Boom ●	47	135-6207	6	Screw-HHF
15		1	ASM, Liquid Valve ●	48	135-6272	2	Screw-HHF
17	132-7706	1	Elbow-90DEG	49	135-6221	7	Screw-HHF
18	135-5765	1	Strainer-Inline	50	135-6108	4	Nut-Hex Flange
18:1	126-7195	1	Bowl-Strainer	54	32180-030	2	Clip-Tie
18:2	126-2272	1	Gasket-Head, Line Strainer	56	3290-378	13	Tie-Cable
18:3	135-5766	1	Screen-Strainer, 50 Mesh	59	135-6424	1	Decal-Cap, Strainer
21	135-6162	1	Hose-Spray	60	135-6285	1	Decal-Valve, Boom
22	135-6163	2	Hose-Spray	62	135-6484	2	Guard-Mesh
23	135-6164	1	Hose-Spray	63	135-6109	2	Nut-Hex Flange
24	135-5326	1	Hose-Spray	64	3290-379	3	Tie-Cable

● Not serviced separately

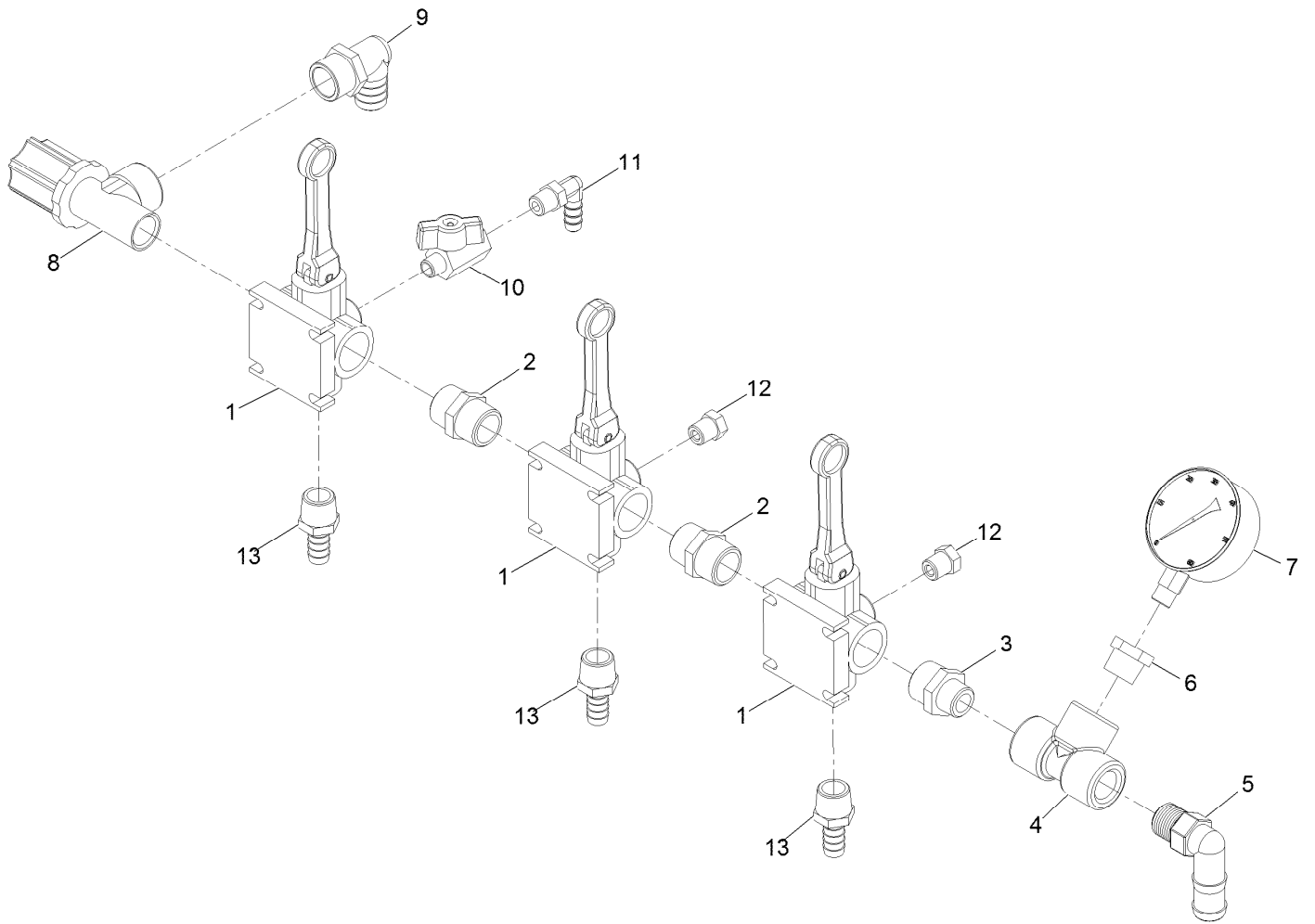
Hose Reel Tank Assembly



Hose Reel Tank Assembly (continued)

<i>Ref.</i>	<i>Part Number</i>	<i>Qty.</i>	<i>Description</i>	<i>Ref.</i>	<i>Part Number</i>	<i>Qty.</i>	<i>Description</i>
1	135-5993	1	ASM-Tank, Lt	7	135-5772	2	Fitting-Elbow, 90
1:2	135-5916	1	Cap-Tank, Spray	8	135-5773	1	Gun-Spray, Spot
1:3	126-4393	2	Fitting-Bulkhead	9	135-5778	1	Tip-Spray, #12 Spot
2	135-5521	1	Mount-Reel, Hose	10	135-7096	2	Screw-HHF
3	135-5787	1	Reel-Hose	11	135-6271	4	Screw-Carriage
4	135-6011	1	Crank-Reel	12	135-6110	4	Nut-Hex Flange
5	1-513200	2	Fitting, Male	13	135-5757	1	Clamp-Oetiker, 167
6	135-5794	1	Hose-Spray, 75'				

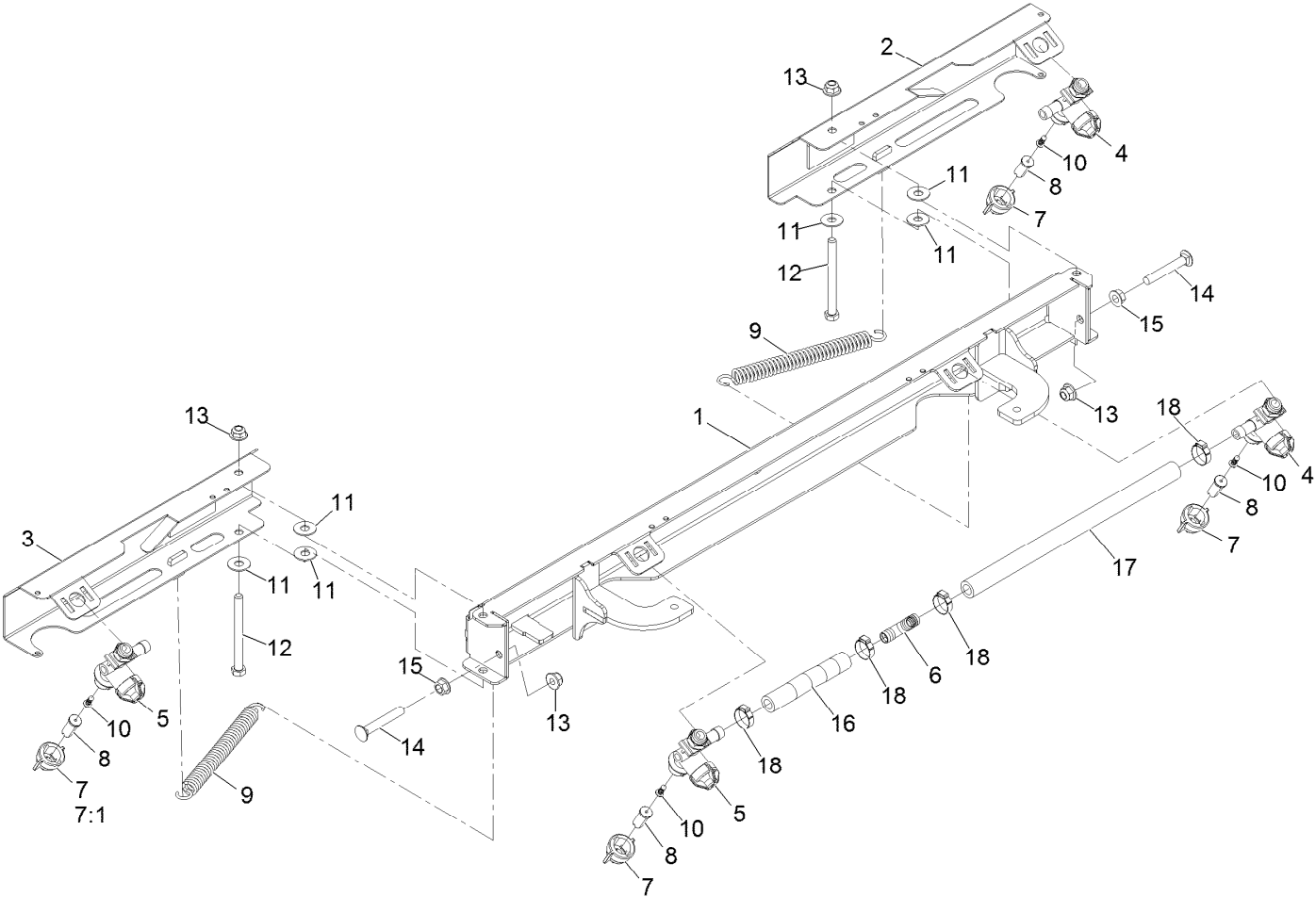
Manifold Assembly



Manifold Assembly (continued)

<i>Ref.</i>	<i>Part Number</i>	<i>Qty.</i>	<i>Description</i>	<i>Ref.</i>	<i>Part Number</i>	<i>Qty.</i>	<i>Description</i>
1	135-5721	3	Valve-Directo	8	135-5736	1	Valve-Throttle
2	135-5741	2	Fitting-Nipple	9	135-5772	1	Fitting-Elbow, 90
3	135-5742	1	Fitting-Nipple	10	135-5737	1	Valve-Chrome, 1/4
4	94-7100	1	Tee	11	135-5745	1	Fitting-Elbow, 90
5	92-8557	1	Elbow-90	12	135-5735	2	Plug-Valve
6	135-5743	1	Fitting-Reducer	13	120-8671	3	Fitting-Hosebarb
7	135-5740	1	Gauge				

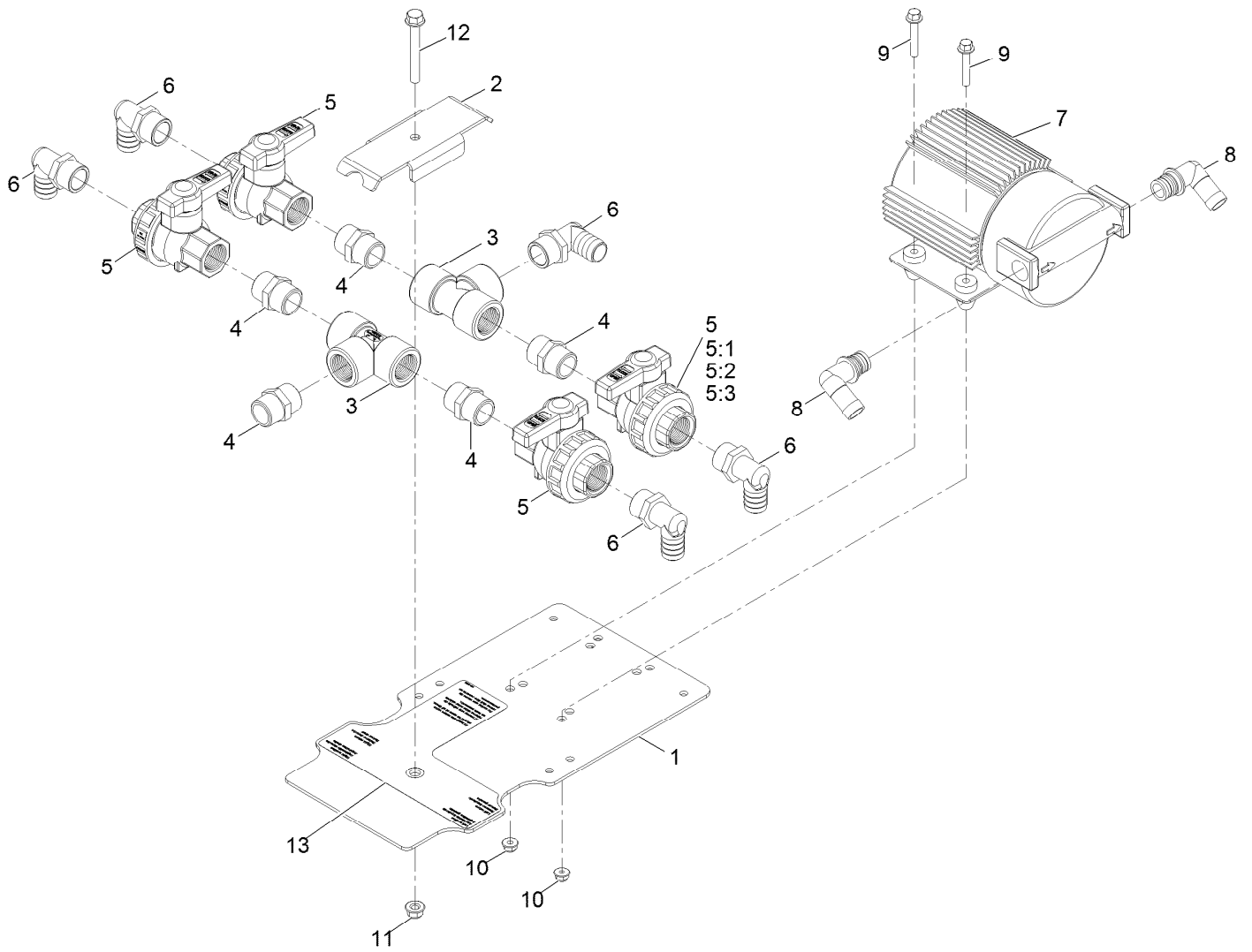
Boom Assembly



Boom Assembly (continued)

<i>Ref.</i>	<i>Part Number</i>	<i>Qty.</i>	<i>Description</i>	<i>Ref.</i>	<i>Part Number</i>	<i>Qty.</i>	<i>Description</i>
1	135-5480	1	Boom-Center	10	126-3943	4	Strainer-Nozzle, 50M 5PSI Check
2	135-5519	1	Boom-Wing, Rt	11	1126	6	Washer-Flat
3	135-5516	1	Boom-Wing, Lt	12	135-6310	2	Screw-HH
4	135-5790	2	Body-Nozzle, Right	13	135-6110	4	Nut-Hex Flange
5	135-5788	2	Body-Nozzle, Left	14	126-0702	2	Screw-CARR
6	138-2751	1	Fitting-Tee, Barb	15	135-6806	2	Nut-Hex Flange
7	135-5781	4	Cap-Nozzle	16	135-6298	1	Hose-Spray
7:1	40998	1	Seat-Gasket	17	135-7129	1	Hose-Spray
8	135-5791	4	Tip-Spray	18	135-5692	4	Clamp-Oetiker, 167
9	135-5780	2	Spring-Extension				

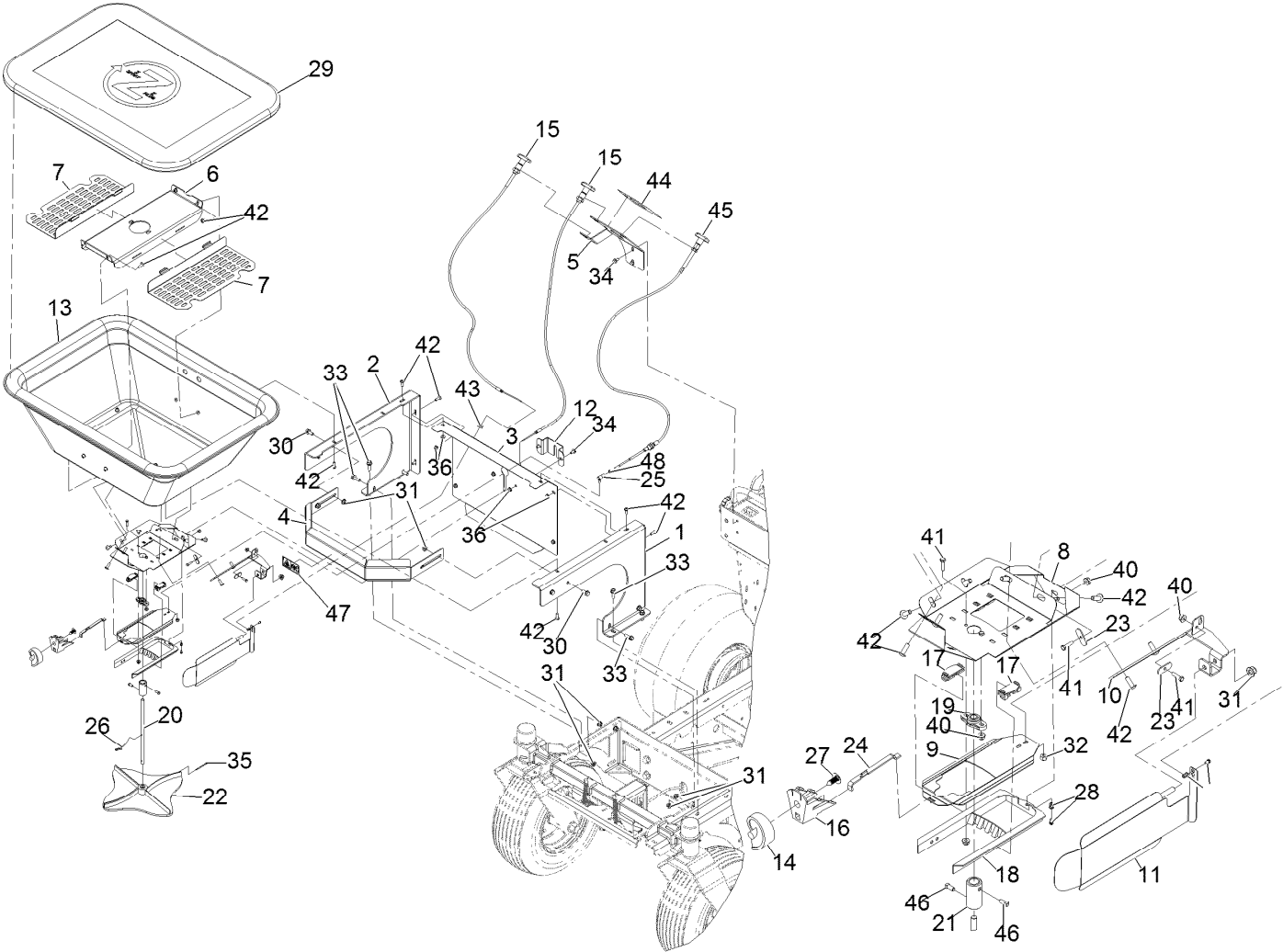
Liquid Valve Assembly



Liquid Valve Assembly (continued)

<i>Ref.</i>	<i>Part Number</i>	<i>Qty.</i>	<i>Description</i>	<i>Ref.</i>	<i>Part Number</i>	<i>Qty.</i>	<i>Description</i>
1	135-5491	1	Mount-Plate, Liquid Valve	6	135-5772	5	Fitting-Elbow, 90
2	135-5504	1	Plate-Clamp, Liquid Valve Fittings	7	135-6001	1	Pump-7.0 GPM
3	135-6004	2	Fitting-Tee	8	135-6003	2	Fitting-Elbow, 3/4Qd X 3/4Barb
4	135-5741	5	Fitting-Nipple	9	135-6320	4	Screw-HHF
5	135-6002	4	Valve-Union, 3/4	10	135-6108	4	Nut-Hex Flange
5:1	135-6006	1	O-Ring	11	135-6109	1	Nut-Hex Flange
5:2	135-6007	1	Ring-Valve, Union 3/4	12	135-6323	1	Screw-HHF
5:3	135-6008	1	Adapter-Uv, 3/4	13	135-6420	1	Decal-Valve, Tank

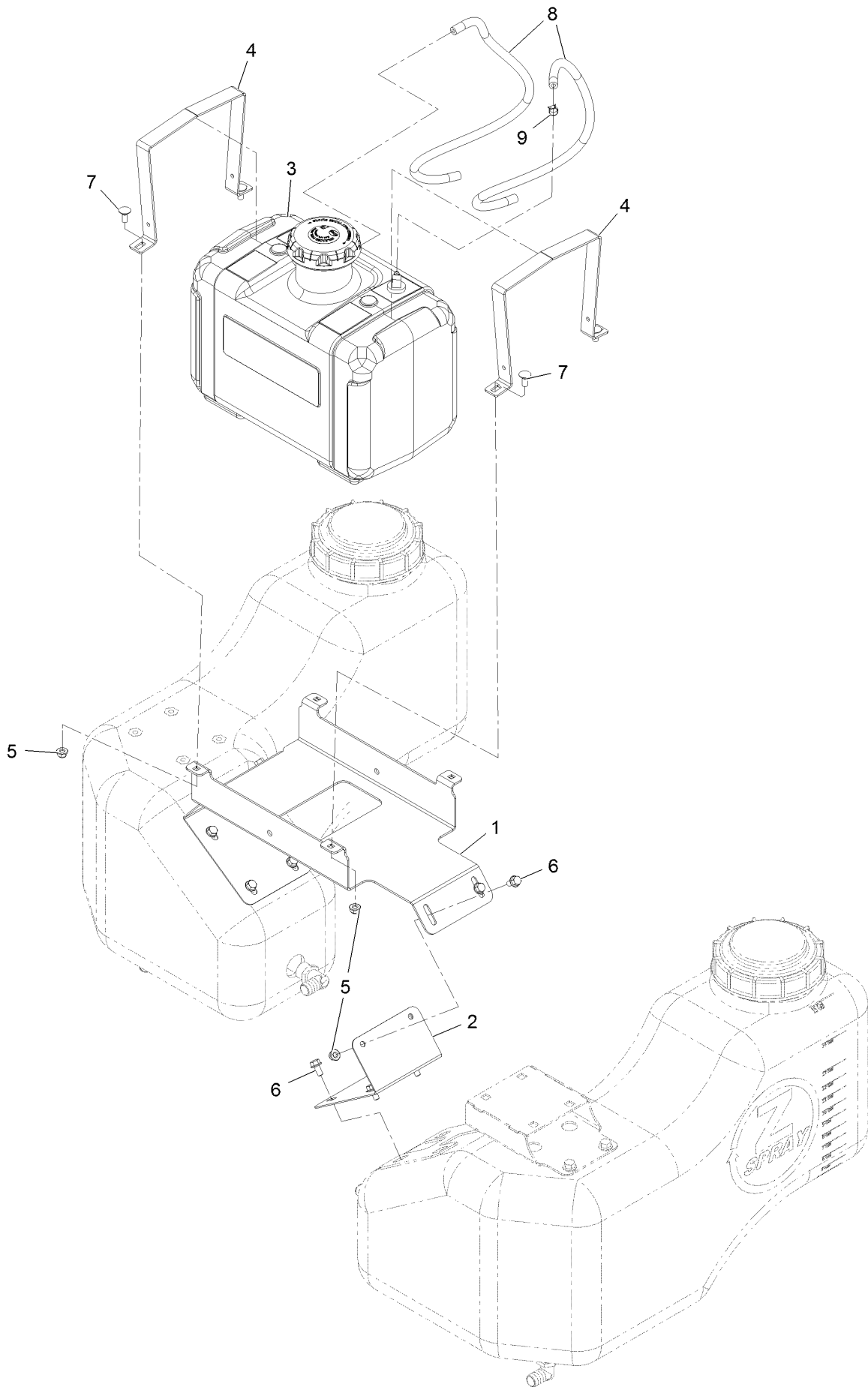
Hopper Assembly



Hopper Assembly (continued)

<i>Ref.</i>	<i>Part Number</i>	<i>Qty.</i>	<i>Description</i>	<i>Ref.</i>	<i>Part Number</i>	<i>Qty.</i>	<i>Description</i>
1	135-5533	1	Side-Hopper, Rt	25	135-5682	1	Ball Joint-SS
2	135-5535	1	Side-Hopper, Lt	26	135-5957	1	Wire-Agitator
3	135-5557	1	Backshield-Hopper	27	126-0986	1	Clip
4	135-5567	1	Bumper-Front, Hopper	28	135-5961	2	Retainer-Cable, Wire
5	135-5505	1	Mount-Speedometer	29	135-6145	1	Cover-Hopper, Large
6	135-5556	1	Pan-Hopper, 150	30	126-2712	4	Screw-HHF 5/16-18 X 3/4 SS
7	135-5559	2	Screen-Hopper, 150	31	135-6109	13	Nut-Hex Flange
8	135-5549	1	Plate-Base, Hopper	32	HDW05856	1	Nut,NYL Lock,#10-32,ST/ST 18-8
9	135-5564	1	Door-Slide, Hopper	33	135-6272	8	Screw-HHF
10	135-5531	1	Mount-Deflector, Side	34	135-6280	4	Screw-HHF
11	135-5589	1	Deflector-Side, Spreader	35	135-6340	1	Pin-Cotter
12	135-5563	1	Bracket-Hopper, 150 Cable Offset	36	135-6108	8	Nut-Hex Flange
13	135-6010	1	Hopper-150Lb	40	135-6342	4	Nut-Hex Flange
14	126-0988	1	Dial	41	135-6356	4	Screw-HH
15	135-5931	2	Cable-Push/Pull	42	135-7080	22	Screw-Hsbhf
16	126-0985	1	Mount-Dial	43	135-5988	1	Grommet-Rubber
17	126-0990	4	Guide-Rate, Gate	44	135-6279	1	Decal-Hopper Control
18	126-0991	1	Diffuser	45	135-5935	1	Cable-Push/Pull
19	135-5943	1	Bearing-Flange	46	3241-7	2	Screw-SQH
20	135-6053	1	Shaft-Hopper, 150	47	135-6725	1	Decal-Dismemberment Hazard
21	135-5937	1	Coupler-SS	48	520-0019	1	Nut,Hex Jam Mch Scr,10-32,Sst
22	135-5954	1	Spinner-Spreader				
23	135-5569	2	Retainer, Cable				
24	135-5965	1	Linkage-Gate, Rate				

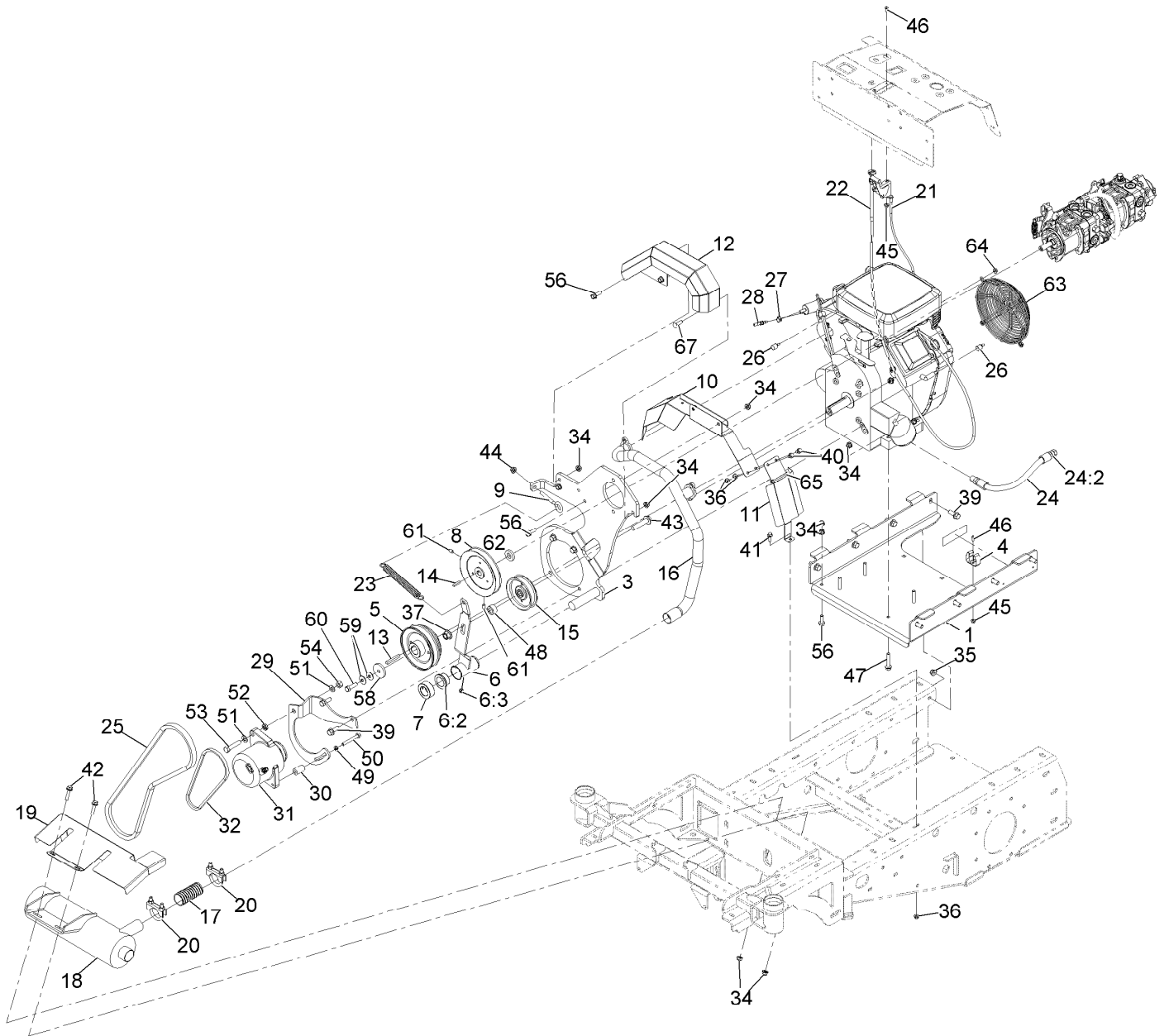
Fuel Assembly



Fuel Assembly (continued)

<i>Ref.</i>	<i>Part Number</i>	<i>Qty.</i>	<i>Description</i>	<i>Ref.</i>	<i>Part Number</i>	<i>Qty.</i>	<i>Description</i>
1	135-7223	1	Mount-Tank, Fuel	6	135-7086	12	Screw-HHF
2	135-5560	2	Bracket-Support, Gas Tank	7	126-0695	4	Screw-CARR
3	135-7172	1	ASM-Tank, 5 Gal.	8	109-1395	2	Hose-Fuel Line 27"
4	135-7211	2	Strap, Gas Tank	9	2412-98	1	Clamp-Hose
5	135-6109	8	Nut-Hex Flange				

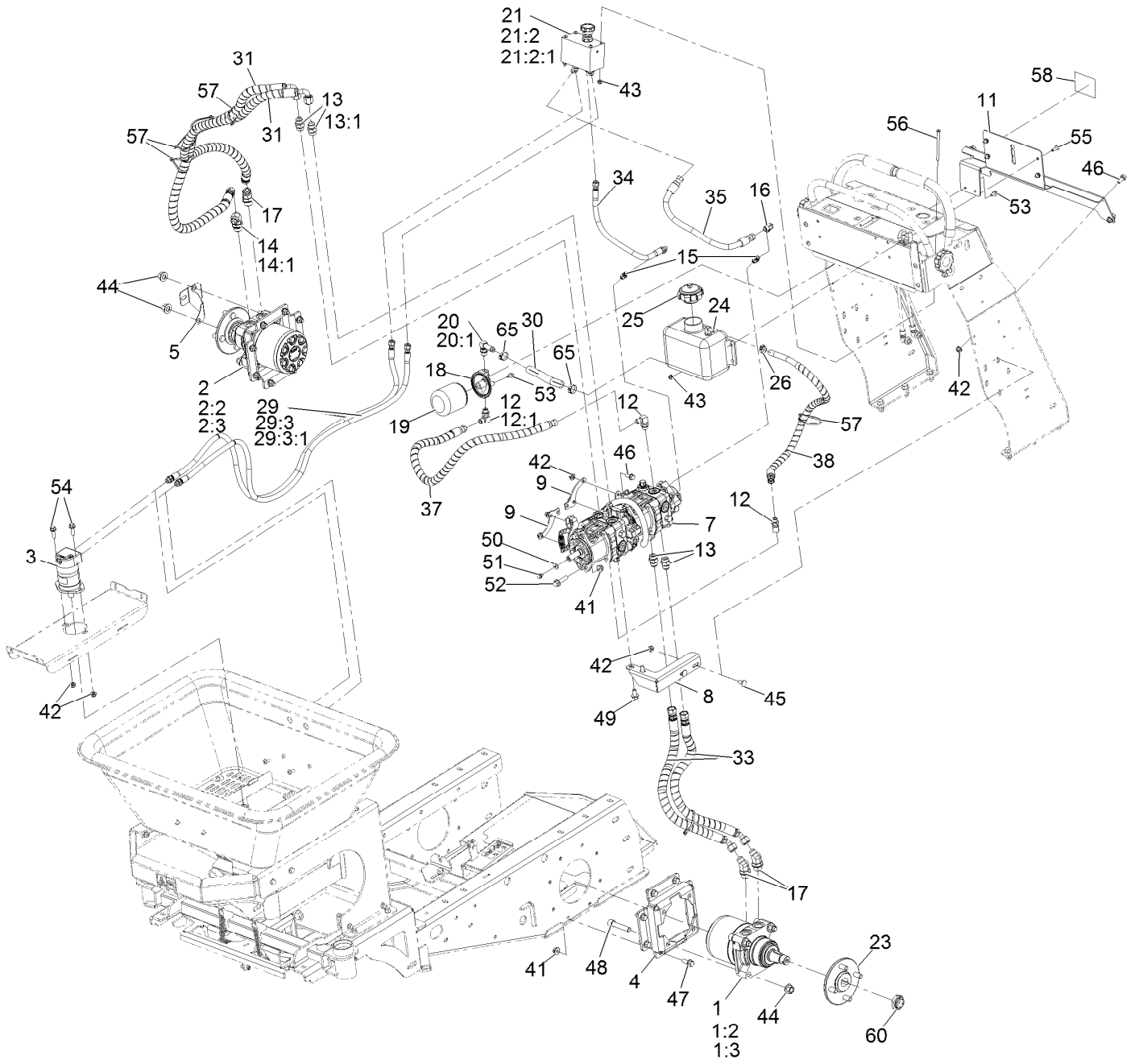
Engine Assembly



Engine Assembly (continued)

<i>Ref.</i>	<i>Part Number</i>	<i>Qty.</i>	<i>Description</i>	<i>Ref.</i>	<i>Part Number</i>	<i>Qty.</i>	<i>Description</i>
1	135-5492	1	Tray-Engine	31	135-6057	1	Alternator
3	135-5453-03	1	Bracket-Engine, Pump [black]	32	135-6613	1	Belt-V, 3L240
4	135-5661	1	Holder-Tool, Clip	34	135-6109	13	Nut-Hex Flange
5	135-6394	1	Pulley-Double	35	135-6110	8	Nut-Hex Flange
6	135-5669	1	Arm-Tension, ASM	36	135-6108	3	Nut-Hex Flange
6:2	256-132	2	Bushing-Flange	37	99-5107	1	Nut-Lock
6:3	302-63	1	Fitting-Grease, Zerk	39	135-6208	12	Screw-HHF
7	135-5382	1	Collar	40	135-6280	2	Screw-HHF
8	135-5663	1	Pulley-Drive, Pump	41	135-6221	1	Screw-HHF
9	135-5667	1	Bolt-Eye	42	135-6261	2	Screw-HHF
10	135-5565	1	Guard, Lower Muffler	43	3234-46	1	Screw-HHF
11	135-5566	1	Guard, Lower Muffler	44	104-8300	1	Nut-HF, NI
12	135-5552	1	Guard-Pulley	45	135-6342	3	Nut-Hex Flange
13	103-4177	1	Key	46	135-6374	3	Screw-HSBH
14	1-807272	1	Key	47	135-5779	4	Screw-HHF
15	135-5662	1	Pulley-Idler, Flat	48	116-2959	1	Spacer
16	135-5670	1	Manifold-Exhaust	49	3253-4	1	Washer-Lock
17	135-5658	1	Tube-Exhaust, Flex	50	120-9642	1	Screw-HH
18	135-5685	1	Muffler	51	33095-00	2	Washer-Flat
19	135-5568	1	Shield-Heat, Muffler	52	110-9346	1	Nut-Hex
20	2112-11	2	Clamp-Muffler	53	33115-050	1	Screw-HH
21	135-5260	1	Cable-Throttle	54	33025-00	1	Nut-Lock, NI
22	135-5707	1	Cable-Choke	56	135-6272	5	Screw-HHF
23	135-5780	1	Spring-Extension	58	110-9981	1	Washer-Plain
24	135-5365	1	ASM, Oil Drain Hose W/Plug	59	3290-340	2	Washer-Belleville
24:2	AU218-774	1	Plug	60	3211-5	1	Screw-HH
25	135-5664	1	Belt-V	61	3246-17	2	Setscrew-HSH
26	135-5677	2	Tube-Heat Shrink, 1/2	62	1-323539	1	Spacer
27	2412-98	1	Clamp-Hose	63	135-6554	1	Guard-Wire, Vanguard
28	135-5678	1	Barb-Fuel	64	33003-00	4	Nut-HF
29	135-5929	1	Bracket-Alternator	65	3290-378	1	Tie-Cable
30	135-5930	1	Tube-Support, Alternator	67	HDW17294	1	Bolt, Carriage, 5/16-18X1, ST/ST 18-8

Hydraulic Assembly

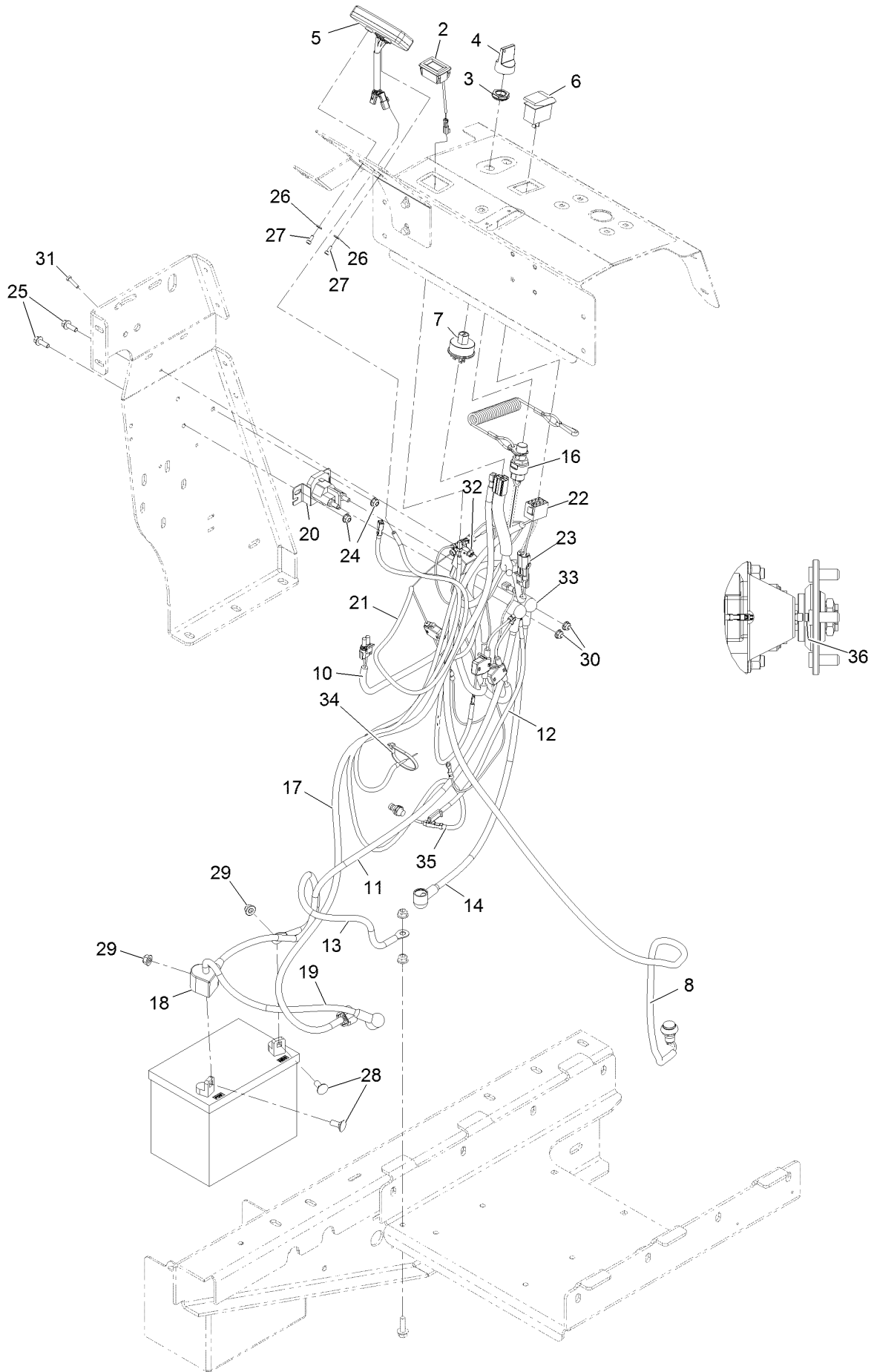


Hydraulic Assembly (continued)

<i>Ref.</i>	<i>Part Number</i>	<i>Qty.</i>	<i>Description</i>	<i>Ref.</i>	<i>Part Number</i>	<i>Qty.</i>	<i>Description</i>
1	135-5230	1	Motor, LH Wheel	24	135-5712	1	Tank-Hydraulic, Plastic
1:2	3257-42	1	Key-Woodruff 5/16 X 1	25	135-5713	1	Cap-Vented
1:3	103-6994	1	Seal Kit	26	135-5757	1	Clamp-Oetiker, 167
2	135-5231	1	Motor, RH Wheel	29	135-5356	2	Hose ASM, HYD HP
2:2	3257-42	1	Key-Woodruff 5/16 X 1	29:3		1	Fitting-Straight, Rigid ●
2:3	103-6994	1	Seal Kit	29:3:1	237-42	1	O-Ring
3	135-5243	1	Motor-Hydraulic, Spreader	30	109-5577	1	Hose-Hydraulic
4	135-5524	2	Mount-Motor, Wheel	31	135-5458	2	Hose ASM, HYD HP
5	135-5574	1	Bracket-Hopper, Speedometer Sensor	33	135-5464	2	Hose ASM, HYD HP
7	135-5665	1	Pump-Tandem	34	135-5360	1	Hose ASM, HYD HP
8	135-5551	1	Bracket-Support, Hydro Pump	35	135-5361	1	Hose ASM, HYD LP
9	135-5558	2	Extension, Hydro Pump	37	135-5385	1	Hose ASM, HYD LP
11	135-5550	1	Mount, Hydraulic Tank And Filter	38	135-5456	1	Hose ASM, HYD LP
12	103-1802	3	Fitting-Elbow, 90 DEG	41	135-6110	18	Nut-Hex Flange
12:1	237-42	1	O-Ring	42	135-6109	12	Nut-Hex Flange
13	353-388	4	Fitting-Straight	43	135-6108	8	Nut-Hex Flange
13:1	237-79	1	O-Ring	44	99-5107	8	Nut-Lock 1/2-13
14	353-426	1	Fitting-90 DEG	45	126-0695	2	Screw-CARR
14:1	237-80	1	O-Ring	46	126-2712	8	Screw-HHF 5/16-18 X 3/4 SS
15	353-545	2	Fitting-Straight	47	135-6208	16	Screw-HHF
16	135-5680	1	Fitting-90 Swivel	48	3274-71	8	Screw-HSH
17	135-5696	3	Fitting-Elbow, 45 DEG	49	135-6274	2	Screw-HHF
18	104-7836	1	Filter-Head	50	135-6273	1	Washer
19	135-5695	1	Filter-Hydraulic	51	81-1280	1	Screw-HHF
20	109-6449	1	Fitting-Elbow, 90	52	135-6278	2	Screw-HHF
20:1	237-42	1	O-Ring	53	135-6280	2	Screw-HHF
21	135-5256	1	Manifold-Hopper, W/Out Relief	54	135-6272	2	Screw-HHF
21:2	353-212	1	Fitting-Elbow, 45 DEG	55	135-7080	4	Screw-Hsbhf
21:2:1	237-42	1	O-Ring	56	135-6385	4	Screw-HSBH
23	135-5684	2	Hub-Wheel	57	3290-378	6	Tie-Cable
				58	135-6398	1	Decal-Oil
				60	116-1399	2	Locknut
				65	135-5692	2	Clamp-Oetiker, 167

● Not serviced separately

Electrical Assembly



Electrical Assembly (continued)

<i>Ref.</i>	<i>Part Number</i>	<i>Qty.</i>	<i>Description</i>	<i>Ref.</i>	<i>Part Number</i>	<i>Qty.</i>	<i>Description</i>
2	135-5259	1	Meter-Tach/Hour	22	32160-008	1	Connector-Carling, 8F
3	135-5715	1	Nut-Switch, Key	23	32160-072	1	Connector-Wp,2M
4	135-5708	1	Key-Umbrella	24	135-6108	2	Nut-Hex Flange
5	135-8900	1	Head Only, Striker	25	135-6221	2	Screw-HHF
6	100-8469	1	Switch-Rocker	26	126-0759	2	Washer-Flat
7	135-6052	1	Switch-Ignition	27	135-6357	2	Screw-HSH
8	135-6054	1	Switch-Push Button	28	126-0695	2	Screw-CARR
10	135-6113	1	Harness, Main	29	135-6109	2	Nut-Hex Flange
11	135-6114	1	Cable-Positive	30	104-7201	2	Nut-Nyloc 1/4-20 Flg
12	135-6115	1	Wire-Solenoid	31	135-6356	1	Screw-HH
13	135-6116	1	Cable-Ground	32	135-6342	1	Nut-Hex Flange
14	135-6117	1	Cable-Positive	33	1-543393	4	Insulator-Solenoid
16	135-6121	1	Switch-Op	34	3290-378	11	Tie-Cable
17	135-6120	1	Harness, Alternator	35	135-8898	1	Cable-Trail Tech, Sensor
18	135-2304	1	Insulator-Battery	36	135-8903	1	Magnet, Speedometer
19	135-6119	1	Cable-Positive	99	135-7317	1	Manual-User, Striker ●
20	135-6189	1	Solenoid-Starter	99	135-7318	1	Card-Striker, Quick Start ●
21	135-6443	1	Harness-Striker				

● Not illustrated

