

WALKER

ILLUSTRATED PARTS MANUAL

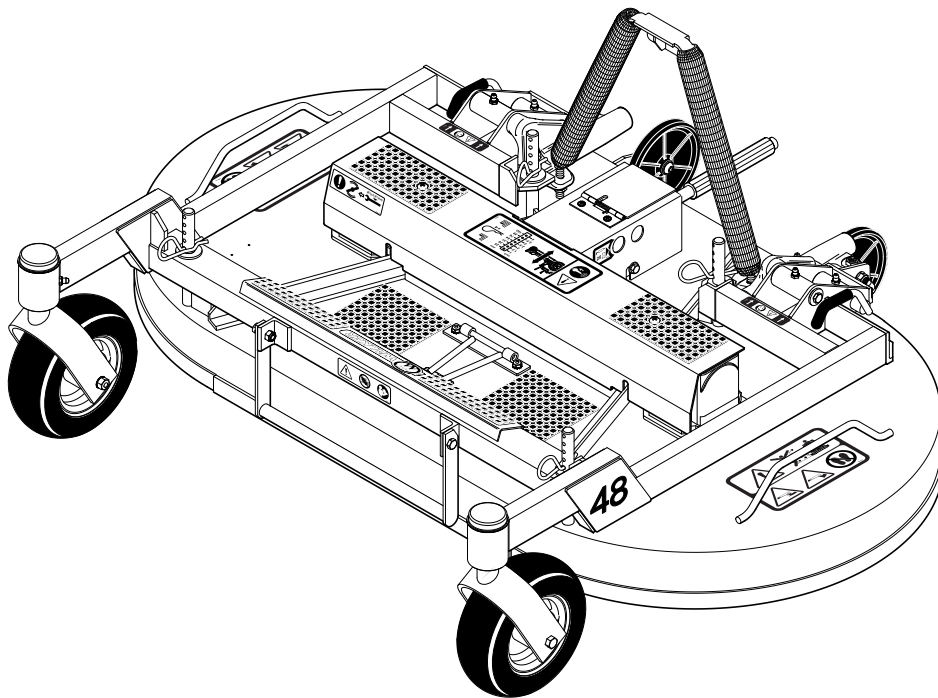
Mulching Deck and Carrier Frame Assemblies

DM36

DM42A

DM42B

DM48



Effective Date: 04-01-13
P/N 5000-24

KEY TO ABBREVIATIONS USED IN THIS MANUAL

<i>Abbreviation</i>	<i>What it Represents</i>
° (Dimension)	Degrees (Angle)
" (Dimension)	inches
(-)	Negative (Polarity)
(+)	Positive (Polarity)
AT	All-Terrain
CCW	Counter-clockwise
Conn	Connector
CW	Clockwise
D	Diameter
DC	Deck, Collection (number refers to size in inches)
DM	Deck, Mulching (number refers to size in inches)
DR	Deck, Rear Discharge (number refers to size in inches)
DS	Deck, Side Discharge (number refers to size in inches)
DU	Garlock (Bearing)
ESNA (Fastener)	Nylon Insert Locknut
FSC	Forward Speed Control
GA	Gauge
gal	gallon
GHS	Grass Handling System
GR (Fastener)	Grade
HD	Heavy Duty
HP	Horse Power
ID	Identification or Inside Diameter
L	Length
LH	Left Hand (orientated with operator on seat)
LP	Low Profile
mm (Dimension)	millimeters
MS (Fastener)	Machine Screw
NS (as part number)	Item is not sold by Walker Manufacturing
OD	Outside Diameter
oz	ounce
PFH (Fastener)	Phillips Flat Head
P/N	Part Number
PPH (Fastener)	Phillips Pan Head
PTH (Fastener)	Phillips Truss Head
PTO	Power Take-Off
QKS	Quick Slide
qt	quart
RH	Right Hand (orientated with operator on seat)
SAE (Fastener)	Society of Automotive Engineers
SBH (Fastener)	Socket Button Head (Bolt)
SD	Side Discharge
SFH (Fastener)	Slotted Flat Head
SHC (Fastener)	Socket Head Cap
SHL (Fastener)	Shoulder (Bolt)
SM (Fastener)	Sheet Metal (Screw)
S/N	Serial Number
Spg	Spring
SQH (Fastener)	Square Head
SS (Fastener)	Stainless Steel
ST (Fastener)	Self-Tapping (Screw)
Term	Terminal
V	Volts

NOTE: In some instances, combinations of abbreviations may be used (e.g. PPHMS - Phillips Pan Head Machine Screw).

ILLUSTRATED PARTS LIST

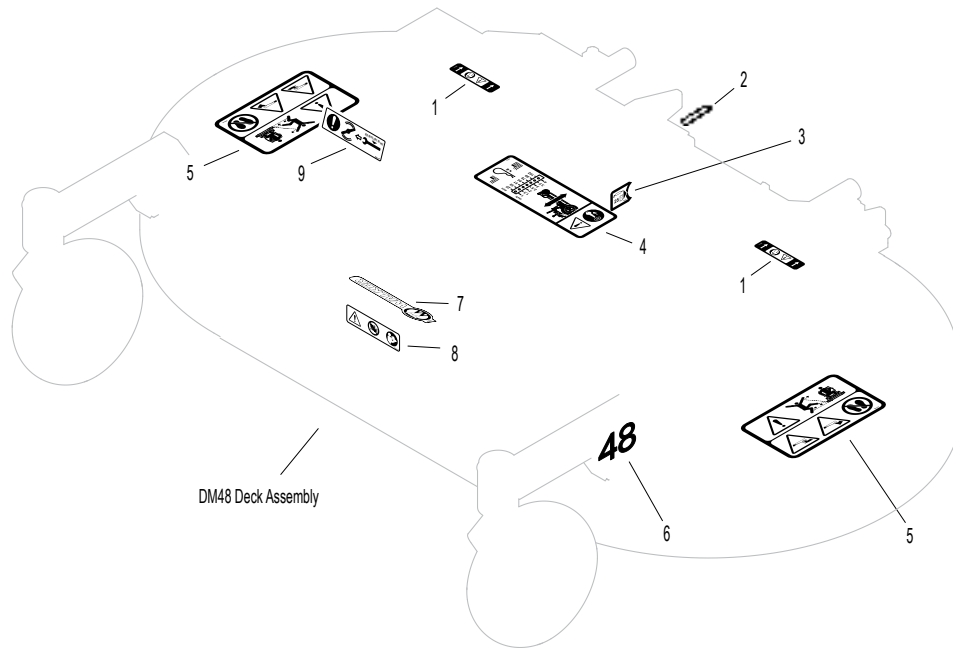
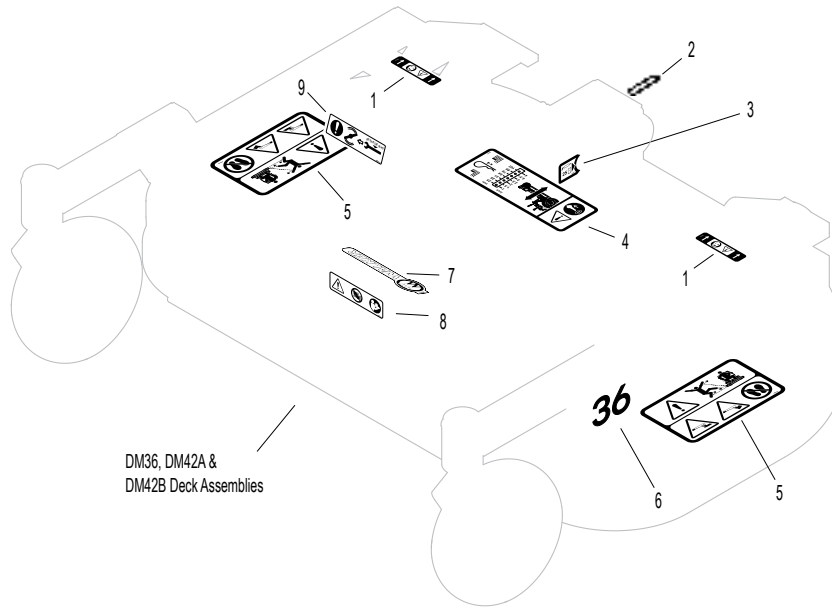
<i>Section of Deck Covered</i>	<i>Page</i>	<i>Section of Deck Covered</i>	<i>Page</i>
Decals & Paint		Maintenance	
36", 42" & 48" Deck Decals / Touch-Up Paint	2	Lubrication Points	16
Deck and Carrier Frame Assemblies		H24d, H25 And H27i Deck Arm Adapter Kit	17
DM36 Inch Complete Carrier Frame Assembly	4	Blade Usage Chart	18
DM36 Deck Assembly	6	Fastener Loctite® Application & Torque Instructions	19
48 Inch Complete Carrier Frame Assembly	8	Maintenance And Service Record Sheet	20
DM42A Deck Assembly	10	Deck / Tractor Compatibility Chart	20
DM42B Deck Assembly	12	Warranty	
DM48 Deck Assembly	14	Limited Warranty	21

36", 42" & 48" DECK DECALS / TOUCH-UP PAINT

ITEM NO.	PART NO.	DESCRIPTION	LOCATION	NO. REQ'D
DM36, DM42A & DM42B Deck Decals				
1	8600-15	Caution, Pivot Joint	Carrier Frame	2
2	6875	PTO Alignment Arrow	Universal Joint Shaft Assembly	1
3	5846-1	Grease Fitting	PTO Shaft Guard	1
4	8600-7	Cutting Height Adjustment	Gearbox Cover	1
5	8600-28	Danger, Rotating Blades	Deck Housing (one on each end)	2
6	8821-14	Decal (36")	Carrier Frame	1
	8821-16	Decal (48")	Carrier Frame	1
7	5809-2	Decal, Walker	Carrier Frame	1
8	8600-14	Danger, Tilt-Up	Carrier Frame, Front	1
9	8600-9	Blade Mounting Torque	Gearbox Cover	1
DM48 Deck Decals				
1	8600-15	Caution, Pivot Joint	Carrier Frame	2
2	6875	PTO Alignment Arrow	Universal Joint Shaft Assembly	1
3	5846-1	Grease Fitting	PTO Shaft Guard	1
4	8600-7	Cutting Height Adjustment	Gearbox Cover	1
5	8600-28	Danger, Rotating Blades	Deck Housing (one on each end)	2
6	8821-16	Decal (48")	Carrier Frame	1
7	5809-2	Decal, Walker	Carrier Frame	1
8	8600-14	Danger, Tilt-Up	Carrier Frame, Front	1
9	8600-9	Blade Mounting Torque	Gearbox Cover	1
Touch-Up Paint				
10	5866	Touch-Up Paint, Yellow (12 oz. Aerosol)		

NOTE: All parts requiring decals are shipped with decals applied.

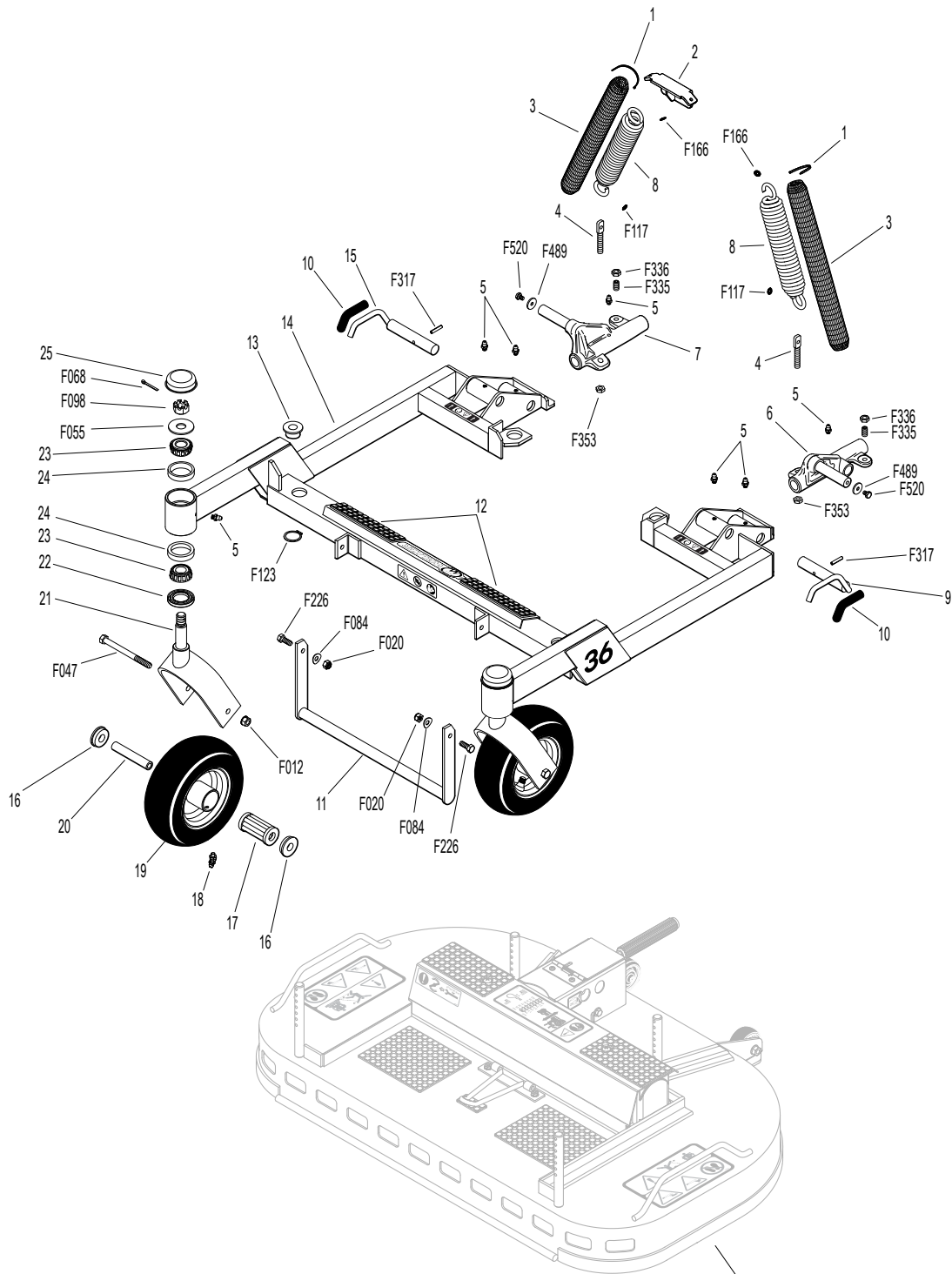
36", 42" & 48" DECK DECALS / TOUCH-UP PAINT



DM36 INCH COMPLETE CARRIER FRAME ASSEMBLY

ITEM NO.	PART NO.	DESCRIPTION	NO. REQ'D	ITEM NO.	PART NO.	DESCRIPTION	NO. REQ'D
Spring and Pivot Mount Components				Fasteners			
1	5975-3	Cable Tie (50# x 7")	4	F012		3/8-16 Keps Nut	2
2	5744-1	Spring Clip Bracket	1	F020		5/16-18 ESNA Nut	2
3	5743-1	Spring Cover	2	F047		3/8-16 x 4-1/2 Hex Bolt	2
4	5743-4	Eyebolt (3/8-16 x 2-3/4)	2	F055		5/8 SAE Washer	2
5	5830	Grease Fitting	8	F068		1/8 x 1 Cotter Pin	2
6	8667-29	Pivot Mount Adj., LH	1	F084		5/16 Wave Spring Washer	2
	8667-3	Pivot Mount Assembly, LH/Adj. (Includes Items # 5, 6, F353, F489 & F520)	*	F098		5/8-18 Slotted Hex Nut	2
7	8667-28	Pivot Mount Adj., RH	1	F117		Retainer Ring	2
	8667-4	Pivot Mount Assembly, RH/Adj. (Includes Items # 5, 7, F353, F489 & F520)	*	F123		1" External Snap Ring	4
8	5743-8	Extension Spring (1-1/2 x 7-3/4) (Includes Items # 1, F117 & F166)	2	F166		Retainer Ring	2
				F226		5/16-18 x 7/8 Hex Bolt	2
				F317		3/16 x 1 Split Spring Pin	2
				F335		3/8-16 x 7/8 Set Screw, SS	2
				F336		3/8-16 Jam Nut	2
				F353		3/8-16 ESNA LP Nut	2
				F489		Washer 1/4 x 7/8 x .090	2
				F520		1/4-28 x 3/8 Hex Bolt	2
Carrier Frame Components				* Service Part Only			
9	8674-11	Lever, Deck Lock, LH	1	** May be ordered as a kit for dealer installation. Contact your Walker dealer.			
10	7406-1	Handle Grip (Red)	2				
11	8669	Lift Handle	1				
12	5748-10	Rubber Mat (1-1/2 x 6)	2				
13	5740-2	Deck Pin Bushing (5/8)	4				
14	5708-8	DML36 Carrier Frame (Includes Item # 12)	1				
	5708-7	DML36 Carrier Frame W/Forks (Includes Items # 12, 21-23, 25, F055, F068 & F098)	*				
15	8674-10	Lever, Deck Lock, RH	1				
Caster Wheel Components							
16	5714-7	Bearing Cap	4				
17	5714-5	Bearing, Caster Wheel	2				
18	5830-3	Grease Fitting (45 Degree)	2				
19	5715-4	Caster Wheel, Pneumatic (8 x 3.00-4) (Includes Items # 16-18)	2				
	5715-10	Tire, Pneumatic (8 x 3.00-4)	*				
	5715-9	Tire Tube, Pneumatic (2.80/2.50-4)	*				
	5715-3	Caster Wheel & Tire/No-Flat (8 x 3.00-4)	**				
	5715-11	Tire, Caster Wheel/No-Flat (8 x 3.00-4)	**				
20	5714-3	Axle Spacer Tube	2				
21	5770-1	Caster Wheel Fork	2				
22	8768-1	Seal (1-3/4 x 1-1/8)	2				
23	8037	Bearing Cone (3/4 ID)	4				
24	8769-1	Bearing Cup (1-3/4 x 1-7/16)	4				
25	8769-9	Dust Cap, Deck Caster	2				

DM36 INCH COMPLETE CARRIER FRAME ASSEMBLY



Refer to LUBRICATION POINTS, Page 16.

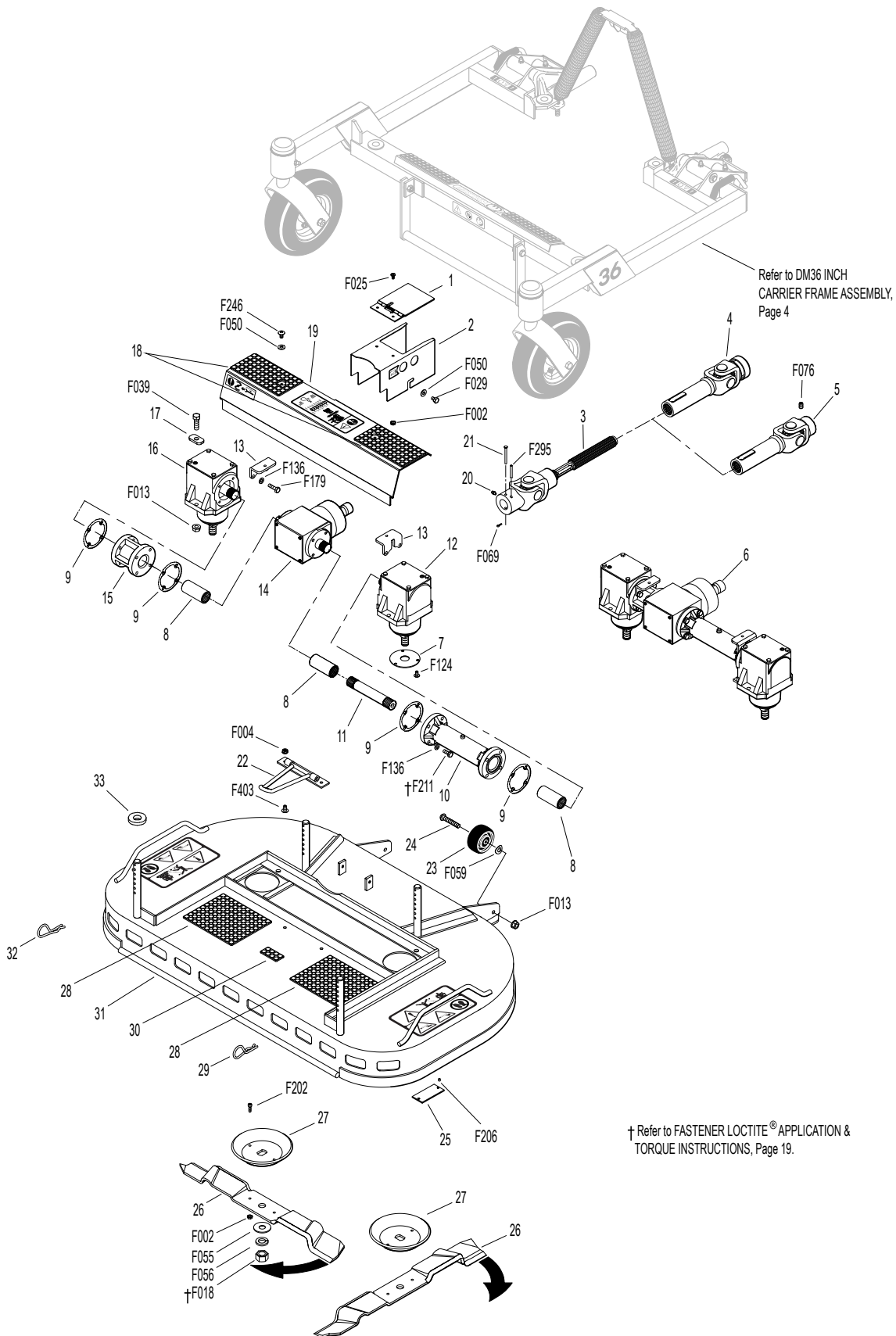
DM36 DECK ASSEMBLY

ITEM NO.	PART NO.	DESCRIPTION	NO. REQ'D	ITEM NO.	PART NO.	DESCRIPTION	NO. REQ'D
Gearbox and Drive Components				28	8735-10	Rubber Mat (5 x 6)	2
1	8618-1	Cover, PTO Shaft Guard	1	29	7775-1	Hitch Pin, LH (Silver) #6	2
2	8619-2	PTO Shaft Guard	1	30	8788-1	Rubber Mat (1 x 2)	1
	8618-3	PTO Shaft Guard Assembly (Includes Items # 1, 2, F002 & F025)	*	31	5702-7	DML36 Deck Housing (Includes Items # 28 & 30)	1
3	5285-15	U-Joint Shaft Assy, 90 Degree, Spline (Includes Items # 21, F069 & F295)	1	32	7775-2	Hitch Pin, RH (Gold) #6	2
4	7275-16	U-Joint Tube Assy, Spline	1	33	5727-1	Washer Shim (5/8 ID)	4
5	5275-15	U-Joint Tube Assy (9.5" OAL), Spline (Includes Item # F076)	1	Fasteners			
6	5704-82	DML36 Gearbox Tube Assembly (Includes Items # 7-16, F136, F179 & F211)	1	F002	10-24 Keps Nut		6
7	5706-4	Seal Protector Plate	2	F004	1/4-20 Keps Nut		2
8	6054	Spline Coupling	3	F013	3/8-16 Whiz Locknut		6
9	P007	Gasket, Cap (Peerless #788030)	4	F018	5/8-18 Hex Nut		2
10	5065	Connector Tube (7-11/16)	1	F025	10-24 x 3/8 PPHMS		2
11	6733-4	Connecting Shaft (5-5/16)	1	F029	1/4-20 x 1/2 Hex Bolt		2
12	5052-4	Gearbox (LH 1.2:1)	1	F039	3/8-16 x 1-1/4 Hex Bolt		4
13	5704-1	Gearbox Cover Support	2	F050	1/4 SAE Washer		4
14	5051-16	Tee Gearbox, Shear	1	F055	5/8 SAE Washer		2
15	5060	Connector Tube (2-5/16)	1	F056	5/8 Split Lock Washer		2
16	5053-4	Gearbox (RH 1.2:1)	1	F059	3/8 Wave Spring Washer		2
17	5052-3	1.375 x .750 x .187 Washer	4	F069	3/32 x 1/2 Cotter Pin		1
18	5747-11	Rubber Mat (3 x 6)	2	F076	3/8-16 x 5/8 SQH Set Screw		*
19	5746-6	DML36 Gearbox Cover (Includes Item # 18)	1	F124	10-32 x 3/8 Taptite MS		6
20	5830	Grease Fitting	1	F136	AN960C416L Washer		16
21	8067-13	Shear Pin w/Cotter (Set of 5) (Includes Item # F069)	*	F179	1/4-20 x 1 Hex Bolt		4
Deck Housing Components				F202	10-24 x 5/8 SHC Screw, GR5 SS		4
22	8670	Tilt-Up Hook	1	F206	#2 x 3/16 Drive Pin		2
23	9772	Roller Wheel Assembly (2-1/2) (Includes Item # F059)	2	F211	1/4-20 x 7/8 Hex Bolt		12
24	8490-1	Roller Wheel Axle Bolt	2	F246	1/4-20 x 1/2 PTHMS		2
25	NS	Deck Serial Number Plate	1	F295	3/16 x 1-1/2 Split Spring Pin		1
26	5705-23	Blade 19" Mulch, Special	2	F403	1/4-20 x 1/2 PTHMS, SS		2
27	5706	Blade Hub & Trash Guard	2	* Service Part Only			

NOTE: Order Item # 4 to use the splined deck PTO shaft with Model T23, T25i, T30i, D21d, C19 and B19.

NOTE: Order Item # 5 to use the splined deck PTO shaft with Model S14 and B18.

DM36 DECK ASSEMBLY



Refer to LUBRICATION POINTS, Page 16.

48 INCH COMPLETE CARRIER FRAME ASSEMBLY

ITEM NO.	PART NO.	DESCRIPTION	NO. REQ'D	ITEM NO.	PART NO.	DESCRIPTION	NO. REQ'D
Spring and Pivot Mount Components				Fasteners			
1	5975-3	Cable Tie (50# x 7")	4	F012		3/8-16 Keps Nut	2
2	5744-1	Spring Clip Bracket	1	F014		3/8-16 ESNA Nut	2
3	5743-1	Spring Cover	2	F020		5/16-18 ESNA Nut	2
4	5743-3	Eyebolt (3/8-16 x 2)	2	F047		3/8-16 x 4-1/2 Hex Bolt	2
	5743-4	Eyebolt (3/8-16 x 2-3/4)	2***	F055		5/8 SAE Washer	2
5	5830	Grease Fitting	8	F068		1/8 x 1 Cotter Pin	2
6	8667-29	Pivot Mount Adj., LH	1	F084		5/16 Wave Spring Washer	2
	8667-3	Pivot Mount Assembly, LH/Adj. (Includes Items # 5, 6, F014, F489 & F520)	*	F098		5/8-18 Slotted Hex Nut	2
7	8667-28	Pivot Mount Adj., RH	1	F117		Retainer Ring	2
	8667-4	Pivot Mount Assembly, RH/Adj. (Includes Items # 5, 7, F014, F489 & F520)	*	F123		1" External Snap Ring	4
8	5743-8	Extension Spring (1-1/2 x 7-3/4) (Includes Items # 1, F117 & F166)	2	F166		Retainer Ring	2
				F226		5/16-18 x 7/8 Hex Bolt	2
				F317		3/16 x 1 Split Spring Pin	2
				F335		3/8-16 x 7/8 Set Screw, SS	2
				F336		3/8-16 Jam Nut	2
				F489		Washer 1/4 x 7/8 x .090	2
				F520		1/4-28 x 3/8 Hex Bolt	2
Carrier Frame Components							
9	8674-11	Lever, Deck Lock, LH	1				
10	7406-1	Handle Grip (Red)	2	*		Service Part Only	
11	8669	Lift Handle	1				
12	5748-10	Rubber Mat (1-1/2 x 6)	2	**		May be ordered as a kit for dealer installation. Contact your Walker dealer.	
13	5740-2	Deck Pin Bushing (5/8)	4				
14	8661-2	48" Carrier Frame (Less Pivots) (Includes Item # 12)	1	***		Item used with DM42A and DM42B Mulching Decks only	
	8661-1	48" Carrier Frame w/Forks (Less Pivots) (Includes Items # 12, 21-23, 25, F055, F068 & F098)	*				
15	8674-10	Lever, Deck Lock, RH	1				
Caster Wheel Components							
16	5714-7	Bearing Cap	4				
17	5714-5	Bearing, Caster Wheel	2				
18	5830-3	Grease Fitting (45 Degree)	2				
19	5715-4	Caster Wheel, Pneumatic (8 x 3.00-4) (Includes Items # 16-18)	2				
	5715-10	Tire, Pneumatic (8 x 3.00-4)	*				
	5715-9	Tire Tube, Pneumatic (2.80/2.50-4)	*				
	5715-3	Caster Wheel & Tire/No-Flat (8 x 3.00-4)	**				
	5715-11	Tire, Caster Wheel/No-Flat (8 x 3.00-4)	**				
20	5714-3	Axle Spacer Tube	2				
21	5770-1	Caster Wheel Fork	2				
22	8768-1	Seal (1-3/4 x 1-1/8)	2				
23	8037	Bearing Cone (3/4 ID)	4				
24	8769-1	Bearing Cup (1-3/4 x 1-7/16)	4				
25	8769-9	Dust Cap, Deck Caster	2				

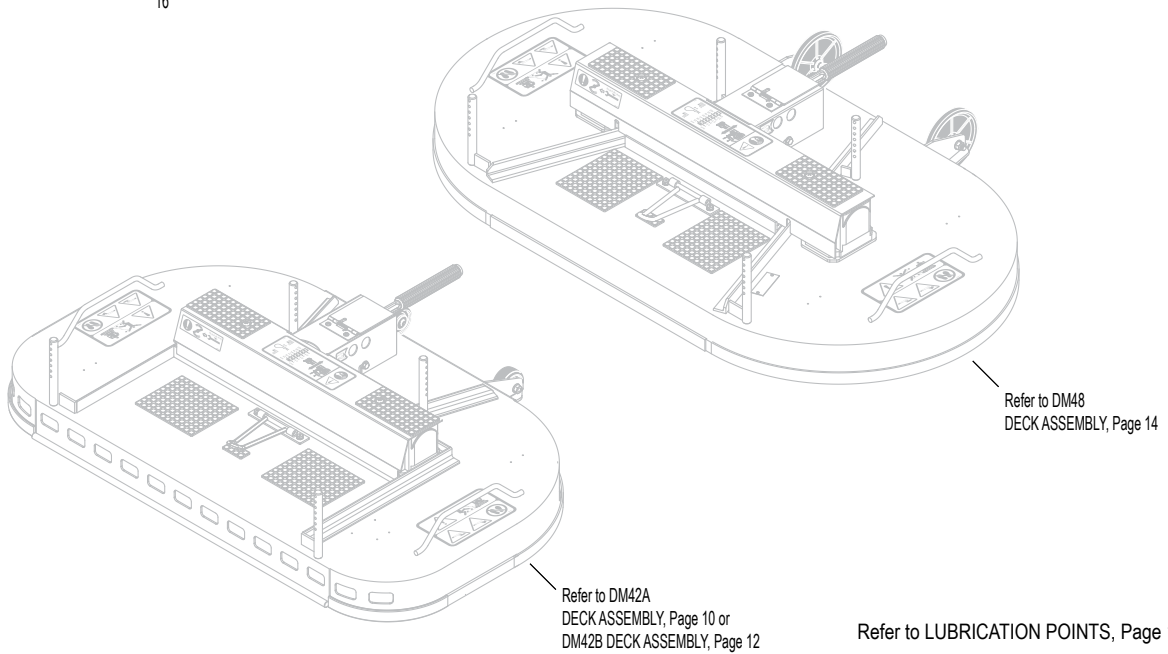
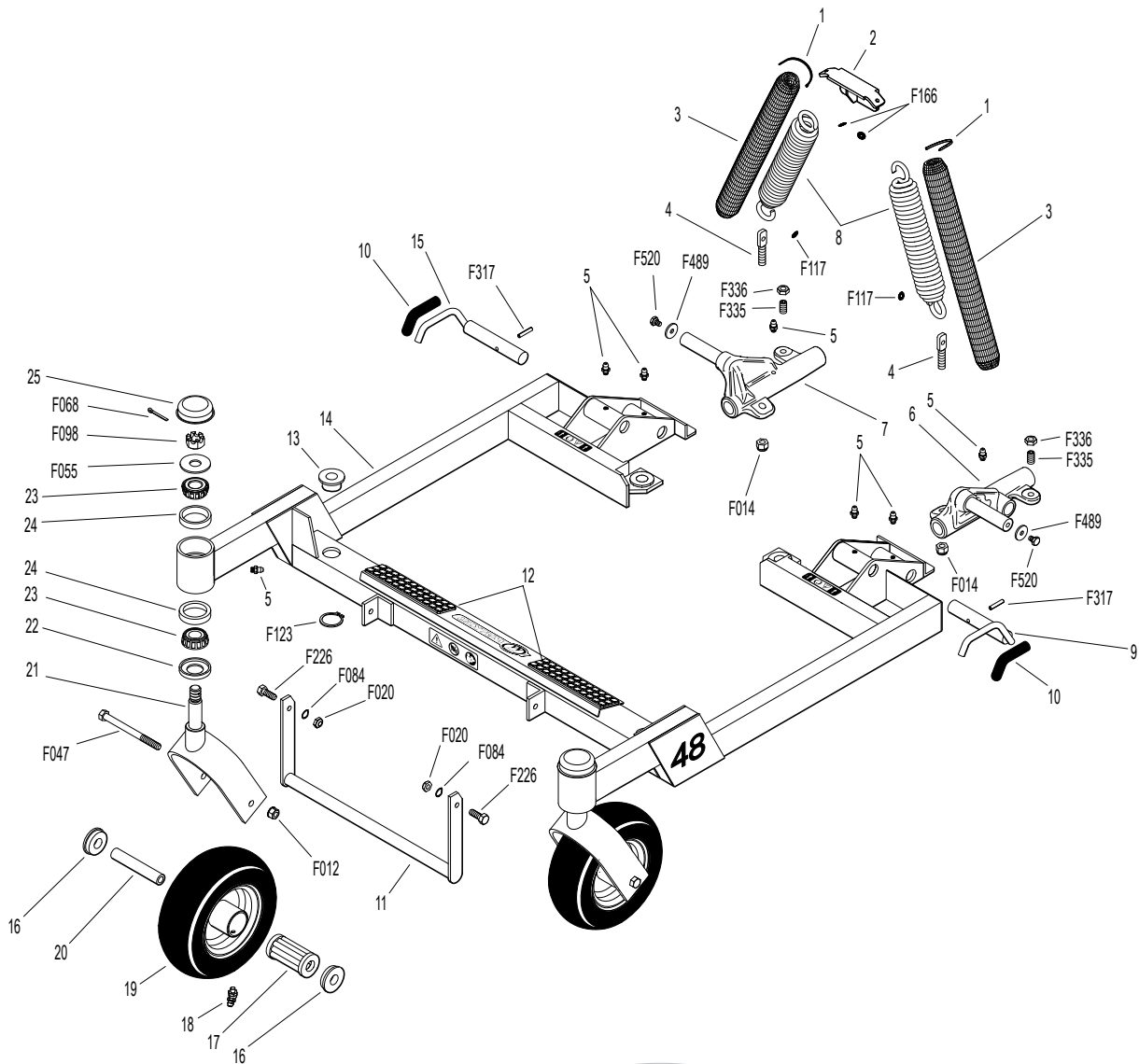
* Service Part Only

** May be ordered as a kit for dealer installation. Contact your Walker dealer.

*** Item used with DM42A and DM42B Mulching Decks only

NOTE: The 48 Inch Carrier Frame is also used on the DM42A Mulching Deck and DM42B Mulching Deck.

48 INCH COMPLETE CARRIER FRAME ASSEMBLY



DM42A DECK ASSEMBLY

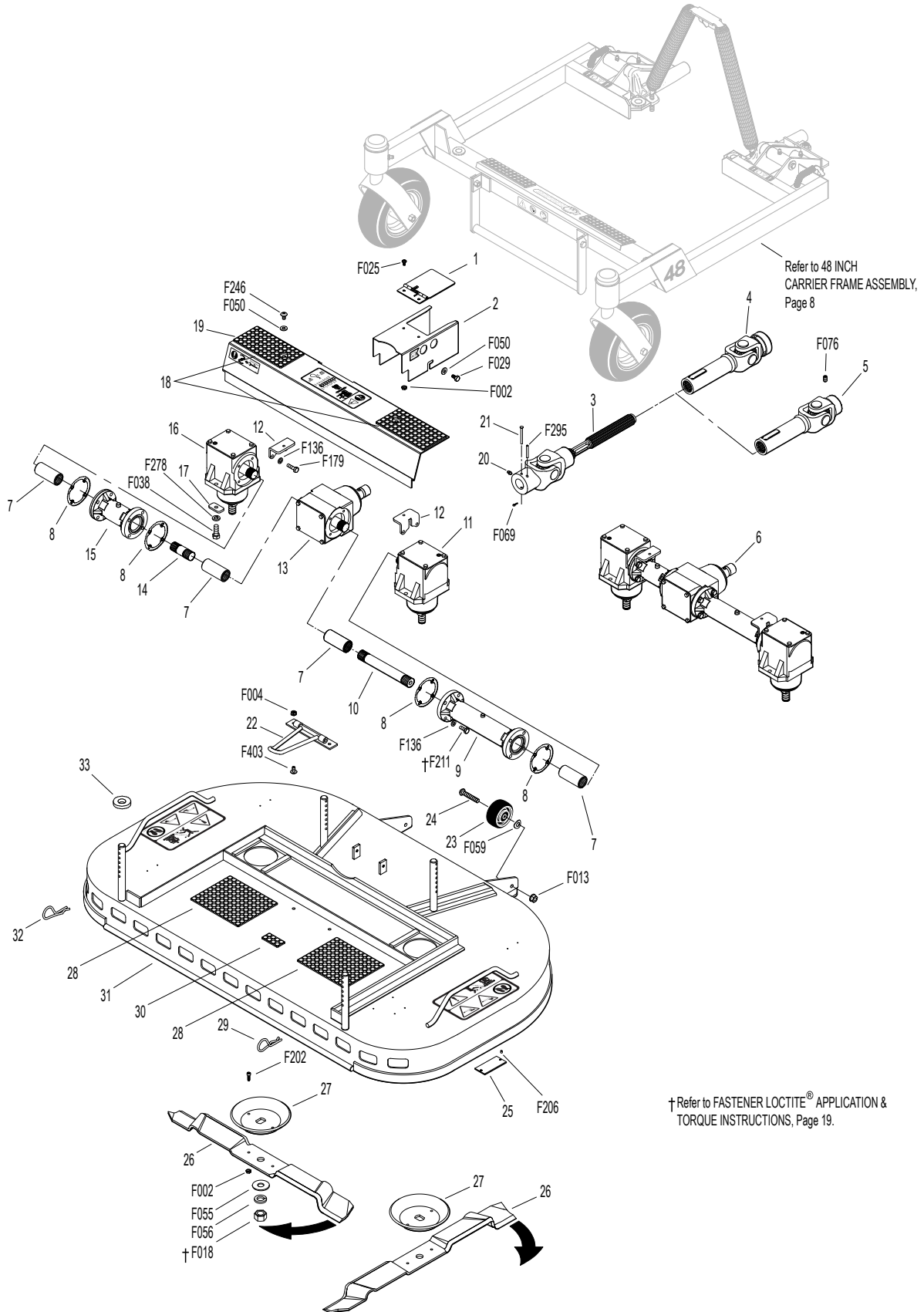
ITEM NO.	PART NO.	DESCRIPTION	NO. REQ'D	ITEM NO.	PART NO.	DESCRIPTION	NO. REQ'D
Gearbox and Drive Components				27	5706	Blade Hub & Trash Guard	2
1	8618-1	Cover, PTO Shaft Guard	1	28	8735-10	Rubber Mat (5 x 6)	2
2	8619	PTO Shaft Guard	1	29	7775-1	Hitch Pin, LH (Silver) #6	2
	8618	PTO Shaft Guard Assembly (Includes Items # 1, 2, F002 & F025)	*	30	8788-1	Rubber Mat (1 x 2)	1
3	5285-3	U-Joint Shaft, 90 Degree (14-7/8) (Includes Items # 21, F069 & F295)	1	31	5701-11	DML42A Deck Housing (Includes Items # 28 & 30)	1
4	7275-16	U-Joint Tube Assy, Spline	1	32	7775-2	Hitch Pin, RH (Gold) #6	2
5	5275-15	U-Joint Tube Assy (9.5" OAL), Spline (Includes Item # F076)	1	33	5727-1	Washer Shim (5/8 ID)	4
6	5704-55	42" Mulch Gearbox and Tube Assembly, HD (Includes Items # 7-16, F136, F179 & F211)	1	Fasteners			
7	6054	Spline Coupling	4	F002	10-24 Keps Nut		6
8	P007	Gasket, Cap (Peerless #788030)	4	F004	1/4-20 Keps Nut		2
9	5063	Gearbox Connector Tube (8-5/8)	1	F013	3/8-16 Whiz Locknut		2
10	6733-3	Connecting Shaft (6-1/4)	1	F018	5/8-18 Hex Nut		2
11	5052-8	HD Gearbox (LH Rotation)	1	F025	10-24 x 3/8 PPHMS		2
12	5704-1	Gearbox Cover Support	2	F029	1/4-20 x 1/2 Hex Bolt		2
13	5051-6	HD Tee Gearbox, Shear	1	F038	3/8-16 x 1 Hex Bolt		4
14	6733-1	Connecting Shaft (2")	1	F050	1/4 SAE Washer		4
15	5062	Gearbox Connector Tube (4-3/8)	1	F055	5/8 SAE Washer		2
16	5053-8	HD Gearbox (RH Rotation)	1	F056	5/8 Split Lock Washer		2
17	5052-3	1.375 x .750 x .187 Washer	4	F059	3/8 Wave Spring Washer		2
18	5747-11	Rubber Mat (3 x 6)	2	F069	3/32 x 1/2 Cotter Pin		1
19	5785-5	42" Gearbox Cover (Includes Item # 18)	1	F076	3/8-16 x 5/8 SQH Set Screw		*
20	5830	Grease Fitting	1	F136	AN960C416L Washer		16
21	8067-13	Shear Pin w/Cotter (Set of 5) (Includes Item # F069)	*	F179	1/4-20 x 1 Hex Bolt		4
Deck Housing Components				F202	10-24 x 5/8 SHC Screw, GR5 SS		4
22	8670	Tilt-Up Hook	1	F206	#2 x 3/16 Drive Pin		2
23	9772	Roller Wheel Assembly (2-1/2) (Includes Item # F059)	2	F211	1/4-20 x 7/8 Hex Bolt		12
24	8490-1	Roller Wheel Axle Bolt	2	F246	1/4-20 x 1/2 PTHMS		2
25	NS	Deck Serial Number Plate	1	F278	3/8 Split Lock Washer		4
26	5705-28	Blade 22" Mulch, Special	2	F295	3/16 x 1-1/2 Split Spring Pin		1
	5705-19	DML42A Blade Set W/Hubs (Includes Items # 26, 27, F002 & F202)	*	F403	1/4-20 x 1/2 PTHMS, SS		2

* Service Part Only

NOTE: Order Item # 4 to use the splined deck PTO shaft with Model T23, T25i, T30i, D21d, C19 and B19.

NOTE: Order Item # 5 to use the splined deck PTO shaft with Model S14 and B18.

DM42A DECK ASSEMBLY

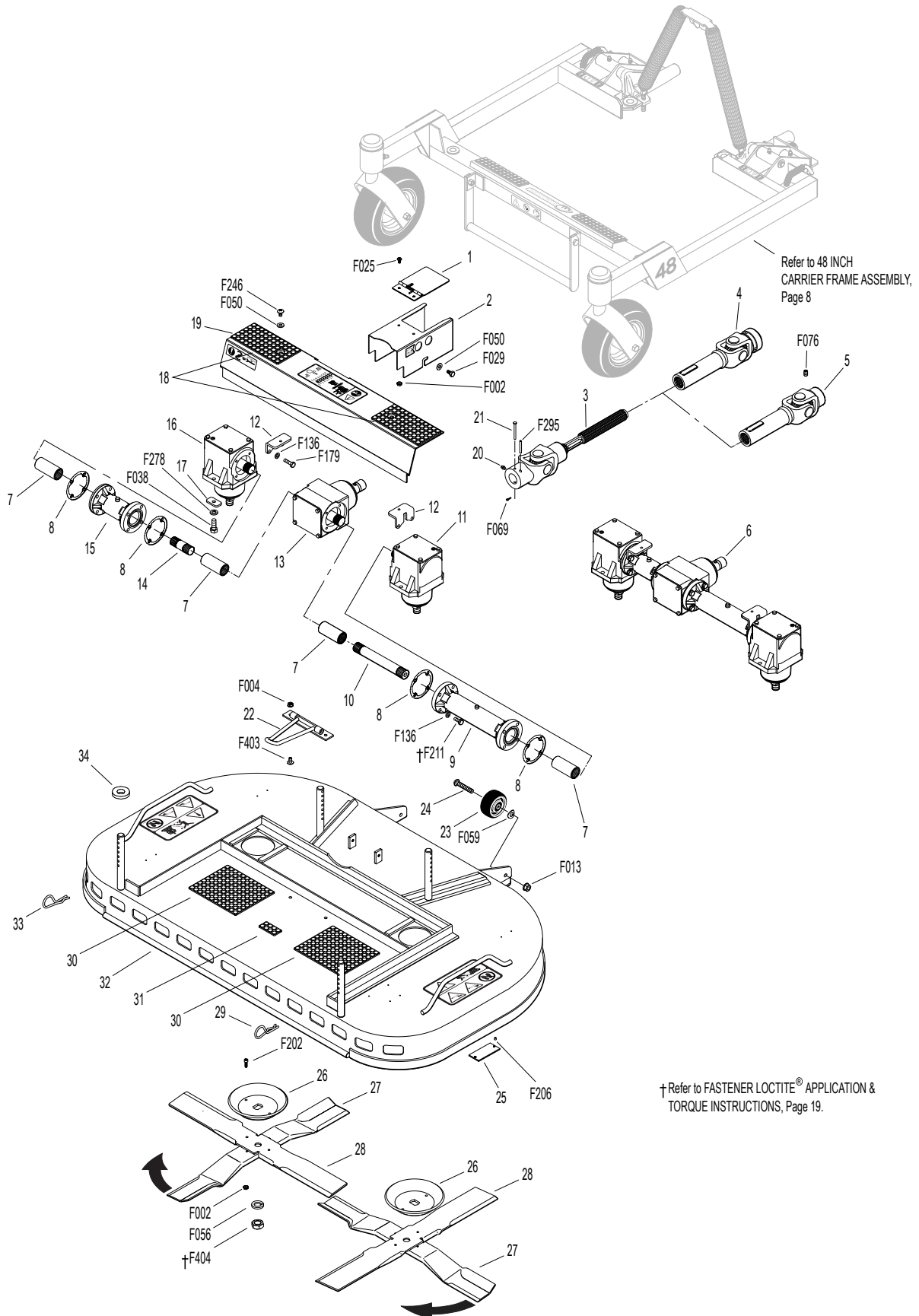


Refer to LUBRICATION POINTS, Page 16.

DM42B DECK ASSEMBLY

ITEM NO.	PART NO.	DESCRIPTION	NO. REQ'D	ITEM NO.	PART NO.	DESCRIPTION	NO. REQ'D	
Gearbox and Drive Components				28	5705-11	Blade, 22" (Upper Mulching)	2	
1	8618-1	Cover, PTO Shaft Guard	1		5705-12	42DML Blade Set W/Hubs (Includes Items # 26-28, F002 & F202)	*	
2	8619	PTO Shaft Guard	1	29	7775-1	Hitch Pin, LH (Silver) #6	2	
	8618	PTO Shaft Guard Assembly (Includes Items # 1, 2, F002 & F025)	*	30	8735-10	Rubber Mat (5 x 6)	2	
3	5285-3	U-Joint Shaft, 90 Degree (14-7/8) (Includes Items # 21, F069 & F295)	1	31	8788-1	Rubber Mat (1 x 2)	1	
4	7275-16	U-Joint Tube Assy, Spline	1	32	5701-13	DML42B Deck Housing (Includes Items # 30 & 31)	1	
5	5275-15	U-Joint Tube Assy (9.5" OAL), Spline (Includes Item # F076)	1	33	7775-2	Hitch Pin, RH (Gold) #6	2	
6	5704-54	42" Mulch Gearbox and Tube Assembly, HD (Includes Items # 7-16, F136, F179 & F211)	1	34	5727-1	Washer Shim (5/8 ID)	4	
7	6054	Spline Coupling	4	Fasteners				
8	P007	Gasket, Cap (Peerless #788030)	4		F002	10-24 Keps Nut	6	
9	5063	Gearbox Connector Tube (8-5/8)	1		F004	1/4-20 Keps Nut	2	
10	6733-3	Connecting Shaft (6-1/4)	1		F013	3/8-16 Whiz Locknut	2	
11	5052-5	HD Gearbox (LH Rotation)	1		F025	10-24 x 3/8 PPHMS	2	
12	5704-1	Gearbox Cover Support	2		F029	1/4-20 x 1/2 Hex Bolt	2	
13	5051-6	Tee Gearbox, Shear	1		F038	3/8-16 x 1 Hex Bolt	4	
14	6733-1	Connecting Shaft (2")	1		F050	1/4 SAE Washer	4	
15	5062	Gearbox Connector Tube (4-3/8)	1		F056	5/8 Split Lock Washer	2	
16	5053-5	HD Gearbox (RH Rotation)	1		F059	3/8 Wave Spring Washer	2	
17	5052-3	1.375 x .750 x .187 Washer	4		F069	3/32 x 1/2 Cotter Pin	1	
18	5747-11	Rubber Mat (3 x 6)	2		F076	3/8-16 x 5/8 SQH Set Screw	*	
19	5785-5	42" Gearbox Cover (Includes Item # 18)	1		F136	AN960C416L Washer	16	
20	5830	Grease Fitting	1		F179	1/4-20 x 1 Hex Bolt	4	
21	8067-13	Shear Pin w/Cotter (Set of 5) (Includes Item # F069)	*		F202	10-24 x 5/8 SHC Screw, GR5 SS	4	
Deck Housing Components						F206	#2 x 3/16 Drive Pin	2
22	8670	Tilt-Up Hook	1		F211	1/4-20 x 7/8 Hex Bolt	12	
23	9772	Roller Wheel Assembly (2-1/2) (Includes Item # F059)	2		F246	1/4-20 x 1/2 PTHMS	2	
24	8490-1	Roller Wheel Axle Bolt	2		F278	3/8 Split Lock Washer	4	
25	NS	Deck Serial Number Plate	1		F295	3/16 x 1-1/2 Split Spring Pin	1	
26	5706	Blade Hub & Trash Guard	2		F403	1/4-20 x 1/2 PTHMS, SS	2	
27	5705-10	Blade, 21" (Lower Mulching)	2		F404	5/8-18 Jam Nut	2	
				* Service Part Only				
				NOTE: Order Item # 4 to use the splined deck PTO shaft with Model T23, T25i, T30i, D21d, C19 and B19.				
				NOTE: Order Item # 5 to use the splined deck PTO shaft with Model S14 and B18.				

DM42B DECK ASSEMBLY



DM48 DECK ASSEMBLY

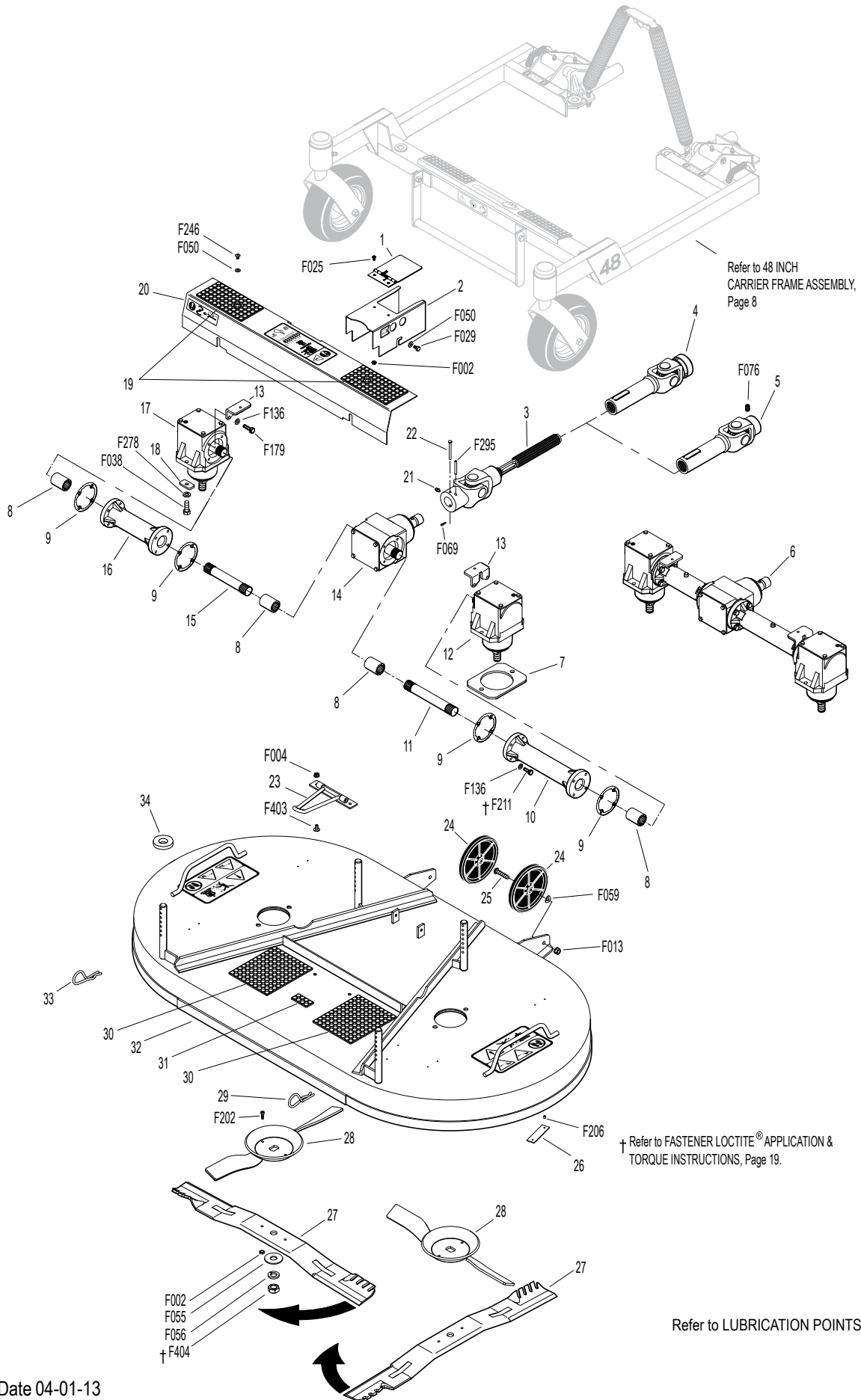
ITEM NO.	PART NO.	DESCRIPTION	NO. REQ'D	ITEM NO.	PART NO.	DESCRIPTION	NO. REQ'D
Gearbox and Drive Components				28	5706-6	Mulch Blade Hub	2
1	8618-1	Cover, PTO Shaft Guard	1	29	7775-1	Hitch Pin, LH (Silver) #6	2
2	8619	PTO Shaft Guard	1	30	8735-10	Rubber Mat (5 x 6)	2
	8618	PTO Shaft Guard Assembly (Includes Items # 1, 2, F002 & F025)	*	31	8788-1	Rubber Mat (1 x 2)	1
3	7285-15	U-Joint Shaft Assy, 90 Degree, Spline (Includes Items # 22, F069 & F295)	1	32	7702-11	48 DML Deck Housing (Includes Items # 30 & 31)	1
4	7275-16	U-Joint Tube Assy, Spline	1	33	7775-2	Hitch Pin, RH (Gold) #6	2
5	5275-15	U-Joint Tube (9.5" OAL), Spline (Includes Item # F076)	1	34	5727-1	Washer Shim (5/8 ID)	4
6	5704-61	HD Gearbox and Tube Assembly (Includes Items # 8-17, F136, F179 & F211)	1	Fasteners			
7	7600-20	Riser Plate (3/16)	2	F002	10-24 Keps Nut		6
8	6054	Spline Coupling	4	F004	1/4-20 Keps Nut		2
9	P007	Gasket, Cap (Peerless #788030)	4	F013	3/8-16 Whiz Locknut		2
10	5066	Gearbox Connector Tube (9-5/16)	1	F025	10-24 x 3/8 PPHMS		2
11	6733-6	Connecting Shaft (7")	1	F029	1/4-20 x 1/2 Hex Bolt		2
12	5052-5	HD Gearbox (LH Rotation)	1	F038	3/8-16 x 1 Hex Bolt		4
13	5704-1	Gearbox Cover Support	2	F050	1/4 SAE Washer		4
14	5051-6	HD Tee Gearbox, Shear	1	F055	5/8 SAE Washer		2
15	6733-2	Connecting Shaft (4-1/8)	1	F056	5/8 Split Lock Washer		2
16	5061	Gearbox Connector Tube (6-11/16)	1	F059	3/8 Wave Spring Washer		2
17	5053-5	HD Gearbox (RH Rotation)	1	F069	3/32 x 1/2 Cotter Pin		1
18	5052-3	1.375 x .750 x .187 Washer	4	F076	3/8-16 x 5/8 SQH Set Screw		*
19	5747-12	Rubber Mat (3 x 6)	2	F136	AN960C416L Washer		16
20	7785-3	48" Gearbox Cover (Includes Item # 19)	1	F179	1/4-20 x 1 Hex Bolt		4
21	5830	Grease Fitting	1	F202	10-24 x 5/8 SHC Screw, GR5 SS		4
22	8067-13	Shear Pin w/Cotter (Set of 5) (Includes Item # F069)	*	F206	#2 x 3/16 Drive Pin		2
Deck Housing Components				F211	1/4-20 x 7/8 Hex Bolt		12
23	8670	Tilt-Up Hook	1	F246	1/4-20 x 1/2 PTHMS		2
24	5162-11	Roller Wheel (5" Poly) (Includes Item # F059)	2	F278	3/8 Split Lock Washer		4
25	8490	Roller Wheel Axle Bolt	2	F295	3/16 x 1-1/2 Split Spring Pin		1
26	NS	Deck Serial Number Plate	1	F403	1/4-20 x 1/2 PTHMS, SS		2
27	7705-20	Blade 25", Mulch	2	F404	5/8-18 Jam Nut		2
	7705-21	48 DML Blade Set with Hubs (Includes Items # 27, 28, F002 & F202)	*	* Service Part Only			

* Service Part Only

NOTE: Order Item # 4 to use the splined deck PTO shaft with Model T23, T25i, T30i, D21d, C19 and B19.

NOTE: Order Item # 5 to use the splined deck PTO shaft with Model B18.

DM48 DECK ASSEMBLY



LUBRICATION POINTS

ITEM NO.	LOCATION	LUBRICATION TYPE	NO. PLACES
----------	----------	------------------	------------

ITEM NO.	LOCATION	LUBRICATION TYPE	NO. PLACES
----------	----------	------------------	------------

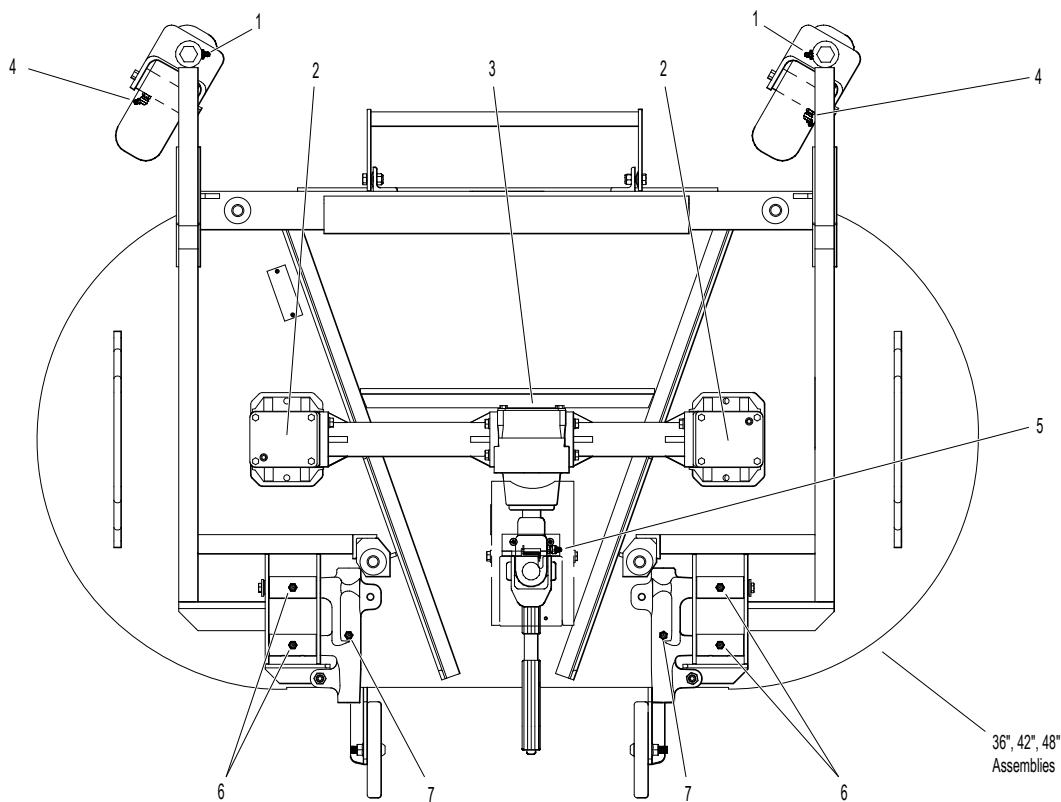
36", 42", 48" Assemblies

1	Deck Caster Wheel Fork Pivot	Grease	2
2	Blade Drive Gearbox	Oil*	2
3	Tee Gearbox, Deck	Oil*	1
4	Deck Caster Wheel Bearing	Grease	2
5	Universal Joint Shaft Assembly	Grease**	1
6	Pivot Assembly, Tilt-Up Deck	Grease	4
7	Deck Support Arm Socket	Grease	2

* Gearboxes are permanently lubricated and sealed requiring no scheduled lubrication. Oil level should be checked only when an oil leak is noted.

** Grease every eight (8) hours.

NOTE: Exact location of some Lubrication Points may vary slightly from those shown in the illustration. Model DM48 is shown for reference only; for further information on location of parts not shown here, refer to the parts listings for individual Carrier Frames and Deck Assemblies.



H24d, H25 AND H27i DECK ARM ADAPTER KIT

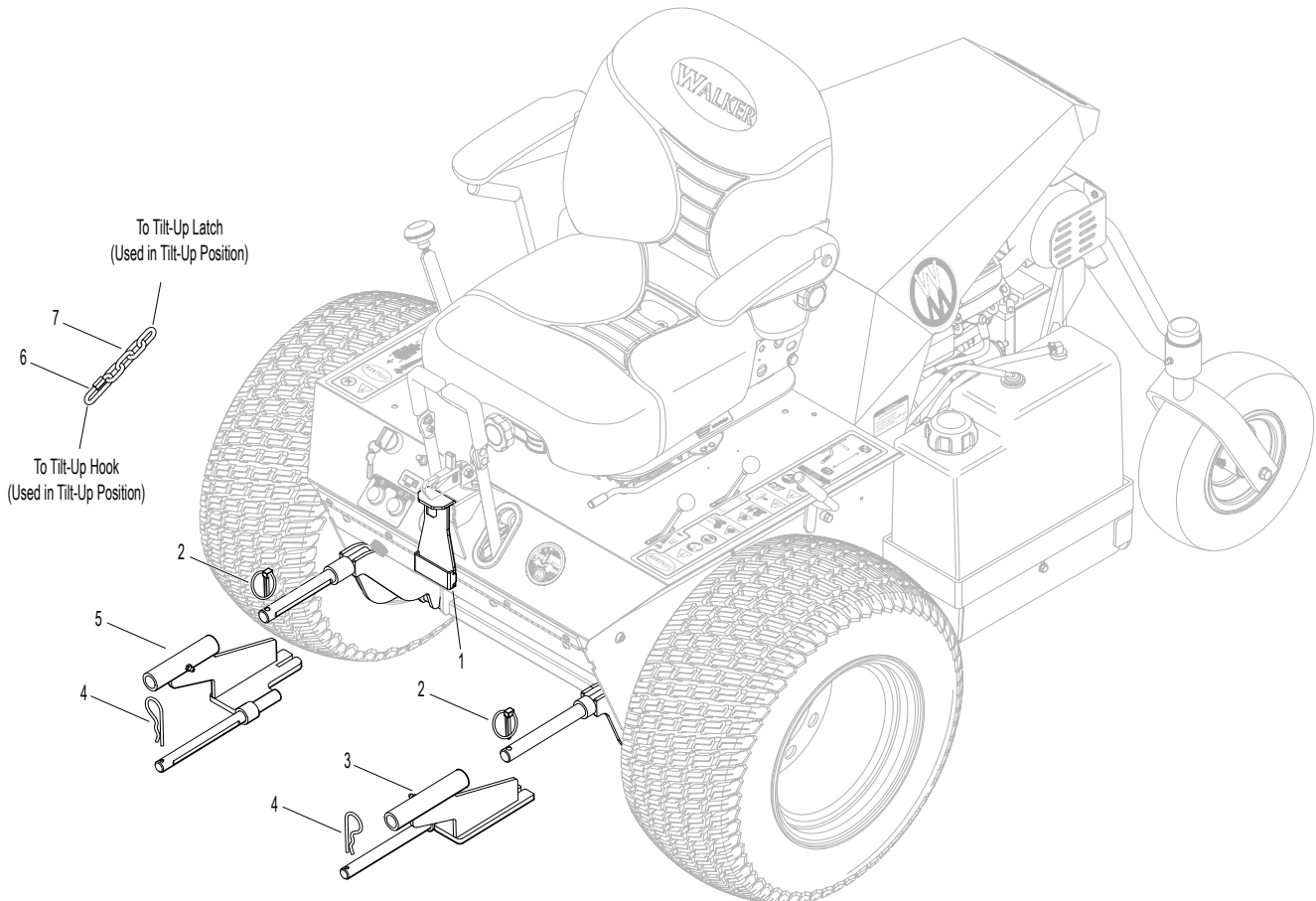
ITEM NO.	PART NO.	DESCRIPTION	NO. REQ'D	ITEM NO.	PART NO.	DESCRIPTION	NO. REQ'D
----------	----------	-------------	-----------	----------	----------	-------------	-----------

Kit 2430-10 Deck Arm Adapter Kit

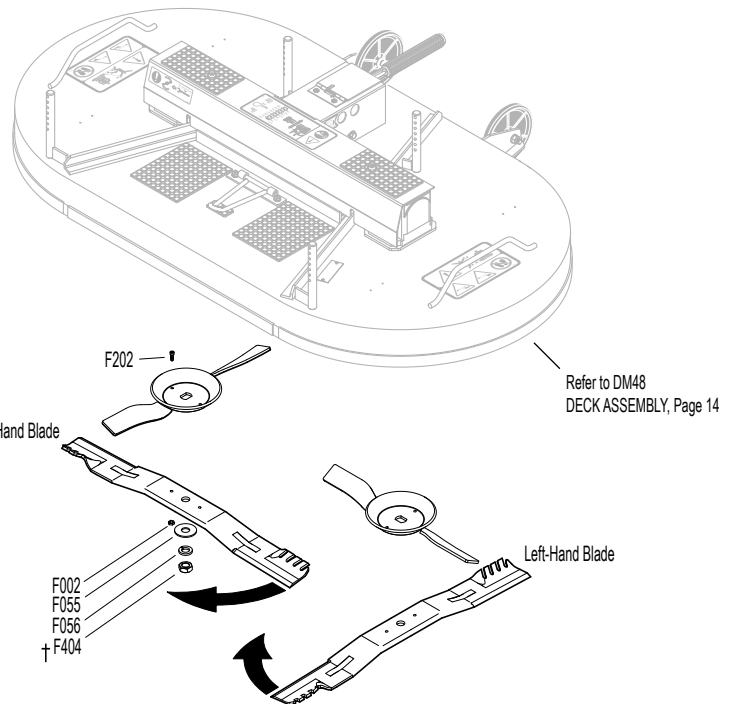
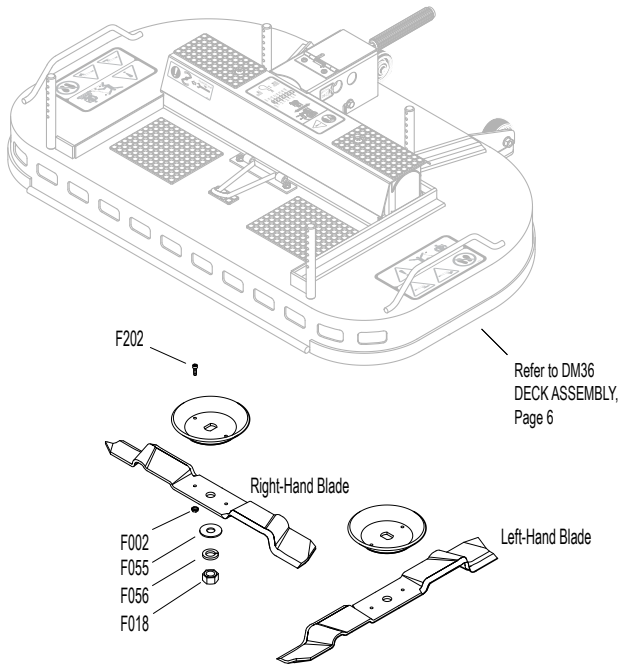
Includes Items # 1-7 and instructions. May be ordered as a kit for dealer installation. Contact your Walker dealer.

NOTE: Installation of 2430-10 on Walker Models H24d, H25 and H27i allows the use of the DM48 deck.

1	2744-2	Counter Weight Spring Extension	1
2	2775	Lynch Pin (5/16 x 1-1/4)	2
3	2431-1	Deck Arm Adapter, LH	1
4	5775-2	Hitch Pin (#6)	2
5	2430-1	Deck Arm Adapter, RH	1
6	2744-4	1/4" Quick Link	1
7	2744-5	Chain	1



BLADE USAGE CHART



TWO BLADE DECKS	RH BLADE	LH BLADE	BLADE SET
DM36	5705-23	5705-23	
DM42A	5705-28	5705-28	5705-19
DM42B	5705-11 (Upper Blade) 5705-10 (Lower Blade)	5705-11 (Upper (Blade) 5705-10 (Lower Blade)	5705-12
DM48	7705-20	7705-20	7705-21

Right hand and left hand orientated with operator on seat.

All blade sets include 5706 (Blade Hub & Trash Guard), F002 & F202 unless otherwise specified.

FASTENER LOCTITE® APPLICATION & TORQUE INSTRUCTIONS

ITEM NO.	DESCRIPTION
----------	-------------

HD Gear Drive Assemblies DM42A, DM42B, DM48

- 1 Apply Loctite® Threadlocker # 242 (Blue) to Item # 1 used on HD Gearbox Connector Tubes. Torque to 115 lb·in. (13.0 N·m).

DM36 Gear Drive Assembly

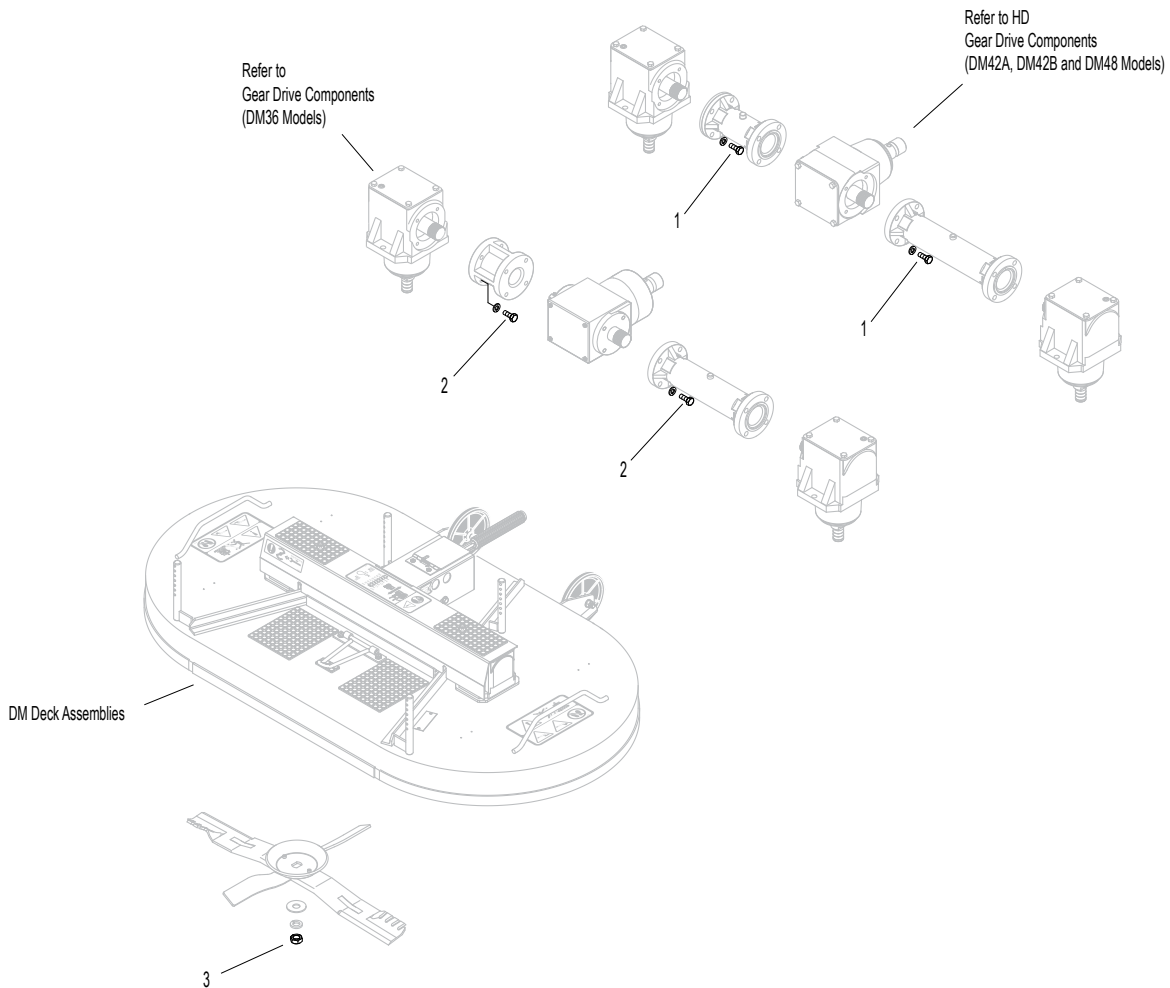
- 2 Apply Loctite® Threadlocker # 242 (Blue) to P/N F211 (1/4-20 x 7/8 Hex Bolt, used on Gearbox Connector Tubes) prior to assembly. Torque to 90 lb·in. (10.2 N·m).

ITEM NO.	DESCRIPTION
----------	-------------

DM Deck Assemblies

- 3 Torque P/N F018 (5/8-18 Hex Nut) or F404 (5/8-18 Jam Nut, used on underside of blades) to 60 lb·ft (81.4 N·m). **DO NOT** apply Loctite®.

NOTE: Model DM48 is shown here. Refer to individual deck assemblies for exact locations and quantities of items listed above.



MAINTENANCE AND SERVICE RECORD SHEET

DATE	SERVICE ITEM	ENGINE HOURS

DECK / TRACTOR COMPATIBILITY CHART

	DM36	DM42A	DM42B	DM48
B18	X	X	X	X
B19	X	X	X	X
B23i	X	X	X	X
S14 GHS	*	*	*	
C19 GHS	*	*	*	*
T23 SD	X	X	X	X
T23 GHS	*	*	*	*
T25i SD	X	X	X	X
T25i GHS	*	*	*	*
T30i SD	X	X	X	X
T30i GHS	*	*	*	*
D21d SD	X	X	X	X
D21d GHS	*	*	*	*
H25				**
H27i				**
H24d				**
	X Deck and tractor are fully compatible. * When using this deck on GHS tractors, installation of P/N 7541 (Blower Lockout Kit) is recommended. Contact your Walker dealer. ** Decks that are compatible with Models H24d, H25 and H27i using Kit # 2430-10 (Deck Arm Adapter Kit).			

LIMITED WARRANTY FOR WALKER COMMERCIAL RIDER MOWER

1. WHAT THIS WARRANTY COVERS, AND FOR HOW LONG:

Walker Manufacturing company will, at its option, repair or replace, without charge, any part covered by this warranty which is found to be defective in material and/or workmanship within one (1) year after date of sale to the original retail purchaser unless the product is used for rental purposes, in which case this warranty is limited to ninety (90) days. At Walker's request, customer will make the defective part available for inspection by Walker and/or return the defective part to Walker, transportation charges prepaid. All parts and components of the Walker Mower are covered by this warranty.

2. WHAT THIS WARRANTY DOES NOT COVER:

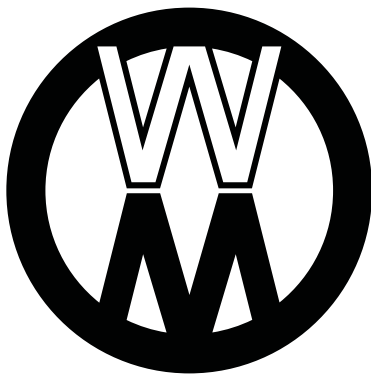
- A. This warranty does not cover defects caused by depreciation or damage caused by normal wear, accidents, improper maintenance, improper use or abuse of the product, alterations, or failure to follow the instructions contained in the Operator's Manual for operation and maintenance.
- B. The customer shall pay any charges for making service calls and/or for transporting the mower to and from the place where the inspection and/or warranty work is performed.

3. HOW TO OBTAIN SERVICE UNDER THIS WARRANTY:

Warranty service can be arranged by contacting the dealer where you purchased the mower or by contacting Walker Manufacturing Company, 5925 East Harmony Road, Ft. Collins, CO 80528. Proof of the date of purchase may be required to verify warranty coverage.

4. WARRANTY LIMITATION:

- A. **THERE IS NO OTHER EXPRESS WARRANTY. ANY WARRANTY THAT MAY BE IMPLIED FROM THIS PURCHASE INCLUDING MERCHANTABILITY AND FITNESS FOR A PARTICULAR PURPOSE IS HEREBY LIMITED TO THE DURATION OF THIS WARRANTY AND TO THE EXTENT PERMITTED BY LAW ANY AND ALL IMPLIED WARRANTIES ARE EXCLUDED.** Some states do not allow limitations on how long an implied warranty lasts, so the above limitations may not apply to you.
- B. **WALKER WILL NOT BE LIABLE FOR ANY INCIDENTAL, CONSEQUENTIAL, OR SPECIAL DAMAGES AND/OR EXPENSES IN CONNECTION WITH THE PURCHASE OR USE OF THE MOWER.** Some states do not allow the exclusion or limitation of incidental or consequential damages, so the above limitation(s) or exclusion(s) may not apply to you.
- C. Only the warranty expressed in this limited warranty shall apply and no dealer, distributor, or individual is authorized to amend, modify, or extend this warranty in any way. Accordingly, additional statements such as dealer advertising or presentations, whether oral or written, do not constitute warranties by Walker, and should not be relied upon.
- D. This warranty gives you specific legal rights, and you may also have other rights which vary from state to state.



WALKER

WALKER MFG. CO. • 5925 E. HARMONY ROAD, FORT COLLINS, CO 80528 • (970) 221-5614
PRINTED IN USA www.walkermowers.com ©2014 WALKER MFG. CO