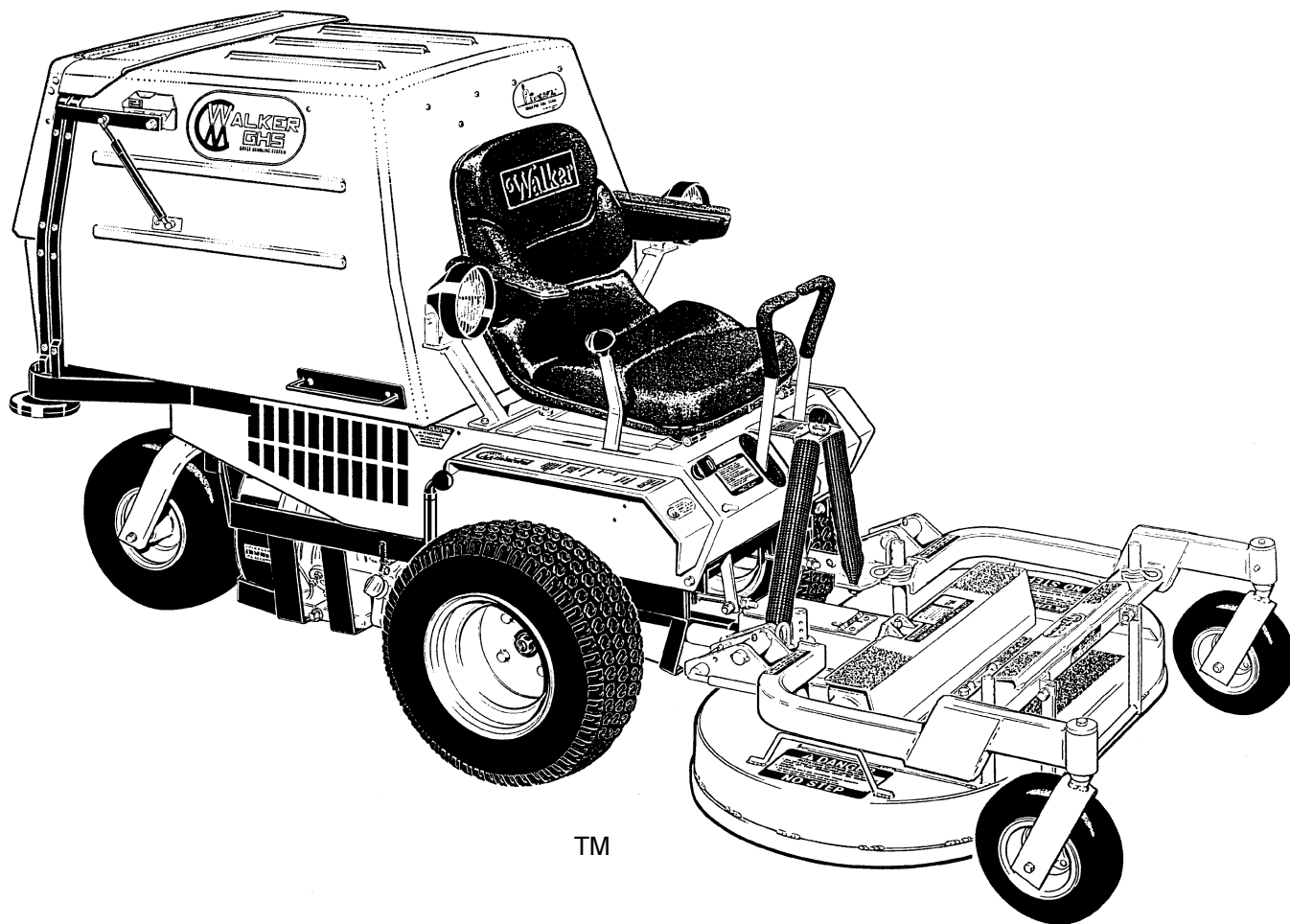


Walker Rider Lawnmowers

ILLUSTRATED PARTS MANUAL

Model MS (11.1 HP)
(Covers Serial Numbers 95-20381 and on)



CE

Effective Date:
11-05-97

P/N 5000-2
Price \$5.00

KEY TO ABBREVIATIONS USED IN THIS MANUAL

<i>Abbreviation</i>	<i>What it Represents</i>
AT	All-Terrain
CCW	Counter-clockwise
Conn.	Connector
CW	Clockwise
DGHS	Deck, Grass Handling System (number refers to size in inches)
DML	Deck, Mulching (number refers to size in inches)
DSD	Deck, Side Discharge (number refers to size in inches)
ESNA (Fastener)	Nylon Insert Locknut
FSC	Forward Speed Control
GA	Gauge
gal.	gallon
GHS	Grass Handling System
GR (Fastener)	Grade
ID	Inside Diameter
" or in. (Dimension)	inches
LH	Left Hand (orientated with operator on seat)
mm (Dimension)	millimeters
MS (Fastener)	Machine Screw
NPT	National Pipe Thread
NS (as part number)	Item is not sold by Walker Manufacturing
OD	Outside Diameter
oz.	ounce
PFHMS (Fastener)	Phillips Flat Head Machine Screw
P/N	Part Number
PPHMS (Fastener)	Phillips Pan Head Machine Screw
PPHSM (Fastener)	Phillips Pan Head Sheet Metal (Screw)
PPHST (Fastener)	Phillips Pan Head Self-Tapping (Screw)
PTHMS (Fastener)	Phillips Truss Head Machine Screw
PTO	Power Take-Off
QKS	Quick Slide
qt.	quart
RH	Right Hand (orientated with operator on seat)
SAE (Fastener)	Society of Automotive Engineers
SBH (Fastener)	Socket Button Head (Bolt)
SD	Side Discharge
SFH (Fastener)	Slotted Flat Head
SHC (Fastener)	Socket Head Cap
SHL (Fastener)	Shoulder (Bolt)
S/N	Serial Number
Spg.	Spring
SQH (Fastener)	Square Head
SS (Fastener)	Stainless Steel
Term.	Terminal

ILLUSTRATED PARTS LIST

<i>Section of Mower Covered</i>	<i>Page</i>	<i>Section of Mower Covered</i>	<i>Page</i>
Decals		GHS 6.7 Bushel Catcher &	
Tractor Decals.....	2	Exhaust Deflector Assemblies.....	28
Body / Chassis Assemblies		Electrical Assembly	30
Body / Chassis Assembly (GHS Models).....	4	Electrical Connectors	32
Body Assembly (SD Models)	6*	Special Options	
Tractor Components		5989 Light Kit	34
Main Component Power Transmission		5885 Armrest Kit & Walker Touch-Up Paint.....	36
(GHS Models).....	8	Optional Tires & Tire Chain Sets	38
(SD Models).....	10	Maintenance	
Engine Group.....	12	Lubrication Points.....	40
Hydrostatic Ground Drive Assemblies		Wiring Schematic	42
(Standard - Chain Drive).....	14	Operator's Notes	
(GD6200 - Gear Drive Option).....	16	43	
Parking Brake Assembly	18**	Warranty	
Steering Control Assemblies.....	20	Limited Warranty	45
Throttle & Choke Control Assemblies	22	* Refer to GHS Body Assembly (Page 4) for all	
GHS Group	24	common parts used on both models.	
GHS Powerfil® Assembly.....	26	** Available only on models equipped with GD6200	
		Gear Drive Option (Page 16).	

TRACTOR DECALS

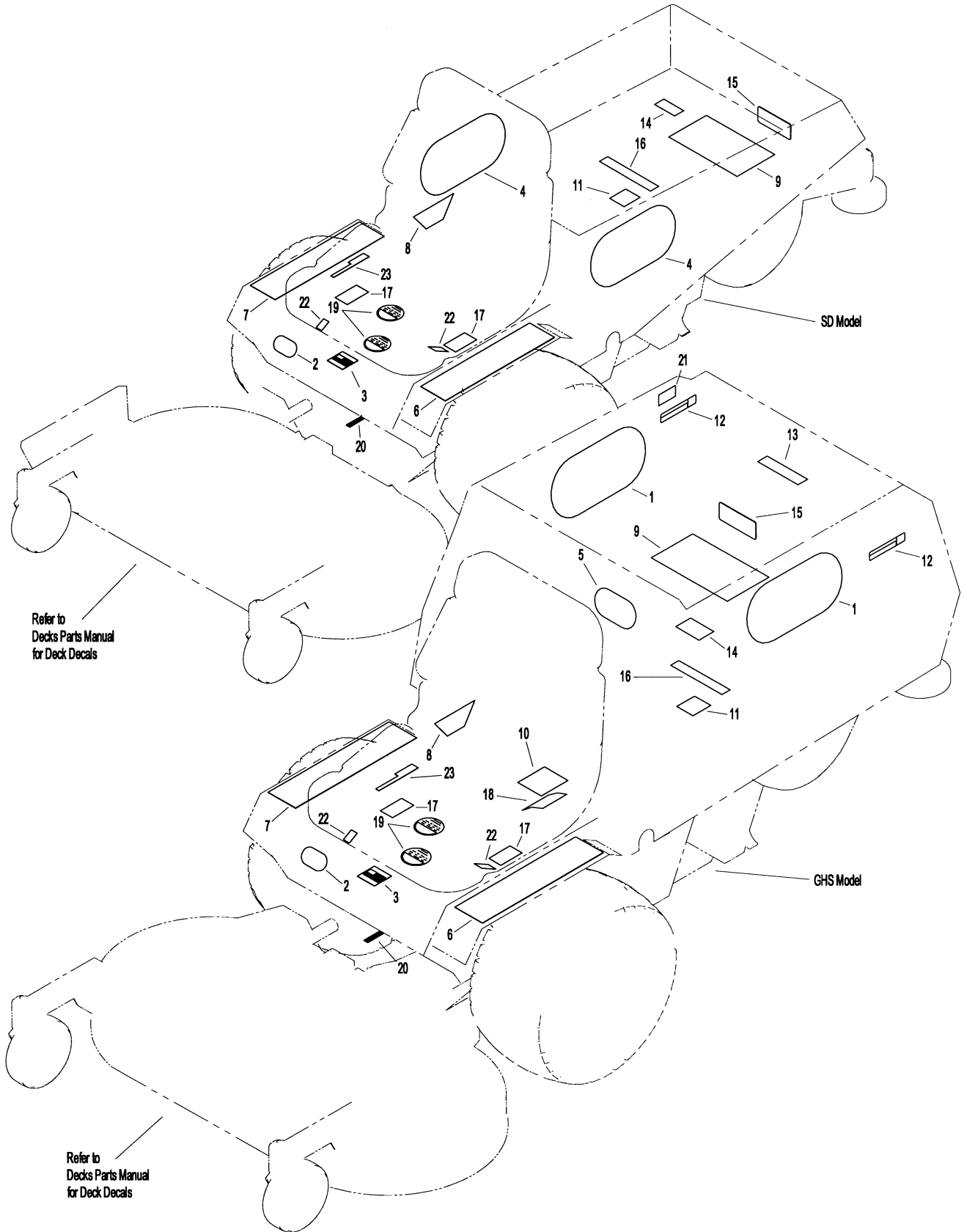
ITEM NO.	PART NO.	DESCRIPTION	LOCATION	NO. REQ'D. GHS	NO. REQ'D SD
Walker Product Decals					
1	5801	GHS	6.7 Bushel Catcher (one on each side)	2	0
2	5803	Walker Manufacturing Logo	Body	1	1
3	5856	Made in USA	Body, Spring Bracket	1	1
4	5800	Walker Mower (4 x 7-1/2)	Utility Bed (one on each side)	0	2
5	5813-1	Powerfil®	6.7 Bushel Catcher, Front	1	0
6	5802-2	LH Fender	Body, LH near Seat	1	1
7	5802-1	RH Fender	Body, RH near Seat	1	1
8	5806	Blade Clutch	Body, RH Side	1	1
Danger Decals Warning Decals Caution Decals					
9	5861	Danger, Raised Body	Body - Underside, Center	1	1
10	5804	Warning, Rotating Blower Blades	Body near Body Chute	1	0
11	6810	Danger, Engine Exhaust	Engine	1	1
12	5868	Danger, Pinch Point	6.7 Bushel Catcher Mounting Frame Assembly (one on each side)	2	0
Maintenance Decals					
13	5869	Removable Screen	6.7 Bushel Catcher Removable Screen	1	0
14	5838	Gates Belts	Body - Underside, Center	1	1
15	5815	Body Lift	Rear Bumper	1	1
16	5855	Important, Engine Cooling	Engine	1	1
17	5821	Chain Guard	Top of Chain Guard (Chain Drive Models only)	2	2
18	5819	Blower Maintenance	Blower Housing	1	0
19	5810	Reservoir	Hydrostatic Drives (one on each)	2	2
20	6875	PTO Alignment Arrow	Universal Joint Tube Assembly	1	1
21	5874	Push to Release	6.7 Bushel Catcher Safety Latch	1	0
Option Decals*					
22	5810-1	Axle Oil Level	Gear Axle Drive Assemblies (one on each, Gear Drive only)	2**	2**
23	7809	Parking Brake	Body, RH below seat (Gear Drive Models only)	1	1

* Option Decals applied only to units with corresponding Options installed.

** When GD6200 Gear Drive Option is purchased, these decals replace Chain Guard Decals used on Standard Chain-Drive Models. Parking Brake Assembly and Decal are also included on all models with GD6200 Gear Drive Option.

NOTE: All parts requiring decals are shipped with decals applied.

TRACTOR DECALS



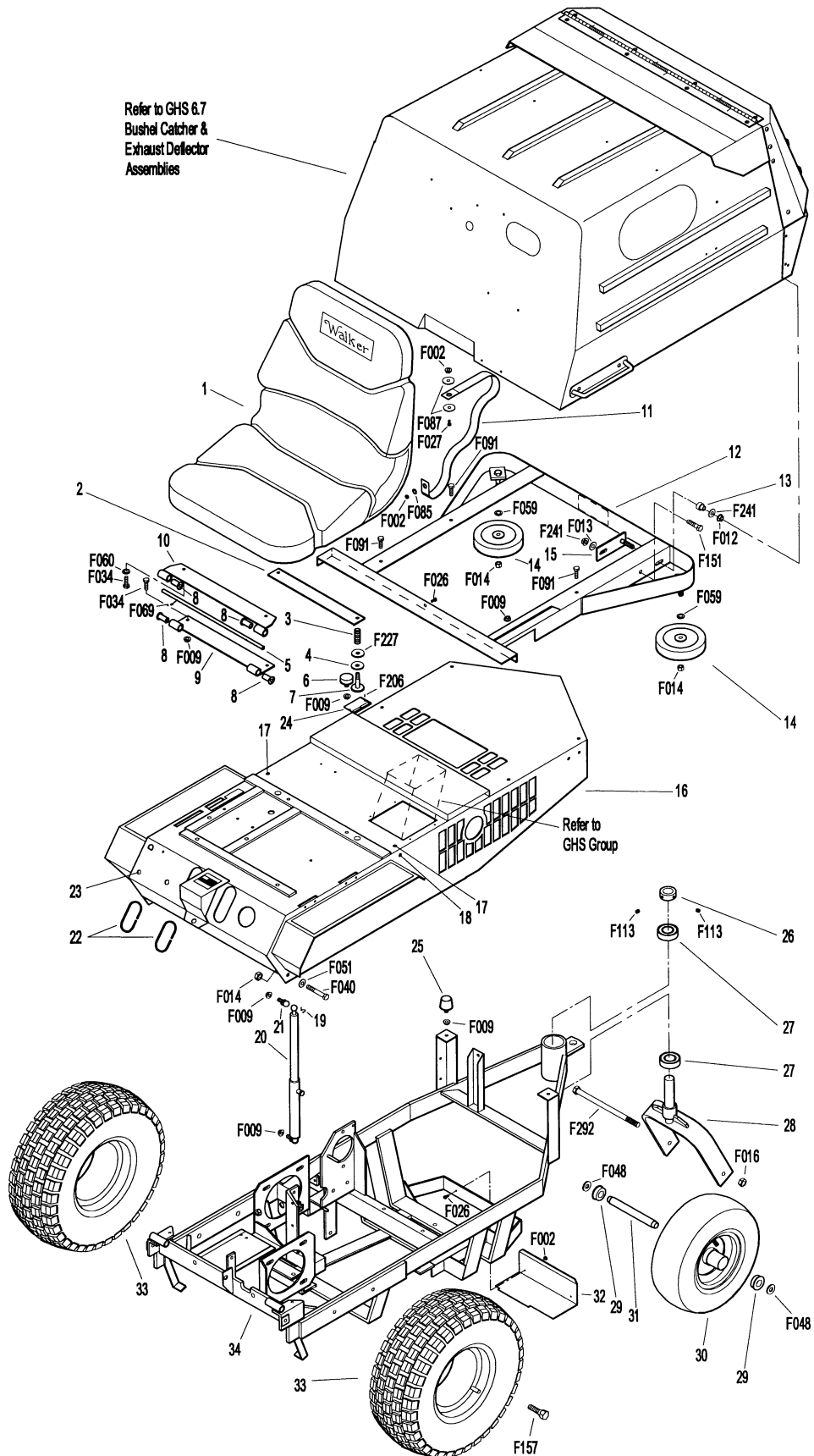
BODY / CHASSIS ASSEMBLY (GHS MODELS)

ITEM NO.	PART NO.	DESCRIPTION	NO. REQ'D	ITEM NO.	PART NO.	DESCRIPTION	NO. REQ'D
Seat Assembly				30	5035	Tail Wheel & Tire Assembly (13 x 6.50-6)	1
1	5103	Seat	1		5035-1	Tire Only (13 x 6.50-6)	*
2	7203	Seat Spring Plate	1		5036	Wheel & Hub Only (6 x 4.5)	*
3	7223	Compression Spring (1/2 x 1)	2	31	5038-1	Axle Spacer Tube (6-5/8)	1
4	7846	Rubber Washer (3/8 ID x 1-1/4 OD x 1/8)	2	32	5127	Trash Guard	1
5	7205-5	Pivot Pin	1	33	5033-2	Wheel & Tire Assembly (18 x 6.50-8)	2
6	7845	Rubber Bumper (1.375 OD x .63)	2		5030-2	Tire Only (18 x 6.50-8)	*
7	7204	Shoulder Bolt, Seat Mount	2		5031-2	Wheel Only (8 x 5.5)	*
8	5103-2	Pivot Bushing	4		5030-4	Tire Tube (18 x 8.50-8)	*
9	7205-1	Lower Plate, Seat Hinge	1	34	5300-8	Chassis Frame	1
10	7205-2	Upper Plate, Seat Hinge	1	Fasteners			
	7205	Seat Hinge Assembly (Includes Items # 5, 8, 9, 10 & F069)	*		F002	10-24 Keps Nut	4
Rear Bumper Assembly (GHS Models Only)**					F009	5/16-18 Whiz Locknut	12
11	5566	Tilt Stop Strap	1		F012	3/8-16 Keps Nut	2
12	5516	Rear Bumper (6.7)	1		F013	3/8-16 Whiz Locknut	2
13	7516-5	Catcher Pivot Bushing	2		F014	3/8-16 ESNA Nut	4
14	5162	Roller Wheel (5")	2		F016	1/2-13 Self-Locking Nut	1
15	7517-2	Catcher Pivot Plate	2		F026	10-24 x 1/2 PPHMS	3
Body Assembly					F027	10-24 x 5/8 PPHMS	1
16	5100-5	Welded Body	1		F034	5/16-18 x 3/4 Hex Bolt	4
17	5989-3	Dome Plug (5/16)	2		F040	3/8-16 x 1-1/2 Hex Bolt	2
18	5989-4	Dome Plug (3/8)	2		F048	1/2 SAE Washer	2
19	7147	Spring Clip	2		F051	3/8 SAE Washer	2
20	5145	Gas Spring Assembly (Includes Items # 19 & 21)	1		F059	3/8 Wave Spring Washer	2
21	7146	13mm Ball Stud	2		F060	AN960516 Washer	2
22	5180	Edge Molding, Lever Opening	2		F069	3/32 x 1/2 Cotter Pin	2
23	5989-5	Dome Plug (7/16)	1		F085	3/16 Rivet Backup Washer	1
24	NS	Body ID Plate	1		F087	#10 x 7/8 Fender Washer	2
Chassis Assembly					F091	5/16-18 x 5/8 Hex Bolt	4
25	5845	Rubber Bumper (1.50 OD x 1.25)	2		F113	5/16-18 x 5/16 Set Screw	2
26	5267-1	Retainer Collar (1") (Includes Item # F113)	1		F151	3/8-16 x 7/8 Hex Bolt	2
27	5270-1	Pivot Bearing	2		F157	1/2-20 x 1-1/4 Wheel Lug Bolt	8
28	5420-2	Tail Wheel Fork	1		F206	#2 x 3/16 Drive Pin	2
29	5037-1	Bearing	2		F227	3/8 x 1-1/4 x 1/8 Plastic Washer	2
					F241	.375 x .875 x .10 Washer	4
					F292	1/2-13 x 8-1/2 Hex Bolt GR 2	1
				* Service Part Only			
				** Rear Bumper Assembly for SD Models is not shown here. Refer to Body Assembly (SD Models), Page 6.			
				NOTE: Decals for this assembly are not shown here. Refer to Tractor Decals (Page 2) for Decal listing and placement information.			

Use only genuine **Walker** replacement parts.

Effective Date 11-05-97

BODY / CHASSIS ASSEMBLY (GHS MODELS)



BODY ASSEMBLY (SD MODELS)

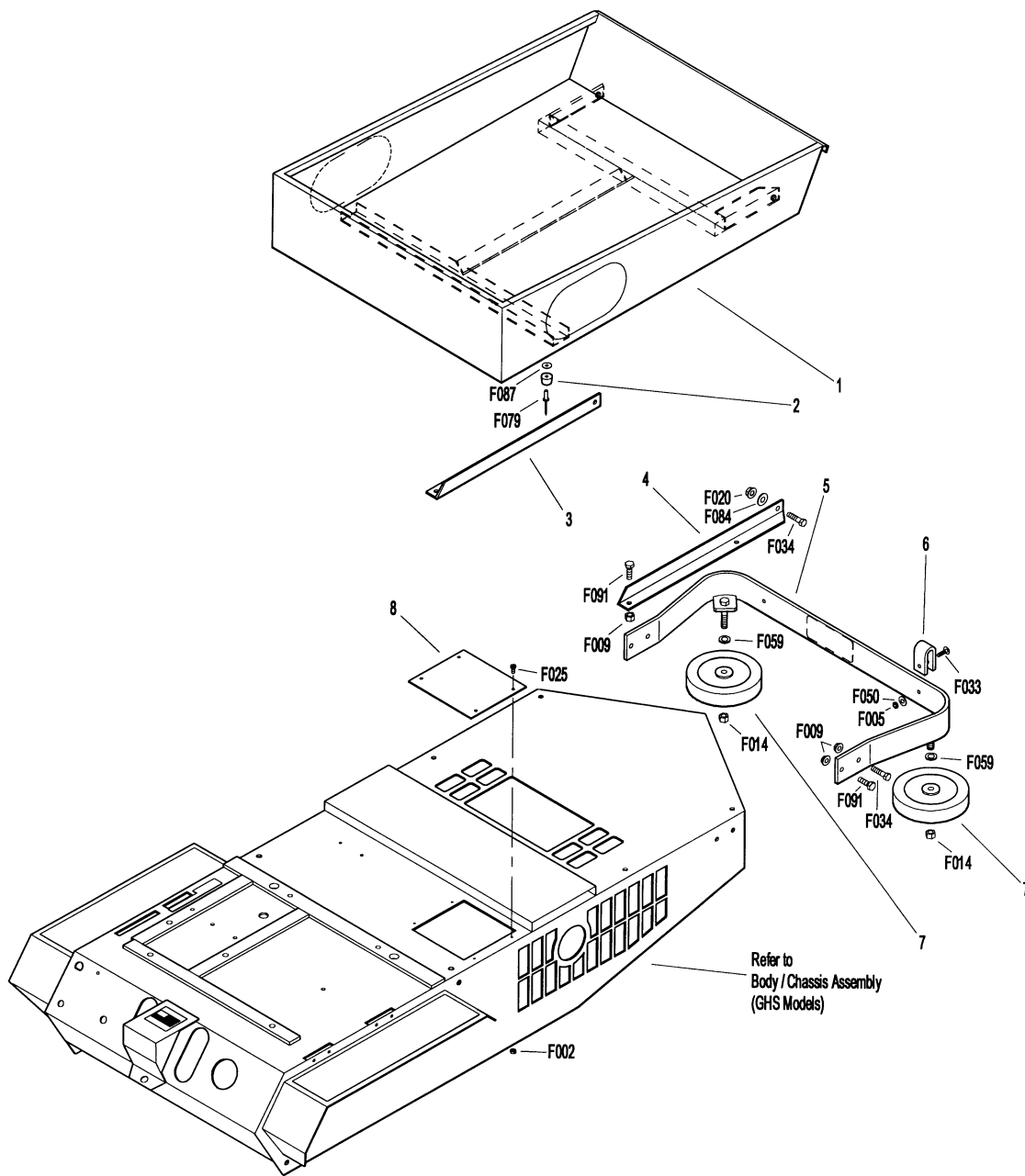
ITEM NO.	PART NO.	DESCRIPTION	NO. REQ'D	ITEM NO.	PART NO.	DESCRIPTION	NO. REQ'D
Utility Bed Assembly				Fasteners			
1	5650	Utility Bed	1	F002		10-24 Keps Nut	4
2	5588	Rubber Bumper (.75 OD x .50)	3	F005		1/4-20 ESNA Nut	2
3	5651	Utility Bed Mount, RH	1	F009		5/16-18 Whiz Locknut	8
4	5652	Utility Bed Mount, LH	1	F014		3/8-16 ESNA Nut	2
Rear Bumper Assembly (SD Models Only)*				F020		5/16-18 ESNA Nut	2
5	5112	Rear Bumper	1	F025		10-24 x 3/8 PPHMS	4
6	5161	Bumper Pad	2	F033		1/4-20 x 1 PTH Bolt	2
7	5162	Roller Wheel (5")	2	F034		5/16-18 x 3/4 Hex Bolt	4
8	5153-2	Cover Plate	1	F050		1/4 SAE Washer	2
				F059		3/8 Wave Spring Washer	2
				F079		A/A66D Aluminum Pop Rivet	3
				F084		5/16 Wave Spring Washer	2
				F087		#10 x 7/8 Fender Washer	3
				F091		5/16-18 x 5/8 Hex Bolt	6

* Rear Bumper Assembly for GHS Models is not shown here. Refer to Body / Chassis Assembly (GHS Models), Page 4.

NOTE: Refer to Body / Chassis Assembly (GHS Models), Page 4, for all common parts used on both models.

NOTE: Decals for this assembly are not shown here. Refer to Tractor Decals (Page 2) for Decal listing and placement information.

BODY ASSEMBLY (SD MODELS)



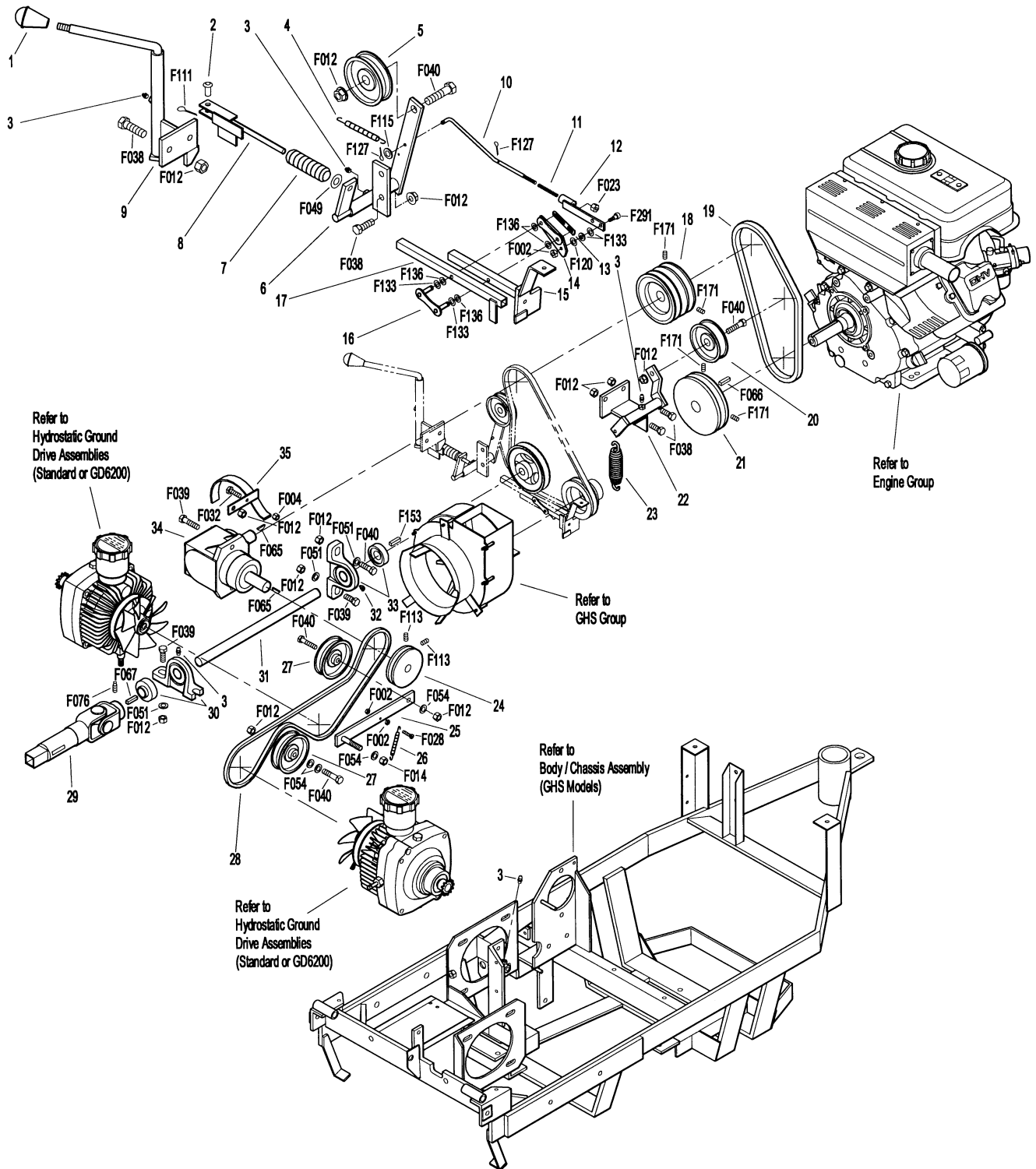
MAIN COMPONENT POWER TRANSMISSION (GHS MODELS)

ITEM NO.	PART NO.	DESCRIPTION	NO. REQ'D	ITEM NO.	PART NO.	DESCRIPTION	NO. REQ'D
Clutch Control Assembly				30	5264	Pillowblock Bearing, Short Mount (Includes Item # 3)	1
1	5860	Knob, PTO Clutch	1	31	5274	PTO Drive Shaft	1
2	5281-2	Clevis Pin (5/16 x 7/8)	1	32	5830-4	Grease Fitting (90 Degree)	1
3	5830	Grease Fitting	5	33	5263	Pillowblock Bearing (Includes Item # 32)	1
4	5229	Extension Spring (1/2 x 2-1/4)	1	34	5050-1	Right Angle Gearbox	1
5	5244	PTO Idler Pulley (3-1/2)	1	35	5480-2	Belt Guide, PTO Drive	1
6	5346-3	PTO Belt Tightener (Includes Item # 3)	1	Fasteners			
7	5226	Compression Spring (3/4 x 2-1/2)	1	F002	10-24 Keps Nut		3
8	5406-2	Clutch Actuator	1	F004	1/4-20 Keps Nut		1
9	5410	Clutch Control Lever (Includes Item # 3)	1	F012	3/8-16 Keps Nut		16
Blower Brake Assembly				F014	3/8-16 ESNA Nut		1
10	5359	Brake Actuator Rod	1	F023	10-24 ESNA Nut		1
11	5529	Spring, Blower Brake	1	F028	10-24 x 3/4 PPHMS		1
12	5357	Brake Actuator Arm	1	F032	1/4-20 x 3/4 Hex Bolt		1
13	5355-3	Retainer Clip	1	F038	3/8-16 x 1 Hex Bolt		6
14	5355-2	Brake Actuator Link	1	F039	3/8-16 x 1-1/4 Hex Bolt		5
15	5360	Brake Mount	1	F040	3/8-16 x 1-1/2 Hex Bolt		5
16	5355-1	Brake Link	1	F049	5/16 SAE Washer		1
17	5358	Brake Bar	1	F051	3/8 SAE Washer		4
Engine Belt Tightener Assembly				F054	AN960616 Washer		4
18	5240-2	Compound Pulley (4-1/4 / A/B)	1	F065	3/16 x 3/4 Woodruff Key (#9)		2
19	5230-2	Engine Belt (#6932 or BX30)	1	F066	1/4 x 1/4 x 3/4 Key		1
20	5247-2	V-Groove Idler Pulley (4")	1	F067	3/16 x 3/16 x 1 Key		1
21	5237	Engine Pulley (4 / B)	1	F076	3/8-16 x 5/8 SQH Set Screw		1
22	5495	Engine Belt Tightener Assembly (Includes Item # 3)	1	F111	1/8 x 3/4 Cotter Pin		1
23	5221	Extension Spring, Transmission (3/4 x 4)	1	F113	5/16-18 x 5/16 Set Screw		2
PTO Drive Shaft Assembly				F115	#8 SAE Washer		1
24	5236	Transmission Drive Pulley (3")	1	F120	AN960416 Washer		1
25	5290	Belt Tightener Arm	1	F127	1/16 x 1/2 Cotter Pin		2
26	5222	Extension Spring (1/2 x 3-1/4)	1	F133	1/4 Wave Spring Washer		4
27	5245	Idler Pulley (3")	2	F136	AN960C416L Washer		4
28	5232	Ground Drive Belt (#6847 or AX45)	1	F153	3/16 x 3/16 x 1-1/4 Key		1
29	5275	Universal Joint Tube Assembly (Includes Item # F076)	1	F171	5/16-18 x 3/8 Set Screw		4
				F291	1/4 x 1/4 Shoulder Bolt		1

Use only genuine **Walker** replacement parts.

Effective Date 11-05-97

MAIN COMPONENT POWER TRANSMISSION (GHS MODELS)



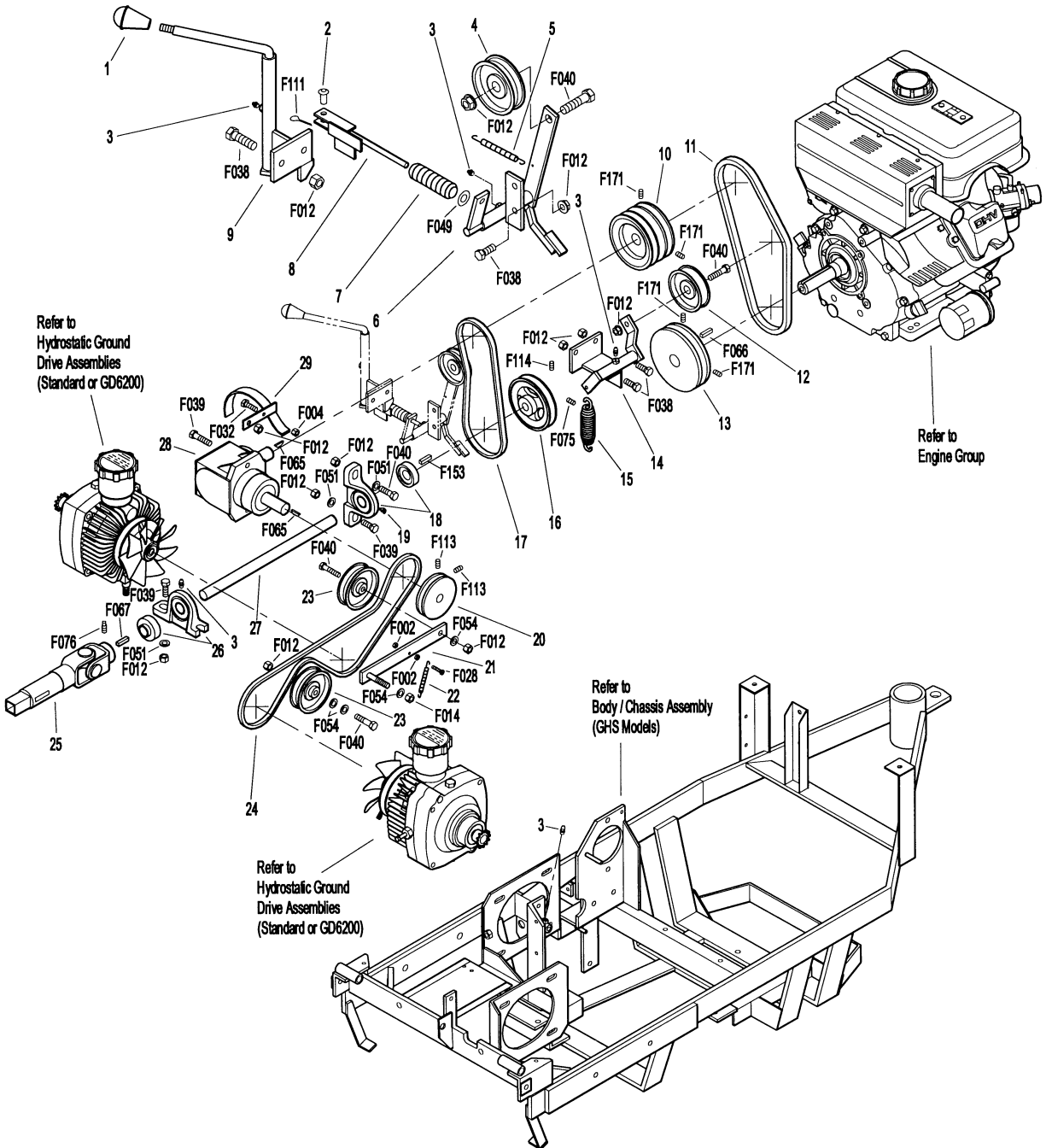
MAIN COMPONENT POWER TRANSMISSION (SD MODELS)

ITEM NO.	PART NO.	DESCRIPTION	NO. REQ'D	ITEM NO.	PART NO.	DESCRIPTION	NO. REQ'D
Clutch Control Assembly				23	5245	Idler Pulley (3")	2
1	5860	Knob, PTO Clutch	1	24	5232	Ground Drive Belt (#6847 or AX45)	1
2	5281-2	Clevis Pin (5/16 x 7/8)	1	25	5275	Universal Joint Tube Assembly (Includes Item # F076)	1
3	5830	Grease Fitting	5	26	5264	Pillowblock Bearing, Short Mount (Includes Item # 3)	1
4	5244	PTO Idler Pulley (3-1/2)	1	27	5274	PTO Drive Shaft	1
5	5229	Extension Spring (1/2 x 2-1/4)	1	28	5050-1	Right Angle Gearbox	1
6	5346-1	PTO Belt Tightener (Includes Item # 3)	1	29	5480-2	Belt Guide, PTO Drive	1
7	5226	Compression Spring (3/4 x 2-1/2)	1	Fasteners			
8	5406-2	Clutch Actuator	1	F002	10-24 Keps Nut		3
9	5410	Clutch Control Lever (Includes Item # 3)	1	F004	1/4-20 Keps Nut		1
Engine Belt Tightener Assembly				F012	3/8-16 Keps Nut		16
10	5240-2	Compound Pulley (4-1/4 / A/B)	1	F014	3/8-16 ESNA Nut		1
11	5230-2	Engine Belt (#6932 or BX30)	1	F028	10-24 x 3/4 PPHMS		1
12	5247-2	V-Groove Idler Pulley (4")	1	F032	1/4-20 x 3/4 Hex Bolt		1
13	5237	Engine Pulley (4 / B)	1	F038	3/8-16 x 1 Hex Bolt		6
14	5495	Engine Belt Tightener Assembly (Includes Item # 3)	1	F039	3/8-16 x 1-1/4 Hex Bolt		5
15	5221	Extension Spring, Transmission (3/4 x 4)	1	F040	3/8-16 x 1-1/2 Hex Bolt		5
PTO Drive Shaft Assembly				F049	5/16 SAE Washer		1
16	5238-2	PTO Drive Pulley (5 / B) (Includes Items # F075 & F114)	1	F051	3/8 SAE Washer		4
17	5234-1	SD PTO Belt (6935 Gates)	1	F054	AN960616 Washer		4
18	5263	Pillowblock Bearing (Includes Item # 19)	1	F065	3/16 x 3/4 Woodruff Key (#9)		2
19	5830-4	Grease Fitting (90 Degree)	1	F066	1/4 x 1/4 x 3/4 Key		1
20	5236	Transmission Drive Pulley (3")	1	F067	3/16 x 3/16 x 1 Key		1
21	5290	Belt Tightener Arm	1	F075	5/16-18 x 1/2 SQH Set Screw		1
22	5222	Extension Spring (1/2 x 3-1/4)	1	F076	3/8-16 x 5/8 SQH Set Screw		1
				F111	1/8 x 3/4 Cotter Pin		1
				F113	5/16-18 x 5/16 Set Screw		2
				F114	5/16-18 x 5/8 SQH Set Screw		1
				F153	3/16 x 3/16 x 1-1/4 Key		1
				F171	5/16-18 x 3/8 Set Screw		4

Use only genuine **Walker** replacement parts.

Effective Date 11-05-97

MAIN COMPONENT POWER TRANSMISSION (SD MODELS)



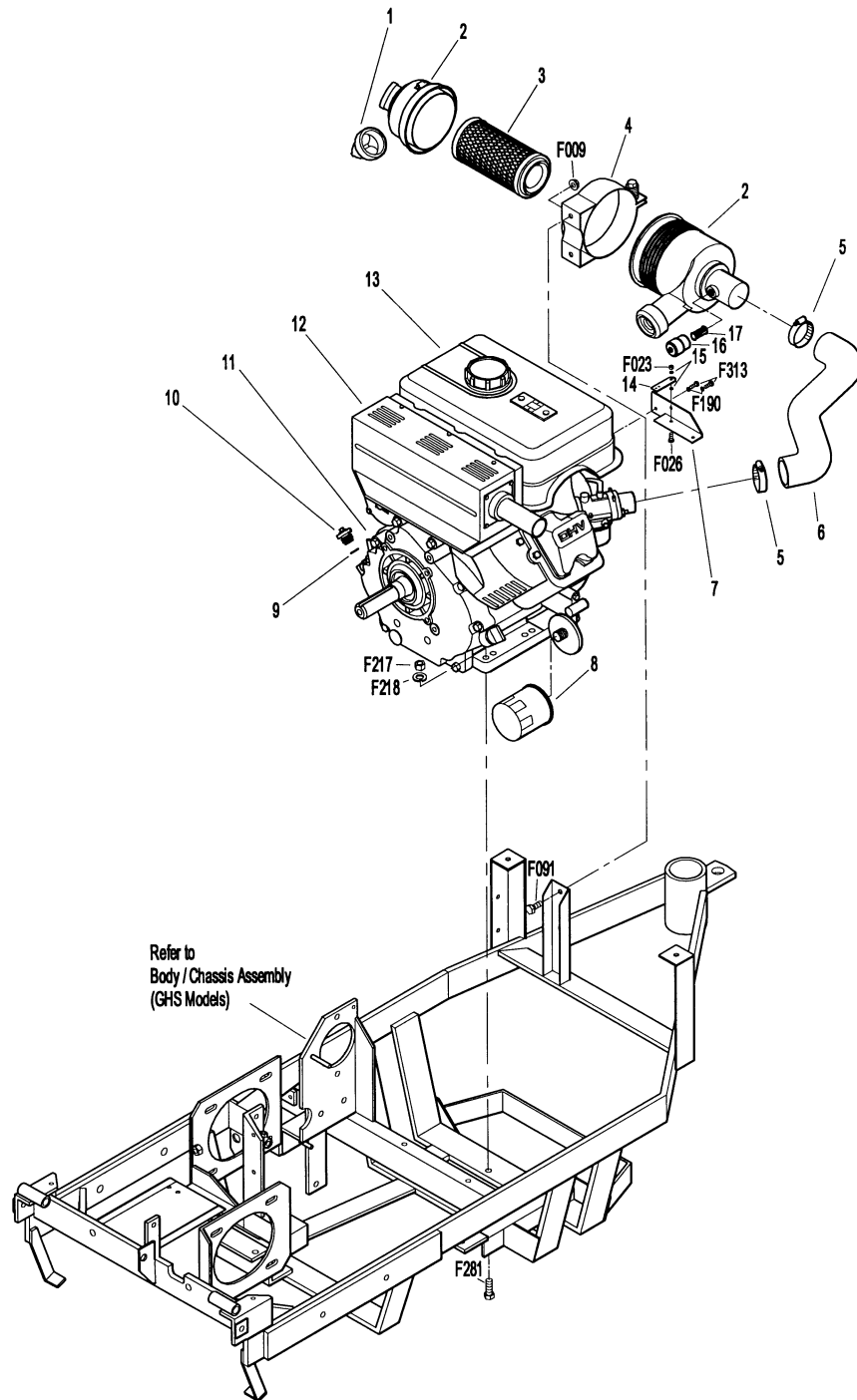
ENGINE GROUP

ITEM NO.	PART NO.	DESCRIPTION	NO. REQ'D	ITEM NO.	PART NO.	DESCRIPTION	NO. REQ'D
Air Cleaner & Engine Assembly				Fasteners			
1	5090-2	Vacuator™ Valve	1	F009		5/16-18 Whiz Locknut	2
2	5090-1	Air Cleaner Cartridge (Includes Item # 3)	1	F023		10-24 ESNA Nut	1
3	NS	Air Filter Element (Donaldson P822686)	1	F026		10-24 x 1/2 PPHMS	1
4	5088-1	Air Cleaner Band	1	F091		5/16-18 x 5/8 Hex Bolt	2
5	7840	Hose Clamp (1-5/16 to 2-1/4)	2	F190		#10 Internal Star Lock Washer	2
6	5087	Air Intake Hose	1	F217		7/16-14 Hex Nut	4
7	5123	Throttle / Choke Mount	1	F218		7/16 Split Lock Washer	4
	5128	Choke Arm & Mount Assembly (Includes Items # 7, 14, 15, F023 & F026)	*	F281		7/16-14 x 1-3/4 Hex Bolt	4
8	NS	Oil Filter (Kawasaki 49065-2071)	1	F313		M5 x .8 x 12 Machine Screw	2
9	NS	O-Ring (Kawasaki 670B2015)	1	* Service Part Only			
10	NS	Engine Plug (Kawasaki 92066-2003)	1	NOTE: Decals for this assembly are not shown here. Refer to Tractor Decals (Page 2) for Decal listing and placement information.			
11	NS	11 hp Engine (Kawasaki 49120-2250) (Includes Items # 10, 11 & 13)	1				
12	NS	Muffler (Kawasaki 49069-2285-9X)	1				
13	NS	Fuel Tank (Kawasaki 51001-2258-9H)	1				
14	5124	Choke Actuator Arm	1				
15	5982-2	Insulator Bushing	2				
16	5091	Air Flow Indicator	1				
17	5092	Close Nipple, 3/4 (1/8 NPT)	1				

Use only genuine **Walker** replacement parts.

Effective Date 11-05-97

ENGINE GROUP



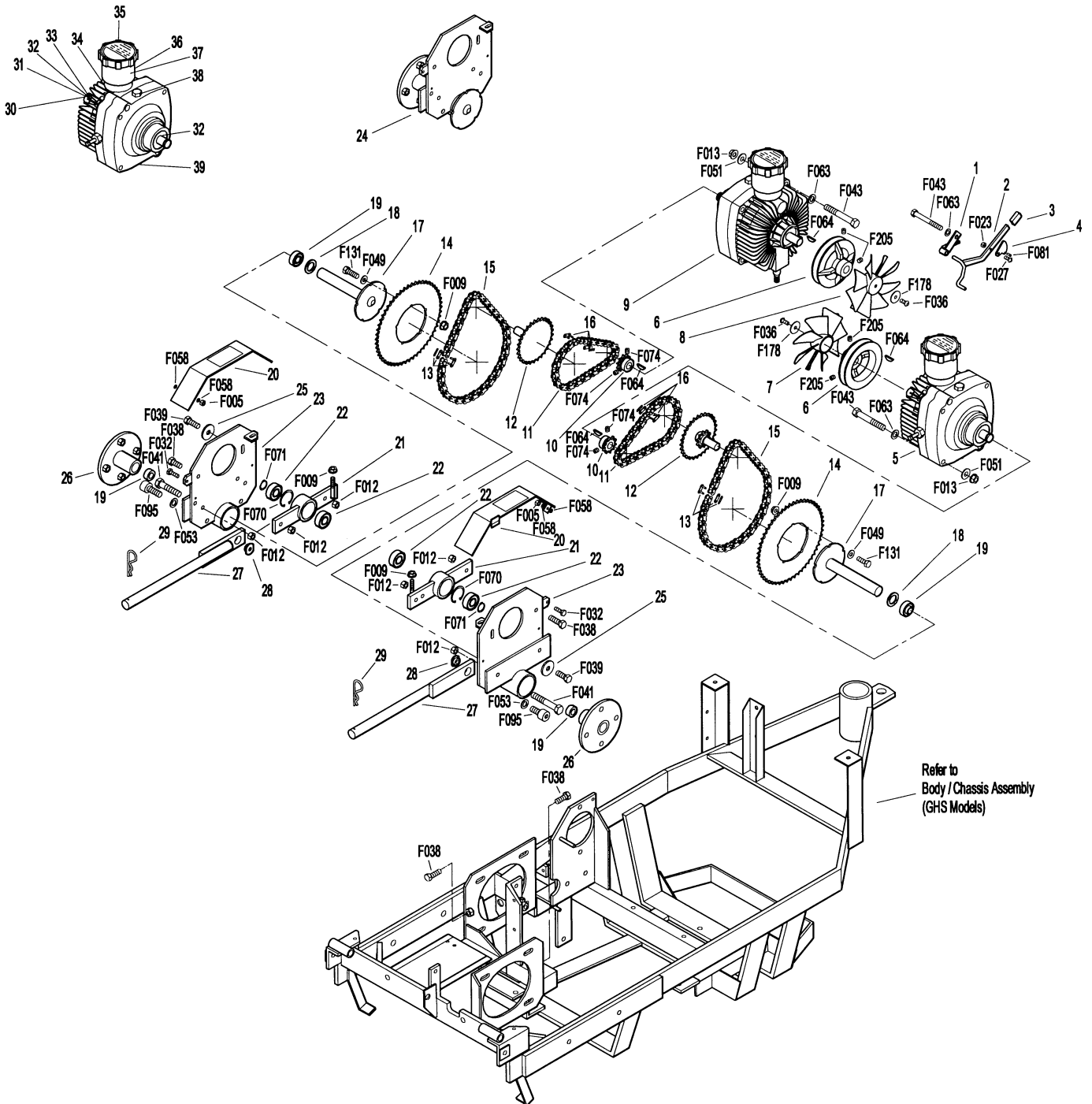
HYDROSTATIC GROUND DRIVE ASSEMBLIES (STANDARD - CHAIN DRIVE)

ITEM NO.	PART NO.	DESCRIPTION	NO. REQ'D	ITEM NO.	PART NO.	DESCRIPTION	NO. REQ'D
Transmission Lockout Assembly				Transmission Repair Parts*			
1	5027	Lockout Mount	2	30	5025-5	Input Shaft	*
	5028-3	Transmission Lockout Assembly (Includes Items # 1, 2, 3, 4, F023 & F027)	*	31	5025-8	Bearing, Input	*
2	5028	Lockout Lever	2	32	5025-7	Snap Ring	*
3	5847	Plastic Tip, Lockout Lever	2	33	5025-2	Seal, Input Shaft	*
4	5057	Lockout Cam (Includes Item # F081)	2	34	5022	Reservoir to Casting Gasket	*
				35	5024	Reservoir Cap and Gasket	*
				36	5023	Transmission Reservoir Kit (Includes Items # 34, 35, & 37)	*
				37	5023-1	Rubber Bladder	*
				38	5025-6	O-Ring & Plug Assembly	*
				39	5025-3	Seal, Control Shaft	*
Ground Drive Assemblies				Fasteners			
5	5026	Hydrostatic Drive, CW (700-031)	1	F005	1/4-20 ESNA Nut		2
6	6244	Hydro Pulley (4 / A)	2	F009	5/16-18 Whiz Locknut		12
7	6243-1	Hydro Fan, CW	1	F012	3/8-16 Keps Nut		8
8	6243-2	Hydro Fan, CCW	1	F013	3/8-16 Whiz Locknut		8
9	5025	Hydrostatic Drive, CCW (700-032)	1	F023	10-24 ESNA Nut		2
				F027	10-24 x 5/8 PPHMS		2
				F032	1/4-20 x 3/4 Hex Bolt		2
				F036	1/4-20 x 1/2 SBH Screw		2
				F038	3/8-16 x 1 Hex Bolt		4
				F039	3/8-16 x 1-1/4 Hex Bolt		2
				F041	3/8-16 x 1-3/4 Hex Bolt		4
				F043	3/8-16 x 3 Hex Bolt		8
				F049	5/16 SAE Washer		10
				F051	3/8 SAE Washer		8
				F053	7/16 Internal Star Lock Washer		2
				F058	1/4 Wave Spring Washer		4
				F063	3/8 Internal Star Lock Washer		8
				F064	1/8 x 1/2 Woodruff Key (#3)		4
				F070	1-3/4 Internal Snap Ring		2
				F071	3/4 External Snap Ring		2
				F074	1/4-20 x 3/8 Set Screw		4
				F081	A/A45D Aluminum Pop Rivet		2
				F095	7/16-20 x 3/4 SHC Screw		2
				F131	5/16-18 x 1/2 Hex Bolt		10
				F178	1/4 x 1 Fender Washer		2
				F205	5/16-18 x 1/4 Set Screw, Knurl Point		4
				* Service Part Only			
				NOTE: Items # F013 & F051 are not used on Gear-Driven Models. Refer to GD6200 Gear Drive Option (Page 16).			
				NOTE: Installation of GD6200 Gear Drive Option (Page 16) is required for installation of Parking Brake Assembly (Page 18). Contact your Walker dealer.			
				NOTE: Decals for this assembly are not shown here. Refer to Tractor Decals (Page 2) for Decal listing and placement			

Use only genuine **Walker** replacement parts.

Effective Date 11-05-97

HYDROSTATIC GROUND DRIVE ASSEMBLIES (STANDARD - CHAIN DRIVE)



HYDROSTATIC GROUND DRIVE ASSEMBLIES (GD6200 - GEAR DRIVE OPTION)

ITEM NO.	PART NO.	DESCRIPTION	NO. REQ'D	ITEM NO.	PART NO.	DESCRIPTION	NO. REQ'D
Transmission Belt Tightener Assembly				Fasteners			
1	5290-2	Belt Tightener Arm (Includes Item # 2)	1	F004	1/4-20 Keps Nut		3
2	5830	Grease Fitting	3	F009	5/16-18 Whiz Locknut		1
3	5227-1	Extension Spring (1/2 x 4)	2	F012	3/8-16 Keps Nut		2
4	6237	Bolt & Spring Hook	1	F031	1/4-20 x 5/8 Hex Bolt		1
5	5236-1	Transmission Drive Pulley (3-1/4 / A) (Includes Item # F171)	1	F032	1/4-20 x 3/4 Hex Bolt		2
6	5209-3	Bridge Assembly	1	F038	3/8-16 x 1 Hex Bolt		4
7	6832	Cable Clamp (9/16 x 1/4)	1	F040	3/8-16 x 1-1/2 Hex Bolt		4
Ground Drive Assemblies				F053	7/16 Internal Star Lock Washer		4
8	6206	Pressure Relief Valve	*	F063	3/8 Internal Star Lock Washer		8
9	5810-1	Decal, Axle Oil Level	2	F064	1/8 x 1/2 Woodruff Key (#3)		2
10	5126	Cable Retainer	1	F093	5/16-18 x 1 Hex Bolt		1
11	6200-5	Gear Axle Drive Assembly (Includes Items # 8 & 9)	2	F138	3/8-16 x 1/2 x 1-1/2 SHL Bolt		1
12	6233-1	Pinion Gear	2	F160	External Snap Ring (.669 Shaft)		2
13	6234	Spacer, Pinion Gear	2	F171	5/16-18 x 3/8 Set Screw		2
14	6201	O-Ring Seal	2	F194	7/16 x 1-1/4 x 1/8 Washer		2
Deck Support Arm Assemblies				F200	7/16-20 x 3 GR 8 Bolt		2
15	6430-10	Outboard Mount, LH	1	F244	7/16-20 x 3/4 Hex Bolt		2
16	6430-2	Deck Support Arm, LH (Includes Item # 2)	1	* Service Part Only			
17	5775-2	Hitch Pin (#6)	2	** Gear Drive Electrical Parts shown here replace the Standard Chain Drive counterparts shown on Electrical Assembly (Page 30). All other Electrical Parts are common to both Chain-Driven and Gear-Driven Models.			
18	6430-1	Deck Support Arm, RH (Includes Item # 2)	1	NOTE: This entire assembly may be ordered as a factory-installed option or as a kit for dealer installation. Contact your Walker dealer.			
19	6430-9	Outboard Mount, RH	1	NOTE: Refer to Hydrostatic Ground Drive Assemblies (Standard - Chain Drive), Page 14, for all parts common to both Chain Drive and Gear Drive models.			
20	6840-1	Support Arm Bushing	2	NOTE: All Gear-Driven Models also include Parking Brake. Refer to Parking Brake Assembly (Page 18).			
Gear Drive Electrical Parts**				NOTE: Standard Decals for this assembly are not shown here. Decals shown only for Optional Assemblies. Refer to Tractor Decals (Page 2) for Decal listing and placement information.			
21	5154	Spacer, Gas Spring	1				
22	5300-9	Chassis Frame (Gear Drive)	1				
23	6390	Battery Pan (Gear Drive)	1				
24	5844	Battery Hold-Down Bar (Gear Drive)	1				
25	5910	Battery (12V/295CCA/Dry, Gear Drive)	1				
26	5933	Battery Terminal Insul., Red (+)	1				
27	5932	Battery Terminal Insul., Black (-)	1				

Use only genuine **Walker** replacement parts.

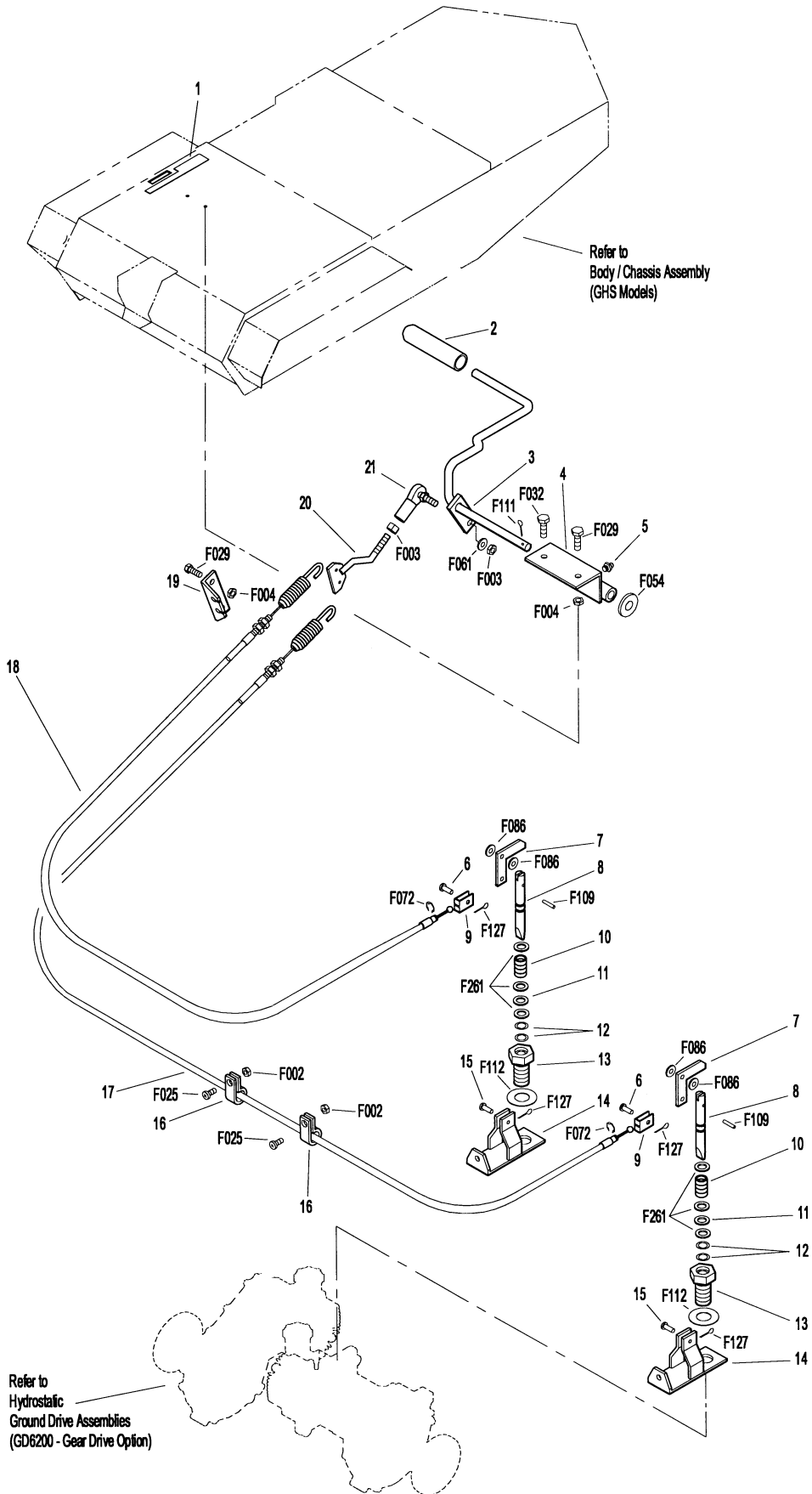
Effective Date 11-05-97

PARKING BRAKE ASSEMBLY

ITEM NO.	PART NO.	DESCRIPTION	NO. REQ'D	ITEM NO.	PART NO.	DESCRIPTION	NO. REQ'D
Parking Brake Assembly				Fasteners			
1	7809	Decal, Parking Brake	1				
2	7406-1	Handle Grip, Red	1	F002		10-24 Keps Nut	2
3	7406-5	Parking Brake Lever	1	F003		1/4-28 Hex Nut	2
4	7406-2	Lever Mount	1	F004		1/4-20 Keps Nut	4
5	5830	Grease Fitting	1	F025		10-24 x 3/8 PPHMS	2
6	7407	Clevis Pin (3/16 x 1/2)	2	F029		1/4-20 x 1/2 Hex Bolt	3
7	7404	Brake Actuator Arm	2	F032		1/4-20 x 3/4 Hex Bolt	1
8	7405	Pin, Transmission Lock	2	F054		AN960616 Washer	1
9	7402	Clevis	2	F061		1/4 Internal Star Lock Washer	1
10	7408	Compression Spring (1/2 x 3/4)	2	F072		1/4 "E" Retainer Ring	2
11	7415	Rubber Dust Shield (5/8 x 3/8 x 1/32)	2	F086		#10 SAE Washer	4
12	5567-3	O-Ring Seal (1/4 x 3/8)	4	F109		1/8 x 5/8 Roll Pin	2
13	7403	Plunger Bushing, Gear Axle	2	F111		1/8 x 3/4 Cotter Pin	1
14	7404-1	Brake Actuator Mount	2	F112		5/8 x 1-1/4 x .03 Washer	2
15	7412	Clevis Pin (3/16 x 3/4)	2	F127		1/16 x 1/2 Cotter Pin	4
16	5833	Cable Clamp (1/4)	2	F261		AN960616L Washer	6
17	7410	Brake Control Cable, LH (27")	1				
18	7409	Brake Control Cable, RH (21")	1				
19	7401-3	Cable Mount Bracket	1				
20	7401-1	Cable Pull Rod	1				
21	5552	Ball Joint (1/4-28)	1				

NOTE: This assembly is not available for use on Standard Chain-Driven Models. Installation of Parking Brake Assembly requires installation of GD6200 Gear Drive Option. Refer to Hydrostatic Ground Drive Assemblies

PARKING BRAKE ASSEMBLY



STEERING CONTROL ASSEMBLIES

ITEM NO.	PART NO.	DESCRIPTION	NO. REQ'D	ITEM NO.	PART NO.	DESCRIPTION	NO. REQ'D
Transmission Spring Assembly				30	5142-2	FSC Actuator Cam	1
1	5197	J-Bolt	2	31	5172	Bearing, Nylon (.255 ID x .379 OD x .250)	1
2	5193	Washer (.750 ID x 1.00 OD x .085)	2	32	5173	FSC Actuator Rod	1
3	5195	Compression Spring (1 x 5-1/8)	2	33	5975-3	Cable Tie (50# x 7")	1
4	5191	Spring Slide (3-5/8)	2	34	7170	FSC Lever Assembly (Includes Item # 19)	1
5	5194	Plunger Sleeve	2	35	5862	FSC Knob	1
6	5192	Spring Plunger	2	Fasteners			
7	5552	Ball Joint (1/4-28)	2	F003	1/4-28 Hex Nut		3
8	5199	Transmission Spring Assembly (Includes Items # 1-7, F003, F146, F287 & F293)	*	F004	1/4-20 Keps Nut		6
Steering Lever & FSC Assemblies				F007	5/16-18 Jam Nut		1
9	5212	Transmission Control Arm, RH	1	F008	5/16-24 Keps Nut		2
10	5141	FSC Friction Washer	2	F009	5/16-18 Whiz Locknut		1
11	5140	FSC Friction Body (Includes Item # 19)	1	F010	5/16-24 ESNA Nut		2
12	5142-5	FSC Key	1	F012	3/8-16 Keps Nut		2
	5140-3	FSC Control Assembly (Includes Items # 10, 11, 12, 19, 30, F192 & F193)	*	F024	5/16-24 Jam Nut		2
13	5214-2	Ball Joint (5/16-24), Nylon Lined	2	F032	1/4-20 x 3/4 Hex Bolt		3
14	5212-2	Transmission Control Arm, LH	1	F034	5/16-18 x 3/4 Hex Bolt		1
15	5850	Handle Grip, Foam	2	F050	1/4 SAE Washer		3
16	5213-2	Control Rod, LH (6")	1	F051	3/8 SAE Washer		2
17	5223	Extension Spring (1/4 x 5-1/2)	2	F064	1/8 x 1/2 Woodruff Key (#3)		2
18	5450	D-Clip	2	F068	1/8 x 1 Cotter Pin		1
19	5830	Grease Fitting	6	F069	3/32 x 1/2 Cotter Pin		1
20	5214-1	Bearing, Steering Lever Actuator	2	F093	5/16-18 x 1 Hex Bolt		1
21	5463	Steering Lever Actuator	2	F104	1/4-20 x 3/4 PFH Bolt		1
22	5451-2	Steering Lever, LH (Includes Item # 19)	1	F134	AN960816L Washer		2**
23	5217	Pivot Pin, Steering Lever	1	F146	1/4-20 Jam Nut		2
24	5470-1	Speed Control Stop	1	F182	1/4 x 5/8 x 1/8 Washer		2
25	5450-2	Steering Lever, RH (Includes Item # 19)	1	F183	.312 x .700 x .074 Washer		2
26	5213-1	Control Rod, RH (15")	1	F186	5/64 x 1/2 Cotter Pin		1
27	5281-5	Clevis Pin (1/4 x 0.80)	1	F192	3/8-24 Self-Locking Nut		1
28	5280	Clevis (1/4)	1	F193	3/8 Belleville Spring Washer		3
29	5219	FSC Extension Spring (3/4 x 6-3/4)	1	F287	1/4-28 Keps Nut		2
				F293	1/8 x 1 Roll Pin		2
				* Service Part Only			
				** Average number used per assembly. Adjust as required.			
				NOTE: Decals for this assembly are not shown here. Refer to Tractor Decals (Page 2) for Decal listing and placement information.			

Use only genuine **Walker** replacement parts.

Effective Date 11-05-97

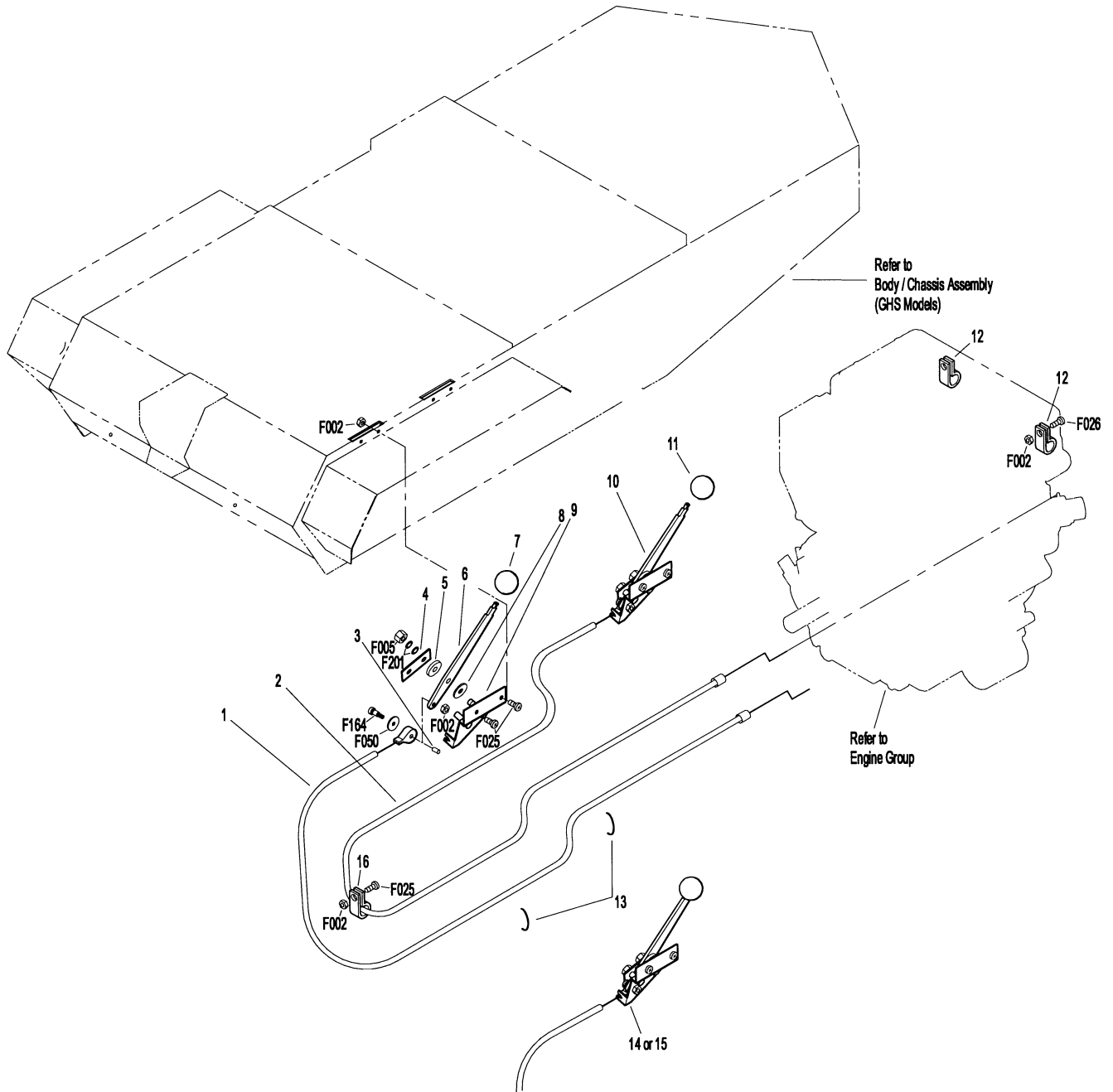
THROTTLE & CHOKE CONTROL ASSEMBLIES

ITEM NO.	PART NO.	DESCRIPTION	NO. REQ'D	ITEM NO.	PART NO.	DESCRIPTION	NO. REQ'D
Throttle & Choke Control Assemblies				Fasteners			
1	5121-1	Throttle Cable	1	F002		10-24 Keps Nut	8
2	5122-1	Choke Cable	1	F005		1/4-20 ESNA Nut	2
3	5172	Nylon Bearing	2	F025		10-24 x 3/8 PPHMS	5
4	5108-7	Control Lock Tab	2	F026		10-24 x 1/2 PPHMS	1
5	5108-10	Friction Washer (.125)	2	F050		1/4 SAE Washer	2
6	5108-1	Control Lever, Throttle and Choke	2	F164		10-24 x 1/4 x 3/8 SHL Bolt	2
7	5108-5	Throttle Control Knob, Red	1	F201		1/4 Belleville Spring Washer	4
8	5108-11	Friction Washer (.062)	2				
9	5108-8	Control Bracket	2				
10	7108	Control Assembly, Throttle and Choke	*				
11	5108-6	Choke Control Knob, Black	1				
12	5833	Cable Clamp (1/4)	2				
13	5975-1	Cable Tie (18# x 3-3/4")	2				
14	5121	Throttle Control and Cable Assembly (Complete Control and Cable Assembly)	*				
15	5122	Choke Control and Cable Assembly (Complete Control and Cable Assembly)	*				
16	5832	Cable Clamp (1/2)	1				
				*		Service Part Only	

Use only genuine **Walker** replacement parts.

Effective Date 11-05-97

THROTTLE & CHOKE CONTROL ASSEMBLIES



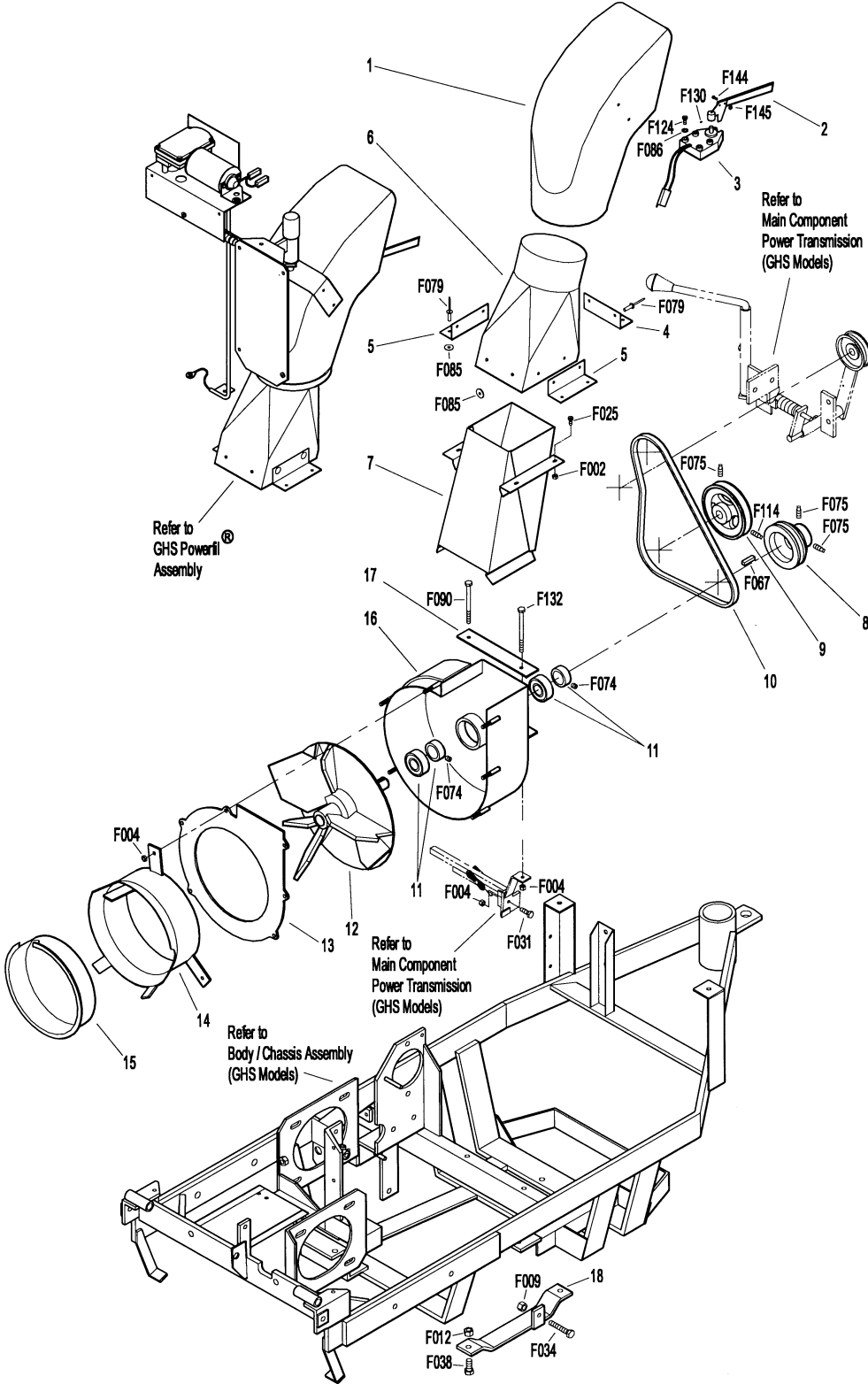
GHS GROUP

ITEM NO.	PART NO.	DESCRIPTION	NO. REQ'D	ITEM NO.	PART NO.	DESCRIPTION	NO. REQ'D
Delivery Chute Assembly				Fasteners			
1	5515-2	Elbow Delivery Spout	1	F002		10-24 Keps Nut	4
2	5594	Vane Assembly, Grass Pak Switch (Includes Items # F130, F144 & F145)	1	F004		1/4-20 Keps Nut	9
3	5592	Grass Pak Switch Assembly	1	F009		5/16-18 Whiz Locknut	1
4	5578	Rear Clip, Chute Mount	1	F012		3/8-16 Keps Nut	2
5	5577	Side Clip, Chute Mount	2	F025		10-24 x 3/8 PPHMS	4
6	5511-3	Delivery Chute Assembly, (6.7) (Includes Items # 4, 5, F079 & F085)	1	F031		1/4-20 x 5/8 Hex Bolt	1
7	5530-3	Body Chute (9")	1	F034		5/16-18 x 3/4 Hex Bolt	1
Blower Assembly				F038		3/8-16 x 1 Hex Bolt	2
8	5239-2	Blower Pulley, Offset Hub (Includes Item # F075)	1	F067		3/16 x 3/16 x 1 Key	1
9	5238-2	PTO Drive Pulley (5 / B) (Includes Items # F075 & F114)	1	F074		1/4-20 x 3/8 Set Screw	2
10	5234-2	GHS PTO Belt (B41 / #6944)	1	F075		5/16-18 x 1/2 SQH Set Screw	3
11	5268	Bearing (3/4) Includes Locking Collar	2	F079		A/A66D Aluminum Pop Rivet	14
12	5545-2	Blower Wheel (9")	1	F085		3/16 Rivet Backup Washer	8
13	5525-7	Faceplate (9" Blower)	1	F086		#10 SAE Washer	4
14	5526-3	Blower Intake Tube (6-1/2 x 3)	1	F090		1/4-20 x 2-1/2 Hex Bolt	1
15	5595-2	Intake Cover	*	F114		5/16-18 x 5/8 SQH Set Screw	1
16	5543-3	Housing (9" Blower)	1	F124		10-32 x 3/8 Taptite Machine Screw	4
	5542-3	Blower Assembly (9")	**	F130		10-24 x 3/16 Set Screw	1
17	5527-2	Blower Mount Plate	1	F132		1/4-20 x 2-3/4 Hex Bolt	1
18	5534	Skid Bar (9" Blower)	1	F144		4-40 x 1/4 PPHMS	1
				F145		4-40 Keps Nut	1
				* Plugs blower when GHS is not in use. Furnished only with Mulching Decks, SD Decks used on a GHS Tractor, Rotary Broom Attachment and Snowblower Attachment.			
				** Service Part Only			

NOTE: Refer to Electrical Connectors (Page 32) for identification of all Electrical Wiring Service Parts.

NOTE: Decals for this assembly are not shown here. Refer to Tractor Decals (Page 2) for Decal listing and placement information.

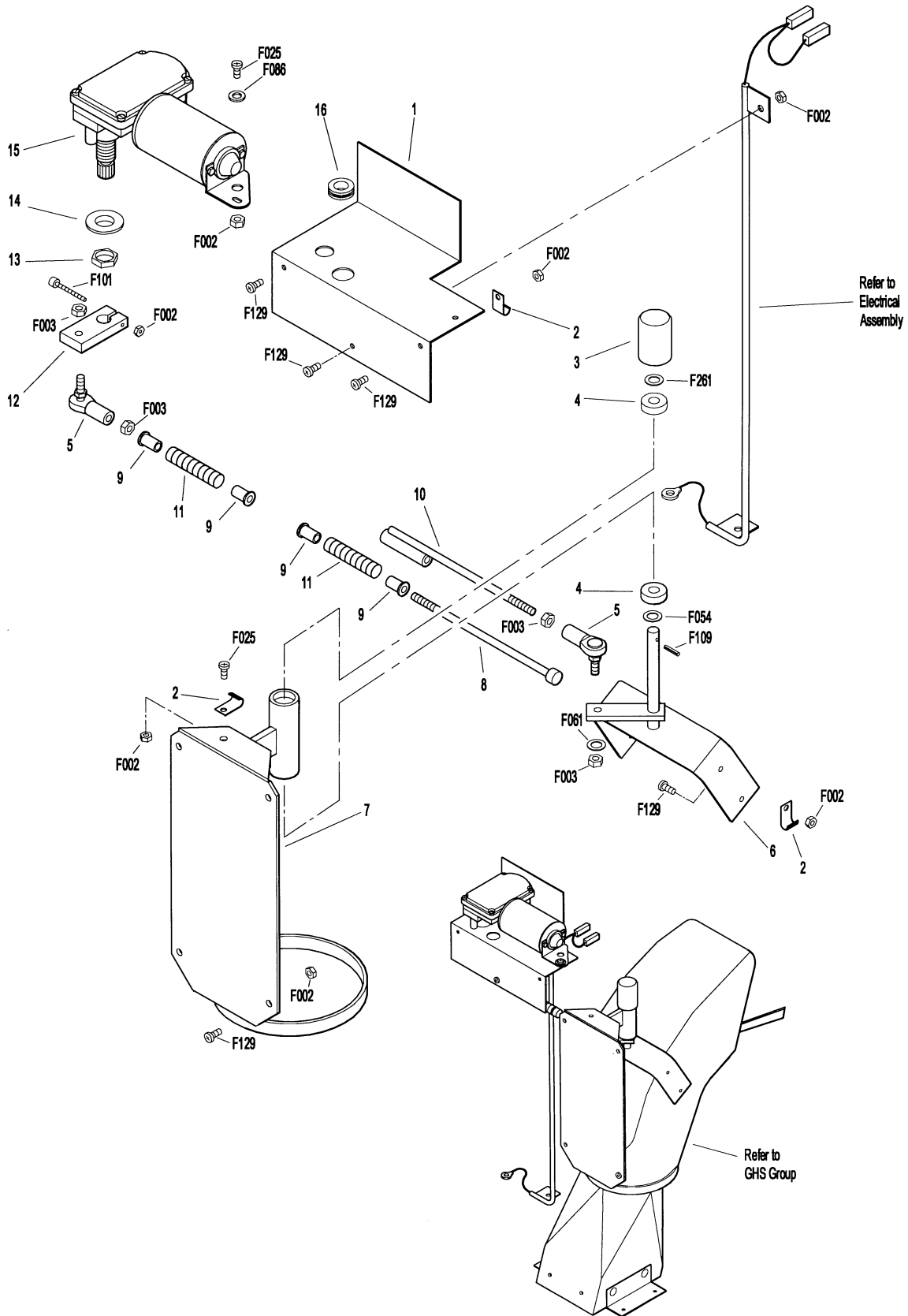
GHS GROUP



GHS POWERFIL® ASSEMBLY

ITEM NO.	PART NO.	DESCRIPTION	NO. REQ'D	ITEM NO.	PART NO.	DESCRIPTION	NO. REQ'D
GHS Powerfil® Assembly				Fasteners			
1	5557	Motor Mount, Powerfil®	1	F002		10-24 Keps Nut	14
2	5857	Wire Clamp (1/8 J-Clip)	3	F003		1/4-28 Hex Nut	4
3	5551-3	Bearing Cap, Powerfil®	1	F025		10-24 x 3/8 PPHMS	2
4	5551-1	Pivot Bearing (#S3PP)	2	F054		AN960616 Washer	1
5	5552	Ball Joint (1/4-28)	2	F061		1/4 Internal Star Lock Washer	1
6	5518-2	Pivot, Delivery Spout	1	F086		#10 SAE Washer	1
7	5517-2	Pivot Mount	1	F101		10-24 x 1-1/4 SHC Screw	1
8	5558-1	Powerfil® Push Rod	1	F109		1/8 x 5/8 Roll Pin	1
9	5553-3	Bushing, Powerfil® Actuator	4	F129		10-24 x 1/2 PTHMS	11
10	5558-2	Powerfil® Actuator Rod	1	F261		AN960616L Washer	1
	5549	Actuator Rod Assembly (Includes Items # 5, 8, 9, 10, 11 & F003)	*	* Service Part Only			
11	5553-1	Spring, Powerfil® Actuator	2	NOTE: Refer to Electrical Connectors (Page 32) for identification of all Electrical Wiring Service Parts.			
12	5554	Actuator Arm	1				
13	5519-3	Motor Mount Nut (5/8-24 Panel Nut)	*				
14	5519-2	Motor Mount Washer	*				
15	5519	Actuator Motor (12/24V) (Includes Items # 13 & 14)	1				
16	5977	Grommet (1/2 ID x 7/8 OD x 1/16)	1				

GHS POWERFIL® ASSEMBLY



GHS 6.7 BUSHEL CATCHER & EXHAUST DEFLECTOR ASSEMBLIES

ITEM NO.	PART NO.	DESCRIPTION	NO. REQ'D	ITEM NO.	PART NO.	DESCRIPTION	NO. REQ'D
Upper Baffle Screen Assembly (Removable)				5598 Optional Dump Bag (Not Shown)**			
1	7509-3	Channel Bottom	2	Fasteners			
2	7505	Mustache Spring	2	F002	10-24 Keps Nut	18	
3	6507	Screen Seal, 6.7 (24")	1	F004	1/4-20 Keps Nut	16	
4	6856-1	Edge Molding, 6.7 (21-3/4)	1	F009	5/16-18 Whiz Locknut	2	
5	7509-2	Channel Top	2	F020	5/16-18 ESNA Nut	2	
6	6512-2	Removable Screen (6.7)	1	F025	10-24 x 3/8 PPHMS	4	
7	7506	Knob	2	F027	10-24 x 5/8 PPHMS	4	
8	6509-4	C-Channel (6.7)	1	F035	5/16-18 x 1-1/4 Hex Bolt	1	
Exhaust Deflector Assembly				F037	10-24 x 5/8 PTH Screw	4	
9	5504-1	Exhaust Deflector (Two Piece Set)	1	F049	5/16 SAE Washer	8	
10	5504-8	Deflector Mount Doubler	2	F061	1/4 Internal Star Lock Washer	2	
11	5504-3	Hinge, Exhaust Deflector	1	F079	A/A66D Aluminum Pop Rivet	25	
GHS 6.7 Bushel Catcher Assembly				F085	3/16 Rivet Backup Washer	9	
12	5584	Reinforcing Strap, Catcher Top	1	F129	10-24 x 1/2 PTHMS	4	
13	5510-1	6.7 Bushel Catcher, Including Door	1	F188	1/4-20 Self Locking Nut	17	
	5502-1	6.7 Catcher, Without Powerfil® (Includes Door)	*	F195	1/4-20 x 3/4 PPHMS SS	8	
	5502-2	6.7 Catcher Assembly (Includes Powerfil®)	*	F196	1/4-20 x 1 PPHMS SS	2	
	5502-3	6.7 Catcher Assembly and Bumper Mount (Includes Bumper & Powerfil®)	*	F198	.625 x .250 x .040 Washer, SS	9	
14	5583	Handle	2	F203	1/4-20 x 5/8 PPHMS SS	4	
15	5514-10	Door Frame, Catcher (6.7)	1	F230	1/4-20 x 1-1/4 PPHMS SS	1	
16	5130	Side Strap, Door (6.7)	2	F242	1/4-20 x 7/8 PPHMS SS	14	
17	5155-12	5/16 Ball Stud	2	F252	10-24 x 3/4 PPHMS	1	
18	5588	Rubber Bumper (.75 OD x .50)	2	F255	5/16-18 x 1-1/2 Hex Bolt	1	
19	5147	Spring Clip, Gas Spring	4	F329	.260 ID x 1.939 OD Washer	2	
20	5155	Catcher Gas Spring Assembly (Includes Items # 17, 19 & 22)	2	F330	3/16 D x 21/32 L Rivet, SS	2	
21	5524	Hinge Bearing	2	F333	1/4-20 x 3/4 PTHMS	4	
22	5155-13	3/4 Ball Stud	2				
23	5523-6	Gas Spring Plate	2				
24	5522-1	Hinge Backup Plate, LH	1				
25	5503	Mounting Frame, Catcher (6.7)	1				
26	5522-2	Hinge Backup Plate, RH	1				
27	5513-1	Mounting Frame Doubler (6.7)	1				
28	6508	Safety Latch Hinge	1				
29	7533	Backing Plate, Handle	2				
30	7532	Handle, Catcher Lift	2				

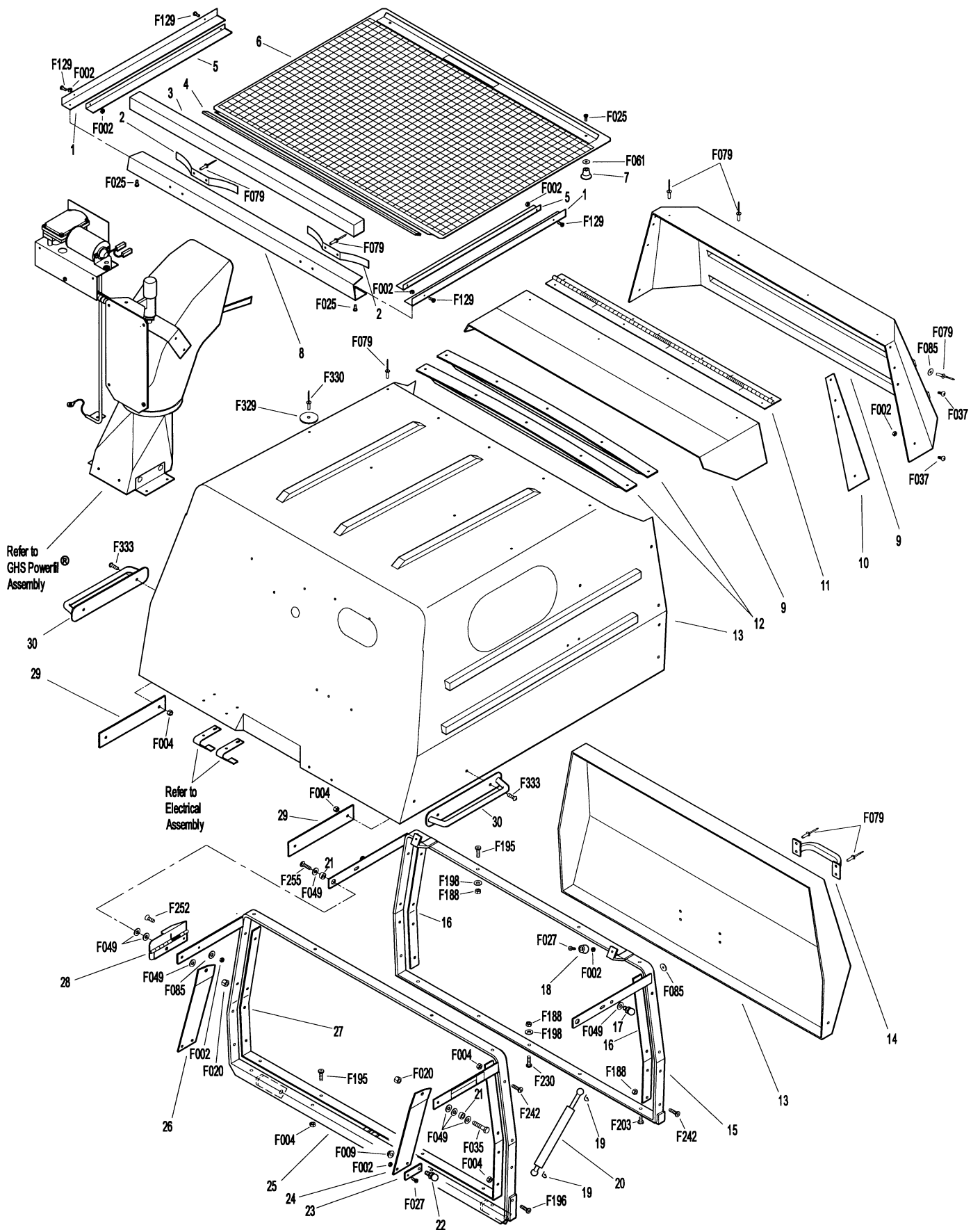
* Service Part Only

** Contact your Walker dealer to order Optional Dump Bag.

NOTE: The Removable Upper Baffle Screen is standard equipment on GHS models starting with Serial Number 97-29143 and on. Order kit P/N 6520 for installation on earlier models. Contact your Walker dealer.

NOTE: Decals for this assembly are not shown here. Refer to Tractor Decals (Page 2) for Decal listing and placement information.

GHS 6.7 BUSHEL CATCHER & EXHAUST DEFLECTOR ASSEMBLIES



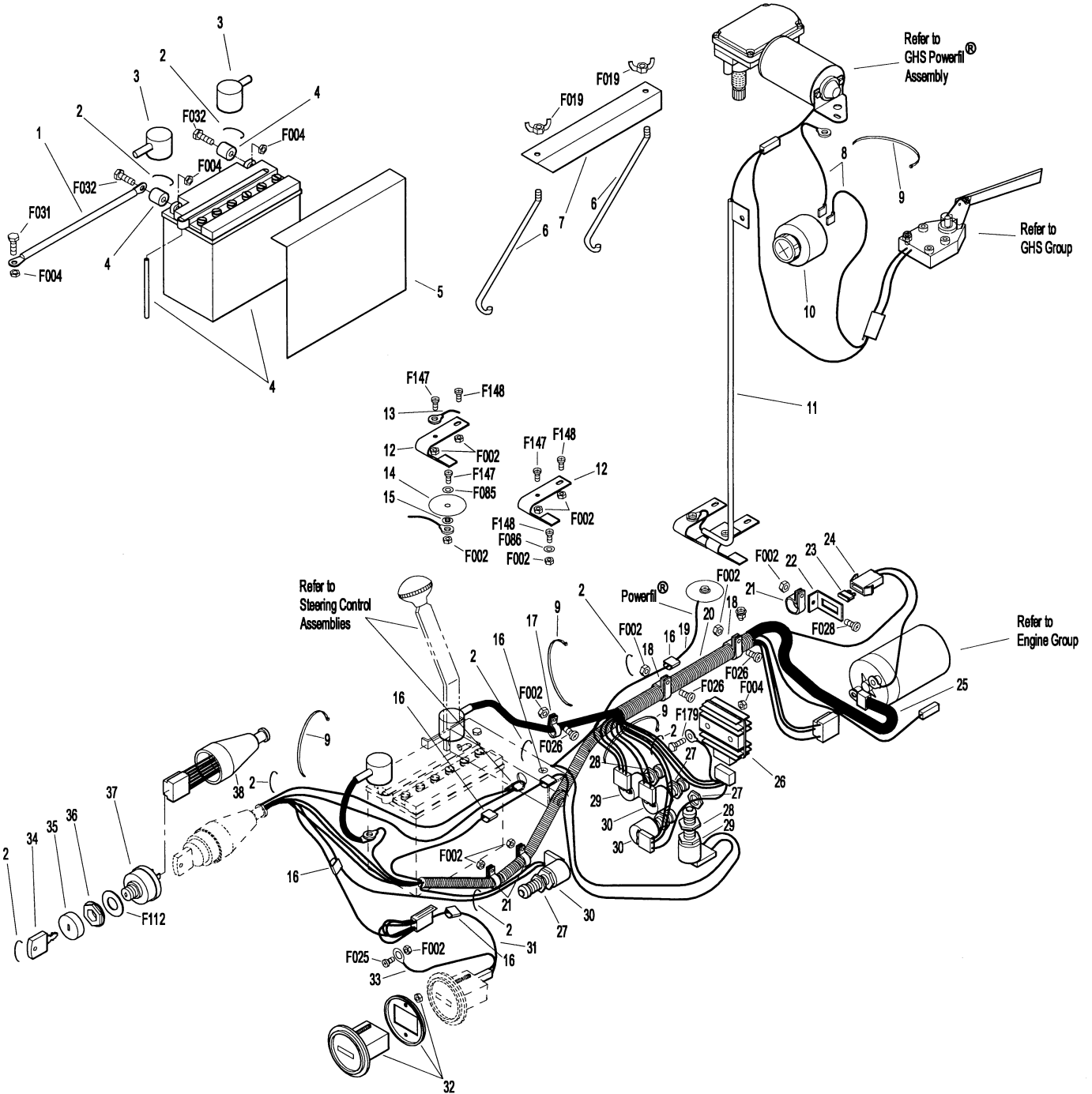
ELECTRICAL ASSEMBLY

ITEM NO.	PART NO.	DESCRIPTION	NO. REQ'D	ITEM NO.	PART NO.	DESCRIPTION	NO. REQ'D
Electrical Assembly				34	5960-2	Ignition Key (1 Set) (Includes Item # 2)	1
1	6923	Negative Battery Cable	1		5960-3	Key Tip Protector	1
2	5975-1	Cable Tie (18# x 3-3/4")	8	35	5960-6	Ignition Switch Cover	1
3	5934	Battery Terminal Cap	2	36	5960-5	Nylon Nut, Ignition Switch	1
4	5912	Battery (12V/WYB16B/Dry)	1	37	5960	Ignition Switch (with Keys) (Includes Items # 34, 35, 36 & F112)	1
5	6392	Battery Protector Plate	1	38	5940-3	Ignition Switch Cover	1
6	5839	Hook Bolt	2	Fasteners			
7	5844-1	Battery Hold-Down Bar	1		F002	10-24 Keps Nut (SD Models Use Only 5)	13
8	5599	Pigtail Wire Set, Horn	1		F004	1/4-20 Keps Nut	5
9	5975-3	Cable Tie (50# x 7")	4		F019	1/4-20 ESNA Wing Nut	2
10	5536-2	Horn, Full Signal	*		F025	10-24 x 3/8 PPHMS	1
11	5988-1	Conduit Assembly, Powerfil® Wiring	*		F026	10-24 x 1/2 PPHMS	3
	5988-4	Powerfil® Tube & Wire Assembly (Includes Items # 11 & 13)	*		F028	10-24 x 3/4 PPHMS	1
12	5984	Electric Contact Spring	2**		F031	1/4-20 x 5/8 Hex Bolt	1
13	5985-2	Power Lead Wire, Catcher	*		F032	1/4-20 x 3/4 Hex Bolt	2
14	5982-1	Insulator Washer (2")	1**		F085	3/16 Rivet Backup Washer	1**
15	5982-2	Insulator Bushing	1**		F086	#10 SAE Washer	1**
16	5975-5	Wire Clip, Self-Mount	5		F112	5/8 x 1-1/4 x .03 Washer	1
17	5833	Cable Clamp (1/4)	1		F147	10-24 x 1/2 PPHMS SS	3**
18	5832	Cable Clamp (1/2)	2		F148	10-24 x 3/8 PPHMS SS	3**
19	5983	Power Lead Wire, Body	1**		F179	1/4-20 x 1 Hex Bolt	2
20	5943	Wire Harness Assembly	1	* Service Part Only			
21	6833	Cable Clamp (9/16 x #10)	3	** GHS Models Only			
22	5961	Fuse Holder Mount Bracket	1	NOTE: Items # 10, 11 & 13 are Service Parts used exclusively on GHS Models.			
23	6941-1	20 Amp Fuse	*	NOTE: For Electrical Parts used exclusively on Gear-Driven Models, refer to Hydrostatic Ground Drive Assemblies (GD6200 - Gear Drive Option), Page 16.			
24	5940-6	Fuse Holder with Terminals	*	NOTE: Refer to Electrical Connectors (Page 32) for identification of all Electrical Wiring Service Parts.			
25	NS	Positive Battery Cable	*	NOTE: Decals for this assembly are not shown here. Refer to Tractor Decals (Page 2) for Decal listing and placement information.			
26	NS	Voltage Regulator (Kawasaki 21066-2004)	1				
27	5942-1	Switch Boot (Fits P/N 5942)	3				
28	5941-1	Switch Boot (Fits P/N 5941)	2				
29	5941	Safety Switch (Normal Closed) (Includes Item # 28)	2				
30	5942	Safety Switch (Normal Open) (Includes Item # 27)	3				
31	5991-1	Hourmeter Power Lead Wire	1				
32	8990	Hourmeter	1				
33	5991-2	Hourmeter Ground Wire	1				

Use only genuine **Walker** replacement parts.

Effective Date 11-05-97

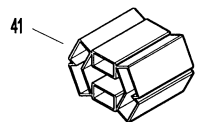
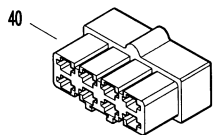
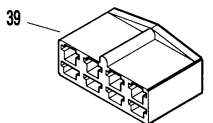
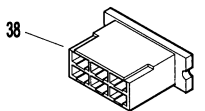
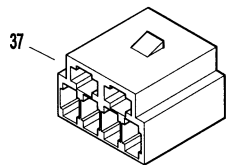
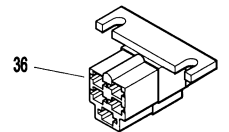
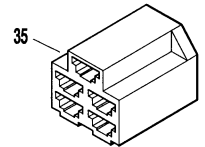
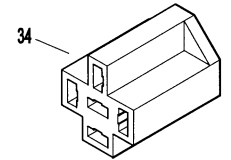
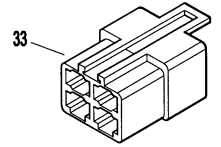
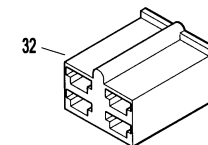
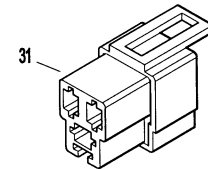
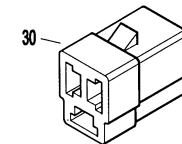
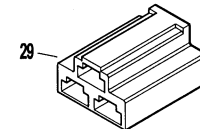
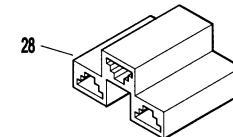
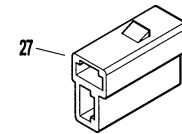
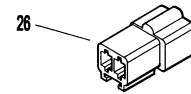
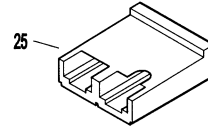
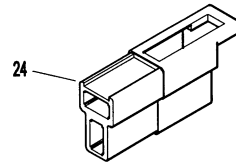
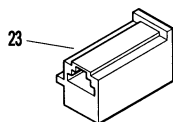
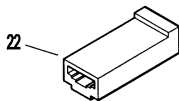
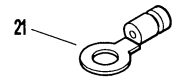
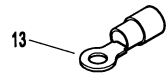
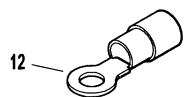
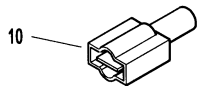
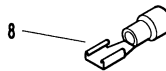
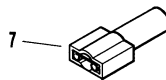
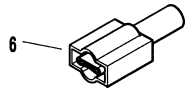
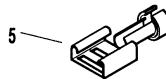
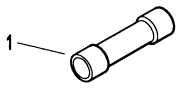
ELECTRICAL ASSEMBLY



ELECTRICAL CONNECTORS

ITEM NO.	PART NO.	DESCRIPTION	NO. REQ'D	ITEM NO.	PART NO.	DESCRIPTION	NO. REQ'D
Electrical Wiring Service Parts				24	7942-1	2-Way Locking Connector, Female	*
1	5996-1	16-14 GA Butt Conn.	*	25	7942-2	2-Way Connector, Male	*
2	5996-4	16-14 GA Bullet Conn., Male	*	26	7942-3	2-Way Connector, Female	*
3	5996-5	16-14 GA Bullet Conn., Female	*	27	7942-10	2-Way Locking Connector, Male	*
4	5940-4	16-14 GA Spg. Loaded Term., Female	*	28	5940-8	3-Way Connector, Male	*
5	5940-7	Brass Wire Clip, Female	*	29	7942-9	3-Way Connector, Male	*
6	5996	1/4 x 16-14 GA QKS Term., Female	*	30	8944	3-Way Locking Connector, Male	*
7	5996-2	3/16 x 22-18 GA QKS Term., Female	*	31	8944-1	3-Way Locking Connector, Female	*
8	7996	16-14 GA QKS Term., .187 (Female)	*	32	7942-11	4-Way Connector, Male	*
9	5940-5	16-14 GA Spg. Loaded Term., Male	*	33	7942-12	4-Way Connector, Female	*
10	5996-0	1/4 x 22-18 GA QKS Term., Male	*	34	7942-5	5-Way Connector, Male	*
11	7996-1	1/4 x 16-14 GA QKS Term., Male	*	35	5940-2	5-Way Connector, Male	*
12	5996-8	6 GA Ring Lug (5/16)	*	36	8942-1	5-Way Connector, Female	*
13	5996-9	22-18 GA Ring Term., #10	*	37	7942-6	6-Way Connector, Male	*
14	5996-10	16-14 GA Ring Term. (5/16)	*	38	7942-7	6-Way Connector, Male	*
15	5996-12	12-10 GA Ring Term. (5/16)	*	39	7942-8	8-Way Connector, Male	*
16	5996-13	16-14 GA Ring Term., #10	*	40	8942-2	8-Way Connector, Female	*
17	5996-15	12-10 GA Ring Term. (1/2)	*	41	8942-3	5-Way Connector, Male	*
18	5996-16	6 GA Ring Terminal (1/4)	*	* Service Part Only			
19	5996-17	16-14 GA Ring Term. (1/4)	*	NOTE: Not all Electrical Connectors are used with all assemblies.			
20	5996-20	12-10 GA Ring Term. (1/4)	*	NOTE: Refer to Electrical Assembly (Page 30) for locations of Wiring Harness and of all Electrical Wiring Service Parts.			
21	5996-21	12-10 GA Ring Term., #10	*				
22	7942-4	Single Connector, Male	*				
23	8942	2-Way Connector, Male	*				

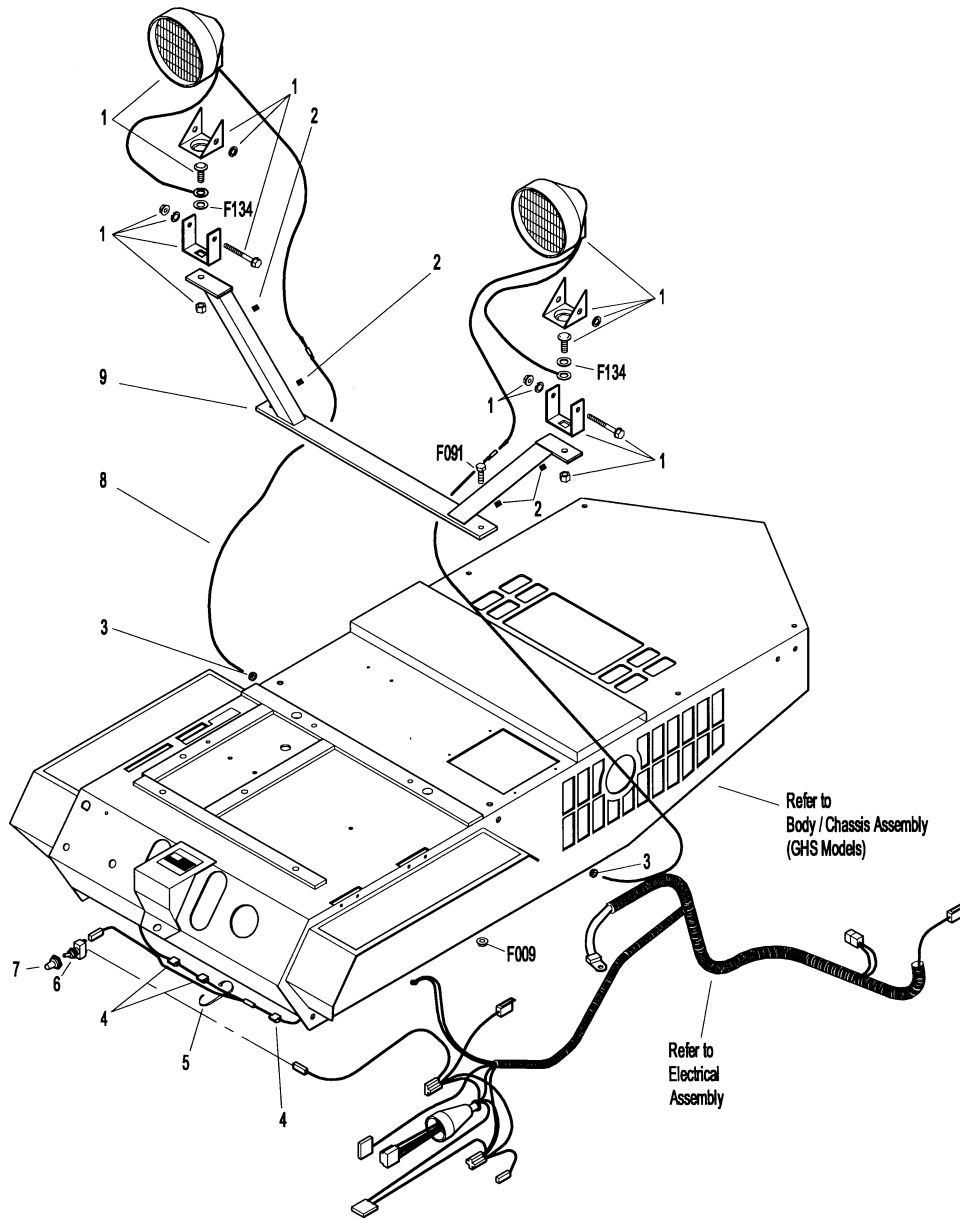
ELECTRICAL CONNECTORS



5989 LIGHT KIT

ITEM NO.	PART NO.	DESCRIPTION	NO. REQ'D	ITEM NO.	PART NO.	DESCRIPTION	NO. REQ'D
5989 Light Kit*				Fasteners			
1	5989-2	Light Assembly (Includes Sealed Beam Lamp)	2	F009		5/16-18 Whiz Locknut	2
	5989-6	Sealed Beam Lamp (Fits P/N 5989-2)	**	F091		5/16-18 x 5/8 Hex Bolt	2
2	7834-1	Half U-Wire Clip	4	F134		AN960816L Washer	2
3	5977-1	Grommet (1/8 x 3/8)	2	* May be ordered as a kit for dealer installation. Contact your Walker dealer.			
4	5975-5	Wire Clip, Self-Mount	3	** Service Part Only			
5	5975-1	Cable Tie (18# x 3-3/4")	1	NOTE: Upon installation of kit, Item # 3 replaces P/N 5989-4 (Dome Plug, 3/8), Item # 6 replaces P/N 5989-5 (Dome Plug, 7/16), and Item # F091 replaces P/N 5989-3 (Dome Plug, 5/16). Dome Plugs are not shown here. Refer to Body / Chassis Assembly (GHS Models), Page 4.			
6	5995	Toggle Switch (Off-On)	1	NOTE: Refer to Electrical Connectors (Page 32) for identification of all Electrical Wiring Service Parts.			
7	5995-2	Switch Boot	1				
8	7995-4	Power Lead Wire Assembly (Lights)	1				
9	7992	Mount Bracket, Lights (Includes Items # 5 & 6)	1				

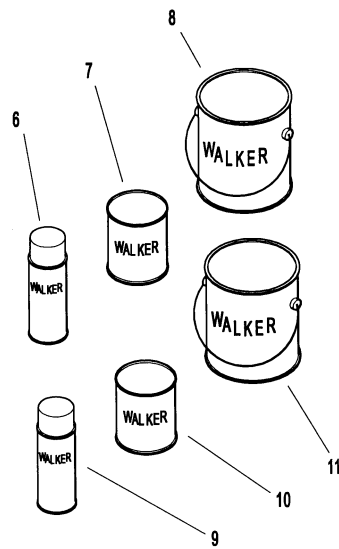
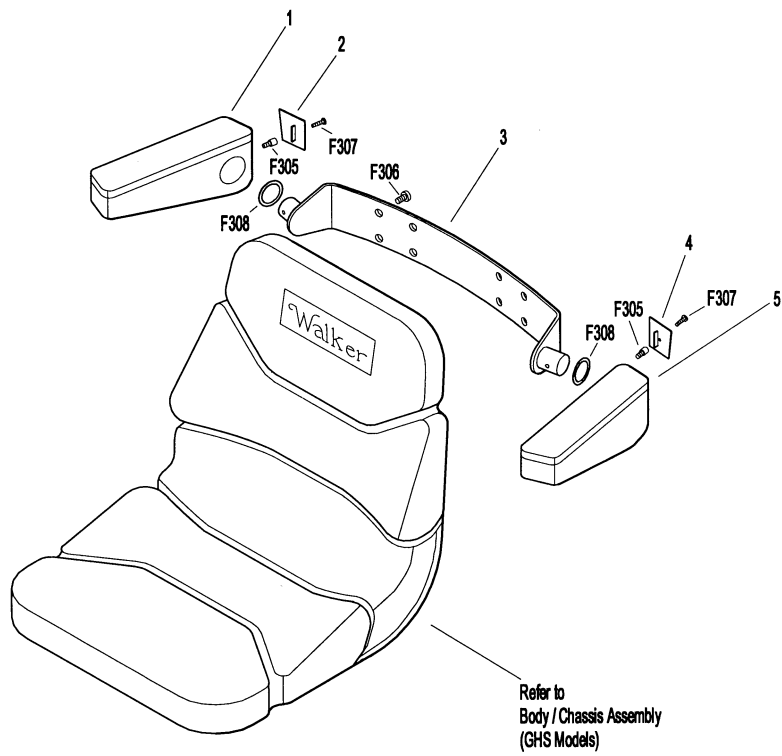
5989 LIGHT KIT



5885 ARMREST KIT & WALKER TOUCH-UP PAINT

ITEM NO.	PART NO.	DESCRIPTION	NO. REQ'D	ITEM NO.	PART NO.	DESCRIPTION	NO. REQ'D
5885-1 Armrest Kit*				Fasteners			
1	5886-1	Armrest, RH	1	F305		1/4-20 x 3/8 SH Cap Screw	2
2	5886-3	Cover Plate, RH	1	F306		3/8-16 x 3/4 Hex Bolt	4
3	5887	Mounting Bracket	1	F307		#10 x 5/8 PPHST Screw	2
4	5886-4	Cover Plate, LH	1	F308		1-1/4 x 1-5/8 Wave Spring Washer	2
5	5886-2	Armrest, LH	1				
	5888	Armrest Hardware Kit (Includes Items # F305, F306, F307 & F308)	**				
Walker Touch-Up Paint***				* May be ordered as a kit for dealer installation. Contact your Walker dealer.			
				** Service Part Only			
				*** Service Part Only, Walker Touch-Up Paint is not included with any replacement parts or kits and must be ordered separately.			
6	5866	Touch-Up Paint, Yellow (12 oz. Aerosol)					
7	5871	Touch-Up Paint, Yellow (1 qt.)					
8	5871-1	Touch-Up Paint, Yellow (1 gal.)					
9	5867	Touch-Up Paint, Grey (12 oz. Aerosol)					
10	5873	Touch-Up Paint, Grey (1 qt.)					
11	5873-1	Touch-Up Paint, Grey (1 gal.)					

5885 ARMREST KIT & WALKER TOUCH-UP PAINT



OPTIONAL TIRES & TIRE CHAIN SETS

ITEM NO.	PART NO.	DESCRIPTION	NO. REQ'D
----------	----------	-------------	-----------

Tire Chain Sets*

1	5675	Tire Chain Set (18 x 6.50-8) (Includes Item # 2) (For use with Standard Narrow Drive Tires)	1
	5675-2	Tire Chain Set (18 x 8.50-8) (Includes Item # 2) (For use with Wide Wheel & Tire Assy)	1
2	8070-4	Wheel Spacer Plate (1/2)	2**

Optional Wide Drive Tires*

3	5070-5	Wheel & Tire Assembly (18 x 8.50-8)	2
	5070-2	Tire Only (18 x 8.50-8)	***
	5070-4	Wheel Only (8 x 7)	***

ITEM NO.	PART NO.	DESCRIPTION	NO. REQ'D
----------	----------	-------------	-----------

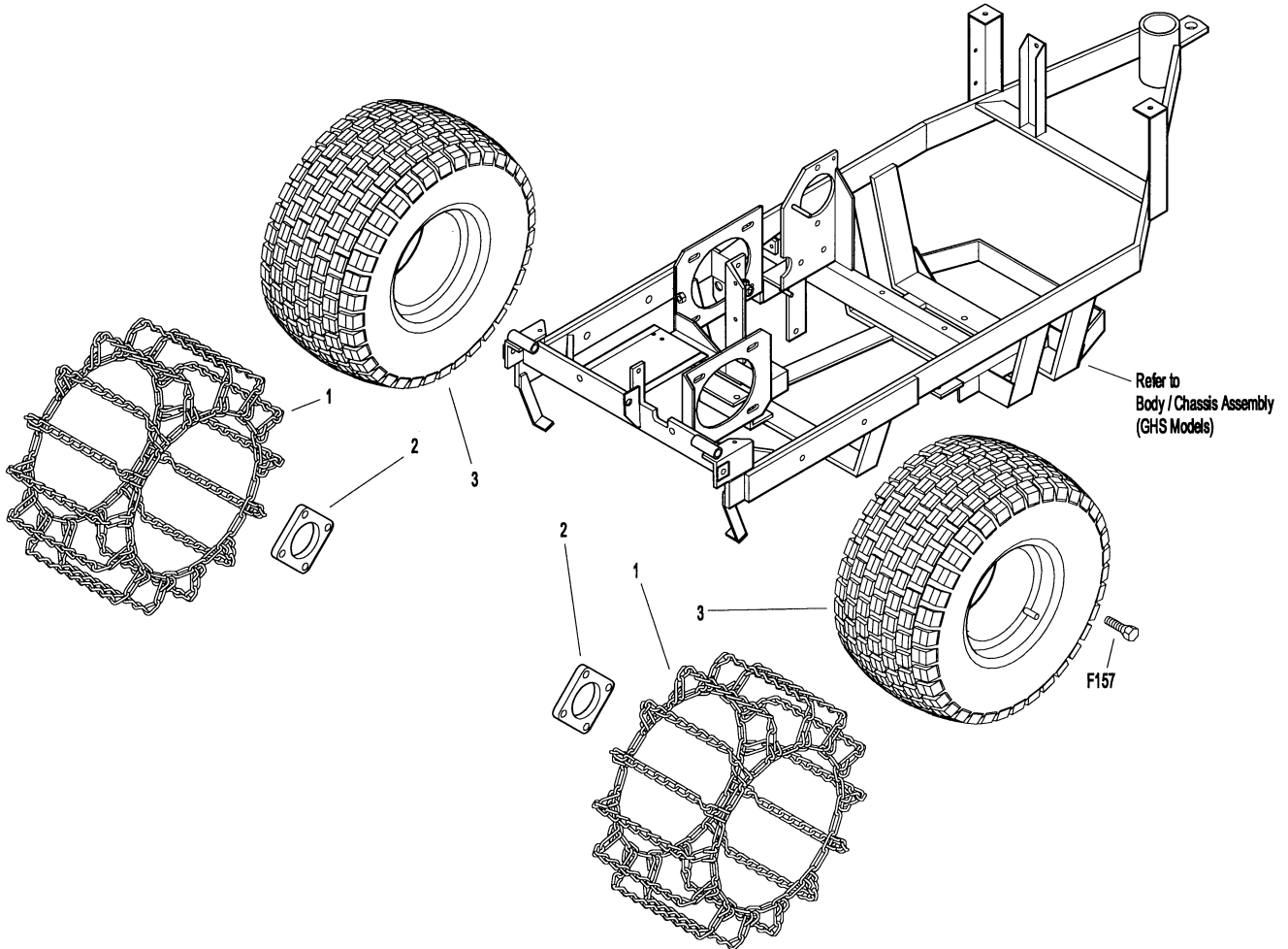
Fasteners

F157	1/2-20 x 1-1/4	Wheel Lug Bolt	8
------	----------------	----------------	---

- * May be ordered as a factory-installed option or as a kit for dealer installation. Contact your Walker dealer.
- ** Wheel Spacer Plates (Item 2) are included with Tire Chain Sets .
- *** Service Part Only

NOTE: Item F157 is reused from Body Assembly and is not included with this kit. Refer to Body / Chassis Assembly (GHS Models), Page 4.

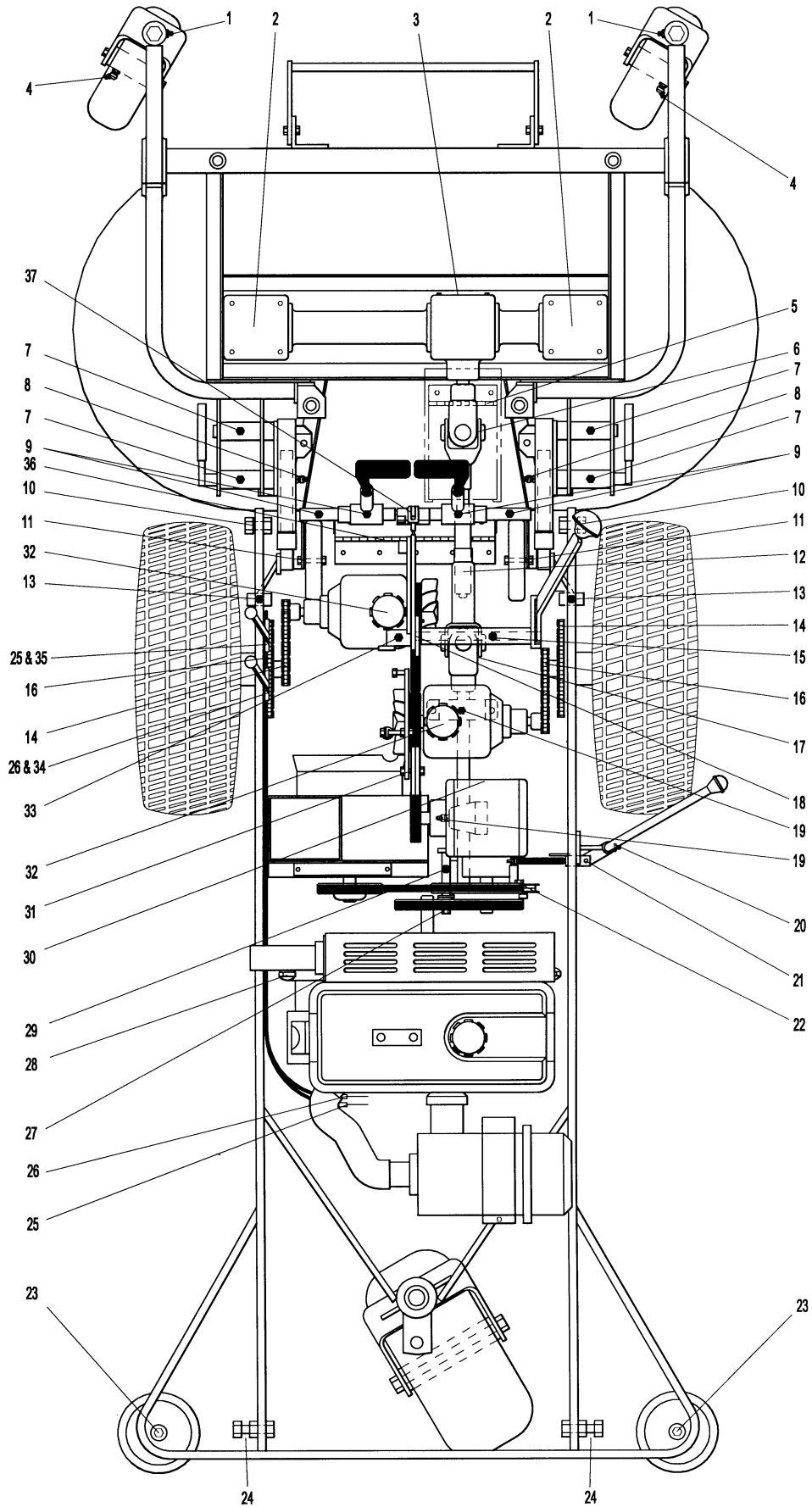
OPTIONAL TIRES & TIRE CHAIN SETS



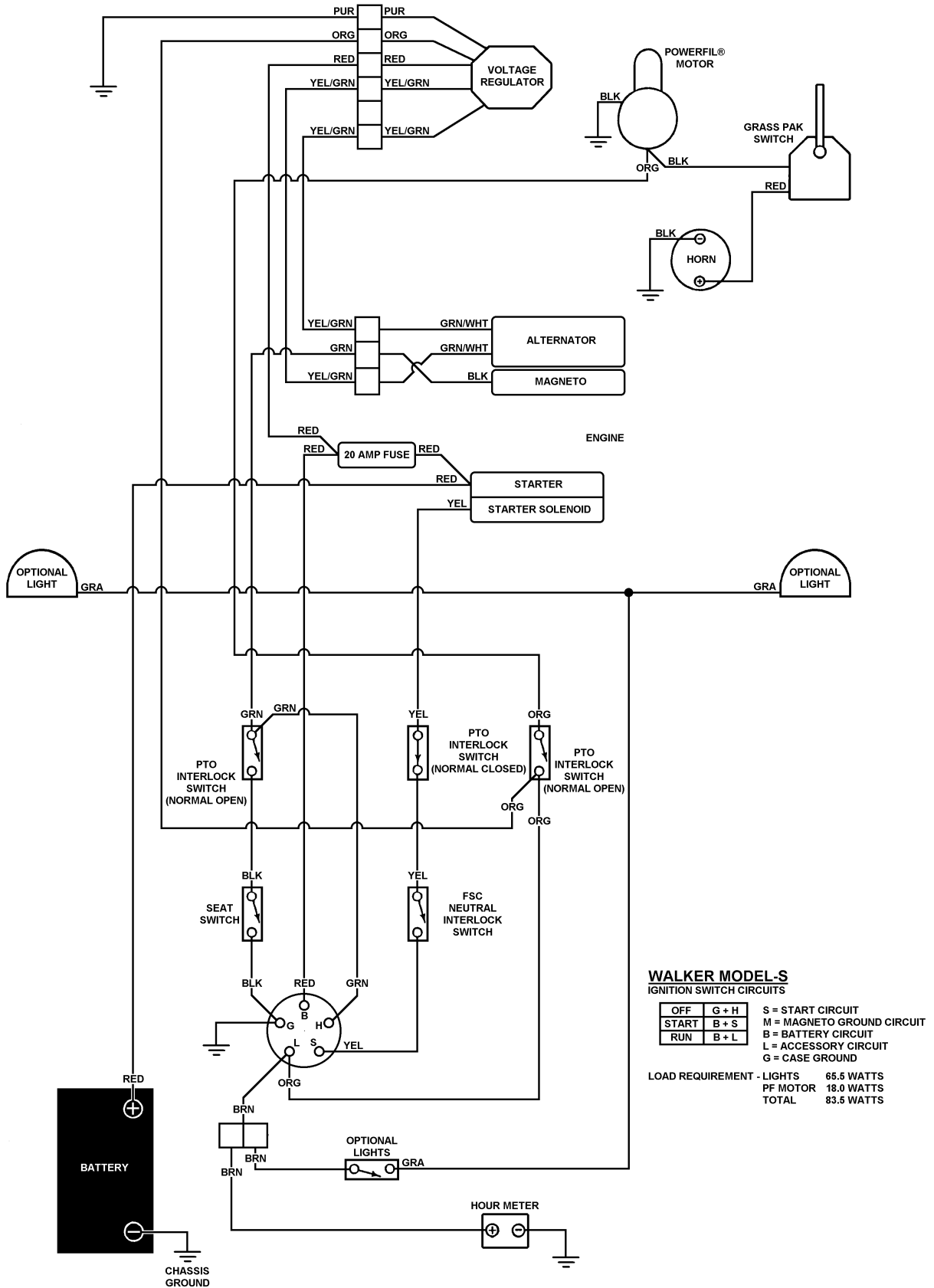
LUBRICATION POINTS

ITEM NO.	LOCATION	LUBRICATION TYPE	NO. PLACES	ITEM NO.	LOCATION	LUBRICATION TYPE	NO. PLACES
Lubrication Points				28	Engine Dipstick / Oil Filler	Oil ^s	1
1	Deck Caster Wheel Fork Pivot	Grease	2	29	Engine Belt Tightener Assembly	Grease	1
2	Blade Drive Gearbox	Oil*	2	30	Right Angle Gearbox, Tractor	Oil ^s	1
3	Tee Gearbox, Deck	Oil*	1	31	Ground Drive Idler Pulley	Oil	2
4	Deck Caster Wheel Bearing	Grease	2	32	Hydrostatic Drive	Oil ^s	2
5	PTO Shaft Guard Hinge	Oil	1	33	(FSC) Friction Body Pivot	Grease	1
6	Universal Joint Shaft Assembly	Grease**	1	34	Throttle Control Pivot	Oil	1
7	Pivot Assembly, Tilt-Up Deck	Grease	4	35	Choke Control Pivot	Oil	1
8	Deck Support Arm Socket	Grease	2	36	Discharge Chute Hinge	Oil	1
9	Steering Lever Pivot	Grease	4	37	FSC Actuator Rod Pivot Pins	Oil	2
10	Body Hinge Point	Oil	2	Not Shown - Gear Axle Drives (Optional) Parking Brake Lever (Optional)			
11	Deck Roller Wheel	Oil	2	* Gearboxes are permanently lubricated and sealed requiring no scheduled lubrication. Oil level should be checked only when an oil leak is noted.			
12	Deck-to-PTO Coupling	Grease	1	** Grease every eight (8) hours.			
13	Deck Support Arm Pivot	Grease	2	*** Sealed, relubricatable-type bearings, grease lightly once per year, do not over grease or seals will be damaged.			
14	Reduction Chain	Oil	2	^s See Owner's Manual for procedure for checking and changing oil in Engine Crankcase, Hydrostatic Transmissions, and Gear Axles.			
15	FSC Lever Pivot	Grease	1	NOTE: See Model MS Owner's Manual (P/N 5000-1) for proper lubrication intervals.			
16	Final Drive Chain	Oil	2	NOTE: DGHS42 Tilt-Up Mower Deck is shown for reference. For other Mower Deck Lubrication Points, Refer to Carrier Frames and Mower Decks Illustrated Parts Manual.			
17	Universal Joint Tube Assembly	Grease**	1				
18	FSC Lever Fork (Grease Slide Area)	Grease	1				
19	Pillowblock Bearing, Drive Shaft	Grease***	2				
20	Clutch Control Lever	Grease	1				
21	Clutch Control Clevis Pin	Oil	1				
22	PTO Idler Pulley	Oil	1				
23	Rear Bumper Roller Wheel	Oil	2				
24	Catcher Hinge Point	Oil	2				
25	Throttle Control Cable Ends	Oil	2				
26	Choke Control Cable Ends	Oil	2				
27	Engine Belt Idler Pulley	Oil	1				

LUBRICATION POINTS



WIRING SCHEMATIC



Use only genuine Walker replacement parts.

Effective Date 11-05-97

OPERATOR'S NOTES

OPERATOR'S NOTES

LIMITED WARRANTY FOR WALKER COMMERCIAL RIDER MOWER

1. WHAT THIS WARRANTY COVERS, AND FOR HOW LONG:

Walker Manufacturing company will, at its option, repair or replace, without charge, any part covered by this warranty which is found to be defective in material and/or workmanship within one (1) year* after date of sale to the original retail purchaser unless the product is used for rental purposes, in which case this warranty is limited to ninety (90) days. At Walker's request, customer will make the defective part available for inspection by Walker and/or return the defective part to Walker, transportation charges prepaid. All parts and components of the Walker Mower are covered by this warranty **except** the following components which are warranted separately by their respective manufacturers:

Kohler Engine
Kubota Engine
Kawasaki Engine
Eaton Hydraulic Transmission
Peerless Gearboxes
Battery
Tires

The available warranties covering these items are furnished with each mower. Walker does not assume any warranty obligation, liability or modification for these items, which are covered exclusively by the stated warranty of the respective manufacturers noted above.

* An extended three (3) year warranty is offered on the Walker P/N 6200 Gear Axle Assembly.

2. WHAT THIS WARRANTY DOES NOT COVER:

- A. This warranty does not cover defects caused by depreciation or damage caused by normal wear, accidents, improper maintenance, improper use or abuse of the product, alterations, or failure to follow the instructions contained in the Owner's Manual for operation and maintenance.
- B. The customer shall pay any charges for making service calls and/or for transporting the mower to and from the place where the inspection and/or warranty work is performed.

3. HOW TO OBTAIN SERVICE UNDER THIS WARRANTY:

Warranty service can be arranged by contacting the dealer where you purchased the mower or by contacting Walker Manufacturing Company, 5925 East Harmony Road, Ft. Collins, CO 80528. Proof of the date of purchase may be required to verify warranty coverage.

4. WARRANTY LIMITATION:

- A. **THERE IS NO OTHER EXPRESS WARRANTY. ANY WARRANTY THAT MAY BE IMPLIED FROM THIS PURCHASE INCLUDING MERCHANTABILITY AND FITNESS FOR A PARTICULAR PURPOSE IS HEREBY LIMITED TO THE DURATION OF THIS WARRANTY AND TO THE EXTENT PERMITTED BY LAW ANY AND ALL IMPLIED WARRANTIES ARE EXCLUDED.** Some states do not allow limitations on how long an implied warranty lasts, so the above limitations may not apply to you.
- B. **WALKER WILL NOT BE LIABLE FOR ANY INCIDENTAL, CONSEQUENTIAL, OR SPECIAL DAMAGES AND/OR EXPENSES IN CONNECTION WITH THE PURCHASE OR USE OF THE MOWER.** Some states do not allow the exclusion or limitation of incidental or consequential damages, so the above limitation(s) or exclusion(s) may not apply to you.
- C. Only the warranty expressed in this limited warranty shall apply and no dealer, distributor, or individual is authorized to amend, modify, or extend this warranty in any way. Accordingly, additional statements such as dealer advertising or presentations, whether oral or written, do not constitute warranties by Walker, and should not be relied upon.
- D. This warranty gives you specific legal rights, and you may also have other rights which vary from state to state.

WALKER MOWERS™

WALKER MFG. CO. • 5925 E. HARMONY ROAD, FORT COLLINS, CO 80528 • (970) 221-5614
FORM NO. 021198 PRINTED IN USA ©1998 WALKER MFG. CO