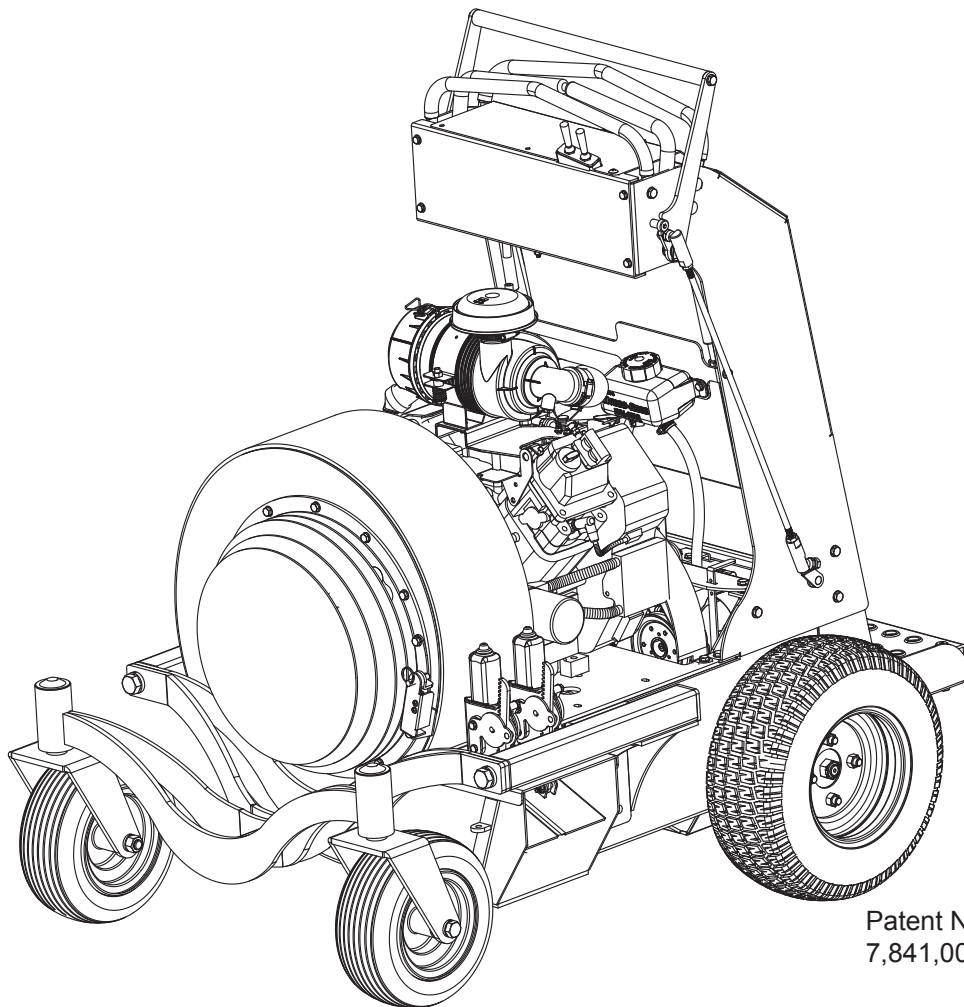




## Commercial Debris Blower

# Parts Manual



Patent Number  
7,841,004,B1

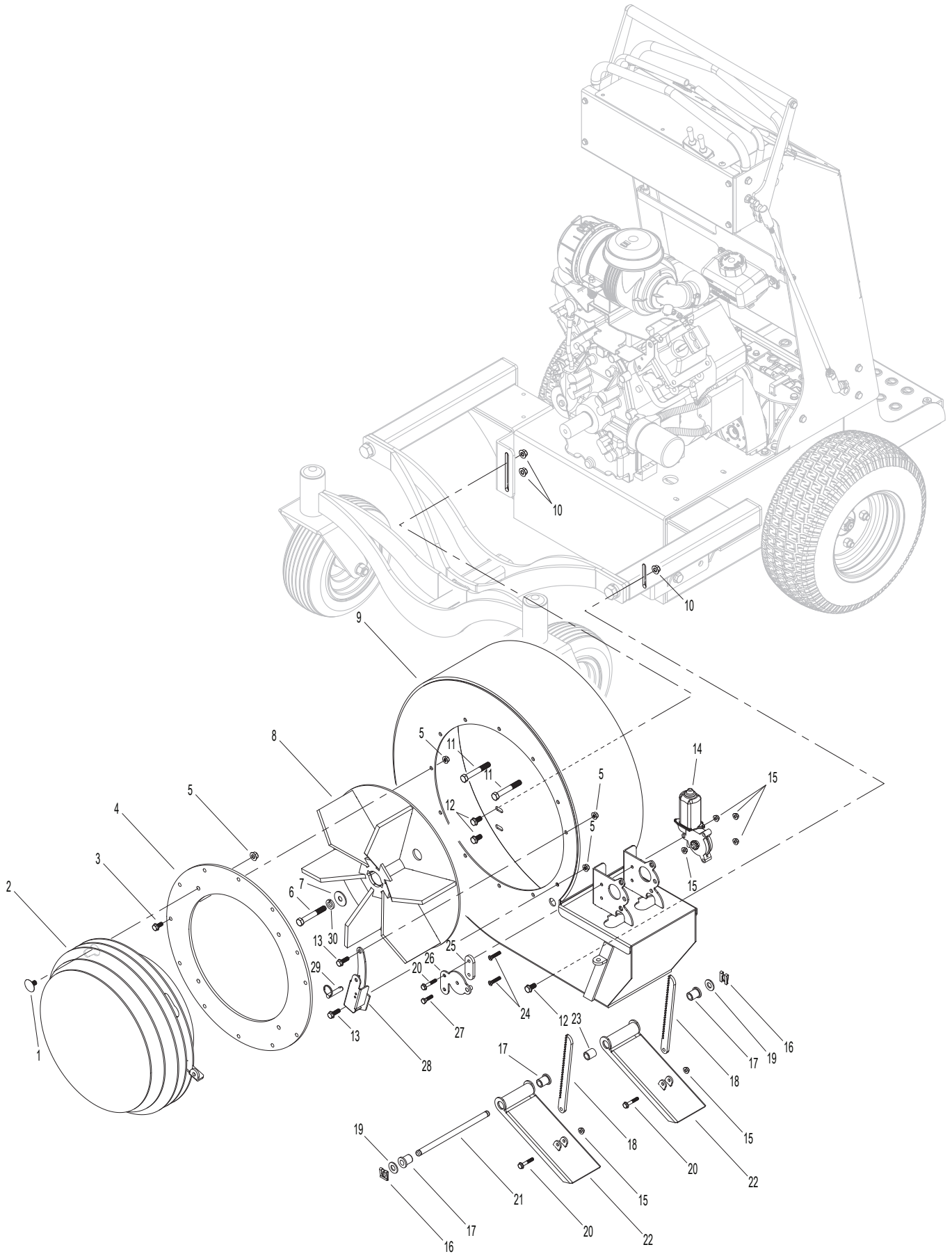
# BLOWER COMPONENTS

Blower

Blo-Vac

Blower			Blo-Vac			
Part Number	Description	Quantity	Part Number	Description	Quantity	
1	425-1011-46604	Safety Cover Locking Button	4	16 101-17-6427	Safety Clip	2
2	101-10-2007	Safety Cover	1	17 0117-081216	1/2 Plastic Bushing	3
3	15108	5/16-18 x 3/4 Flange Bolt	10	18 101-16-1821	Deflector Rack	2
4	101-16-2003	Safety Cover Ring	1	19 15124	1/2 SAE Washer	2
5	15107	5/16-18 Flange Nut	13	20 15103	1/4-20 x 1-1/2 Flange Bolt	4
6	15092	7/16-20 x 2-3/4 Hex Bolt	1	21 425-1011-46622	Deflector Support Rod	1
6A	15093	5/8-18 x 3 Hex Bolt	1	22 101-10-2023	Deflector	2
7	425-1091-2009	7/16 - Impeller Washer	1	23 0117-081216C	1/2 Plastic Sleeve	1
7A	452-1091-2008	5/8 - Impeller Washer	1	24 15104	1/4-20 x 1-1/4 Phillips Head Machine Screw	4
8	107-10-201518	1-1/8 Impeller	1	25 101-16-2029	Rack Spacer	2
8A	107-10-2015	1-7/16 Impeller	1	26 101-10-2028	Rack Keeper	2
9	101-10-200110	Blower Housing	1	27 15102	1/4-20 x 3/4 Flange Bolt	2
10	15111	3/8-16 Flange Nut	3	28 101-10-2008	Safety Cover Switch Bracket	1
11	15095	7/16-14 x 2-1/2 Flange Bolt	2	29 15097	5/16 Lock Pin with Vac-Kit	1
12	15112	3/8-16 x 3/4 Flange Bolt	3	29B 15108	5/16-18 Flange Bolt Without Vac-Kit	1
13	15096	5/16-18 x 1 Flange Bolt	2	30 15098	7/16 Lock Washer	1
14	101-18-1802	Deflector Motor	2	30A 15099	5/8 Lock Washer	1
15	15109	1/4-20 Flange Nut	10			

# BLOWER COMPONENTS



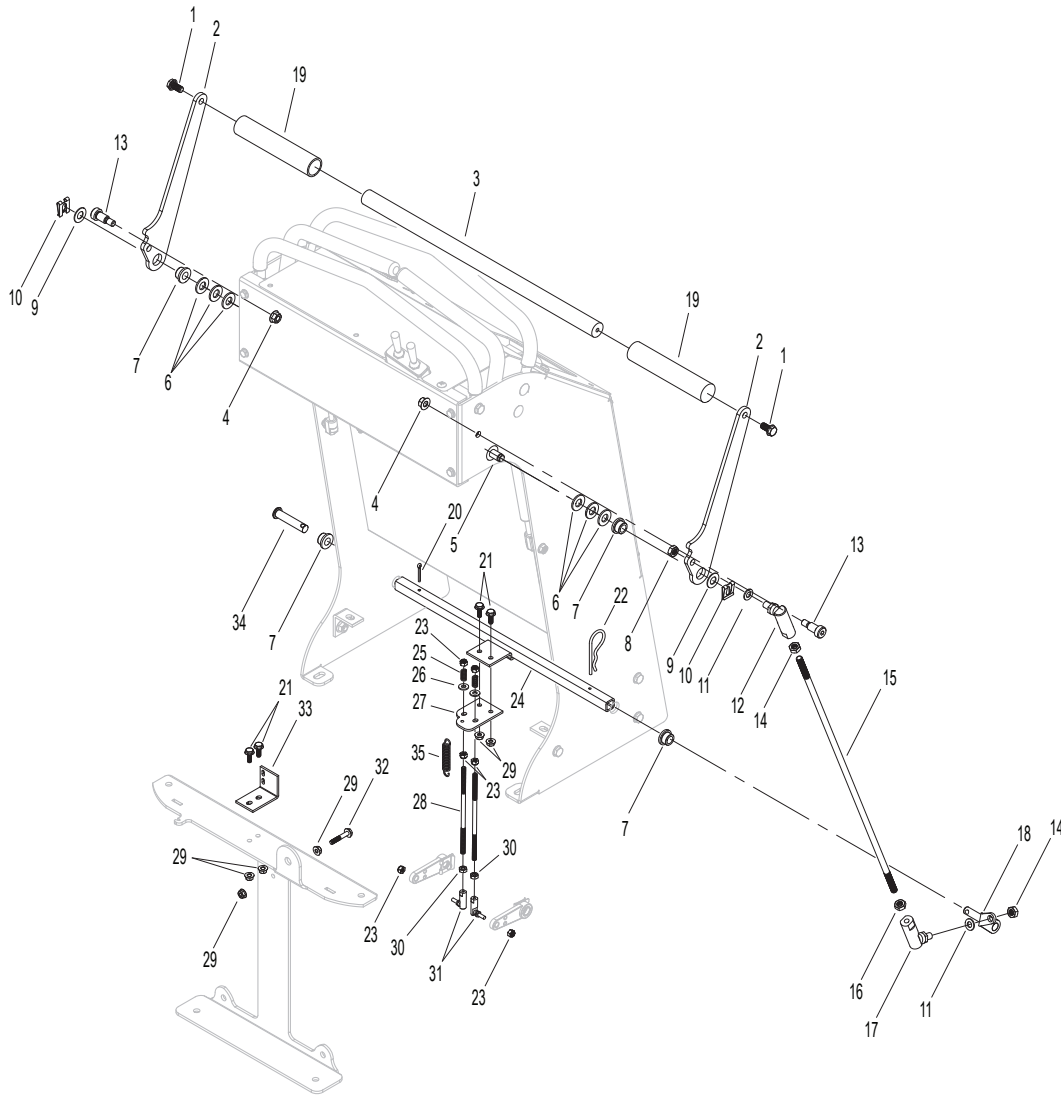
# BRAKE ASSEMBLIES

Brakes

Blo-Vac

Part Number	Description	Quantity	Part Number	Description	Quantity		
1	15112	3/8-16 X 3/4 Flange Bolt	2	19	6422	Brake Bar Grip	2
2	102-16-2003	Brake Arm	2	20	15162	1/8 Cotter Pin	1
3	425-1091-2007	Brake Handle	1	21	15102	1/4-20 x 3/4 Flange Bolt	4
4	15111	3/8-16 Flange Nut	2	22	15089	1/8 R-Key	1
5	425-1021-46612	1/2 Control Support Rod	1	23	15140	1/4-28 Nylock Nut	6
6	15124	1/2" SAE Washer	6	24	114-10-3011	Lower Brake Bar	1
7	0117-081208	1/2 Plastic Bushing	4	25	15079	Compression Spring	2
8	15074	3/8"-24 Jam Nut	1	26	15080	1/4 Washer	2
9	15075	3/4 Thru-Hard Washer	2	27	114-10-3012	Lower Brake Plate	1
10	101-17-6427	Safety Clip	2	28	2500-7500	1/4-28 x 7-1/2 Linkage Rod	2
11	15071	3/8" Lock Washer	2	29	15101	1/4-20 Flange Nut	6
12	102-17-4633	Ball Joint RH 3/8"	1	30	15086	1/4-28 Left Hand Nut	2
13	15076	1/2 x 3/4" Shoulder Bolt	2	31	102-17-4627	Left Hand 90° Knuckle	2
14	15077	3/8-24 Nut	2	32	15103	1/4-20 x 1-1/2 Flange Bolt	1
15	3750-25500	3/8-24 x 25-1/2 Linkage Rod	1	33	114-10-3013	Brake Switch Bracket	1
16	15078	3/8-24 Left Hand Nut	1	34	15060	1/2 x 2-1/2 Clevis Pin	1
17	102-17-4627	Ball Joint LH 3/8"	1	35	15127	#77 Extension Spring	1
18	114-10-3010	Brake Z-Bend Pin	1				

# BRAKE ASSEMBLIES



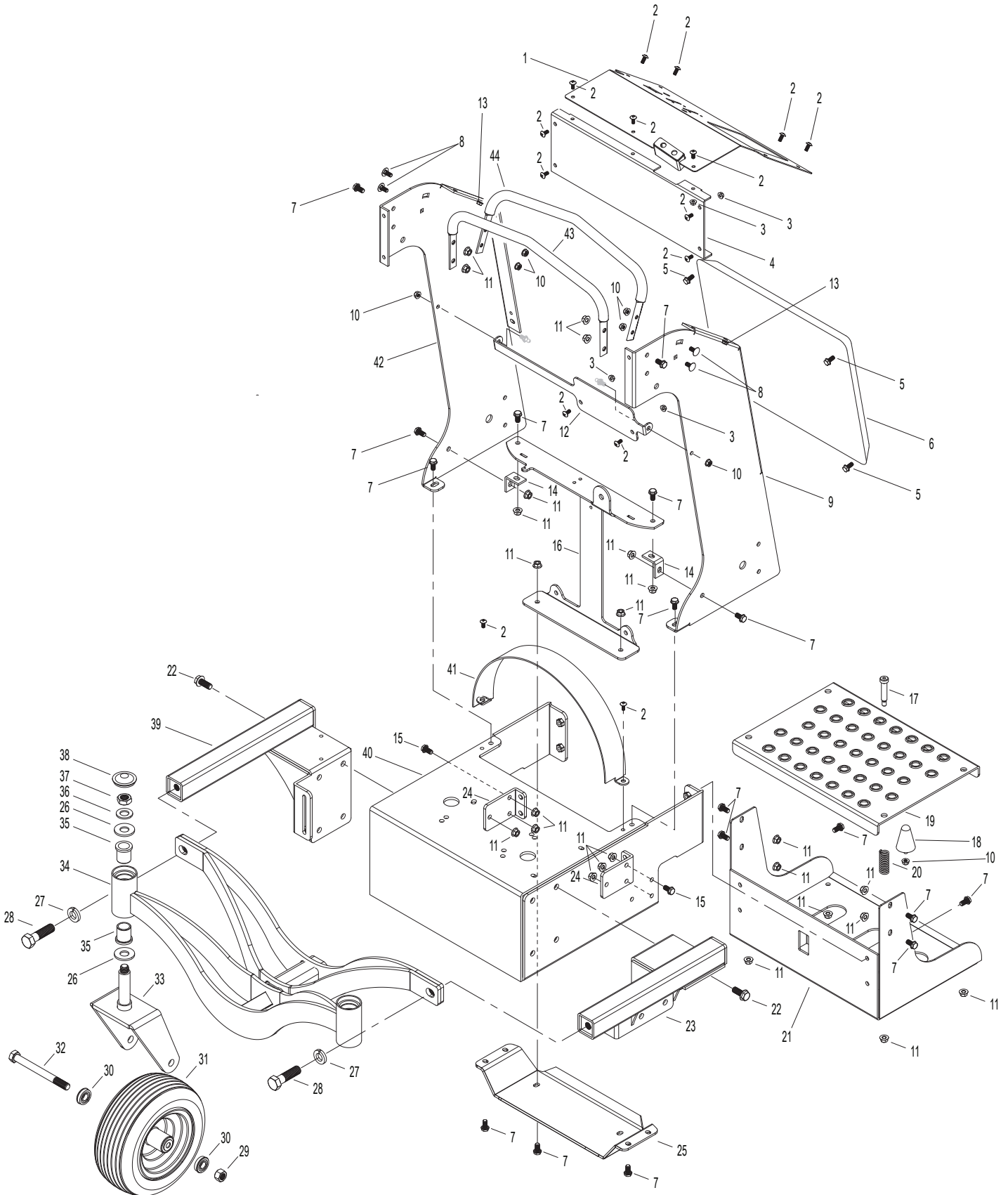
# CHASSIS COMPONENTS

Chassis

Blo-Vac

Part Number	Description	Quantity	Part Number	Description	Quantity		
1	104-16-2001	Dash	1	22	15064	Bolt 1/2-13 x 1-1/4	8
2	15102	1/4-20 x 3/4 Flange Bolt	15	23	108-10-2018	Left Frame	1
3	15101	1/4-20 Flange Nut	13	24	114-10-3017	5-Hole L-Bracket	2
4	112-10-2007	Dash Front Panel	1	25	114-10-3018	Skid Plate	1
5	15108	5/16-18 x 3/4 Flange Bolt	4	26	15136	1 x 10 Gauge	4
6	112-18-1812	Pad	1			Machine Bushing	
7	15112	3/8-16 x 3/4 Flange Bolt	22	27	15065	Lock Washer 3/4	2
8	15109	5/16-18 x 3/4 Carriage Bolt	4	28	15066	3/4-10 x 2-3/4 Hex Bolt	2
9	112-16-201410	Right Upright	1	29	15154	5/8-11 Nylock Nut	2
10	15107	5/16-18 Flange Nut	8	30	109-17-7011	Caster Bearings	4
11	15111	3/8-16 Flange Nut	24	31	109-17-7012	Caster Wheel & Tire	2
12	114-10-3014	Hydro Tank Bracket	1	32	15153	Bolt 5/8-11 x 6-1/2	2
13	15061	1/4-20 Riv-Nut	2	33	109-10-2010	Caster Fork	2
14	114-10-3015	L-Bracket 2-Hole	2	34	109-10-2001	Front End Frame Assembly	1
15	15062	3/8-16 x 1 Flange Bolt	6	35	0117-162024	Plastic Bushing	4
16	114-10-3016	Hydro I-Beam	1	36	15137	3/4 Machine Bushing	2
17	15148	Bolt Shoulder 2 x 1/2	4	37	15139	3/4-10 Nylon Jamb Nut	2
18	425-16-11100	Rubber Mount	2	38	15161	Plastic Grease Cap	2
19	108-16-2001	Foot Pad	1	39	108-10-2006	Right Frame	1
20	15063	Spring Front	2	40	108-10-201310	Chassis Box	1
21	108-10-2012	Foot Tray	1	41	425-427-428 BG	Belt Guard	1
				42	112-16-201310	Left Upright	1
				43	16-30501	Forward Stop	1
				44	16-30502	Reverse Stop	1

# CHASSIS COMPONENTS



# HYDROSTATIC COMPONENTS

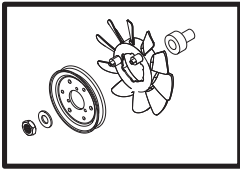
Hydro

Blo-Vac

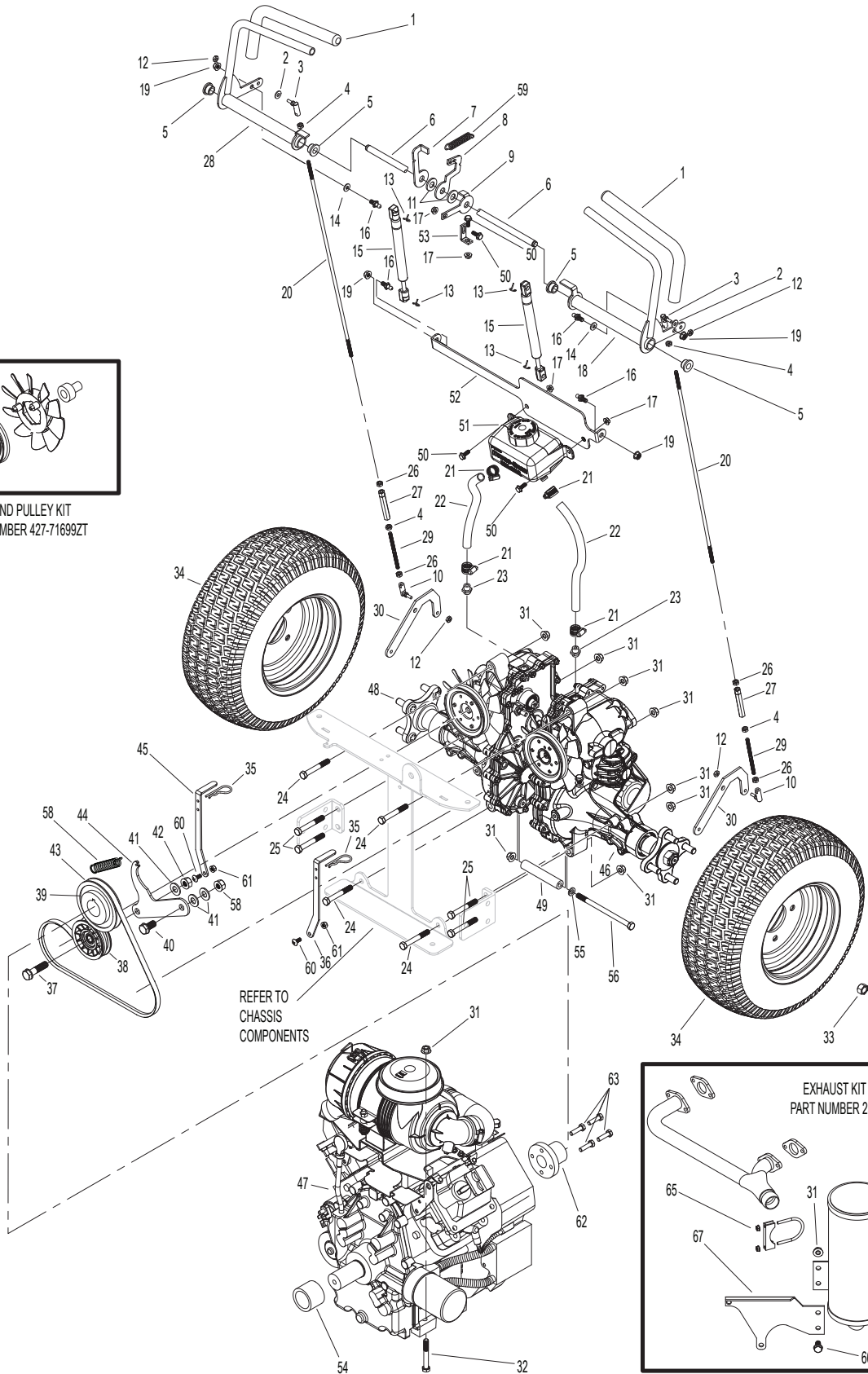
Part Number	Description	Quantity	Part Number	Description	Quantity		
1	139529	Control Grip	2	35	15089	R-Key	2
2	15080	1/4 Lock Washer	2	36	114-10-3005	Left Neutral Release	1
3	103-17-4633	1/4-28 Right Hand 90 Knuckle	2	37	15149	1/2-13 x 2-1/4 Flange Bolt	1
4	15081	1/4-28 Right Hand Nut	4	38	17-4101	Plastic Idler Pulley	1
5	0117-081208	1/2 Plastic Bushing	4	39	425-3211	4" Drive Pulley	1
6	425-1021-46612	1/2 Control Support Rod	1	40	15070	1/2-13 x 1-3/4 Flange Bolt	1
7	114-10-3001	Neutral Safety Switch Stop	1	41	15124	1/2 SAE Washer	2
8	114-10-3002	Neutral Safety Switch Bracket	1	42	15146	1/2-13 Flange Nut	1
9	114-10-3003	Neutral Centering Bracket	1	43	1515-4343A	A-43 Drive Belt	1
10	102-17-4627	1/4-28 Left Hand 90 Knuckle	2	44	114-50-3004	Idler Pulley Arm	1
11	0117-1208	1/2 Plastic Washer	2	45	114-10-3006	Right Neutral Release	1
12	15140	1/4-28 Nylock Nut	4	46	3A7B-1XXX	Left Hydro Pump	1
13	103-17-4431	Dampener Clip	4	47	107-17-2225	24 HP Subaru Engine	1
14	15082	5/16 Lock Washer	2		107-17-2227	27 HP Kohler Engine	1
15	425-103-174430	Dampener	2	48	3A7C-1XXX	Right Hydro Pump	1
16	103-17-4429	Ball Stud	4	49	114-10-3007	Hydro Spacer Tube	1
17	15109	1/2-13 Flange Nut	4	50	15102	1/4-20 x 3/4 Flange Bolt	4
18	102-10-2010	Left Control Handle	1	51	71354	Hydro Tank	1
19	15107	5/16-18 Flange Nut	4	52	114-10-3008	Hydro Tank Bracket	1
20	2500-20500	1/4-28 x 20-1/2 Linkage Rod	2	53	114-10-3009	Neutral Switch L-Bracket	1
21	15083	Oetiker Clamp	4	54	425-1071-2017	Spacer Hub 1-1/8	1
22	425-70054	1/2 Hydro Hose	2		425-1071-2018	Spacer Hub 1-7/16	1
23	HU001	Hydro Fitting	2	55	15071	3/8 Lock Washer	1
24	15084	3/8-16 x 2-1/4 Flange Bolt	4	56	15072	3/8-16 x 7-1/2 Hex Bolt	1
25	15085	3/8-16 x 2-3/4 Flange Bolt	4	57	15073	1/2-13 Nylock Nut	1
26	15086	1/4-28 Left Hand Nut	4	58	15126	#317 Extension Spring	1
27	103-17-4635	1/4-28 x 3 Turnbuckle	2	59	15128	#29 Extension Spring	1
28	102-10-2011	Right Control Handle	1	60	15102	1/4-20 x 3/4 Flange Bolt	2
29	2500-4500	1/4-28 x 4-1/2 Linkage Rod	2	61	15067	1/4-20 Nylock Nut	2
30	114-10-3004	Hydro Pump Bracket	2	62	425-427-2010	Flywheel Input Shaft	1
31	15111	3/8-16 Flange Nut	15		425-427-2010K	Flywheel Input Shaft	1
32	15087	3/8-16 x 2-1/2 Flange Bolt	4	63	15069	(Kohler)	
33	15088	1/2-20 Lug Nut	8	64	25-6510	M8-1.25 x 30 MM	4
34	113-17-7012	18 x 8.5 x 8 Turf Saver	2	65	25-6511	Exhaust Kit	1
				66	15112	1-1/4 Muffler Clamp	1
				67	25-6512	3/8-16 x 3/4 Flange Bolt	2
						Muffler Mount	1



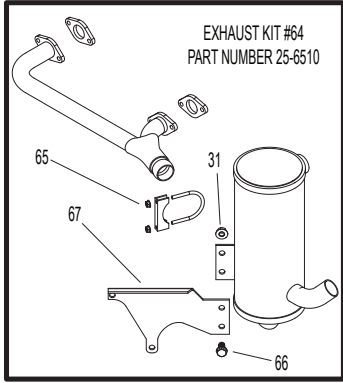
# HYDROSTATIC COMPONENTS



FAN AND PULLEY KIT  
PART NUMBER 427-71699ZT



REFER TO  
CHASSIS  
COMPONENTS



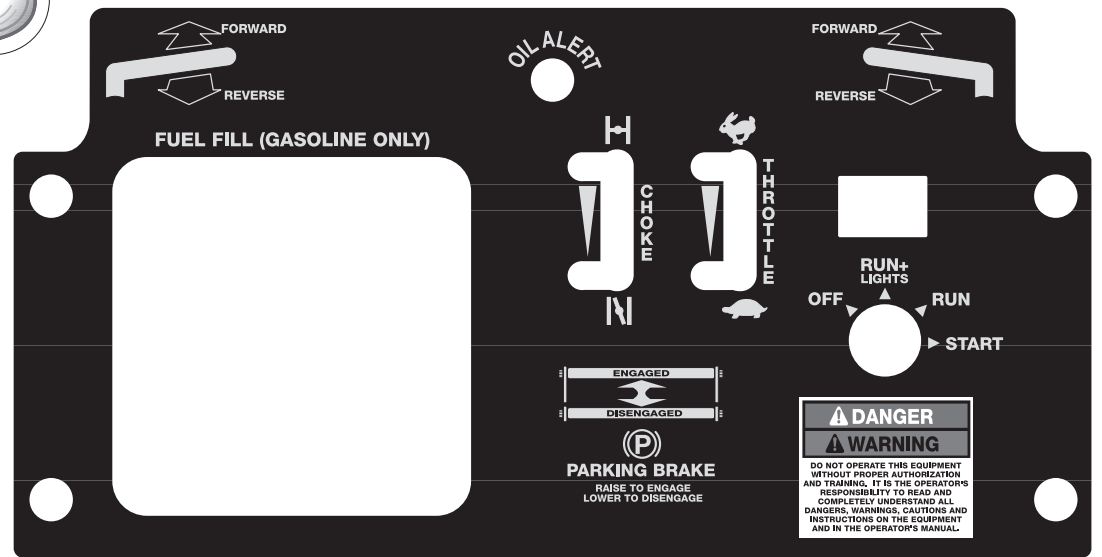
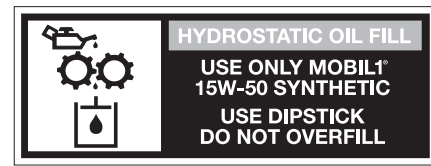
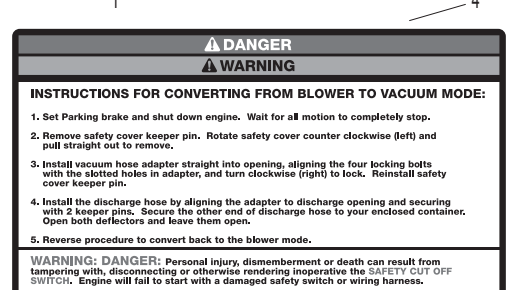
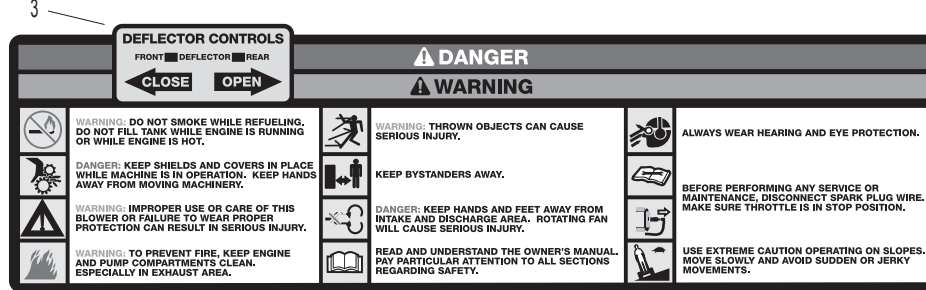
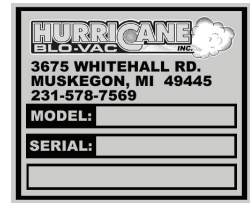
EXHAUST KIT #64  
PART NUMBER 25-6510

# DECALS

Decals

Blo-Vac

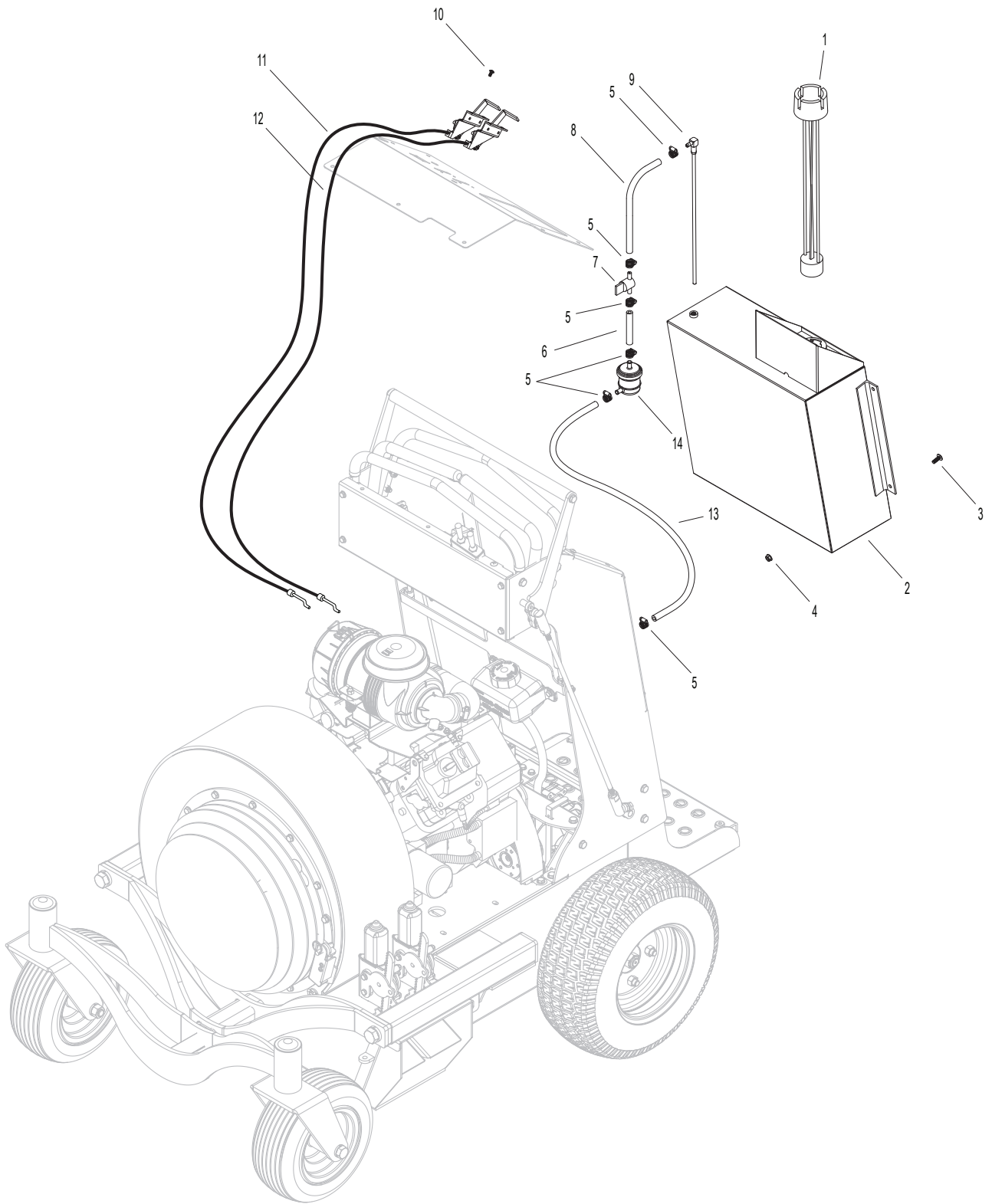
	<b>Part Number</b>	<b>Description</b>	<b>Quantity</b>		<b>Part Number</b>	<b>Description</b>	<b>Quantity</b>
1	425-4201	Front Logo Decal	1	8	425-4209	Hydro Decal	1
2	425-4212	Data Plate	1	9	425-4206	Danger Decal	2
3	425-4210	Top Dash Decal	1	10	425-4204	Made in the USA Decal	1
4	425-4207	Blower Decal	1	11	425-4211	Dash Controls Decal	1
5	425-4202	Left Logo Decal		12	425-4205	Hot Decal	1
	425-4203	Right Logo Decal	2				
6	425-425	Safety Cover Decal	1				
	427-427	Safety Cover Decal					
	428-428	Safety Cover Decal					
7	425-4208	Pinch Decal	1				



**FUEL AND THROTTLE COMPONENTS**

	<b>Part Number</b>	<b>Description</b>	<b>Quantity</b>		<b>Part Number</b>	<b>Description</b>	<b>Quantity</b>
1	1101-73601	Fuel Cap W/Gauge	1	7	1101-73805	Ball Valve Fuel Shutoff	1
2	1101-02002	Fuel Tank	1	8	425-12-14650	Fuel Line 1/4 x 6.5	1
3	15091	1/4-20 x 3/4 FPHMS	4	9	1101-73811	Fuel Pickup	1
4	15101	1/4-20 Flange Nut	4	10	15090	10-32 BT Hex Screw	4
5	425-12-1414	Spring Hose Clamp	6	11	425-1041-76010	Throttle Cable	1
6	425-12-14350	Fuel Line 1/4 x 3.5	1	12	425-1041-76010	Choke Cable	1
				13	425-12-14280	Fuel Line 1/4 x 28	1
				14	110-17-5403	Fuel Filter	1

# FUEL AND THROTTLE COMPONENTS



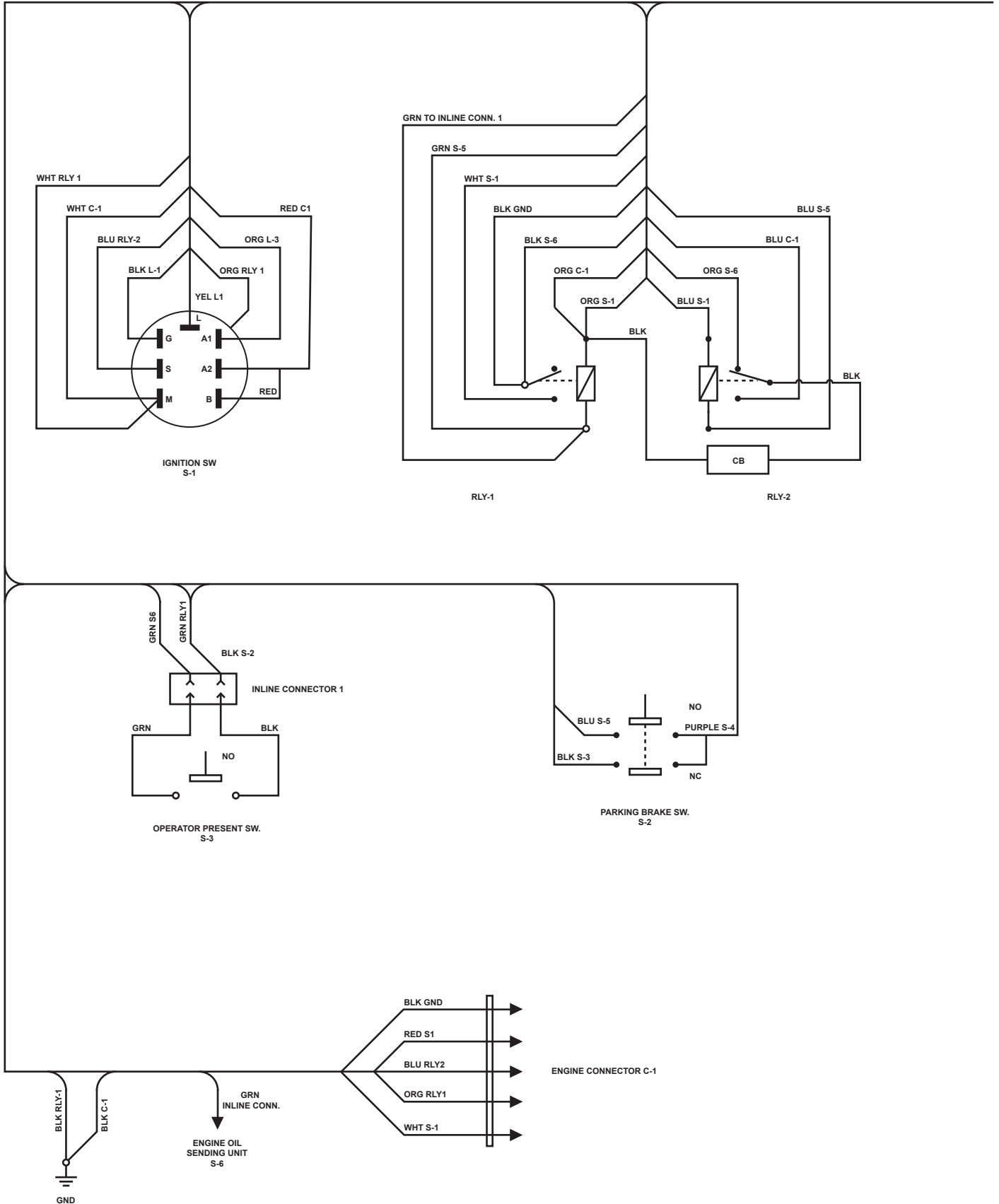
# ELECTRICAL COMPONENTS

Electrical

Blo-Vac

	<b>Part Number</b>	<b>Description</b>	<b>Quantity</b>		<b>Part Number</b>	<b>Description</b>	<b>Quantity</b>
1	106-17-4001	U1 Battery	1	13	104-17-2805	Warning Light	1
2	106-18-1802	Positive Battery Cable	1	14	106-17-2817	Relay	1
3	106-18-1803	Negative Battery Cable	1	15	106-17-5618	Safety Switch 1P	3
4	104-17-5205	Tach	1	16	101-18-1802	Deflector Motor Left	2
	106-18-1804	Tach Harness	1	17	106-17-5420	Work Light	2
5	106-17-3005	Switch Extension (Red)	2	18	106-18-1822	Main Wiring Harness	1
6	106-17-2806	Switch Seal	2	19	15106	10-32 Keps Nut	8
7	106-17-3007	Reversing Switch	2	20	15107	5/16-18 Flange Nut	2
8	104-17-5606	Ignition Switch	1	21	15105	10-32 Machine Screw	8
9	104-17-5607	Ignition Switch Nut	1	22	15108	5/16-18 x 3/4 Flange Bolt	2
10	104-17-5608	Ignition Switch Key	2	23	15050	1/4-20 Stainless Machine Screw	2
11	101-17-5612	Safety Switch 2P	2				
12	106-17-4012	Battery Box With Strap	1	24	15109	1/4-20 Flange Nut	2







# ELECTRICAL SCHEMATIC

