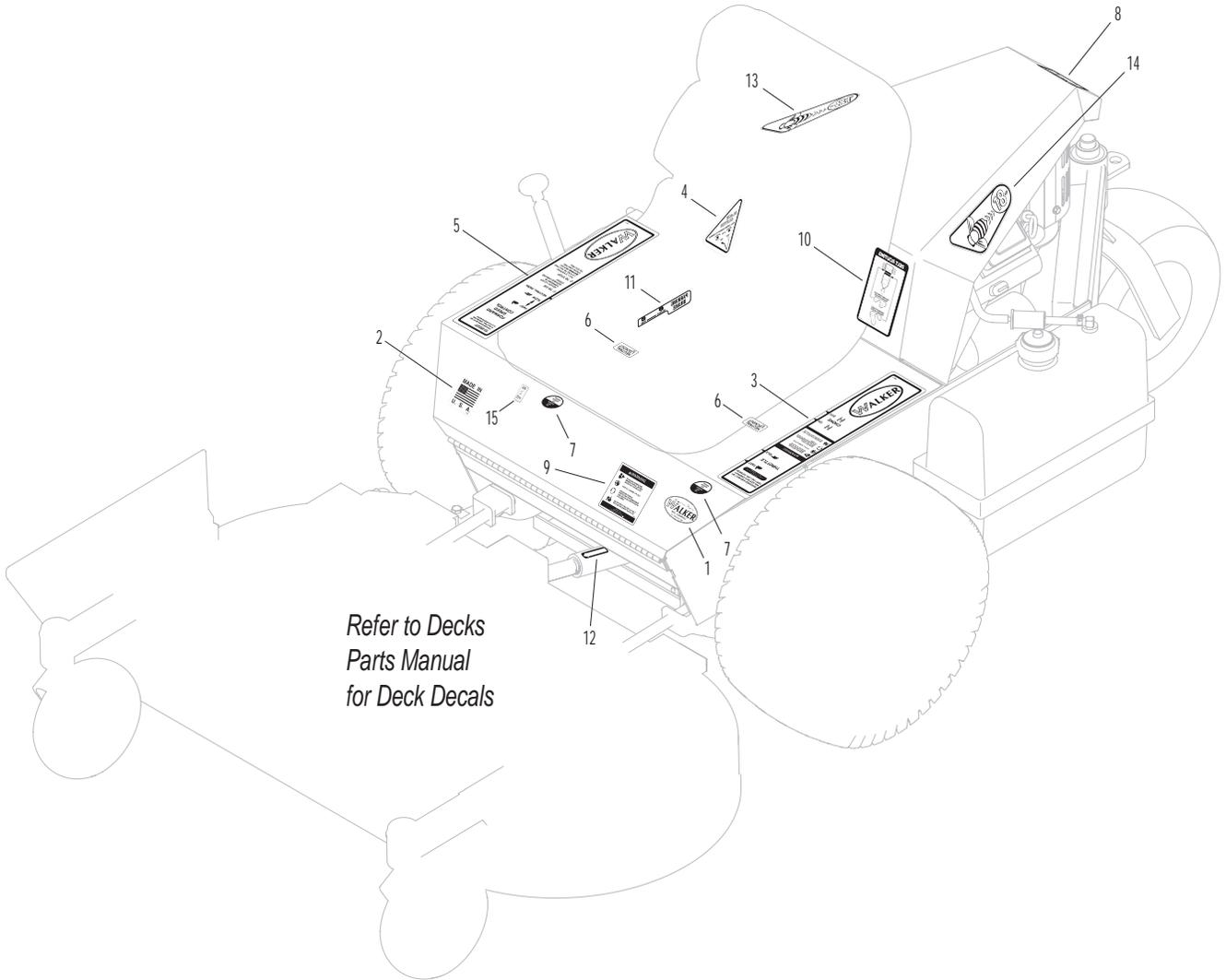


# TRACTOR DECALS

ITEM NO.	PART NO.	DESCRIPTION	LOCATION	NO. REQ'D SD
<b>Walker Product and Operation Decals</b>				
1	5803	Walker Manufacturing Logo	Body	1
2	5856	Made In USA	Body	1
3	5802-2	LH Fender	Body, LH Side Near Seat	1
4	4107-6	PTO Clutch	Chassis	1
5	5802-1	RH Fender	Body, RH Side Near Seat	1
6	9804	Axle Lockout	Chassis	2
7	4024-2	Oil Reservoir	Chassis	2
<b>Danger Decals Warning Decals Caution Decals</b>				
8	5805	Caution, Engine Exhaust	Rear Body	1
9	7818	Warning, Read Manual	Body	1
10	4107-5	Decal, Belt Routing	On Guard	1
<b>Maintenance Decals</b>				
11	7809	Decal, Parking Brake	Body, RH Side below Seat	1
12	6875	PTO Alignment Arrow	Universal Joint Tube Assembly	1
13	4105-8	Decal/RH, 18HP	Body	1
14	4105-9	Decal/LH, 18HP	Body	1
<b>Option Decals (applied only to units with corresponding Options installed)</b>				
15	5877	Lights, On-Off	Body	1

**NOTE:** All parts requiring decals are shipped with decals applied.

# TRACTOR DECALS



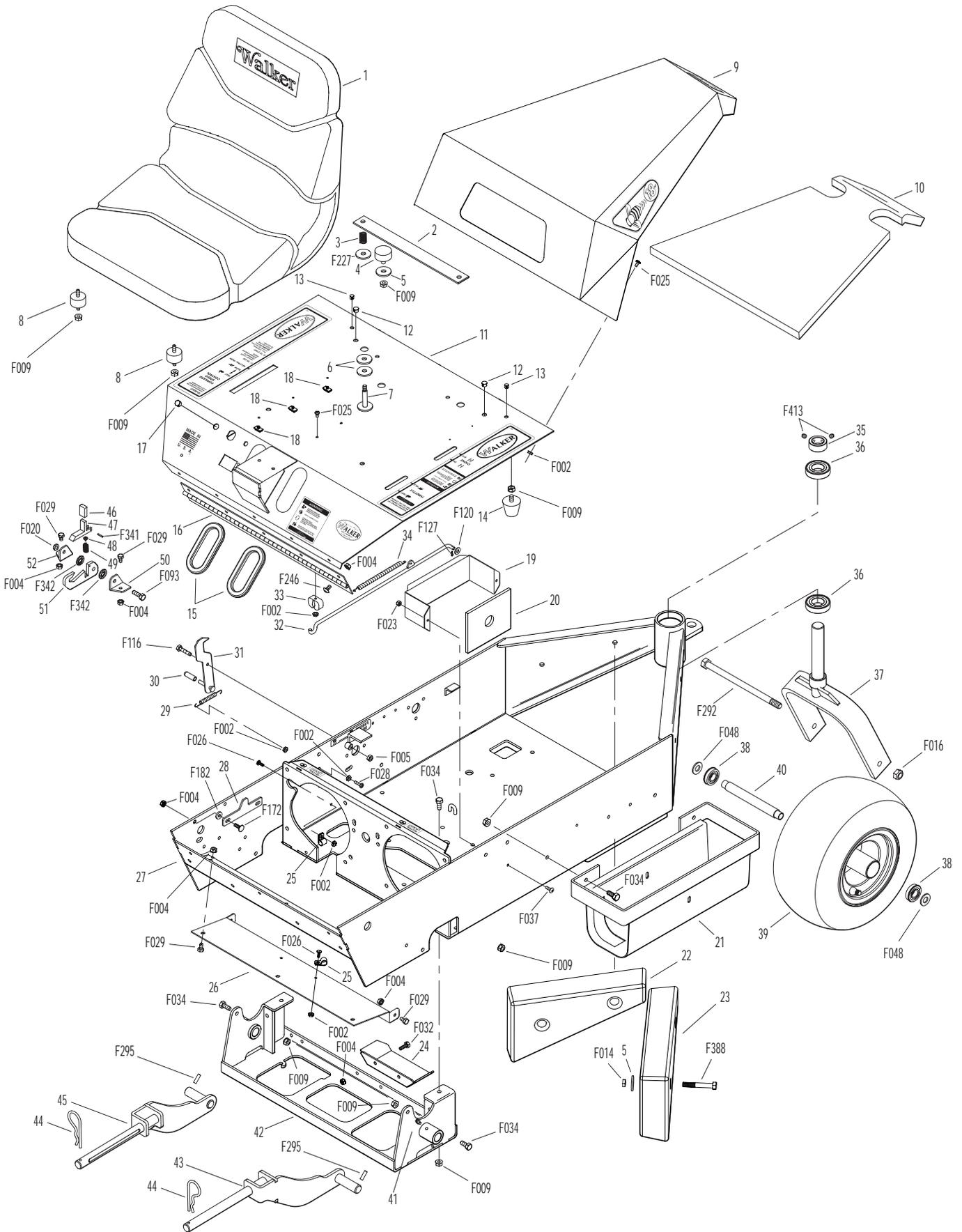
# BODY / CHASSIS ASSEMBLY

ITEM NO.	PART NO.	DESCRIPTION	NO. REQ'D	ITEM NO.	PART NO.	DESCRIPTION	NO. REQ'D
<b>Seat Assembly</b>				<b>Deck Support Arm &amp; Hitch Assemblies</b>			
1	5103	Seat	1	41	5830	Grease Fitting	1
2	7203	Seat Spring Plate	1	42	4300-10	Deck Support Arm Mount (Includes Item # 41)	1
3	7223	Compression Spring (1/2 x 1)	2	43	4431	Deck Support Arm/LH	1
4	7845	Rubber Bumper (1.375 x .63)	2	44	5775-2	Hitch Pin (#6)	2
5	5841	Retainer Washer (3/8 x 1-1/4)	6	45	4430	Deck Support Arm/RH	1
6	7846	Washer (3/8 x 1-1/4 x 1/8)	4	<b>Tilt-Up Latch Assembly**</b>			
7	7204	Shoulder Bolt, Seat Mount	2	46	5847	Plastic Tip	1
8	7440-5	Shock Mount (1-1/4 x 3/4)	2	47	5744-20	Spring Arm, Tilt-Up Latch	1
<b>Body Assembly</b>				48	5744-10	Spring Pivot Bushing	1
9	4105-1	Rear Body (Includes Item # 10)	1	49	5744-15	Compression Spring (3/8 x 5/8)	1
10	4190-1	Insulation Foam Pad	1	50	5744-13	Mount Angle, LH	1
11	4100-1	Front Body	1	51	5744-12	Hook, Tilt-Up Latch	1
12	5989-4	Dome Plug (3/8)	2	52	5744-14	Mount Angle, RH	1
13	5989-3	Dome Plug (5/16)	2	<b>Fasteners</b>			
14	5845	Rubber Bumper (1.50 x 1.25)	2	F002	10-24 Keps Nut		10
15	5180	Edge Molding/Lever Opening	2	F004	1/4-20 Keps Nut		19
16	4504-3	Hinge (19")	1	F005	1/4-20 ESNA Nut		1
17	5989-5	Dome Plug (7/16)	1	F009	5/16-18 Whiz Locknut		12
18	7834-3	Wire Saddle (3 Wires)	3	F014	3/8-16 ESNA Nut		4
<b>Chassis Assembly</b>				F016	1/2-13 Self-Locking Nut		1
19	4910-2	Battery Hold Down Plate	1	F020	5/16-18 ESNA Nut		1
20	4910-3	Battery Spacer Pad	1	F023	10-24 ESNA Nut		2
21	9046	Gas Tank Mount	1	F025	10-24 x 3/8 PPHMS		6
22	4647-4	Tail Weight, RH	1	F026	10-24 x 1/2 PPHMS		2
23	4647-3	Tail Weight, LH	1	F028	10-24 x 3/4 PPHMS		1
24	4300-11	PTO Belt Guard	1	F029	1/4-20 x 1/2 Hex Bolt		7
25	5832	Cable Clamp (1/2)	2	F032	1/4-20 x 3/4 Hex Bolt		2
26	4300-8	Chassis Guard, Lower Front	1	F034	5/16-18 x 3/4 Hex Bolt		6
27	4300-1	Chassis Frame	1	F037	10-24 x 5/8 PTH Screw		2
28	4102	Body Guide	1	F048	1/2 SAE Washer		2
29	7222	Extension Spring (1/4 x 3)	1	F093	5/16-18 x 1 Hex Bolt		1
30	7854	Plastic Tip, Red	1	F116	1/4-20 x 1-1/4 Hex Bolt		1
31	7383-1	Body Latch Hook	1	F120	AN960416 Washer		1
32	4145	Body Support Rod	1	F127	1/16 x 1/2 Cotter Pin		1
33	4145-1	Spring Clip	1	F172	1/4-20 x 3/4 Carriage Bolt		2
34	5223	Extension Spring (1/4 x 5-1/2)	1	F182	1/4 x 5/8 x 1/8 Washer		2
<b>Tail Wheel Assembly</b>				F227	3/8 x 1-1/4 x 1/8 Washer (Plastic)		2
35	5267-1	Retainer Collar (1") (Includes Item # F413)	1	F246	1/4-20 x 1/2 PTHMS		8
36	5270-1	Pivot Bearing	2	F292	1/2-13 x 8-1/2 Hex Bolt, GR 2		1
37	5420-2	Tail Wheel Fork	1	F295	3/16 x 1-1/2 Split Spring Pin		2
38	5037-1	Bearing, Tail Wheel	2	F341	Coil Roll Pin (7/64 x 9/16)		1
39	5035	Tail Wheel & Tire Assembly (13 x 6.50-6)	1	F342	5/16 Conical Washer		2
	5035-1	Tail Wheel Tire (13 x 6.50-6)	*	F388	3/8-16 x 2-1/2 Hex Bolt		4
	5036	Tail Wheel & Hub (6 x 4.5)	*	F413	5/16-24 x 5/16 Set Screw		2
40	5038-1	Axle Spacer Tube (6-5/8)	1	* Service Part Only			
				** Complete Tilt-Up Latch Assembly Kit available by ordering kit # 5747.			

Use only genuine Walker® replacement parts.

Effective Date 09-01-06

# BODY / CHASSIS ASSEMBLY



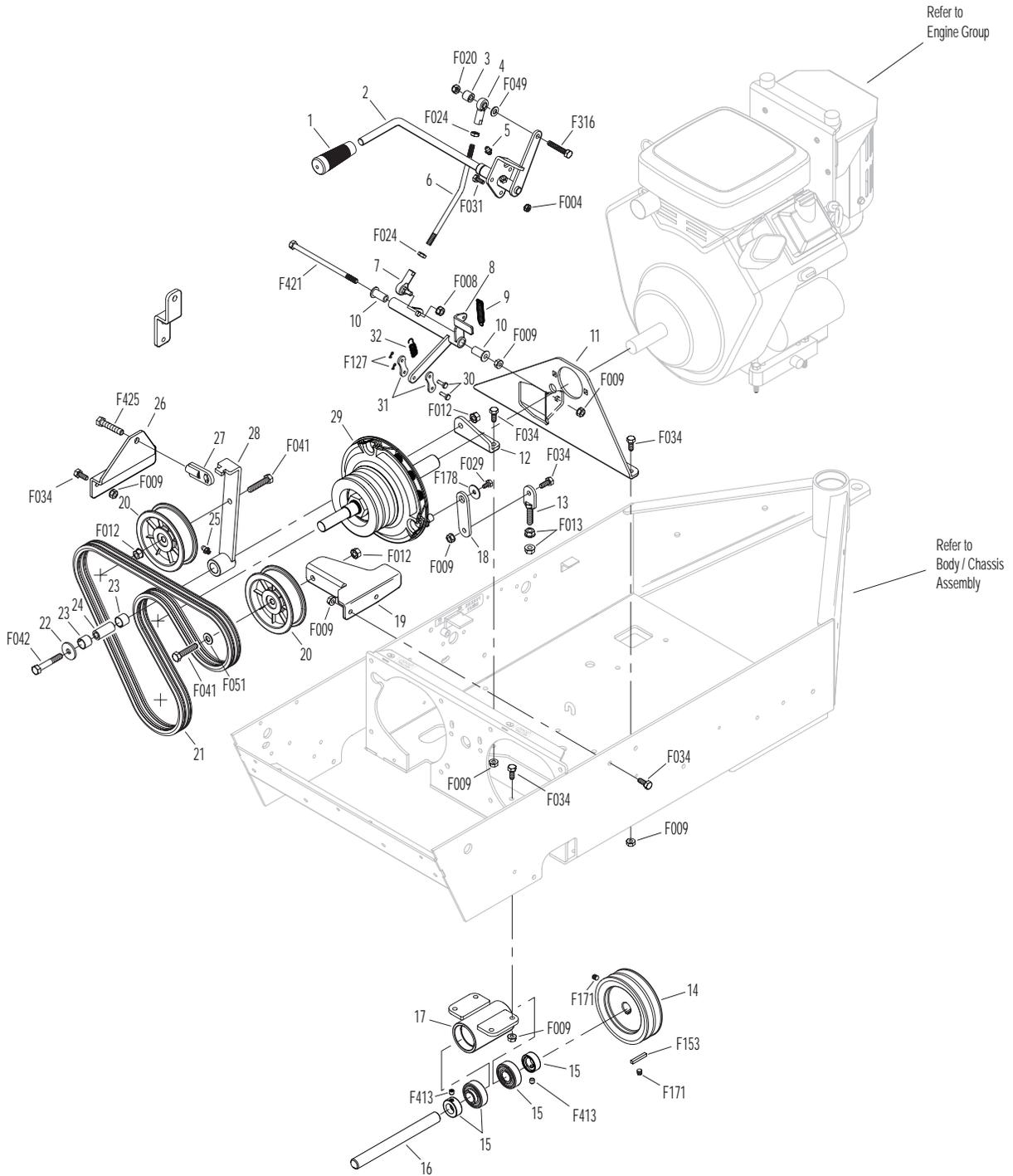
Effective Date 09-01-06

Use only genuine Walker® replacement parts.

# MAIN COMPONENT POWER TRANSMISSION

ITEM NO.	PART NO.	DESCRIPTION	NO. REQ'D	ITEM NO.	PART NO.	DESCRIPTION	NO. REQ'D
<b>PTO Drive Assembly</b>				<b>Fasteners</b>			
1	4850	Handle Grip	1	F004		1/4-20 Keps Nut	3
2	4358	Clutch Lever (Includes Items # 1 & 5)	1	F008		5/16-24 Keps Nut	1
3	9430-1	Spacer Tube (9/16 x 5/8 x 5/16)	1	F009		5/16-18 Whiz Locknut	17
4	5214-4	Ball Joint (5/16-24) W/O Stud	1	F012		3/8-16 Keps Nut	3
5	5830	Grease Fitting	2	F013		3/8-16 Whiz Locknut	2
6	4358-1	Clutch Rod	1	F020		5/16-18 ESNA Nut	1
7	5214-2	Ball Joint (5/16-24) (Nylon Lined)	1	F024		5/16-24 Jam Nut	2
8	4358-3	Clutch Actuator/MB	1	F029		1/4-20 x 1/2 Hex Bolt	1
9	4358-5	Clutch Linkage Spring	1	F031		1/4-20 x 5/8 Hex Bolt	3
10	5103-2	Pivot Bushing (5/16 ID)	2	F034		5/16-18 x 3/4 Hex Bolt	15
11	4349-7	Bearing Mount Plate	1	F041		3/8-16 x 1-3/4 Hex Bolt	2
12	4274-3	PTO Idler Arm Mount Plate	1	F042		3/8-16 x 2-1/4 Hex Bolt	1
13	4325-3	Clutch Stop	1	F049		5/16 SAE Washer	1
14	4236	PTO Drive Pulley (5/AA) (Includes Items # F153 & F171)	1	F051		3/8 SAE Washer	1
15	5268	Bearing W/Collar (3/4)	2	F127		1/16 x 1/2 Cotter Pin	2
16	4274-1	PTO Drive Shaft	1	F153		3/16 x 3/16 x 1-1/4 Key	1
17	4274-2	PTO Bearing Housing	1	F171		5/16-18 x 3/8 Set Screw	2
18	4325-5	Clutch Retainer	1	F178		1/4 x 1 Fender Washer	1
19	4245-3	Stationary Idler Arm	1	F316		5/16-18 x 1-3/4 Hex Bolt	1
20	4245-1	Idler Pulley (4/Flat)	2	F413		5/16-24 x 5/16 Set Screw	2
21	4230	Engine/PTO Belt/Matched Set	1	F421		5/16-18 x 8 Hex Bolt	1
22	5841	Retainer Washer (3/8 x 1-1/4)	1	F425		3/8-16 x 2 Tap Bolt	1
23	7201-3	DU Bearing	2				
24	7201-4	Inner Race (1-1/2)	1				
25	5830-3	Grease Fitting (45 Degree)	1				
26	4325-7	Idler Tension Mount	1				
27	4325-2	Idler Adjuster	1				
28	4325-6	Idler (Includes Item # 25)	1				
29	4410-1	Mechanical Clutch	1				
30	7407	Clevis Pin (3/16 x 1/2)	2				
31	4358-4	Clutch Actuator Link	2				
32	5229	Extension Spring (1/2 x 2-1/4)	1				
				*		Service Part Only	

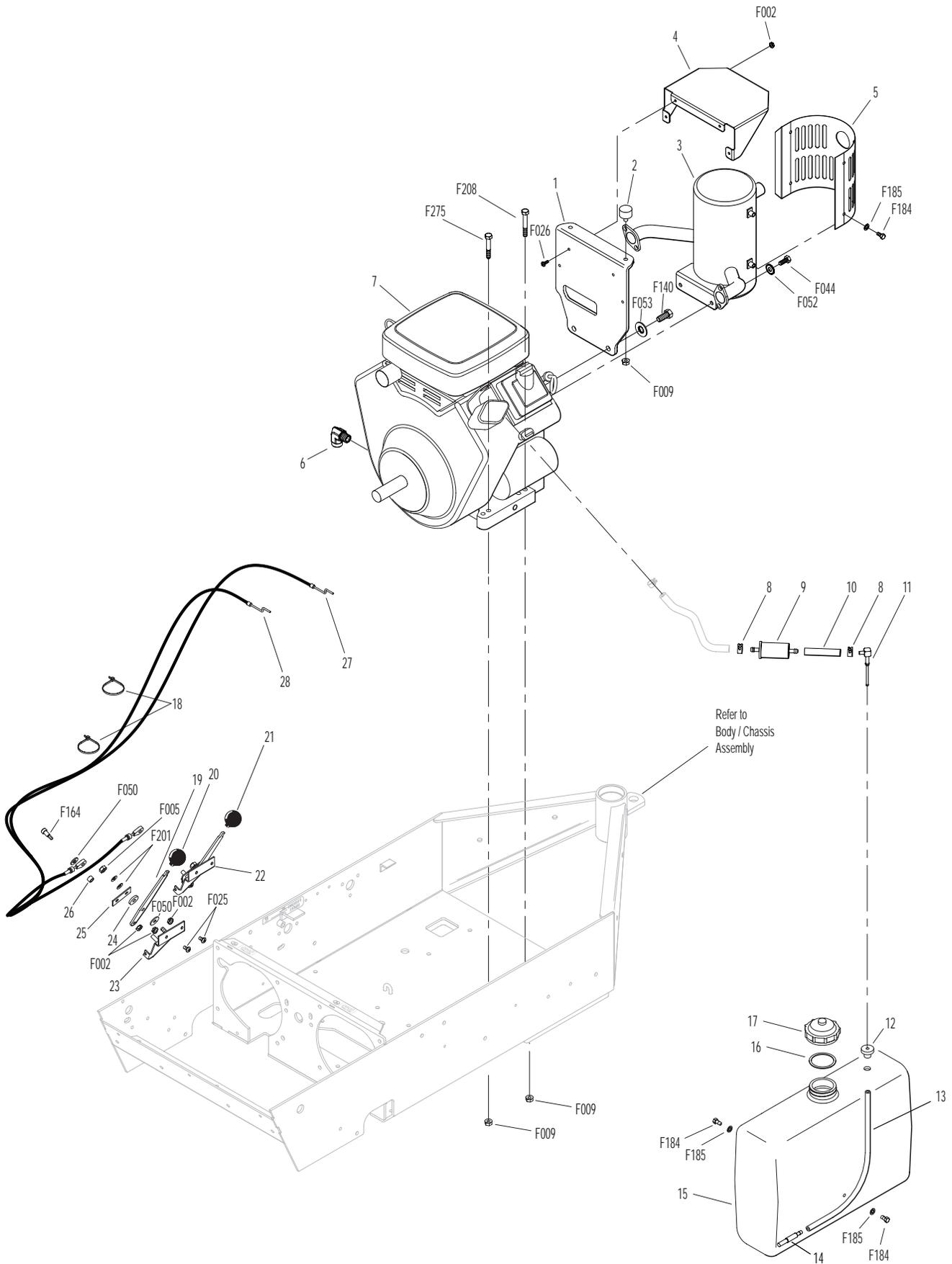
# MAIN COMPONENT POWER TRANSMISSION



# ENGINE GROUP

ITEM NO.	PART NO.	DESCRIPTION	NO. REQ'D	ITEM NO.	PART NO.	DESCRIPTION	NO. REQ'D
<b>Engine Assembly</b>				<b>Fasteners</b>			
1	4104-2	Body Support	1	F002		10-24 Keps Nut	8
2	4845	Rubber Bumper (1.0 x .625)	2	F005		1/4-20 ESNA Nut	2
3	4013	Muffler	1	F009		5/16-18 Whiz Locknut	6
4	4013-5	Heat Shield	1	F025		10-24 x 3/8 PPHMS	4
5	4013-3	Muffler Heat Shield	1	F026		10-24 x 1/2 PPHMS	4
6	4010-5	3/8 NPT Street L	1	F044		5/16-24 x 3/4 Hex Bolt	2
7	NS	18 HP Engine (Briggs & Stratton 350447)	1	F050		1/4 SAE Washer	4
<b>Fuel Tank Assembly</b>				F052		5/16 External Star Lock Washer	2
8	5879-3	Hose Clamp (1/2)	2	F053		7/16 Internal Star Lock Washer	2
9	5020	Fuel Filter	1	F140		7/16-14 x 1 Hex Bolt	2
10	5086-8	Hose (1/4 x 2-1/2)	1	F164		10-24 x 1/4 x 3/8 SHL Bolt	2
11	5083-2	Tank Tube Elbow	1	F184		1/4-20 x 1/2 Hex Bolt, SS	6
12	5083-1	Bushing, Rubber (Fits 5083)	1	F185		1/4 Internal Star Lock Washer	6
13	5086	Hose (1/4 x 18)	1	F201		1/4 Belleville Spring Washer	4
14	5020-2	Fuel Filter, In Tank	1	F208		5/16-18 x 2-1/4 Hex Bolt	2
15	4046	Fuel Tank, 3.0 Gal. Gas (Fuel Cap Centered) (Includes Items # 16 & 17)	1	F275		5/16-18 x 2 Hex Bolt	2
16	5082-2	Fuel Cap Seal	1	* Service Part Only			
17	5082	Fuel Tank Cap (Includes Item # 16)	1				
<b>Choke and Throttle Assemblies</b>							
18	5975-3	Cable Tie (50# x 7")	2				
19	5108-1	Control Lever, Throttle/Choke	2				
20	5108-5	Throttle Control Knob/Red	1				
21	5108-6	Choke Control Knob/Black	1				
22	7108	Control Assembly	2				
	4108-2	Throttle Control and Cable Assembly (Includes Item # 20)	*				
	4109-2	Choke Control and Cable Assembly (Includes Item # 21)	*				
23	5108-8	Control Bracket	2				
24	5108-10	Friction Washer (.125)	2				
25	5108-7	Control Lock Tab	2				
26	5172	Bearing, Nylon (.255 ID x .379 OD x .250)	1				
27	5108-3	Throttle Cable	1				
28	5108-4	Choke Cable	1				

# ENGINE GROUP



Effective Date 09-01-06

Use only genuine Walker® replacement parts.

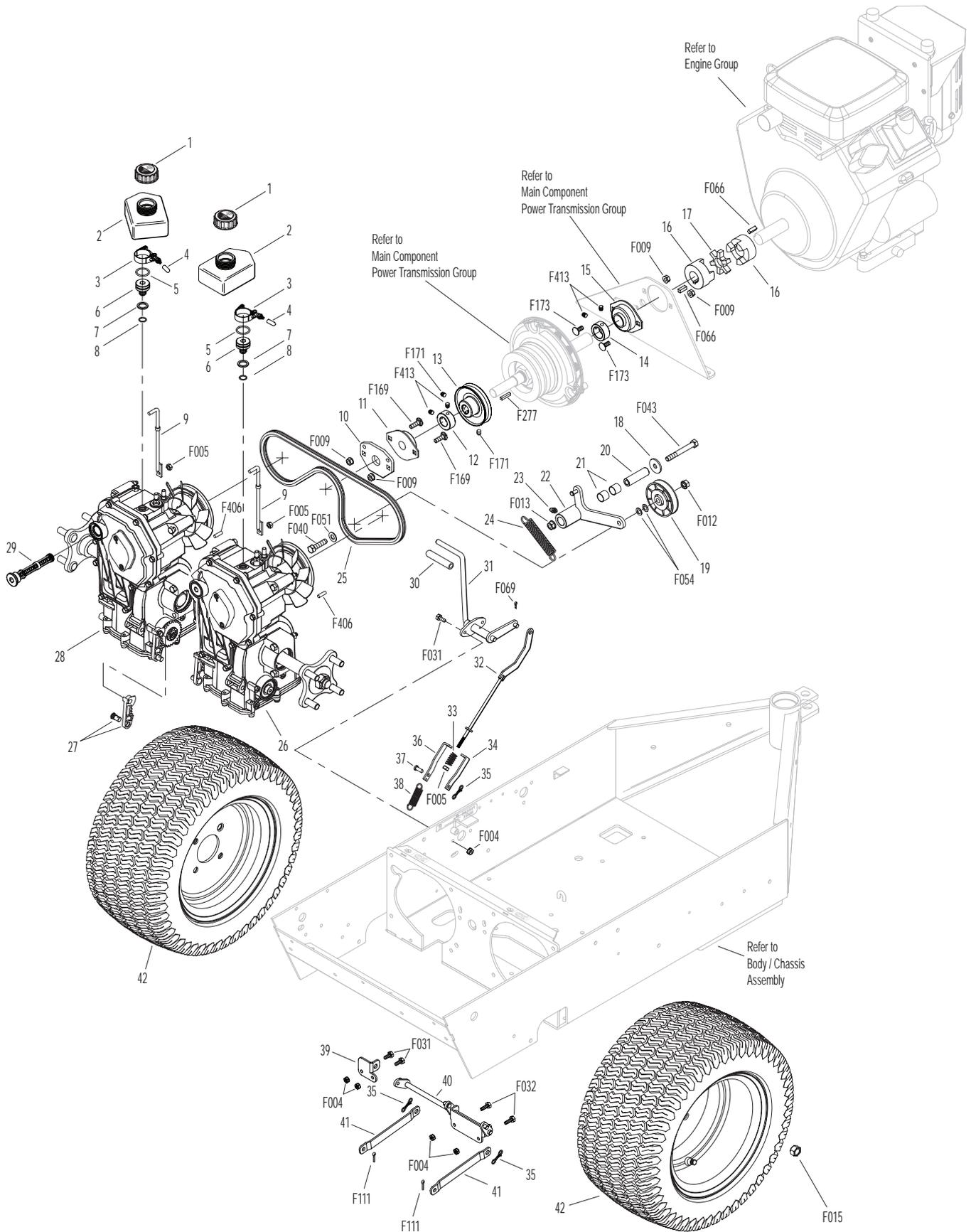
# HYDROSTATIC GROUND DRIVE ASSEMBLIES

ITEM NO.	PART NO.	DESCRIPTION	NO. REQ'D	ITEM NO.	PART NO.	DESCRIPTION	NO. REQ'D
<b>Ground Drive Assemblies</b>				<b>Wheel Assembly</b>			
1	4024-9	Reservoir Cap	*	42	5075	LP Wheel & Tire Assembly (18 x 8.50-10)	2
2	4024-5	Oil Expansion Reservoir (Includes Item # 1)	2		5075-2	LP Tire (18 x 8.50-10)	*
3	4024-8	T-Bolt Latch Clamp	2		5075-4	LP Wheel (10 x 7)	*
4	8404-9	Plastic Cover/Black	2		5033-2	Wheel & Tire Assembly (18 x 6.50-8)	**
5	4024-7	O-Ring (15/16 x 1-1/8)	2		5030-2	Standard Tire (18 x 6.50-8)	*
6	4024-6	Oil Reservoir Retainer	2		5031-2	Standard Wheel (8 x 5.5)	*
7	4024-10	Oil Reservoir Washer	2		5030-4	Tire Tube (18 x 8.50-8)	*
8	4024-11	O-Ring (1/2 x 5/8)	2	<b>Fasteners</b>			
9	4028-3	Hydro Lockout Rod	2		F004	1/4-20 Keps Nut	6
10	4300-4	Spring Mount Plate	1		F005	1/4-20 ESNA Nut	3
11	4349-4	Flanged Bearing 3/4" (Includes Item # 12)	1		F009	5/16-18 Whiz Locknut	4
12	5267	Retainer Collar (3/4)	1		F012	3/8-16 Keps Nut	1
13	4240	Drive Pulley (4-1/2A) (Includes Items # F067 & F171)	1		F013	3/8-16 Whiz Locknut	1
14	5267-1	Retainer Collar (1")	1		F015	1/2-20 Wheel Lug Nut	8
15	4349-6	Flanged Bearing 1" (Includes Item # 14)	1		F031	1/4-20 x 5/8 Hex Bolt	4
16	4350-5	Flex Coupling Half (1" Bore)	2		F032	1/4-20 x 3/4 Hex Bolt	2
17	4350-3	Spider, Flexible Coupling	1		F040	3/8-16 x 1-1/2 Hex Bolt	1
18	5841	Retainer Washer (3/8 x 1-1/4)	1		F043	3/8-16 x 3 Hex Bolt	1
19	4245	Idler Pulley (3/A)	1		F051	3/8 SAE Washer	1
20	7201-5	Inner Race (2-1/4)	1		F054	AN960616 Washer	2
21	7201-3	DU Bearing	2		F066	1/4 x 1/4 x 3/4 Key	2
22	4349-5	Hydro Idler Arm (Includes Item # 23)	1		F069	3/32 x 1/2 Cotter Pin	1
23	5830-3	Grease Fitting (45 Degree)	1		F111	1/8 x 3/4 Cotter Pin	2
24	5221	Extension Spring (3/4 x 4)	1		F169	5/16-18 x 1 Carriage Bolt	2
25	4248	Ground Drive Belt	1		F171	5/16-18 x 3/8 Set Screw	2
26	NS	Hydro-Gear W/Charge Pump/LH (Includes Item # 9)	1		F173	5/16-18 x 3/4 Carriage Bolt	2
27	4025-9	Parking Brake Arm Kit	*		F277	3/16 x 5/8 Woodruff Key	1
28	NS	Hydro-Gear W/Charge Pump/RH (Includes Item # 9)	1		F406	6mm x 20mm Dowel Pin	2
29	4025-5	Hydro Oil Filter	*		F412	1/4-20 x 3/4 Set Screw	4
					F413	5/16-24 x 5/16 Set Screw	4
<b>Parking Brake Assembly</b>				* Service Part Only			
30	7406-1	Handle Grip/Red	1	** May be ordered as a factory-installed option or for dealer installation. Narrow Drive Tires are used when installing a 36" Deck. Contact your Walker Dealer.			
31	4406-4	Parking Brake Arm Assembly	1				
32	4406-11	Brake Actuator Pull	1				
33	5665	Compression Spring (1/2 x 1)	1				
34	9406-4	Clevis Half	1				
35	4407-4	Bow Tie Cotter Pin	3				
36	9406-3	Clevis Half, Spring Side	1				
37	7523-2	Clevis Pin with Hole (1/4 x 5/8)	1				
38	5225-3	Return Spring (1/2 x 1.63)	1				
39	4406-10	Parking Brake End Mount	1				
40	4406-6	Parking Brake Mount Assembly	1				
41	4407-2	Park Brake Actuator Link	2				

Use only genuine **Walker**<sup>®</sup> replacement parts.

Effective Date 09-01-06

# HYDROSTATIC GROUND DRIVE ASSEMBLIES



Effective Date 09-01-06

Use only genuine Walker® replacement parts.

# STEERING CONTROL ASSEMBLIES

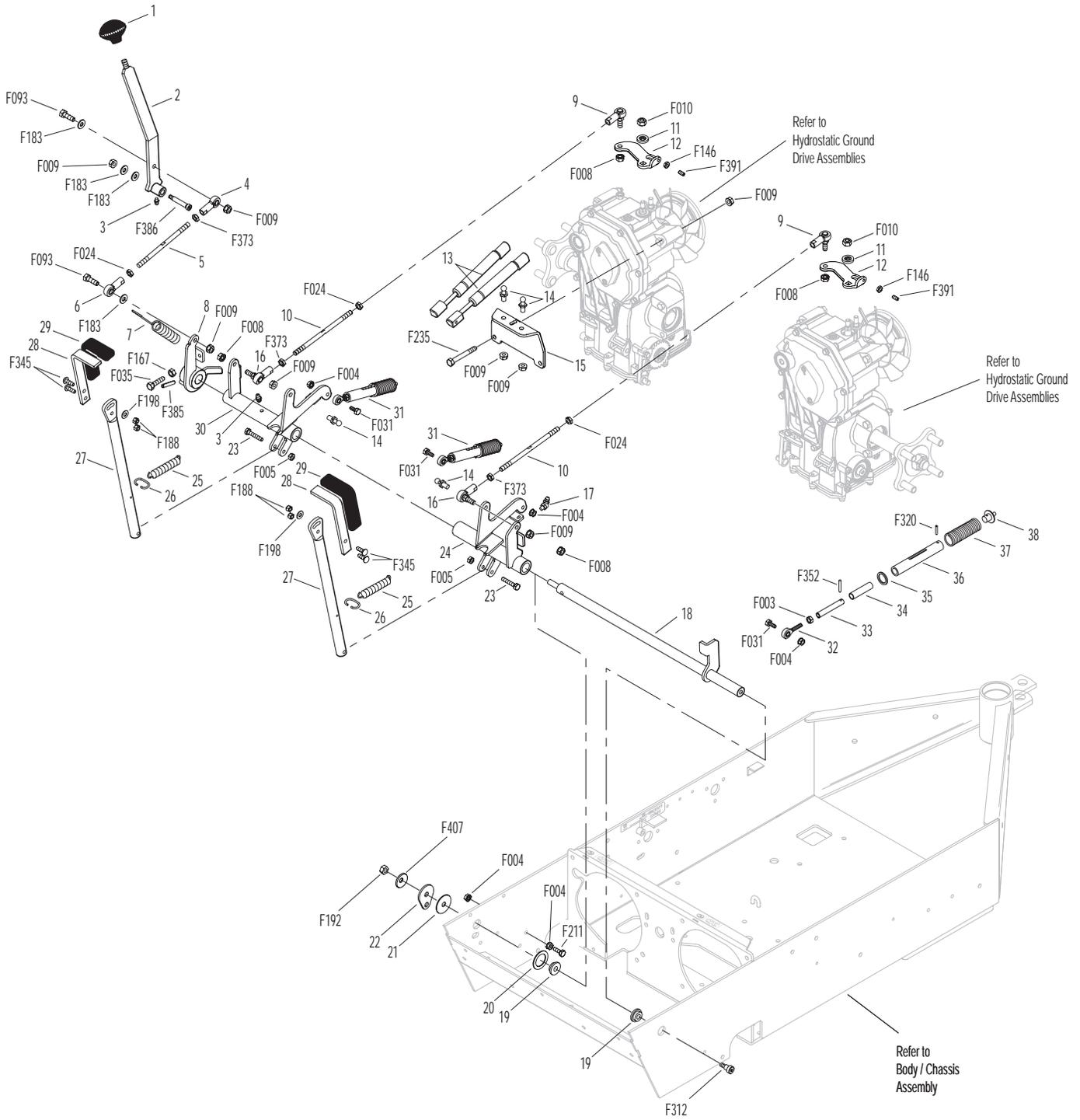
ITEM NO.	PART NO.	DESCRIPTION	NO. REQ'D	ITEM NO.	PART NO.	DESCRIPTION	NO. REQ'D
<b>Steering Lever &amp; FSC Assemblies</b>				<b>Fasteners</b>			
1	5862	FSC Knob	1	F003	1/4-28 Hex Nut		2
2	4170	FSC Lever Assembly (Includes Item # 3)	*	F004	1/4-20 Keps Nut		4
3	5830	Grease Fitting	2	F005	1/4-20 ESNA Nut		2
4	5214-5	Ball Joint (5/16-24/LH) W/O Stud	1	F008	5/16-24 Keps Nut		5
5	4173	FSC Rod	1	F009	5/16-18 Whiz Locknut		19
6	5214-4	Ball Joint (5/16-24) W/O Stud	1	F010	5/16-24 ESNA Nut		2
7	4219	Extension Spring (3/4 x 6-1/2)	1	F024	5/16-24 Jam Nut		3
8	4451-4	FSC Friction Actuator	1	F031	1/4-20 x 5/8 Hex Bolt		2
9	5214-2	Ball Joint (5/16-24) (Nylon Lined)	2	F035	5/16-18 x 1-1/4 Hex Bolt		1
10	4213	Hydro-Gear Control Rod	2	F093	5/16-18 x 1 Hex Bolt		2
11	9024	Washer (1/8 x 7/8)	2	F146	1/4-20 Jam Nut		2
12	4212	Transmission Control Arm	2	F167	5/16-18 Hex Nut		1
13	4215-2	Steering Lever Dampener	2	F183	.312 x .700 x .074 Washer		4
14	5146	10mm Ball Stud	4	F188	1/4-20 Self-Locking Nut		4
15	4215	Steering Dampener Mount	1	F192	3/8-24 Self-Locking Nut		1
16	5214-3	Ball Joint (5/16-24 LH) (Nylon Lined)	2	F198	.250 x .625 x .040 Washer, SS		2
17	5830-3	Grease Fitting (45 Degree)	1	F211	1/4-20 x 7/8 Hex Bolt		1
18	4451-1	Steering Pivot Shaft W/Stop	1	F235	5/16-18 x 2-1/2 Hex Bolt		12
19	9704-3	Pivot Rod Bushing/Plastic	2	F312	3/8 x 3/8 Shoulder Bolt		1
20	4142-2	FSC Friction Washer (1-1/2 x 1-1/32 x 1/16)	1	F320	1/8 x 3/4 Split Spring Pin		2
21	5141	FSC Friction Washer (1-1/2 x 3/8 x 1/16)	1	F345	1/4-20 x .770 Knurled Bolt		4
22	4142-1	FSC Cam	1	F352	5/32 x 1 Heavy Duty Roll Pin		2
23	4452-6	Steering Pivot (1/4-20 x 1-1/2)	2	F373	5/16-24LH Hex Nut		3
24	4451-3	Speed Control Actuator/LH (Includes Item # 17)	1	F385	1/4 x 1-1/4 Roll Pin		1
25	5222	Extension Spring (1/2 x 3-1/4)	2	F386	5/16-18 x 1-1/2 x 3/8 Shoulder Bolt		1
26	5450	D-Clip	2	F391	1/4-20 x 1/2 Set Screw, SS		2
27	4452-4	Steering Lever Tube W/Tab	2	F407	Belleville Washer 3/8 x 1.187 SS		1
28	5453-10	Steering Lever Handle/Adjustable (Includes Items # 29 & F345)	2				
29	5850-2	Handle Grip, Foam (5-1/2)	2				
30	4451-2	Speed Control Actuator/RH (Includes Item # 3)	1				
<b>Transmission Spring Assemblies</b>							
31	4199	Transmission Spring Assembly (Includes Items # 32-38, F004, F031, F320 & F352)	*				
32	4552	Ball Joint (1/4-28)	2				
33	5192-2	Spring Plunger (Female)	2				
34	5194	Plunger Sleeve	2				
35	5193	Washer (3/4 x 1 x .085)	2				
36	6191	Spring Slide (4-3/4)	2				
37	5195	Compress Spring (1 x 5-1/8)	2				
38	6196	Spring Slide Cap	2				

\* Service Part Only

Use only genuine **Walker**<sup>®</sup> replacement parts.

Effective Date 09-01-06

# STEERING CONTROL ASSEMBLIES



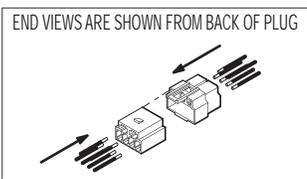
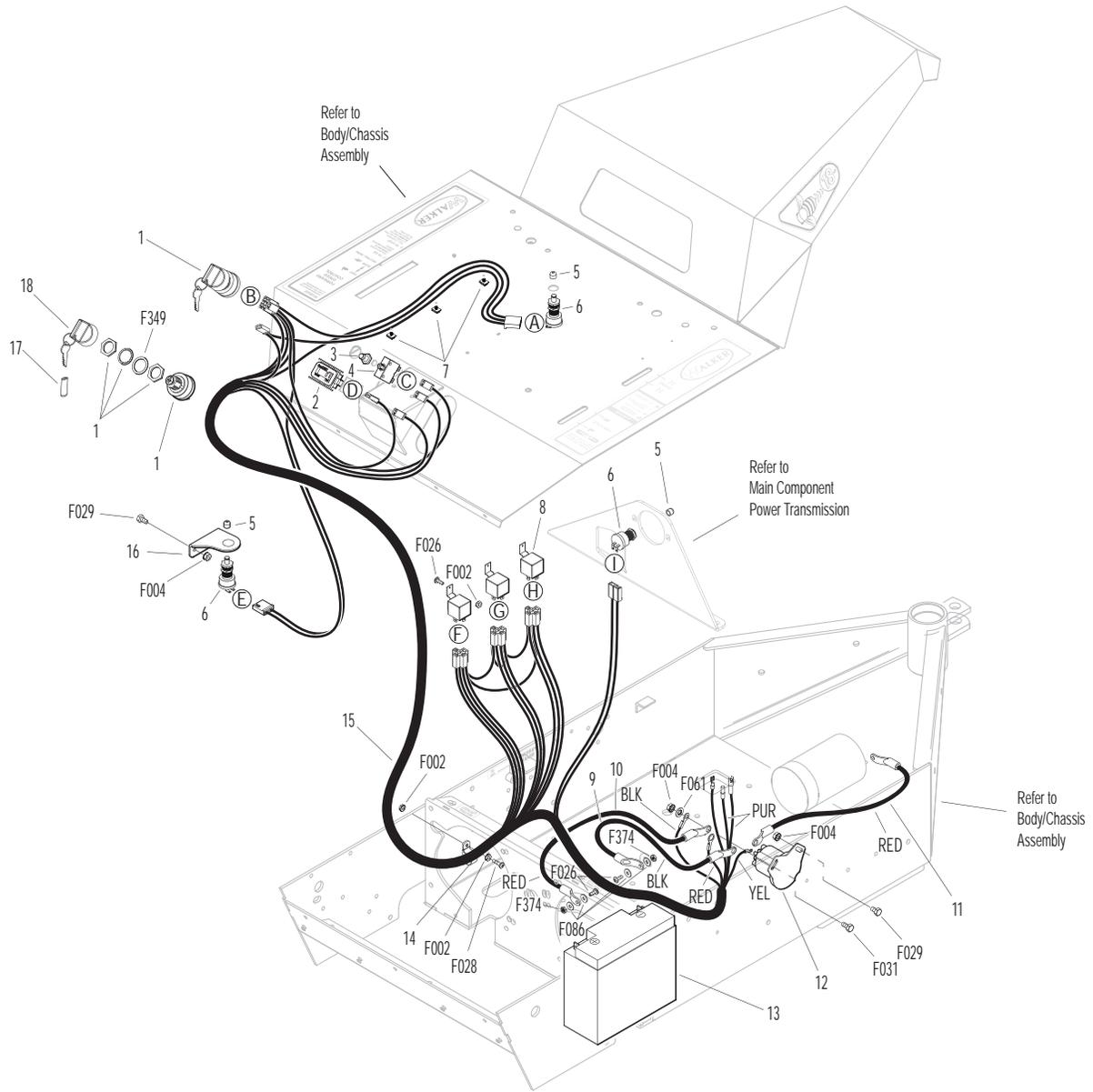
Effective Date 09-01-06

Use only genuine Walker® replacement parts.

# ELECTRICAL ASSEMBLY

ITEM NO.	PART NO.	DESCRIPTION	NO. REQ'D	ITEM NO.	PART NO.	DESCRIPTION	NO. REQ'D
<b>Electrical Assembly</b>				<b>Fasteners</b>			
1	8960-15	Ignition Switch W/Keys (Includes Items # 17, 18 & F349)	1	F002		10-24 Keps Nut	4
2	8990-1	Hourmeter (Sendec)	1	F004		1/4-20 Keps Nut	2
3	7941-3	Boot, Circuit Breaker	1	F026		10-24 x 1/2 PPHMS	2
4	7941-6	Circuit Breaker (15AMP)	1	F028		10-24 x 3/4 PPHMS	1
5	5942-1	Switch Boot (Fits P/N 5942)	3	F029		1/4-20 x 1/2 Hex Bolt	1
6	5942	Safety Switch (NO)	3	F031		1/4-20 x 5/8 Hex Bolt	1
7	7834-3	Wire Saddle (3 Wires)	3	F061		1/4 Star Lock Washer	1
8	6941	Relay Switch 30/40AMP (NC)	3	F086		#10 SAE Washer	4
9	6923	Battery Cable (-)	1	F349		Washer .835 ID 1.122 OD, SS	1
10	4940-4	Battery Cable 12" (+)	1	F374		10-24 Hex Nut	2
11	4940-3	Starter Solenoid Cable (4-1/2")	1				
12	4929	Starter Solenoid	1				
13	4910	Battery (CCA/220)	1				
14	5835	Cable Clamp (3/4)	1				
15	4940	Wire Harness	1				
16	4024-12	Switch Mount	1				
17	7854	Plastic Tip, Red	1				
18	8960-3	Key Set W/Umbrella	1				

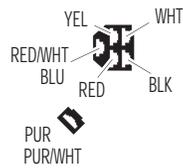
# ELECTRICAL ASSEMBLY



DETAIL A



DETAIL B



DETAIL C



DETAIL D



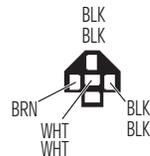
DETAIL E



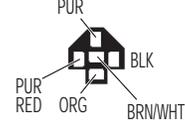
DETAIL F



DETAIL G



DETAIL H



DETAIL I



Effective Date 09-01-06

Use only genuine Walker® replacement parts.

## LIGHT KIT / SPREAD TAIL WHEEL AXLE KIT

ITEM NO.	PART NO.	DESCRIPTION	NO. REQ'D	ITEM NO.	PART NO.	DESCRIPTION	NO. REQ'D
<b>Kit 5989-11 Light Kit</b>				<b>Fasteners</b>			
Includes Items # 1-14, fasteners listed & instructions. May be ordered as a dealer-installed option. Contact your Walker Dealer.							
1	7989-2	Light Assembly (Halogen)	2	F009		5/16-18 Whiz Locknut	2
2	7989-3	Wire Harness Ext./Halogen (Includes Item # 3)	2	F013		3/8-16 Whiz Locknut	2
3	5996-4	16-14 GA Bullet Cntr. (M)	2	F016		1/2-13 Self-Locking Nut	2
4	5996-5	16-14 GA Bullet Cntr. (F)	2	F046		3/8-16 x 3-1/2 Hex Bolt	2
5	7834-2	Wire Saddle (2 Wires)	9	F052		5/16 External Star Lock Washer	2
6	5977-1	Grommet (1/8 x 3/8)	2	F091		5/16-18 x 5/8 Hex Bolt	2
7	7995-4	Power Lead Wire Assembly (Includes Items # 6, 8 & 9)	1	F140		7/16-14 x 1 Hex Bolt	4
8	5996	1/4 x 16-14 GA QDF Terminal (Fully Insulated)	1	F205		5/16-18 x 1/4 Set Screw	2
9	5975-1	Cable Tie (18# x 3-3/4")	1	F218		7/16 Split Lock Washer	4
10	6940-10	Jumper Wire	1	F344		3/4-16 Slotted Hex Nut	2
11	5995-5	Piggyback Terminal	1	F347		3/4 SAE Washer	2
12	5995	Toggle Switch (Off-On)	1	F348		1/8 x 1-1/2 Cotter Pin	2
13	5995-2	Switch Boot	1	F377		1/2-13 x 5 Hex Bolt	1
14	7993-1	Light Mount Bracket	1	F423		1/2-13 x 6-1/2 Hex Bolt	1
<b>Kit 4420-3 Spread Axle Kit</b>				* Service Part Only			
Includes Items # 15-33, fasteners listed & instructions. May be ordered as a dealer-installed option. Contact your Walker Dealer.							
15	7420-6	Washer (2-1/2)	1				
16	5841	Retainer Washer (3/8 x 1-1/4)	2				
17	4420-11	Mount, Spread Axle	1				
18	8769-8	Dust Cap, Deck Caster	2				
19	8769-6	Bearing Cone (1" ID)	4				
20	8769-5	Bearing Cup	4				
21	7420-4	Fork Mount Tube (Includes Item # 20)	1				
22	8769-7	Seal	2				
23	7420-2	Tail Fork, Spread Axle	2				
24	8039	Nut, Tail Wheel Axle	2				
25	8038-1	Spacer, Tail Wheel Axle	2				
26	8768-2	Seal, Reverse Lip	2				
27	8037	Bearing Cone (3/4 ID)	4				
28	8035	Tail Wheel & Tire Assembly (13 x 5.00-6) (With Bearing Race)	2				
	7035-1	Tail Wheel Tire (13 x 5.00-6)	*				
	8036	Wheel & Hub (6 x 3.25)	*				
	8037-2	Bearing Race	*				
29	8037-1	Seal, Outer (1-3/4 x 1-1/8)	2				
30	7038	Tail Wheel Axle (3/4 x 5-9/16)	2				
31	7420-9	Pivot Shaft	1				
32	5683	Pivot Bearing	2				
33	5830	Grease Fitting	3				

Use only genuine **Walker**<sup>®</sup> replacement parts.

Effective Date 09-01-06

