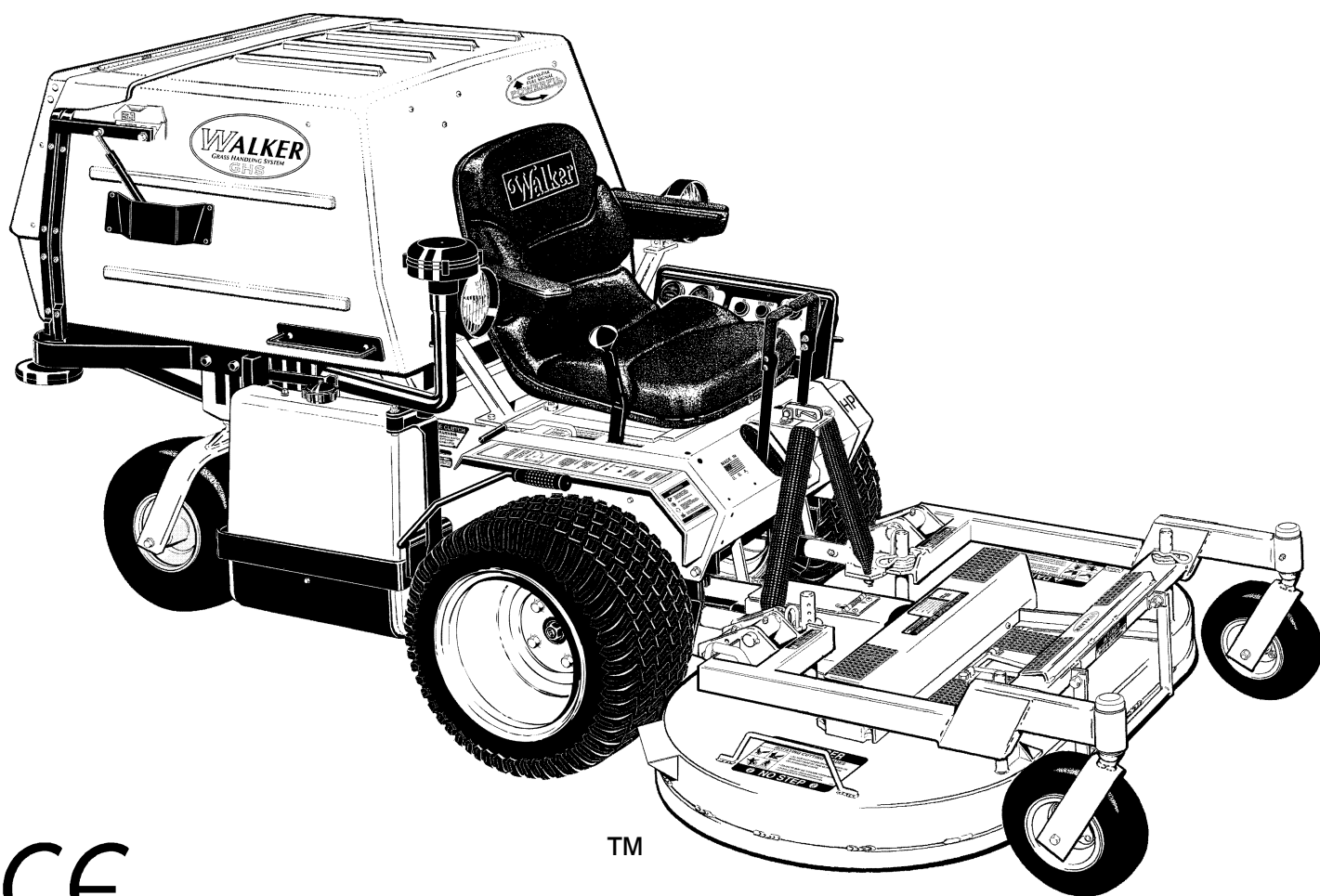


# Walker Rider Lawnmowers

## ILLUSTRATED PARTS MANUAL

Model MT (20.0 HP)  
Model MTL (25.0 HP)  
Model MTEFI (26.0 HP)



CE

TM

Effective Date:  
01-31-03

P/N 8000-7  
Price \$5.00

# KEY TO ABBREVIATIONS USED IN THIS MANUAL

<i>Abbreviation</i>	<i>What it Represents</i>
° (Dimension)	Degrees (Angle)
" (Dimension)	inches
(-)	Negative (Polarity)
(+)	Positive (Polarity)
AT	All-Terrain
CCW	Counter-clockwise
Conn.	Connector
CW	Clockwise
D	Diameter
DGHS	Deck, Grass Handling System (number refers to size in inches)
DML	Deck, Mulching (number refers to size in inches)
DSD	Deck, Side Discharge (number refers to size in inches)
DU	Garlock (Bearing)
ESNA (Fastener)	Nylon Insert Locknut
FSC	Forward Speed Control
GA	Gauge
gal.	gallon
GHS	Grass Handling System
GR (Fastener)	Grade
HP	Horse Power
HT	Heat-Treated
ID	Identification or Inside Diameter
L	Length
LH	Left Hand (orientated with operator on seat)
LP	Low Profile
mm (Dimension)	millimeters
MS (Fastener)	Machine Screw
NS (as part number)	Item is not sold by Walker Manufacturing
OD	Outside Diameter
oz.	ounce
PFH (Fastener)	Phillips Flat Head
P/N	Part Number
PPH (Fastener)	Phillips Pan Head
PTH (Fastener)	Phillips Truss Head
PTO	Power Take-Off
QKS	Quick Slide
qt.	quart
RH	Right Hand (orientated with operator on seat)
SAE (Fastener)	Society of Automotive Engineers
SBH (Fastener)	Socket Button Head (Bolt)
SD	Side Discharge
SFH (Fastener)	Slotted Flat Head
SHC (Fastener)	Socket Head Cap
SHL (Fastener)	Shoulder (Bolt)
SM (Fastener)	Sheet Metal (Screw)
S/N	Serial Number
Spg.	Spring
SQH (Fastener)	Square Head
SS (Fastener)	Stainless Steel
ST (Fastener)	Self-Tapping (Screw)
Term.	Terminal
V	Volts

**NOTE:** In some instances, combinations of abbreviations may be used (e.g. PPHMS - Phillips Pan Head Machine Screw).

Use only genuine **Walker**<sup>®</sup> replacement parts.

Effective Date 01-31-03

# ILLUSTRATED PARTS LIST

<i>Section of Mower Covered</i>	<i>Page</i>	<i>Section of Mower Covered</i>	<i>Page</i>
<b>Decals</b>		<b>Electrical Components</b>	
Tractor Decals .....	2	Electrical Assembly	
<b>Body / Chassis Assemblies</b>		(MT) .....	52
Body / Chassis Assembly		(MTL) .....	54
(GHS Models) MT .....	4	(MTEFI) .....	56
(GHS Models) MTL .....	6	Electrical Assemblies	
(GHS Models) MTEFI .....	8	(GHS 7.0 / 9.5 Bushel Components) .....	58
Rear Body Assembly		Electrical Connectors .....	60
(GHS Models) .....	10	<b>Options and Kits</b>	
(GHS Models) MTL .....	12	Power Deck Lift Kit .....	62
Body Assembly		Armrest Kit / Touch-up Paint .....	64
(SD Models) .....	14	Comfort Seat / Armrest Kit .....	66
(SD Models) MTL .....	16	Suspension Seat Kit .....	68
<b>Tractor Components</b>		Light Kit .....	70
Main Component Power Transmission		Case-Hardened Blower Kit .....	72
(GHS Models) .....	18	Cold Start Kit / Speed Up Kit .....	74
(SD Models) .....	20	Power Dump Kit (7.0 Bushel GHS Models Only) ..	76
Engine Group		Power Dump Kit (9.5 Bushel GHS Models Only) ..	78
(MT) .....	22	No Catch Deflector Kit (7.0 Bushel & 9.5 Bushel) .	80
(MTL) .....	24	Tail Weight Kit .....	82
(MTEFI) .....	26	Tail Wheel Lock Kit .....	84
Radiator Group .....	28	Wide Tail Wheel / All-Terrain Tire Kit &	
Hydrostatic Ground Drive Assemblies .....	30	Tire Chain Set .....	86
Steering Control Assemblies .....	32	<b>Maintenance</b>	
Throttle & Choke Control Assembly .....	34	Lubrication Points .....	88
Parking Brake Assembly .....	36	Wiring Schematic	
GHS Group .....	38	(MT) .....	90
GHS Powerfil® Assembly .....	40	(MTL) .....	91
GHS 7.0 Bushel Catcher &		(MTEFI) .....	92
Exhaust Deflector Assemblies .....	42	<b>Operator's Notes .....</b>	<b>94</b>
GHS 9.5 Bushel Catcher Assembly .....	44	<b>Warranty</b>	
Instrument Panel Assembly		Limited Warranty .....	97
(MT) .....	46		
(MTL) .....	48		
(MTEFI) .....	50		

# TRACTOR DECALS

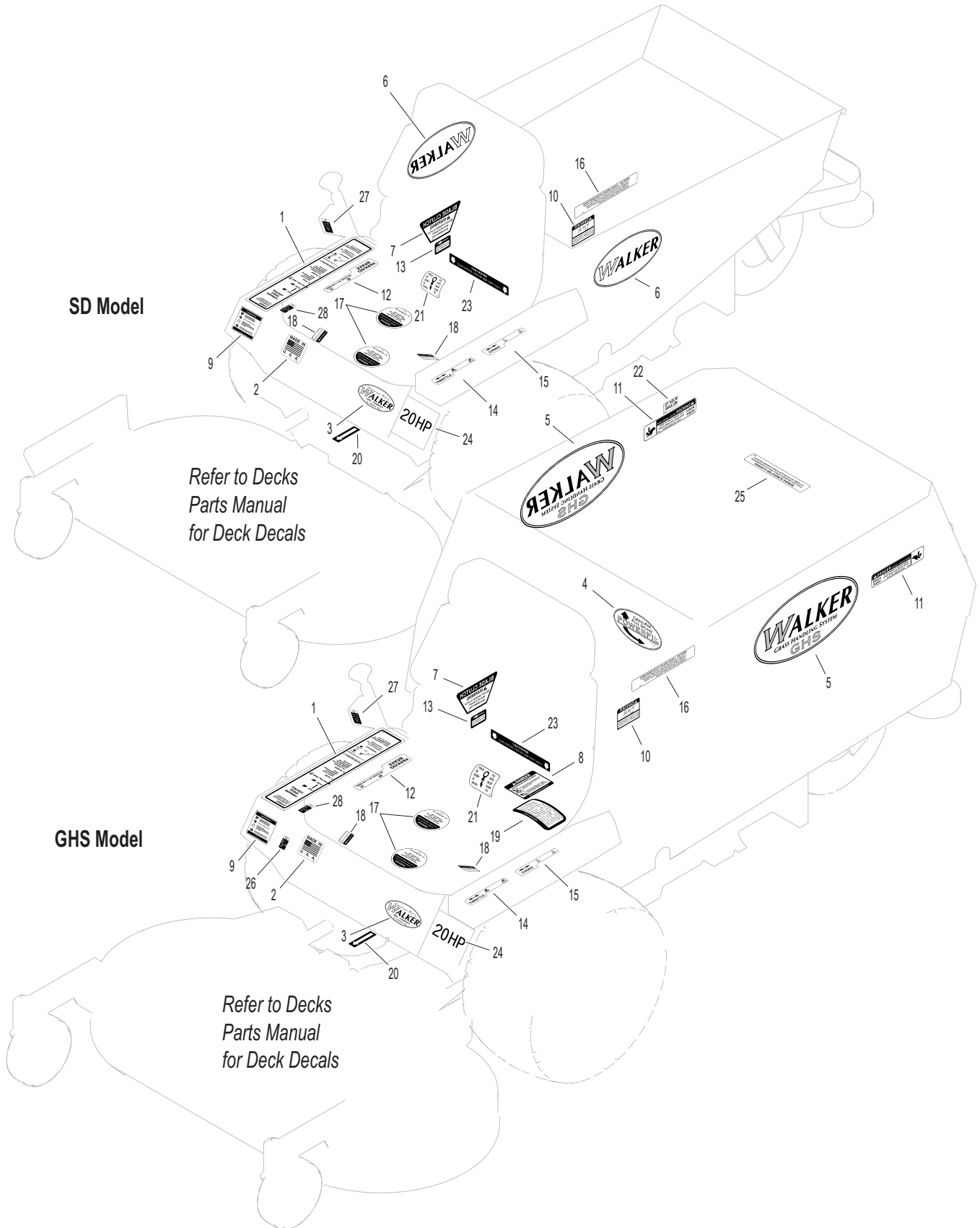
ITEM NO.	PART NO.	DESCRIPTION	LOCATION	NO. REQ'D. GHS	NO. REQ'D SD
<b>Walker Product and Operation Decals</b>					
1	7802	RH Fender	Body, RH Side Near Seat	1	1
2	5856	Made in USA	Body	1	1
3	5803	Walker Manufacturing Logo	Body	1	1
4	5813-1	Powerfil®	7.0 / 9.5 Bushel Catcher, Front	1	0
5	5801	GHS	7.0 / 9.5 Bushel Catcher (one on each side)	2	0
6	5800	Walker Mower (4 x 7-1/2)	Utility Bed (one on each side)	0	2
7	5806	Blade Clutch	Body, RH Side	1	1
<b>Danger Decals Warning Decals Caution Decals</b>					
8	5804	Danger, Rotating Blower Blades	Body Near Body Chute	1	0
9	7818	Warning, Read Manual	Body	1	1
10	6810	Danger, Engine Exhaust	Engine	1	1
11	5868	Danger, Pinch Point	7.0 / 9.5 Bushel Catcher Mounting Frame Assembly (one on each side)	2	0
<b>Maintenance Decals</b>					
12	7809	Parking Brake	Body, RH Side below Seat	1	1
13	7820	Body Release Decal	Body, RH Side	1	1
14	7819	Throttle	Body, LH Side	1	1
15	8819	Choke	Body, LH Side	1	1
16	5855	Important, Engine Cooling	Engine	1	1
17	5810-2	Reservoir	Hydrostatic Drives (one on each)	2	2
18	5810-1	Axle Oil Level	Gear Axle Drive Assemblies (one on each)	2	2
19	5819	Blower Maintenance	Blower Housing	1	0
20	6875	PTO Alignment Arrow	Universal Joint Tube Assembly	1	1
21	7827	Oil Level	Jackshaft Support	1	1
22	5874	Push to Release	7.0 / 9.5 Bushel Catcher Safety Latch	1	0
23	8825	Front Body Closure	Rear Cross Member, Body	1	1
24	8821	20 HP	Body	1*	1*
	8822	25 HP	Body	1*	1*
	8822-10	26 HP	Body	1*	1*
25	5869	Removable Screen	7.0 / 9.5 Bushel Catcher Removable Screen	1	0
<b>Option Decals (applied only to units with corresponding Options installed)</b>					
26	7633	Power Dump Switch	Body	1	0
27	8555	Tail Lock Switch	FSC Lever Assembly - Switch Mount Bracket	1	1
28	8654	Power Deck Lift Switch	Body, RH Side	1	1
	8500-8	No Catch Deflector	7.0 / 9.5 Bushel No Catch Deflector, LH Side (Refer to 7.0 / 9.5 Bushel No Catch Deflector Kit Listing)	1	0

\* 20 HP Decal is Standard. 25 HP Decal furnished only with 25 HP Engine Upgrade Option.  
26 HP Decal furnished only with Optional 26 HP EFI Engine.

**NOTE:** All parts requiring decals are shipped with decals applied.



# TRACTOR DECALS



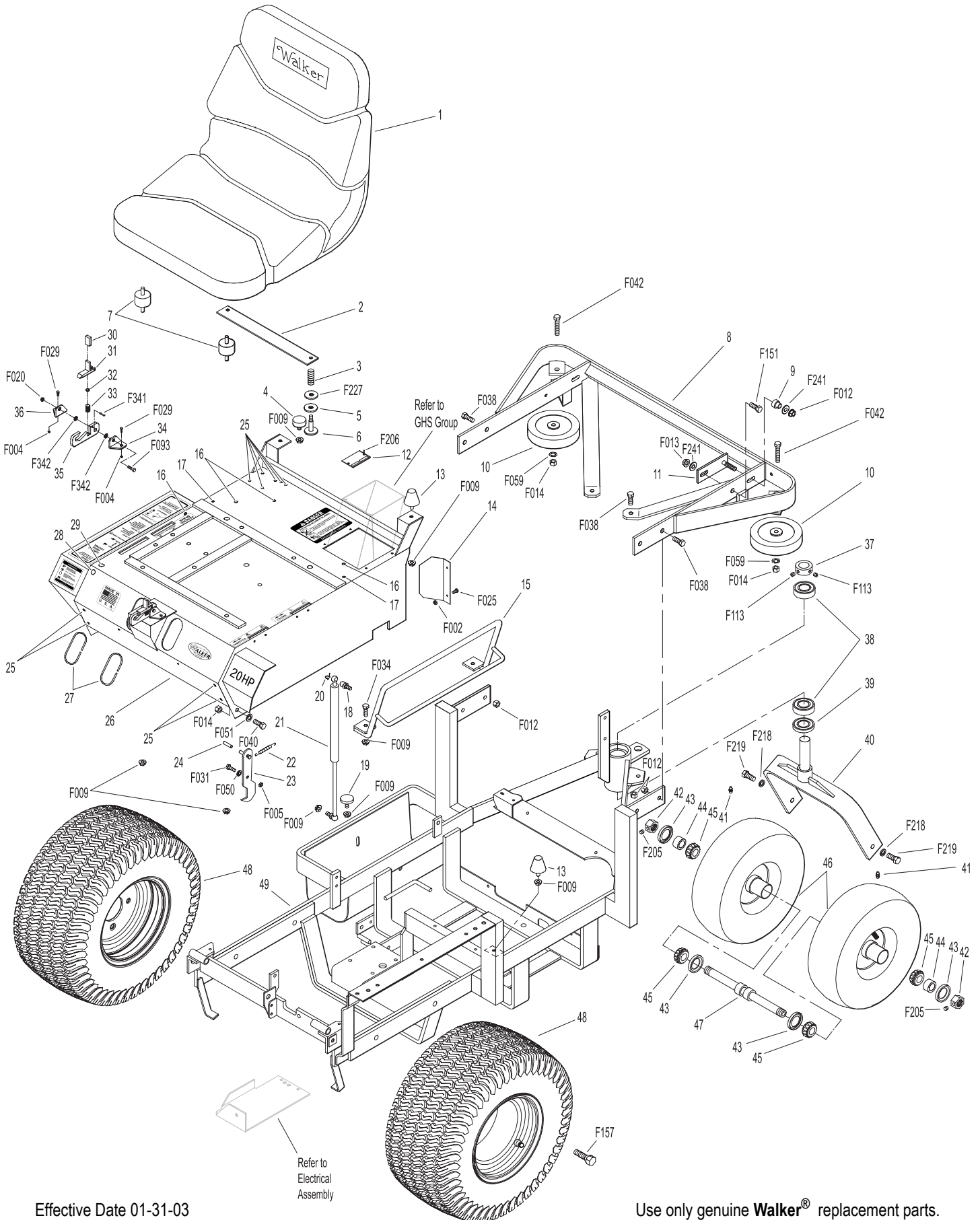
# BODY / CHASSIS ASSEMBLY (GHS MODELS) MT

ITEM NO.	PART NO.	DESCRIPTION	NO. REQ'D	ITEM NO.	PART NO.	DESCRIPTION	NO. REQ'D
<b>Seat Assembly</b>				43	8037-1	Seal, Tail Wheel Axle	4
1	5103	Seat	1	44	8038-1	Spacer, Tail Wheel Axle	2
2	7203	Seat Spring Plate	1	45	8037	Bearing Cone (3/4 ID)	4
3	7223	Compression Spring (1/2 x 1)	2	46	8035	Tail Wheel & Tire Assembly (13 x 5.00-6)	2
4	7845	Rubber Bumper (1.375 OD x .63)	2			(With Bearing Race)	
5	7846	Rubber Washer (3/8 ID x 1-1/4 OD x 1/8)	2		7035-1	Tail Wheel Tire (13 x 5.00-6)	**
6	7204	Shoulder Bolt, Seat Mount	2		8036	Wheel & Hub (6 x 3.25)	**
7	7440-5	Shock Mount (1.25 D x .75)	2			(Includes Item # 41 & Bearing Race)	
<b>Rear Bumper Assembly (GHS Models Only)*</b>					8037-2	Bearing Race	**
8	7516	7.0 / 9.5 Rear Bumper	1	47	8038	Tail Wheel Axle (3/4 x 10-3/8)	1
9	7516-5	Catcher Pivot Bushing	2	48	7070	Wheel & Tire Assembly (18 x 9.5-8)	2
10	5162	Roller Wheel (5" Rubber)	2		7070-1	Drive Tire (18 x 9.5-8)	**
11	7517-2	Catcher Pivot Plate	2		5070-4	Wide Wheel (8 x 7)	**
<b>Body Assembly</b>				49	8300-3	Chassis Frame	1
12	NS	Body ID Plate	1	<b>Fasteners</b>			
13	5845	Rubber Bumper (1.50 OD x 1.25)	4	F002	10-24 Keps Nut		2
14	8118	Heat Deflector	1	F004	1/4-20 Keps Nut		2
15	7422	Panel Guard	1	F005	1/4-20 ESNA Nut		1
16	5989-4	Dome Plug (3/8)	4	F009	5/16-18 Whiz Locknut		13
17	5989-3	Dome Plug (5/16)	2	F012	3/8-16 Keps Nut		8
18	7146	13mm Ball Stud	2	F013	3/8-16 Whiz Locknut		2
19	7844	Rubber Bumper (1.25 OD x .25)	1	F014	3/8-16 ESNA Nut		4
20	7147	Spring Clip	2	F020	5/16-18 ESNA Nut		1
21	7145	Gas Spring Assembly (Includes Items # 18 & 20)	1	F025	10-24 x 3/8 PPHMS		2
22	7222	Spring, Body Release	1	F029	1/4-20 x 1/2 Hex Bolt		2
23	7383-1	Body Latch Hook	1	F031	1/4-20 x 5/8 Hex Bolt		1
24	7854	Plastic Tip, Red	1	F034	5/16-18 x 3/4 Hex Bolt		2
25	5989-9	Dome Plug (1/4)	10	F038	3/8-16 x 1 Hex Bolt		6
26	8100	Welded Body	1	F040	3/8-16 x 1-1/2 Hex Bolt		2
27	5180	Edge Molding, Lever Opening	2	F042	3/8-16 x 2-1/4 Hex Bolt		2
28	5989-55	Dome Plug	1	F050	1/4 SAE Washer		1
29	5989-5	Dome Plug (7/16)	1	F051	3/8 SAE Washer		2
<b>Tilt-Up Latch Assembly</b>				F059	3/8 Wave Spring Washer		2
30	5847	Plastic Tip	1	F093	5/16-18 x 1 Hex Bolt		1
31	5744-20	Spring Arm, Tilt-Up Latch	1	F113	5/16-18 x 5/16 Set Screw		2
32	5744-10	Spring Pivot Bushing	1	F151	3/8-16 x 7/8 Hex Bolt		2
33	5744-15	Compression Spring (3/8 x 5/8)	1	F157	1/2-20 x 1-1/4 Wheel Lug Bolt		8
34	5744-13	Mount Angle, LH	1	F205	5/16-18 x 1/4 Set Screw, Knurl Point		2
35	5744-12	Hook, Tilt-Up Latch	1	F206	#2 x 3/16 Drive Pin		2
36	5744-14	Mount Angle, RH	1	F218	7/16 Split Lock Washer		2
<b>Chassis Assembly</b>				F219	7/16-14 x 1-1/4 Hex Bolt		2
37	5267-1	Retainer Collar (1") (Includes Item # F113)	1	F227	3/8 x 1-1/4 x 1/8 Plastic Washer		2
38	5270-1	Pivot Bearing	2	F241	.375 x .875 x .10 Washer		4
39	5842-1	Washer, Axle Spacer	1	F341	Coil Roll Pin (7/64 x 9/16)		1
40	7420	Tail Wheel Fork	1	F342	5/16 Conical Washer		2
41	5830-3	Grease Fitting (45 Degree)	2	* Rear Bumper Assembly for SD Models is not shown here. Refer to <b>BODY ASSEMBLY (SD MODELS)</b> , Page 14.			
42	8039	Nut, Tail Wheel Axle	2	** Service Part Only			

Use only genuine Walker® replacement parts.

Effective Date 01-31-03

# BODY / CHASSIS ASSEMBLY (GHS MODELS) MT



Effective Date 01-31-03

Use only genuine Walker® replacement parts.

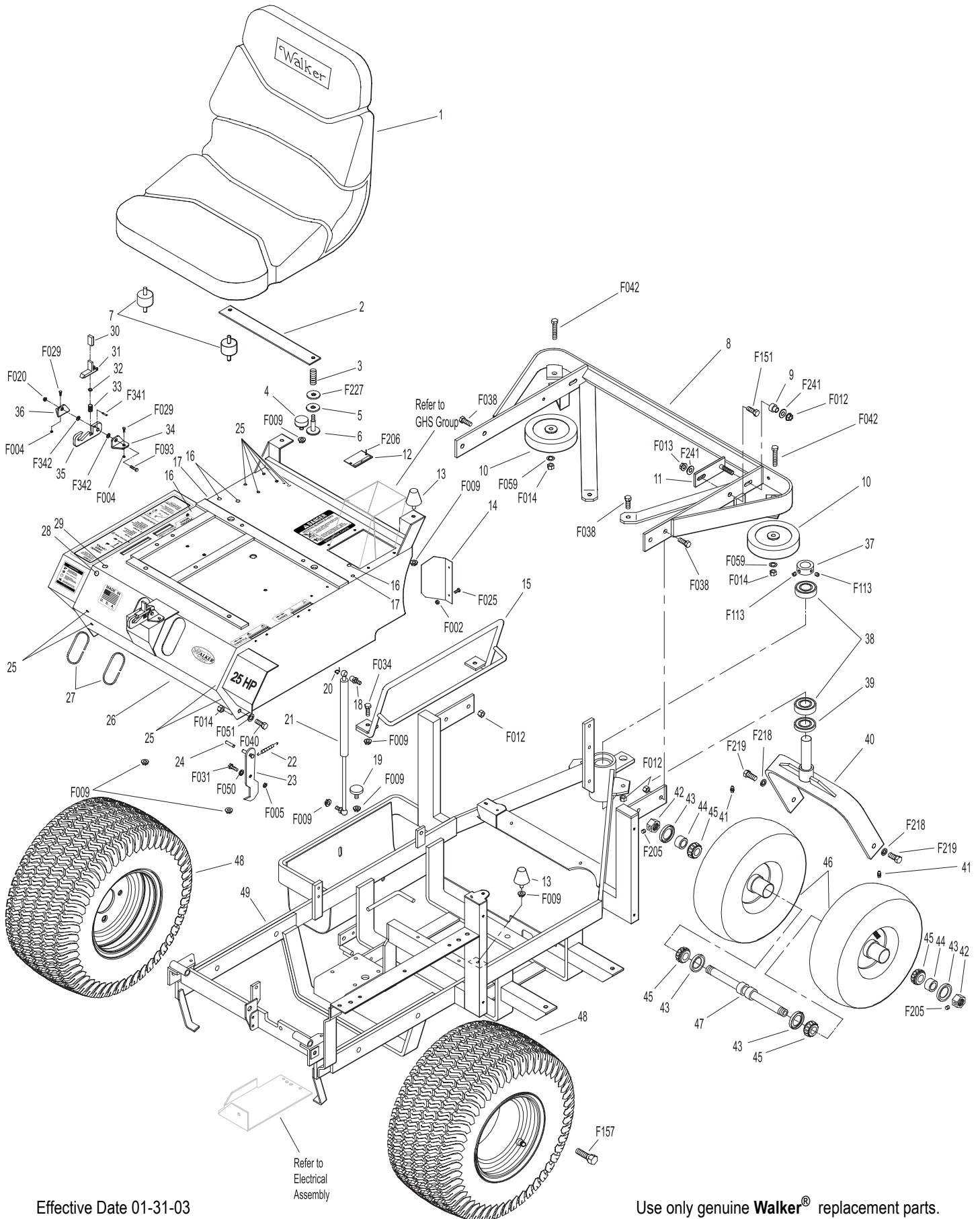
# BODY / CHASSIS ASSEMBLY (GHS MODELS) MTL

ITEM NO.	PART NO.	DESCRIPTION	NO. REQ'D	ITEM NO.	PART NO.	DESCRIPTION	NO. REQ'D
<b>Seat Assembly</b>				42	8039	Nut, Tail Wheel Axle	2
1	5103	Seat	1	43	8037-1	Seal, Tail Wheel Axle	4
2	7203	Seat Spring Plate	1	44	8038-1	Spacer, Tail Wheel Axle	2
3	7223	Compression Spring (1/2 x 1)	2	45	8037	Bearing Cone (3/4 ID)	4
4	7845	Rubber Bumper (1.375 OD x .63)	2	46	8035	Tail Wheel & Tire Assembly (13 x 5.00-6) (With Bearing Race)	2
5	7846	Rubber Washer (3/8 ID x 1-1/4 OD x 1/8)	2		7035-1	Tail Wheel Tire (13 x 5.00-6)	**
6	7204	Shoulder Bolt, Seat Mount	2		8036	Wheel & Hub (6 x 3.25) (Includes Item # 41 & Bearing Race)	**
7	7440-5	Shock Mount (1.25 D x .75)	2		8037-2	Bearing Race	**
<b>Rear Bumper Assembly (GHS Models Only)*</b>				47	8038	Tail Wheel Axle (3/4 x 10-3/8)	1
8	7516-7	7.0 / 9.5 Rear Bumper	1	48	7070	Wheel & Tire Assembly (18 x 9.5-8)	2
9	7516-5	Catcher Pivot Bushing	2		7070-1	Drive Tire (18 x 9.5-8)	**
10	5162	Roller Wheel (5" Rubber)	2		5070-4	Wide Wheel (8 x 7)	**
11	7517-2	Catcher Pivot Plate	2	49	8300-4	Chassis Frame	1
<b>Body Assembly</b>				<b>Fasteners</b>			
12	NS	Body ID Plate	1		F002	10-24 Keps Nut	2
13	5845	Rubber Bumper (1.50 OD x 1.25)	4		F004	1/4-20 Keps Nut	2
14	8118	Heat Deflector	1		F005	1/4-20 ESNA Nut	1
15	7422	Panel Guard	1		F009	5/16-18 Whiz Locknut	13
16	5989-4	Dome Plug (3/8)	4		F012	3/8-16 Keps Nut	8
17	5989-3	Dome Plug (5/16)	2		F013	3/8-16 Whiz Locknut	2
18	7146	13mm Ball Stud	2		F014	3/8-16 ESNA Nut	4
19	7844	Rubber Bumper (1.25 OD x .25)	1		F020	5/16-18 ESNA Nut	1
20	7147	Spring Clip	2		F025	10-24 x 3/8 PPHMS	2
21	7145	Gas Spring Assembly (Includes Items # 18 & 20)	1		F029	1/4-20 x 1/2 Hex Bolt	2
22	7222	Spring, Body Release	1		F031	1/4-20 x 5/8 Hex Bolt	1
23	7383-1	Body Latch Hook	1		F034	5/16-18 x 3/4 Hex Bolt	2
24	7854	Plastic Tip, Red	1		F038	3/8-16 x 1 Hex Bolt	6
25	5989-9	Dome Plug (1/4)	10		F040	3/8-16 x 1-1/2 Hex Bolt	2
26	8100-1	Welded Body	1		F042	3/8-16 x 2-1/4 Hex Bolt	2
27	5180	Edge Molding, Lever Opening	2		F050	1/4 SAE Washer	1
28	5989-55	Dome Plug	1		F051	3/8 SAE Washer	2
29	5989-5	Dome Plug (7/16)	1		F059	3/8 Wave Spring Washer	2
<b>Tilt-Up Latch Assembly</b>					F093	5/16-18 x 1 Hex Bolt	1
30	5847	Plastic Tip	1		F113	5/16-18 x 5/16 Set Screw	2
31	5744-20	Spring Arm, Tilt-Up Latch	1		F151	3/8-16 x 7/8 Hex Bolt	2
32	5744-10	Spring Pivot Bushing	1		F157	1/2-20 x 1-1/4 Wheel Lug Bolt	8
33	5744-15	Compression Spring (3/8 x 5/8)	1		F205	5/16-18 x 1/4 Set Screw, Knurl Point	2
34	5744-13	Mount Angle, LH	1		F206	#2 x 3/16 Drive Pin	2
35	5744-12	Hook, Tilt-Up Latch	1		F218	7/16 Split Lock Washer	2
36	5744-14	Mount Angle, RH	1		F219	7/16-14 x 1-1/4 Hex Bolt	2
<b>Chassis Assembly</b>					F227	3/8 x 1-1/4 x 1/8 Plastic Washer	2
37	5267-1	Retainer Collar (1") (Includes Item # F113)	1		F241	.375 x .875 x .10 Washer	4
38	5270-1	Pivot Bearing	2		F341	Coil Roll Pin (7/64 x 9/16)	1
39	5842-1	Washer, Axle Spacer	1		F342	5/16 Conical Washer	2
40	7420	Tail Wheel Fork	1	* Rear Bumper Assembly for SD Models is not shown here. Refer to <b>BODY ASSEMBLY (SD MODELS) MTL</b> , Page 16.			
41	5830-3	Grease Fitting (45 Degree)	2	** Service Part Only			

Use only genuine **Walker**<sup>®</sup> replacement parts.

Effective Date 01-31-03

# BODY / CHASSIS ASSEMBLY (GHS MODELS) MTL



Effective Date 01-31-03

Use only genuine Walker® replacement parts.

# BODY / CHASSIS ASSEMBLY (GHS MODELS) MTEFI

ITEM NO.	PART NO.	DESCRIPTION	NO. REQ'D	ITEM NO.	PART NO.	DESCRIPTION	NO. REQ'D
<b>Seat Assembly</b>				43	8037-1	Seal, Tail Wheel Axle	4
1	5103	Seat	1	44	8038-1	Spacer, Tail Wheel Axle	2
2	7203	Seat Spring Plate	1	45	8037	Bearing Cone (3/4 ID)	4
3	7223	Compression Spring (1/2 x 1)	2	46	8035	Tail Wheel & Tire Assembly (13 x 5.00-6) (With Bearing Race)	2
4	7845	Rubber Bumper (1.375 OD x .63)	2		7035-1	Tail Wheel Tire (13 x 5.00-6)	**
5	7846	Rubber Washer (3/8 ID x 1-1/4 OD x 1/8)	2		8036	Wheel & Hub (6 x 3.25) (Includes Item # 41 & Bearing Race)	**
6	7204	Shoulder Bolt, Seat Mount	2		8037-2	Bearing Race	**
7	7440-5	Shock Mount (1.25 D x .75)	2	47	8038	Tail Wheel Axle (3/4 x 10-3/8)	1
<b>Rear Bumper Assembly (GHS Models Only)*</b>				48	7070	Wheel & Tire Assembly (18 x 9.5-8)	2
8	7516	7.0 / 9.5 Rear Bumper	1		7070-1	Drive Tire (18 x 9.5-8)	**
9	7516-5	Catcher Pivot Bushing	2		5070-4	Wide Wheel (8 x 7)	**
10	5162	Roller Wheel (5" Rubber)	2	49	8300-3	Chassis Frame	1
11	7517-2	Catcher Pivot Plate	2	<b>Fasteners</b>			
<b>Body Assembly</b>					F002	10-24 Keps Nut	2
12	NS	Body ID Plate	1		F004	1/4-20 Keps Nut	2
13	5845	Rubber Bumper (1.50 OD x 1.25)	4		F005	1/4-20 ESNA Nut	1
14	8118	Heat Deflector	1		F009	5/16-18 Whiz Locknut	13
15	7422	Panel Guard	1		F012	3/8-16 Keps Nut	8
16	5989-4	Dome Plug (3/8)	4		F013	3/8-16 Whiz Locknut	2
17	5989-3	Dome Plug (5/16)	2		F014	3/8-16 ESNA Nut	4
18	7146	13mm Ball Stud	2		F020	5/16-18 ESNA Nut	1
19	7844	Rubber Bumper (1.25 OD x .25)	1		F025	10-24 x 3/8 PPHMS	2
20	7147	Spring Clip	2		F029	1/4-20 x 1/2 Hex Bolt	2
21	7145	Gas Spring Assembly (Includes Items # 18 & 20)	1		F031	1/4-20 x 5/8 Hex Bolt	1
22	7222	Spring, Body Release	1		F034	5/16-18 x 3/4 Hex Bolt	2
23	7383-1	Body Latch Hook	1		F038	3/8-16 x 1 Hex Bolt	6
24	7854	Plastic Tip, Red	1		F040	3/8-16 x 1-1/2 Hex Bolt	2
25	5989-9	Dome Plug (1/4)	10		F042	3/8-16 x 2-1/4 Hex Bolt	2
26	8100-10	Welded Body	1		F050	1/4 SAE Washer	1
27	5180	Edge Molding, Lever Opening	2		F051	3/8 SAE Washer	2
28	5989-55	Dome Plug	1		F059	3/8 Wave Spring Washer	2
29	5989-5	Dome Plug (7/16)	1		F093	5/16-18 x 1 Hex Bolt	1
<b>Tilt-Up Latch Assembly</b>					F113	5/16-18 x 5/16 Set Screw	2
30	5847	Plastic Tip	1		F151	3/8-16 x 7/8 Hex Bolt	2
31	5744-20	Spring Arm, Tilt-Up Latch	1		F157	1/2-20 x 1-1/4 Wheel Lug Bolt	8
32	5744-10	Spring Pivot Bushing	1		F205	5/16-18 x 1/4 Set Screw, Knurl Point	2
33	5744-15	Compression Spring (3/8 x 5/8)	1		F206	#2 x 3/16 Drive Pin	2
34	5744-13	Mount Angle, LH	1		F218	7/16 Split Lock Washer	2
35	5744-12	Hook, Tilt-Up Latch	1		F219	7/16-14 x 1-1/4 Hex Bolt	2
36	5744-14	Mount Angle, RH	1		F227	3/8 x 1-1/4 x 1/8 Plastic Washer	2
<b>Chassis Assembly</b>					F241	.375 x .875 x .10 Washer	4
37	5267-1	Retainer Collar (1") (Includes Item # F113)	1		F341	Coil Roll Pin (7/64 x 9/16)	1
38	5270-1	Pivot Bearing	2		F342	5/16 Conical Washer	2
39	5842-1	Washer, Axle Spacer	1	* Rear Bumper Assembly for SD Models is not shown here. Refer to <b>BODY ASSEMBLY (SD MODELS)</b> , Page 14.			
40	7420	Tail Wheel Fork	1	** Service Part Only			
41	5830-3	Grease Fitting (45 Degree)	2				
42	8039	Nut, Tail Wheel Axle	2				

Use only genuine **Walker**<sup>®</sup> replacement parts.

Effective Date 01-31-03



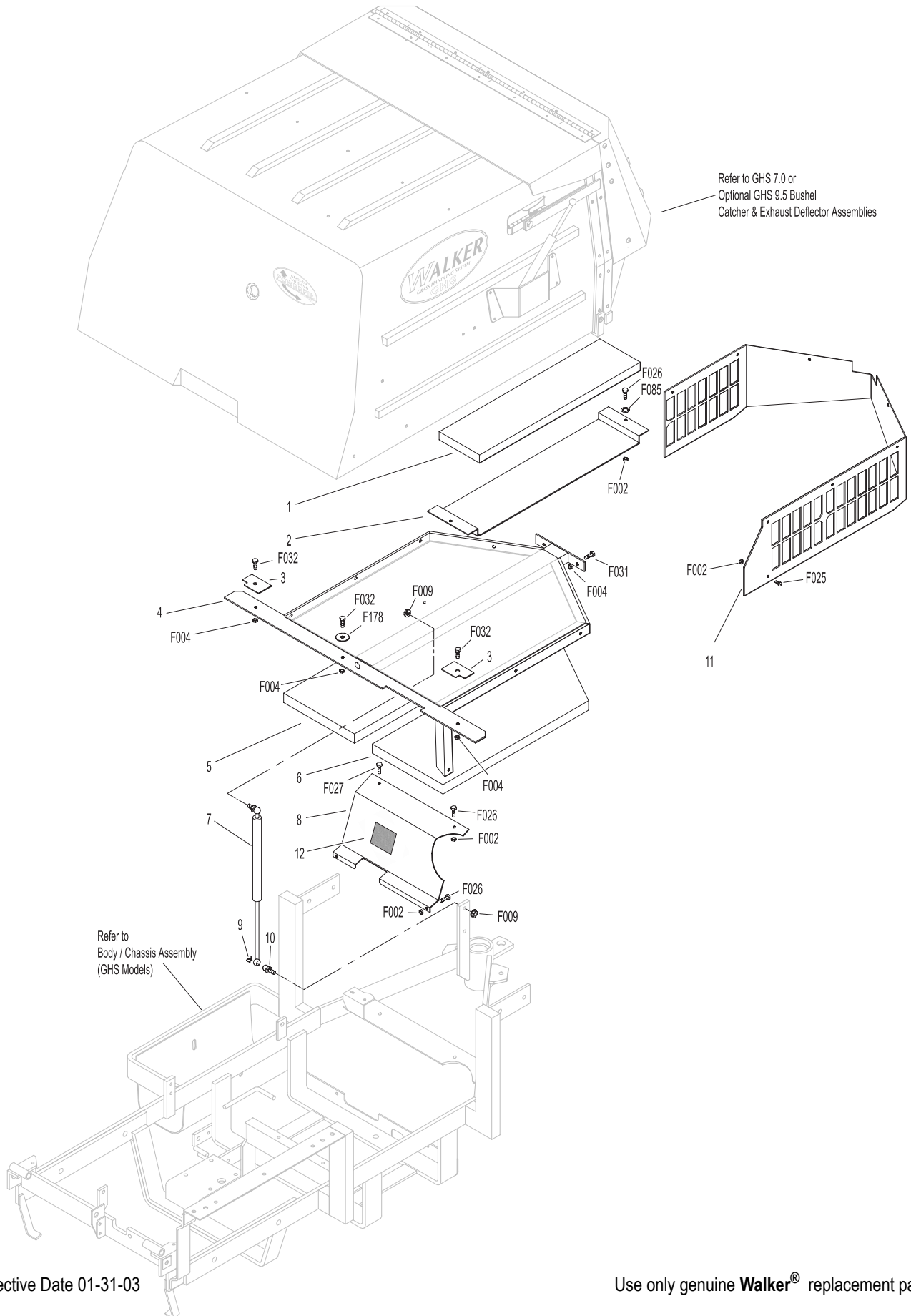


## REAR BODY ASSEMBLY (GHS MODELS)

ITEM NO.	PART NO.	DESCRIPTION	NO. REQ'D	ITEM NO.	PART NO.	DESCRIPTION	NO. REQ'D
<b>Rear Body Assembly (GHS Models)</b>				<b>Fasteners</b>			
1	7190-3	Insulation Foam Pad (5 x 20)	1	F002		10-24 Keps Nut	13
2	8082	Heat Shield	1	F004		1/4-20 Keps Nut	5
3	8515-10	Catcher Reinforcing Plate	2	F009		5/16-18 Whiz Locknut	2
4	8515-3	Catcher Support Frame	1	F025		10-24 x 3/8 PPHMS	8
5	7190-2	Insulation Foam Pad, RH	1	F026		10-24 x 1/2 PPHMS	4
6	7190-1	Insulation Foam Pad, LH	1	F027		10-24 x 5/8 PPHMS	1
7	7145	Gas Spring Assembly (Includes Items # 9 & 10)	1	F031		1/4-20 x 5/8 Hex Bolt	2
8	8389-2	Splash Guard with Mat	1	F032		1/4-20 x 3/4 Hex Bolt	3
9	7147	Spring Clip	2	F085		3/16 Rivet Backup Washer	1
10	7146	13mm Ball Stud	2	F178		1/4 x 1 Fender Washer	1
11	8105-1	Rear Body Panel	1	<b>NOTE:</b> Rear Bumper Assembly for GHS Models is not shown here. Refer to <b>BODY / CHASSIS ASSEMBLY (GHS MODELS) MT</b> , Page 4.			
12	8389-12	Rubber Mat (3 x 3)	1				



# REAR BODY ASSEMBLY (GHS MODELS)

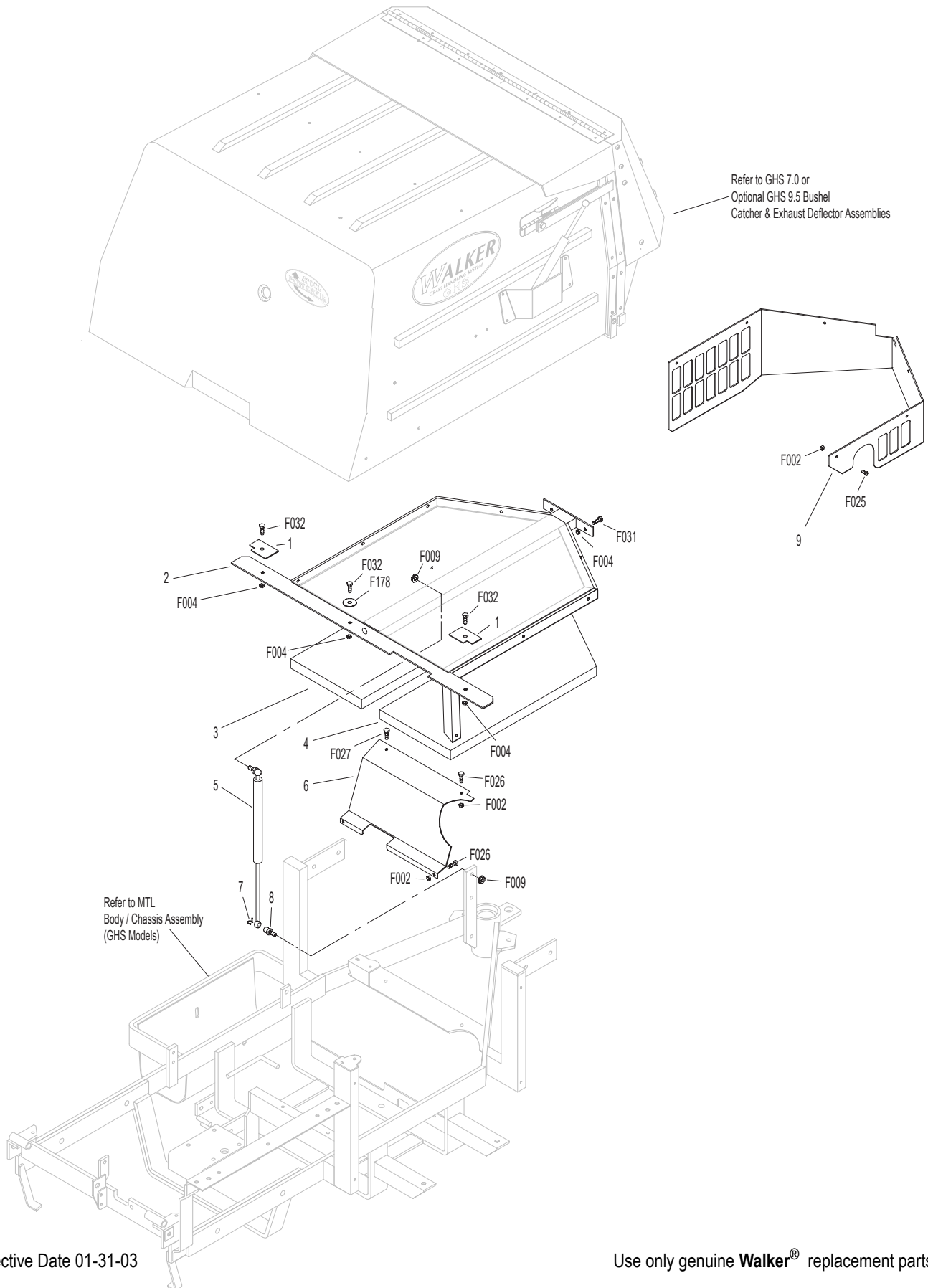


## REAR BODY ASSEMBLY (GHS MODELS) MTL

ITEM NO.	PART NO.	DESCRIPTION	NO. REQ'D	ITEM NO.	PART NO.	DESCRIPTION	NO. REQ'D
<b>Rear Body Assembly (GHS Models)</b>				<b>Fasteners</b>			
1	8515-10	Catcher Reinforcing Plate	2		F002	10-24 Keps Nut	11
2	8515-3	Catcher Support Frame	1		F004	1/4-20 Keps Nut	5
3	7190-2	Insulation Foam Pad, RH	1		F009	5/16-18 Whiz Locknut	2
4	7190-1	Insulation Foam Pad, LH	1		F025	10-24 x 3/8 PPHMS	8
5	7145	Gas Spring Assembly (Includes Items # 9 & 10)	1		F026	10-24 x 1/2 PPHMS	2
					F027	10-24 x 5/8 PPHMS	1
6	8389-3	Splash Guard	1		F031	1/4-20 x 5/8 Hex Bolt	2
7	7147	Spring Clip	2		F032	1/4-20 x 3/4 Hex Bolt	3
8	7146	13mm Ball Stud	2		F178	1/4 x 1 Fender Washer	1
9	8105-15	Rear Body Panel	1				

**NOTE:** Rear Bumper Assembly for GHS Models is not shown here. Refer to **BODY / CHASSIS ASSEMBLY (GHS MODELS) MTL**, Page 6.

# REAR BODY ASSEMBLY (GHS MODELS) MTL



Effective Date 01-31-03

Use only genuine Walker® replacement parts.

## BODY ASSEMBLY (SD MODELS)

ITEM NO.	PART NO.	DESCRIPTION	NO. REQ'D	ITEM NO.	PART NO.	DESCRIPTION	NO. REQ'D
<b>Utility Bed Assembly</b>				<b>Fasteners</b>			
1	8650-10	Bed Liner	1	F002		10-24 Keps Nut	16
2	8650-2	Utility Bed	1	F009		5/16-18 Whiz Locknut	2
3	7190-2	Insulation Foam Pad, RH	1	F012		3/8-16 Keps Nut	6
4	7190-1	Insulation Foam Pad, LH	1	F013		3/8-16 Whiz Locknut	4
<b>Rear Bumper Assembly (SD Models)</b>				F014		3/8-16 ESNA Nut	2
5	7153-3	Cover Plate	1	F025		10-24 x 3/8 PPHMS	8
6	7145	Gas Spring Assembly (Includes Items # 7 & 8)	1	F026		10-24 x 1/2 PPHMS	3
7	7147	Spring Clip	2	F027		10-24 x 5/8 PPHMS	1
8	7146	13mm Ball Stud	2	F038		3/8-16 x 1 Hex Bolt	6
9	7521	Rear Bumper	1	F040		3/8-16 x 1-1/2 Hex Bolt	2
10	5162	Roller Wheel (5" Rubber)	2	F042		3/8-16 x 2-1/4 Hex Bolt	2
11	8105-1	Rear Body Panel	1	F051		3/8 SAE Washer	4
12	8389-2	Splash Guard with Mat	1	F059		3/8 Wave Spring Washer	2
13	8389-12	Rubber Mat (3 x 3)	1	F128		10-24 x 3/8 PTHMS	4

**NOTE:** Refer to **BODY / CHASSIS ASSEMBLY (GHS MODELS)**  
**MT**, Page 4 for all common parts used on both models.

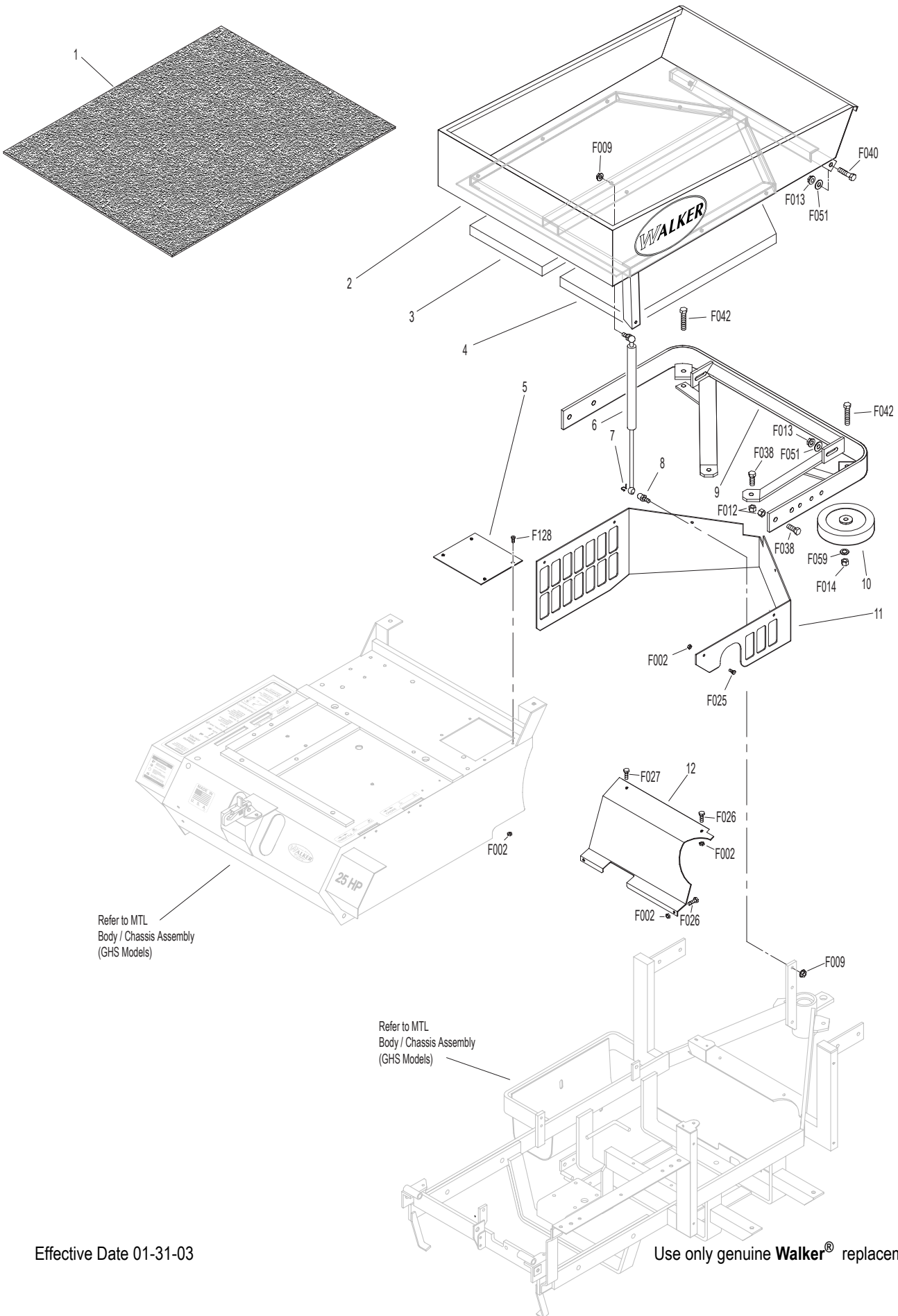


# BODY ASSEMBLY (SD MODELS) MTL

ITEM NO.	PART NO.	DESCRIPTION	NO. REQ'D	ITEM NO.	PART NO.	DESCRIPTION	NO. REQ'D
<b>Utility Bed Assembly</b>				<b>Fasteners</b>			
1	8650-10	Bed Liner	1	F002		10-24 Keps Nut	16
2	8650-3	Utility Bed	1	F009		5/16-18 Whiz Locknut	2
3	7190-2	Insulation Foam Pad, RH	1	F012		3/8-16 Keps Nut	6
4	7190-1	Insulation Foam Pad, LH	1	F013		3/8-16 Whiz Locknut	4
<b>Rear Bumper Assembly (SD Models)</b>				F014		3/8-16 ESNA Nut	2
5	7153-3	Cover Plate	1	F025		10-24 x 3/8 PPHMS	6
6	7145	Gas Spring Assembly (Includes Items # 7 & 8)	1	F026		10-24 x 1/2 PPHMS	3
7	7147	Spring Clip	2	F027		10-24 x 5/8 PPHMS	1
8	7146	13mm Ball Stud	2	F038		3/8-16 x 1 Hex Bolt	6
9	7521-5	Rear Bumper	1	F040		3/8-16 x 1-1/2 Hex Bolt	2
10	5162	Roller Wheel (5")	2	F042		3/8-16 x 2-1/4 Hex Bolt	2
11	8105-15	Rear Body Panel	1	F051		3/8 SAE Washer	4
12	8389-3	Splash Guard	1	F059		3/8 Wave Spring Washer	2
				F128		10-24 x 3/8 PTHMS	4

**NOTE:** Refer to **BODY / CHASSIS ASSEMBLY (GHS MODELS) MTL**, Page 6 for all common parts used on both models.

# BODY ASSEMBLY (SD MODELS) MTL



Effective Date 01-31-03

Use only genuine Walker® replacement parts.

# MAIN COMPONENT POWER TRANSMISSION (GHS MODELS)

ITEM NO.	PART NO.	DESCRIPTION	NO. REQ'D	ITEM NO.	PART NO.	DESCRIPTION	NO. REQ'D
<b>Clutch Lever Assembly</b>				40	8349-2	Idler Arm	1
1	8358	Clutch Lever (Includes Items # 2 & 3)	1	41	7201-4	Inner Race (1-1/2)	2
2	5830	Grease Fitting	7	42	5221	Extension Spring (3/4 x 4)	2
3	7860	Handle Grip	1	43	8539	Starter Relay Mount	1
4	7303-10	Clutch Actuator Bolt (3/8)	1	44	5268	Bearing (3/4)	2
5	7380-5	Knuckle Joint (3/8 ID)	1	45	7241-2	Transmission Drive Pulley, Micro-V (Includes Item # F171)	1
6	7226-10	Compression Spring (3/4 x 2-1/2)	1	46	7833	Cable Clamp (7/8 x 1/4)	1
7	8130-5	Push Rod, Clutch Actuator (Threaded Tube)	1	47	8349	Transmission Belt Tightener Arm	1
8	8130-10	Clutch Actuator Rod Assembly (Includes Items # 2, 4-7, F054, F336 & F353)	1	48	8393	Jackshaft Support	1
9	7201-3	DU Bearing	6	49	8273	Jackshaft (3/4 x 7-1/2)	1
10	7201-5	Inner Race (2-1/4)	1	50	7240-1	Jackshaft Drive Pulley (Includes Item # F171)	1
11	8368	PTO Belt Tightener	1	<b>Fasteners</b>			
12	5841	Retainer Washer	4	F003	1/4-28 Hex Nut	2	
13	8243	Clutch Idler Pulley Assembly (Includes Items # 14, 15 & F070)	1	F004	1/4-20 Keps Nut	3	
	8243-1	Clutch Idler Pulley	1	F005	1/4-20 ESNA Nut	1	
14	5265	Bearing (3/4)	1	F009	5/16-18 Whiz Locknut	3	
15	8243-3	Hub, Idler Pulley	1	F012	3/8-16 Keps Nut	8	
16	8375	PTO Belt Tightener Stop	1	F021	11/16 x 1 x .015 Shim Washer, Steel	2	
17	7377	Plastic Washer (1 x .438 x .025)	2	F029	1/4-20 x 1/2 Hex Bolt	1	
18	7378	Pivot Bearing (7/16 x 9/16)	1	F035	5/16-18 x 1-1/4 Hex Bolt	2	
19	5281-5	Clevis Pin (1/4 x 0.80)	2	F040	3/8-16 x 1-1/2 Hex Bolt	1	
20	5280	Clevis (1/4)	2	F041	3/8-16 x 1-3/4 Hex Bolt	2	
21	8305	Brake Actuator Rod	1	F042	3/8-16 x 2-1/4 Hex Bolt	3	
22	8370	Bearing, Brake Actuator	1	F043	3/8-16 x 3 Hex Bolt	1	
23	8250	Brake Spring (1/2 x 2-1/2)	1	F047	3/8-16 x 4-1/2 Hex Bolt	1	
24	8369	Brake Actuator (Includes Items # 2 & 22)	1	F054	AN960616 Washer	4	
<b>PTO Drive Shaft Assembly</b>				F061	1/4 Internal Star Lock Washer	1	
25	7050-1	Dipstick, Gearbox	1	F067	3/16 x 3/16 x 1 Key	2	
26	8371-1	Mount Bracket, Brake Band	1	F069	3/32 x 1/2 Cotter Pin	2	
27	8377	Brake Band Guide	1	F070	1-3/4 Internal Snap Ring	1	
28	8050-11	PTO Gearbox Flange Pulley	1	F116	1/4-20 x 1-1/4 Hex Bolt	1	
29	5245	Idler Pulley (3")	2	F121	5/16-18 x 3/8 x 1 SHL Bolt	1	
30	7248	Ground Drive Belt, Micro-V	1	F131	5/16-18 x 1/2 Hex Bolt	2	
31	7275-15	Universal Joint Tube Assembly	1	F132	1/4-20 x 2-3/4 Hex Bolt	1	
32	7523-2	Clevis Pin (1/4 x 5/8)	1	F135	3/16 x 3/16 x 1-3/4 Key	1	
33	8304	Brake Band (14-1/2)	1	F163	5/16-18 x 3/4 SQH Set Screw	1	
34	6250	Drive Belt (3VX375)	1	F168	5/16 Split Lock Washer	9	
35	7236-1	PTO Drive Pulley (4-V213V) (Includes Items # F168 & F226)	1	F171	5/16-18 x 3/8 Set Screw	4	
36	8237-1	Engine Pulley (4/3-8/3V) (Includes Item # F163)	1	F178	1/4 x 1 Fender Washer	1	
37	8230	Engine PTO Belt	1	F182	5/8 x 1/4 x 1/8 Washer	2	
<b>Jackshaft Assembly</b>				F186	5/64 x 1/2 Cotter Pin	1	
38	7245-1	Idler Pulley (3/8 Groove)	1	F226	5/16-18 x 7/8 Hex Bolt	9	
39	6325-2	Spacer Bushing (5/16)	2	F240	1/4 x 1/4 x 2-1/4 Key	1	
				F241	.375 x .875 x .10 Washer	1	
				F283	5/16-18 x 7/8 SQH Set Screw	1	
				F325	1/4-20 x 3 Hex Bolt	1	
				F336	3/8-16 Jam Nut	1	
				F353	3/8-16 ESNA LP Nut	1	

Use only genuine **Walker**<sup>®</sup> replacement parts.

Effective Date 01-31-03





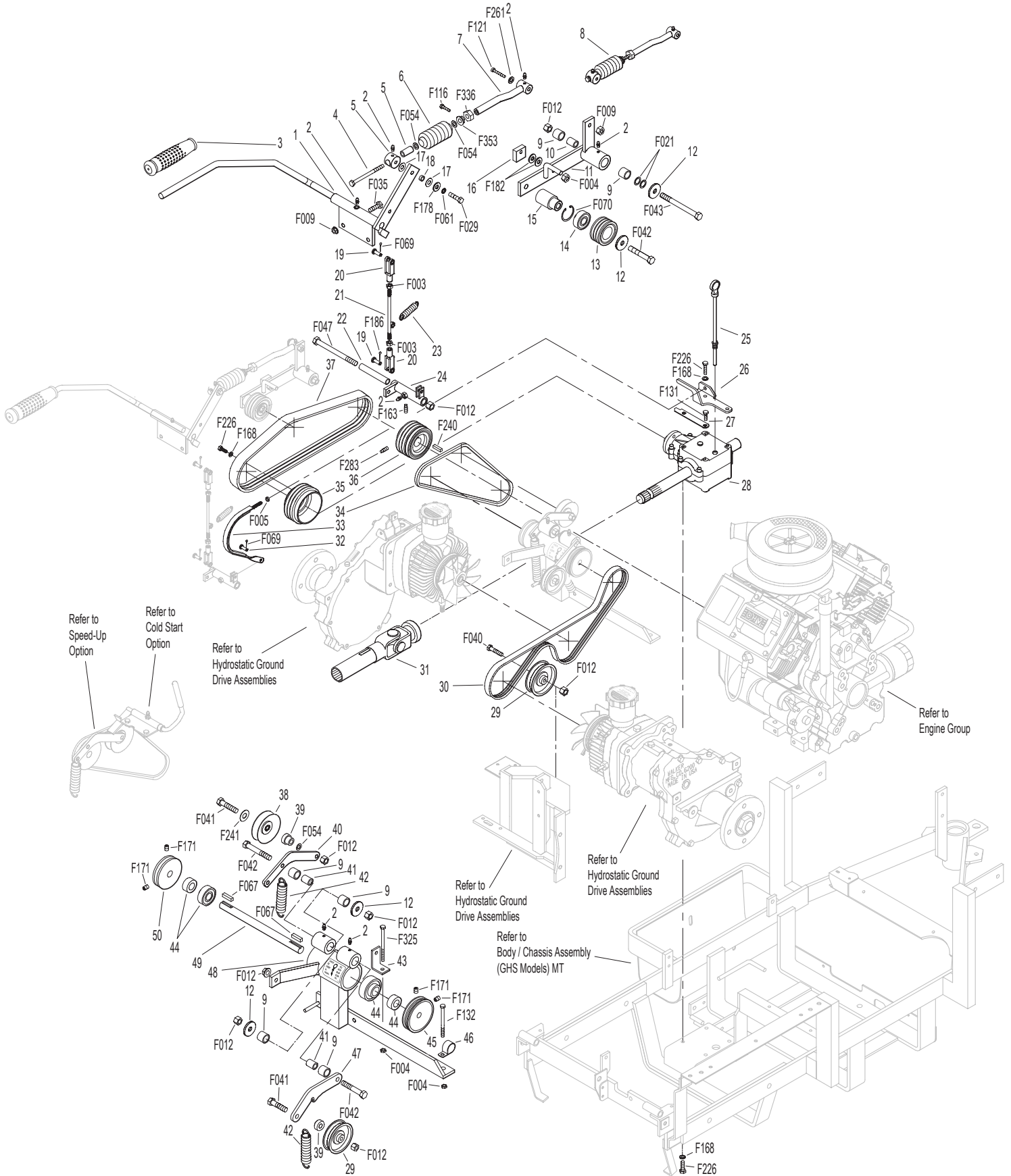
# MAIN COMPONENT POWER TRANSMISSION (SD MODELS)

ITEM NO.	PART NO.	DESCRIPTION	NO. REQ'D	ITEM NO.	PART NO.	DESCRIPTION	NO. REQ'D
<b>Clutch Lever Assembly</b>				40	8349-2	Idler Arm	1
1	8358	Clutch Lever (Includes Items # 2 & 3)	1	41	7201-4	Inner Race (1-1/2)	2
2	5830	Grease Fitting	7	42	5221	Extension Spring (3/4 x 4)	2
3	7860	Handle Grip	1	43	8539	Starter Relay Mount	1
4	7303-10	Clutch Actuator Bolt (3/8)	1	44	5268	Bearing (3/4)	2
5	7380-5	Knuckle Joint (3/8 ID)	1	45	7241-2	Transmission Drive Pulley, Micro-V (Includes Item # F171)	1
6	7226-10	Compression Spring (3/4 x 2-1/2)	1	46	8349	Transmission Belt Tightener Arm	1
7	8130-5	Push Rod, Clutch Actuator (Threaded Tube)	1	47	7833	Cable Clamp (7/8 x 1/4)	1
8	8130-10	Clutch Actuator Rod Assembly (Includes Items # 2, 4-7, F054, F336 & F353)	1	48	8393	Jackshaft Support	1
9	7201-3	DU Bearing	6	49	8273	Jackshaft (3/4 x 7-1/2)	1
10	7201-5	Inner Race (2-1/4)	1	50	7240-1	Jackshaft Drive Pulley (Includes Item # F171)	1
11	8368	PTO Belt Tightener	1	<b>Fasteners</b>			
12	5841	Retainer Washer	4	F003	1/4-28 Hex Nut	2	
13	8243	Clutch Idler Pulley Assembly (Includes Items # 14, 15 & F070)	1	F004	1/4-20 Keps Nut	3	
	8243-1	Clutch Idler Pulley	1	F005	1/4-20 ESNA Nut	1	
14	5265	Bearing (3/4)	1	F009	5/16-18 Whiz Locknut	3	
15	8243-3	Hub, Idler Pulley	1	F012	3/8-16 Keps Nut	8	
16	8375	PTO Belt Tightener Stop	1	F021	11/16 x 1 x .015 Shim Washer, Steel	2	
17	7377	Plastic Washer (1 x .438 x .025)	2	F029	1/4-20 x 1/2 Hex Bolt	1	
18	7378	Pivot Bearing (7/16 x 9/16)	1	F035	5/16-18 x 1-1/4 Hex Bolt	2	
19	5281-5	Clevis Pin (1/4 x 0.80)	2	F040	3/8-16 x 1-1/2 Hex Bolt	1	
20	5280	Clevis (1/4)	2	F041	3/8-16 x 1-3/4 Hex Bolt	2	
21	8305	Brake Actuator Rod	1	F042	3/8-16 x 2-1/4 Hex Bolt	3	
22	8370	Bearing, Brake Actuator	1	F043	3/8-16 x 3 Hex Bolt	1	
23	8250	Brake Spring (1/2 x 2-1/2)	1	F047	3/8-16 x 4-1/2 Hex Bolt	1	
24	8369	Brake Actuator (Includes Items # 2 & 22)	1	F054	AN960616 Washer	4	
<b>PTO Drive Shaft Assembly</b>				F061	1/4 Internal Star Lock Washer	1	
25	7050-1	Dipstick, Gearbox	1	F067	3/16 x 3/16 x 1 Key	2	
26	8371-1	Mount Bracket, Brake Band	1	F069	3/32 x 1/2 Cotter Pin	2	
27	8377	Brake Band Guide	1	F070	1-3/4 Internal Snap Ring	1	
28	8050-11	PTO Gearbox Flange Pulley	1	F116	1/4-20 x 1-1/4 Hex Bolt	1	
29	5245	Idler Pulley (3")	2	F121	5/16-18 x 3/8 x 1 SHL Bolt	1	
30	7248	Ground Drive Belt, Micro-V	1	F131	5/16-18 x 1/2 Hex Bolt	2	
31	7275-15	Universal Joint Tube Assembly	1	F132	1/4-20 x 2-3/4 Hex Bolt	1	
32	7523-2	Clevis Pin (1/4 x 5/8)	1	F135	3/16 x 3/16 x 1-3/4 Key	1	
33	8304	Brake Band (14-1/2)	1	F163	5/16-18 x 3/4 SQH Set Screw	1	
34	6250	Drive Belt (3VX375)	1	F168	5/16 Split Lock Washer	9	
35	7236-1	PTO Drive Pulley (4-V213V) (Includes Items # F168 & F226)	1	F171	5/16-18 x 3/8 Set Screw	4	
36	8237-1	Engine Pulley (4/3-8/3V) (Includes Item # F163)	1	F178	1/4 x 1 Fender Washer	1	
37	8230	Engine PTO Belt	1	F182	5/8 x 1/4 x 1/8 Washer	2	
<b>Jackshaft Assembly</b>				F186	5/64 x 1/2 Cotter Pin	1	
38	7245-1	Idler Pulley (3/8 Groove)	1	F226	5/16-18 x 7/8 Hex Bolt	9	
39	6325-2	Spacer Bushing (5/16)	2	F240	1/4 x 1/4 x 2-1/4 Key	1	
				F241	.375 x .875 x .10 Washer	1	
				F283	5/16-18 x 7/8 SQH Set Screw	1	
				F325	1/4-20 x 3 Hex Bolt	1	
				F336	3/8-16 Jam Nut	1	
				F353	3/8-16 ESNA LP Nut	1	

Use only genuine **Walker**<sup>®</sup> replacement parts.

Effective Date 01-31-03

# MAIN COMPONENT POWER TRANSMISSION (SD MODELS)



Effective Date 01-31-03

Use only genuine Walker® replacement parts.

# ENGINE GROUP (MT)

ITEM NO.	PART NO.	DESCRIPTION	NO. REQ'D	ITEM NO.	PART NO.	DESCRIPTION	NO. REQ'D
<b>Precleaner Assembly</b>				45	8046-9	Fuel Tank, 5 Gallon, Gas (Includes Items # 34, 40, 43 & 46)	1
1	7026-2	Remote Precleaner (Includes Item # 5)	1	46	5082-2	Fuel Cap Seal	*
2	7440	Shock Mount (1.0 OD x .75)	3	47	5082	Fuel Tank Cap (Includes Item # 45)	*
3	7028-20	Rear Precleaner Mount	1	48	5083-2	Tank Tube Elbow	1
4	7027	Elbow, Precleaner	1	<b>Exhaust Assembly</b>			
5	7840	Hose Clamp (1-5/16 to 2-1/4)	5	49	8530-8	Muffler Grass Shield	1
6	5088-12	Air Cleaner Assembly (Includes Items # 7, 9, 10, 11, 12, 13 & 15)	*	50	NS	Screw (Kohler M-645016-S)	2
7	5088-10	Air Cleaner (Includes Item # 9)	1	51	NS	Gasket (Kohler)	2
8	5088-1	Air Cleaner Band	1	52	NS	Nut (Kohler)	4
9	5090-3	Safety Filter	1	53	8013-9	Muffler	1
10	5090-1	Air Cleaner Cartridge	1	54	8013-13	Muffler Heat Shield	1
11	5088-5	Air Cleaner Draw Latch	1	55	8013-18	Muffler Brace	1
12	5088-11	Air Cleaner Cap	1	56	8021	Engine Brace	1
13	5090-2	Vacuator Valve	1	<b>Fasteners</b>			
14	8026	Air Hose, Cleaner (MT)	1	F002	10-24 Keps Nut		2
15	5091-11	Air Flow Indicator & Nipple	1	F004	1/4-20 Keps Nut		4
16	7031	Tube Support Arm	1	F009	5/16-18 Whiz Locknut		13
17	7028-3	Precleaner Tube, SD	1	F012	3/8-16 Keps Nut		1
18	7028-2	Precleaner Tube, GHS	1	F025	10-24 x 3/8 PPHMS		2
<b>Engine Assembly</b>				F029	1/4-20 x 1/2 Hex Bolt		4
19	NS	Wing Nut (Kohler 1210001)	1	F031	1/4-20 x 5/8 Hex Bolt		2
20	NS	Seal, 7/16 (Kohler)	1	F034	5/16-18 x 3/4 Hex Bolt		1
21	NS	Cover (Kohler) (Includes Items # 22 & 23)	1	F035	5/16-18 x 1-1/4 Hex Bolt		2
22	NS	Foam Precleaner (Kohler 2408302)	1	F038	3/8-16 x 1 Hex Bolt		1
23	NS	Air Filter (Kohler)	1	F050	1/4 SAE Washer		4
24	NS	20-hp Engine	1	F052	5/16 External Star Lock Washer		1
25	NS	Air Cleaner Cover (Kohler 2409654)	1	F053	7/16 Int. Star Lock Washer		2
26	NS	Air Cleaner Cover Seal (Kohler 2474318)	1	F061	1/4 Internal Star Lock Washer		4
27	NS	Fuel Pump (Kohler)	1	F063	3/8 Internal Star Lock Washer		2
28	5879-3	Hose Clamp (1/2)	5	F079	A/A66D Aluminum Pop Rivet		2
29	NS	Screw (Kohler M639016)	3	F090	1/4-20 x 2-1/2 Hex Bolt		2
30	NS	Fuel Line, Engine (Kohler)	*	F091	5/16-18 x 5/8 Hex Bolt		2
31	5020	Fuel Filter	*	F106	3/8-16 x 5/8 Hex Bolt		2
32	NS	Bracket (Kohler 2412622)	1	F120	AN960416 Washer		2
33	NS	Base (Kohler 2409405)	1	F140	7/16-14 x 1 Hex Bolt		2
34	NS	Gasket (Kohler 2404106)	1	F175	1/2 Split Lock Washer		4
35	NS	Oil Filter (Kohler 1205001)	1	F256	7/16 SAE Washer		2
36	8010-6	Valve Cover Sleeve	2	F273	M6 x 1.0 Nut		4
37	5845	Bumper, Rubber (1.50 OD x 1.25)	1	F274	M6 x 1.0 45 Stud		2
38	8010-2	Engine Bumper Mount	1	F285	1/2-13 x 1-1/2 Hex Bolt		4
39	5832	Cable Clamp (1/4)	2	F324	M8 x 1.25 x 12 Hex Bolt		2
<b>Fuel Tank Assembly</b>				* Service Part Only			
40	8015-3	Fuel Line, Tank (1/4 x 24-1/2)	1	<b>NOTE:</b> Item 17 is used only on SD Models. Item 18 is used only on GHS Models. Both items use existing fasteners at clutch lever.			
41	5083-1	Bushing, Rubber	*	<b>NOTE:</b> Items # 19, 20, 21, 23, 26, 31, 32 & 33 are available as a complete kit by ordering Kohler P/N 2477521.			
42	5086	Fuel Line (In Tank P/U)	1	<b>NOTE:</b> Refer to Kohler Engine Decal (NS) for Engine Identification Numbers.			
43	8023	Fuel Tank Support	1				
44	5020-1	Fuel Filter, In Tank	1				

Use only genuine **Walker**<sup>®</sup> replacement parts.

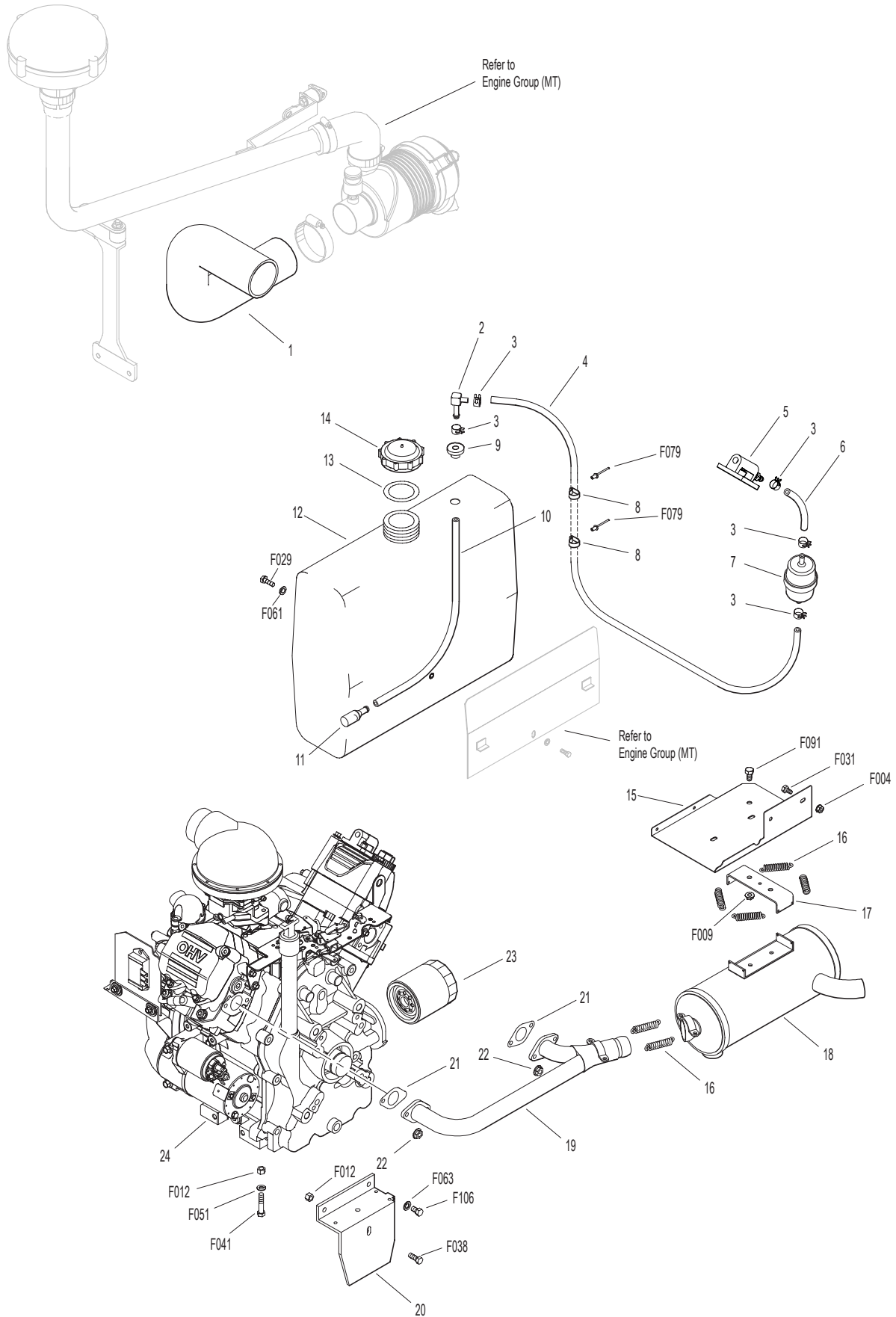
Effective Date 01-31-03



# ENGINE GROUP (MTL)

ITEM NO.	PART NO.	DESCRIPTION	NO. REQ'D	ITEM NO.	PART NO.	DESCRIPTION	NO. REQ'D
<b>Precleaner Assembly</b>				<b>Fasteners</b>			
1	8026	Air Hose, Cleaner (MT)	1	F004		1/4-20 Keps Nut	2
<b>Fuel Tank Assembly</b>				F009		5/16-18 Whiz Locknut	2
2	5083-2	Tank Tube Elbow	1	F012		3/8-16 Keps Nut	6
3	5879-3	Hose Clamp (1/2)	4	F029		1/4-20 x 1/2 Hex Bolt	1
4	8015-3	Fuel Line, Tank	1	F031		1/4-20 x 5/8 Hex Bolt	2
5	NS	Fuel Pump (Kohler)	1	F038		3/8-16 x 1 Hex Bolt	1
6	NS	Fuel Line (Kohler)	1	F041		3/8-16 x 1-3/4 Hex Bolt	4
7	5020	Fuel Filter	**	F051		3/8 SAE Washer	4
8	5832	Cable Clamp (1/4) (Uses Existing Fasteners at Engine)	2	F061		1/4 Internal Star Lock Washer	1
9	5083-1	Bushing, Rubber	**	F063		3/8 Internal Star Lock Washer	2
10	5086	Fuel Line (In Tank P/U)	1	F079		A/A66D Aluminum Pop Rivet	2
11	5020-1	Fuel Filter, In Tank	1	F091		5/16-18 x 5/8 Hex Bolt	2
12	8046-9	Fuel Tank, 5 Gallon, Gas (Includes Items # 33, 39, 44 & 45)	1	F106		3/8-16 x 5/8 Hex Bolt	2
13	5082-2	Fuel Cap Seal	**	* Service Part Only			
14	5082	Fuel Tank Cap (Includes Item # 12)	**	<b>NOTE:</b> Refer to Kohler Engine Decal (NS) for Engine Identification Numbers.			
<b>Exhaust Assembly</b>							
15	8013-81	Heat Shield, MTL Muffler	1				
16	8013-16	Mounting Spring, MTL Muffler	6				
17	8013-15	Hanger Bracket, MTL Muffler	1				
18	8013-14	Muffler, Can Only (MTL)	1				
19	8013-17	Exhaust Pipe, MTL Muffler	1				
20	7958-2	Resistor Mount Plate	1				
21	NS	Gasket (Kohler)	2				
22	NS	Nut (Kohler)	4				
<b>Engine Assembly</b>							
23	NS	Oil Filter (Kohler 1205001)	1				
24	NS	25-hp Engine	1				

# ENGINE GROUP (MTL)

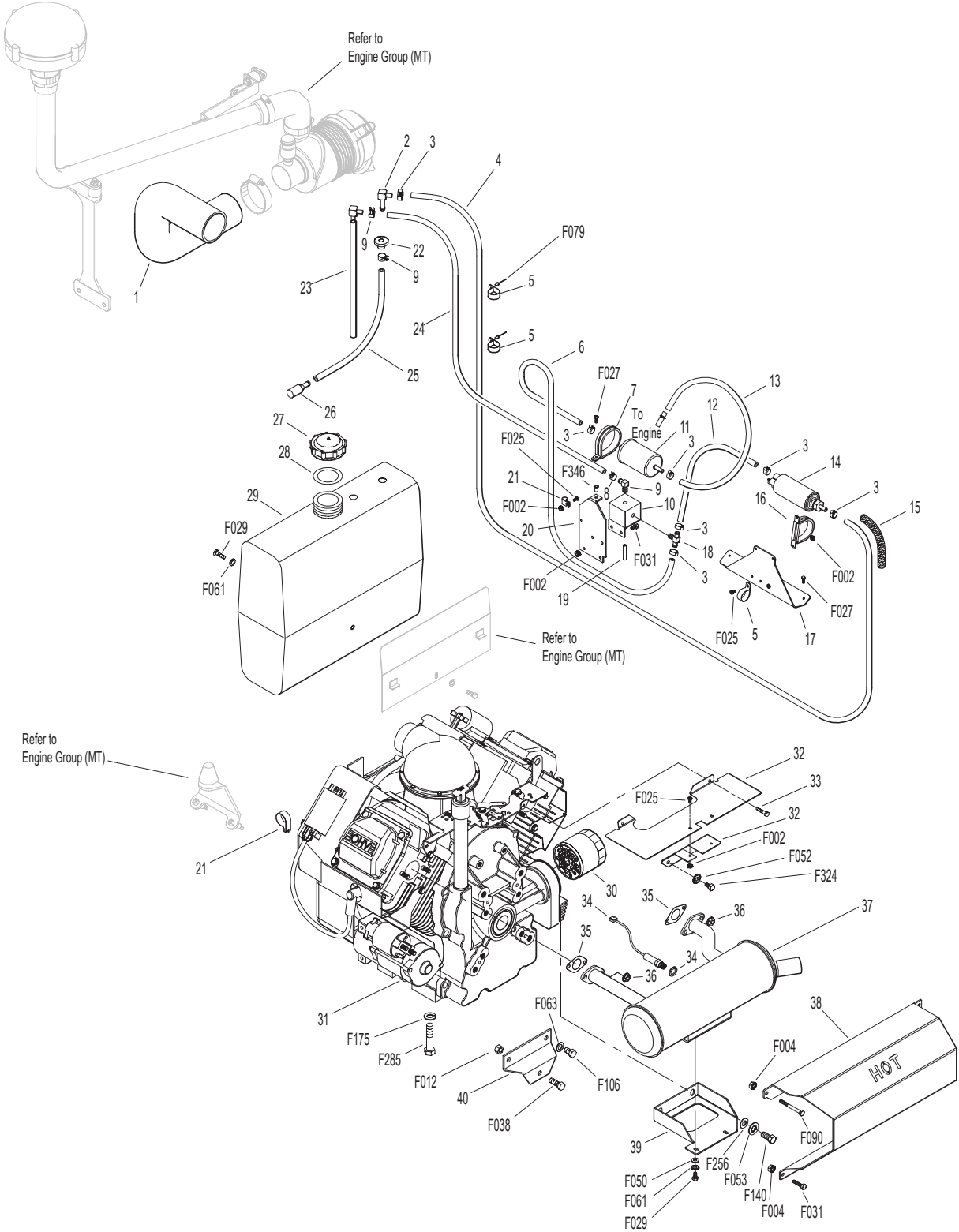


# ENGINE GROUP (MTEFI)

ITEM NO.	PART NO.	DESCRIPTION	NO. REQ'D	ITEM NO.	PART NO.	DESCRIPTION	NO. REQ'D
<b>Precleaner Assembly</b>				<b>Exhaust Assembly</b>			
1	8026-10	Air Hose, Cleaner (MTEFI)	1	32	8530-9	Grass Shield, Muffler (MTEFI)	1
<b>Fuel Tank Assembly</b>				33	NS	Screw (Kohler M645016-S)	1
2	5083-2	Tank Tube Elbow	1	34	NS	Sensor, Oxygen (Kohler) (Includes Item # 37)	1
3	5879-5	Stepless Ear Clamp 5/16	7	35	NS	Gasket (Kohler)	2
4	8026-3	Fuel Line, 5/16 x 32" Tank to Pump	1	36	NS	Nut (Kohler M-0841080)	4
5	7833	Cable Clamp (7/8 x 1/4)	3	37	8013-11	Muffler (EFI)	1
6	8026-5	Fuel Line, 5/16 x 21", (HP), Regulator to Filter	1	38	8013-13	Muffler Heat Shield (MT)	1
7	8026-14	Clamp, Loop Style	1	39	8013-18	Muffler Brace, (MT)	1
8	5879-3	Hose Clamp (1/2)	1	40	8021	Engine Brace	1
9	NS	Tee Fitting (Kohler)	1	<b>Fasteners</b>			
10	NS	Fuel Regulator (Kohler)	1		F002	10-24 Keps Nut	5
11	NS	Fuel Filter (Kohler)	1		F004	1/4-20 Keps Nut	4
12	8026-4	Fuel Line, 5/16 x 8" (HP), Pump to Regulator	1		F012	3/8-16 Keps Nut	1
13	8026-6	Fuel Line, 5/16 x 13", (HP), Filter to Engine	1		F025	10-24 x 3/8 PPHMS	4
14	NS	Fuel Pump (Kohler)	1		F027	10-24 x 5/8 PPHMS	3
15	8123	Insulating Sleeve (3/8 x 6)	1		F029	1/4-20 x 1/2 Hex Bolt	3
16	NS	Clamp (Kohler)	2		F031	1/4-20 x 5/8 Hex Bolt	4
17	7014-3	Fuel Pump Mount Plate	1		F038	3/8-16 x 1 Hex Bolt	1
18	NS	Tee Fitting (Kohler)	1		F050	1/4 SAE Washer	2
19	8026-8	Fuel Line, 3/16" x 2"	1		F052	5/16 External Star Lock Washer	2
20	7014-2	Regulator/Filter Mount	1		F053	7/16 Int. Star Lock Washer	2
21	5832	Cable Clamp (1/4) (Uses Existing Fasteners at Engine)	3		F061	1/4 Internal Star Lock Washer	3
22	5083-1	Bushing, Rubber	*		F063	3/8 Internal Star Lock Washer	2
23	7046-1	Fuel Return Tube	1		F079	A/A66D Aluminum Pop Rivet	2
24	8026-7	Fuel Line, 1/4 x 16" Return Line	1		F090	1/4-20 x 2-1/2 Hex Bolt	2
25	5086	Fuel Line (In Tank P/U)	1		F106	3/8-16 x 5/8 Hex Bolt	2
26	5020-1	Fuel Filter, In Tank	1		F140	7/16-14 x 1 Hex Bolt	2
27	5082	Fuel Tank Cap (Includes Item # 28)	*		F175	1/2 Split Lock Washer	4
28	5082-2	Fuel Cap Seal	*		F256	7/16 SAE Washer	2
29	8046-7	Fuel Tank, 5 Gallon, Gas (Includes Items # 27 & 28)	1		F285	1/2-13 x 1-1/2 Hex Bolt	4
<b>Engine Assembly</b>							
30	NS	Oil Filter (Kohler 1205001)	1		F324	M8 x 1.25 x 12 Hex Bolt	2
31	NS	26-hp EFI Engine	1		F346	Knurled Threaded Insert	1
				* Service Part Only			
				<b>NOTE:</b> Refer to Kohler Engine Decal (NS) for Engine Identification Numbers.			



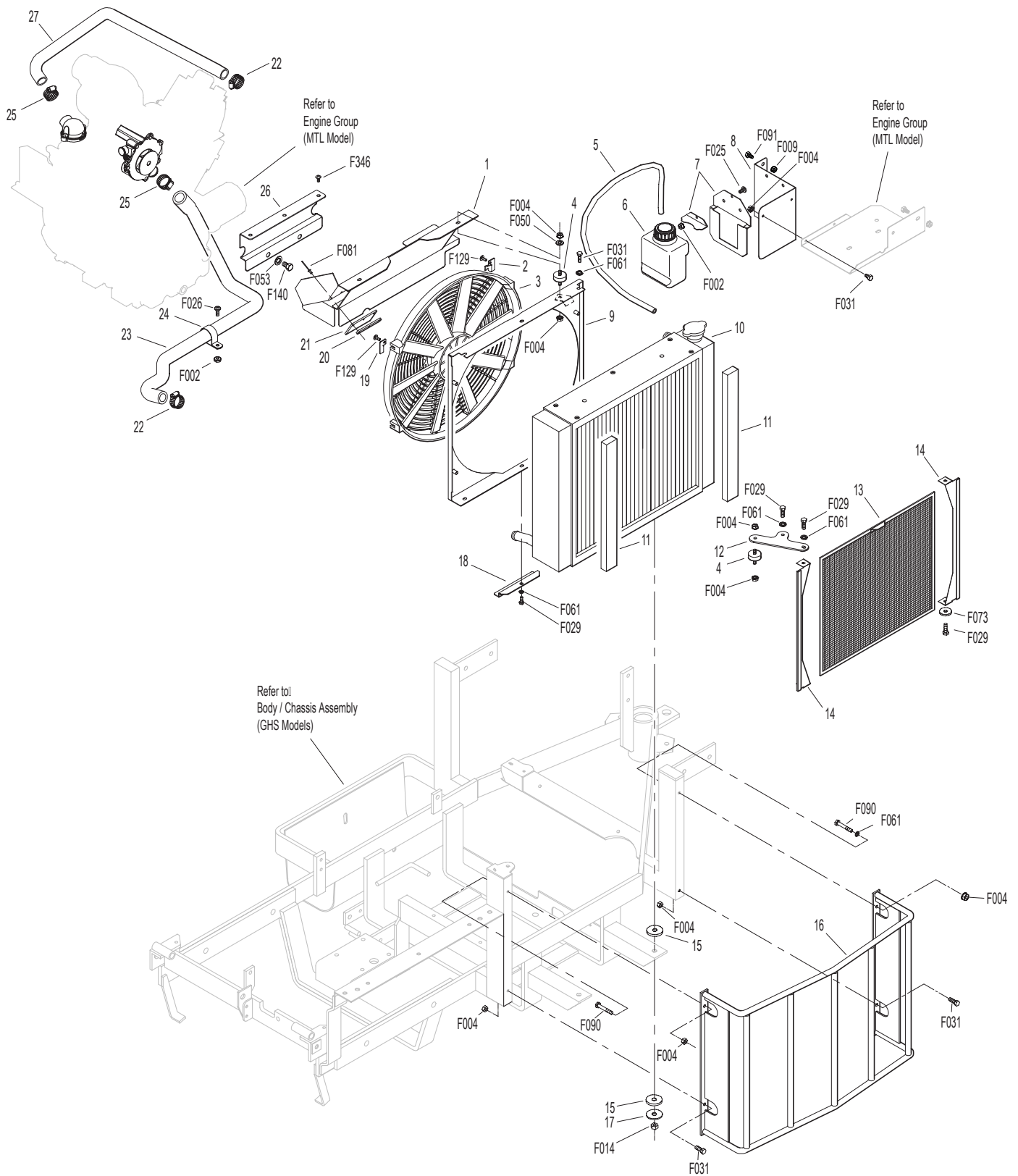
# ENGINE GROUP (MTEFI)



# RADIATOR GROUP

ITEM NO.	PART NO.	DESCRIPTION	NO. REQ'D	ITEM NO.	PART NO.	DESCRIPTION	NO. REQ'D
<b>Radiator Assembly</b>				26	8530-7	Exhaust Shield Mount, MTL	1
1	7429-8	Radiator Fan Shield (Includes Items # 21& 22)	1	27	7017-5	Upper Radiator Hose	1
2	7427-21	Fan Mount Tab, LH	1	<b>Fasteners</b>			
3	7429-6	Radiator Cooling Fan	1	F002	10-24 Keps Nut	4	
4	7432	Shock Mount (1.00 OD x .75) Radiator	1	F004	1/4-20 Keps Nut	10	
5	7015-13	Recovery Tank Hose	1	F009	5/16-18 Whiz Locknut	3	
6	7427-3	Coolant Recovery Tank	1	F014	3/8-16 ESNA Nut	2	
7	7427-4	Recovery Tank Mount (Includes Items # 8, F002 & F025)	1	F025	10-24 x 3/8 PPHMS	3	
8	7047-6	Coolant Tank Shield	1	F026	10-24 x 1/2 PPHMS	1	
9	7427-6	Radiator Fan Shroud	1	F029	1/4-20 x 1/2 Hex Bolt	4	
10	7427-30	Radiator, MTL	1	F031	1/4-20 x 5/8 Hex Bolt	8	
11	7431-1	Radiator Channel Seal (1/4 x 1/2 x 13.5)	2	F050	1/4 SAE Washer	2	
12	7435	Radiator Brace	1	F053	7/16 Int. Star Lock Washer	2	
13	7425	Radiator Screen	1	F061	1/4 Internal Star Lock Washer	7	
14	7426	Screen Channel	2	F073	1/4 x 1.5 Fender Washer	2	
15	7434	Rubber Washer (3/8 x 1-1/4 x 1/4)	4	F081	A/A45D Aluminum Pop Rivet	3	
16	7430	Radiator Guard	1	F090	1/4-20 x 2-1/2 Hex Bolt	2	
17	5841	Retainer Washer	2	F091	5/16-18 x 5/8 Hex Bolt	2	
18	7427-7	Debris Shield, Shroud	1	F129	10-24 x 1/2 PTHMS	2	
19	7427-22	Fan Mount Tab, RH	1	F140	7/16-14 x 1 Hex Bolt	2	
20	5161-10	Rubber Flap	1	F243	M6 Split Lock Washer	2	
21	8620-30	Backing Plate	1	F346	Knurled Threaded Insert	3	
22	7840-3	Hose Clamp (1/2 to 1-1/4)	2	* GHS Models Only			
23	7017-4	Lower Radiator Hose	1	<b>NOTE:</b> Decals for this assembly are not shown here. Refer to <b>Tractor Decals</b> , Page 2 for Decal listing and placement information.			
24	7833-1	Single Eyelet Clamp	1				
25	7840-4	Hose Clamp (3/4 to 1-1/2)	2				

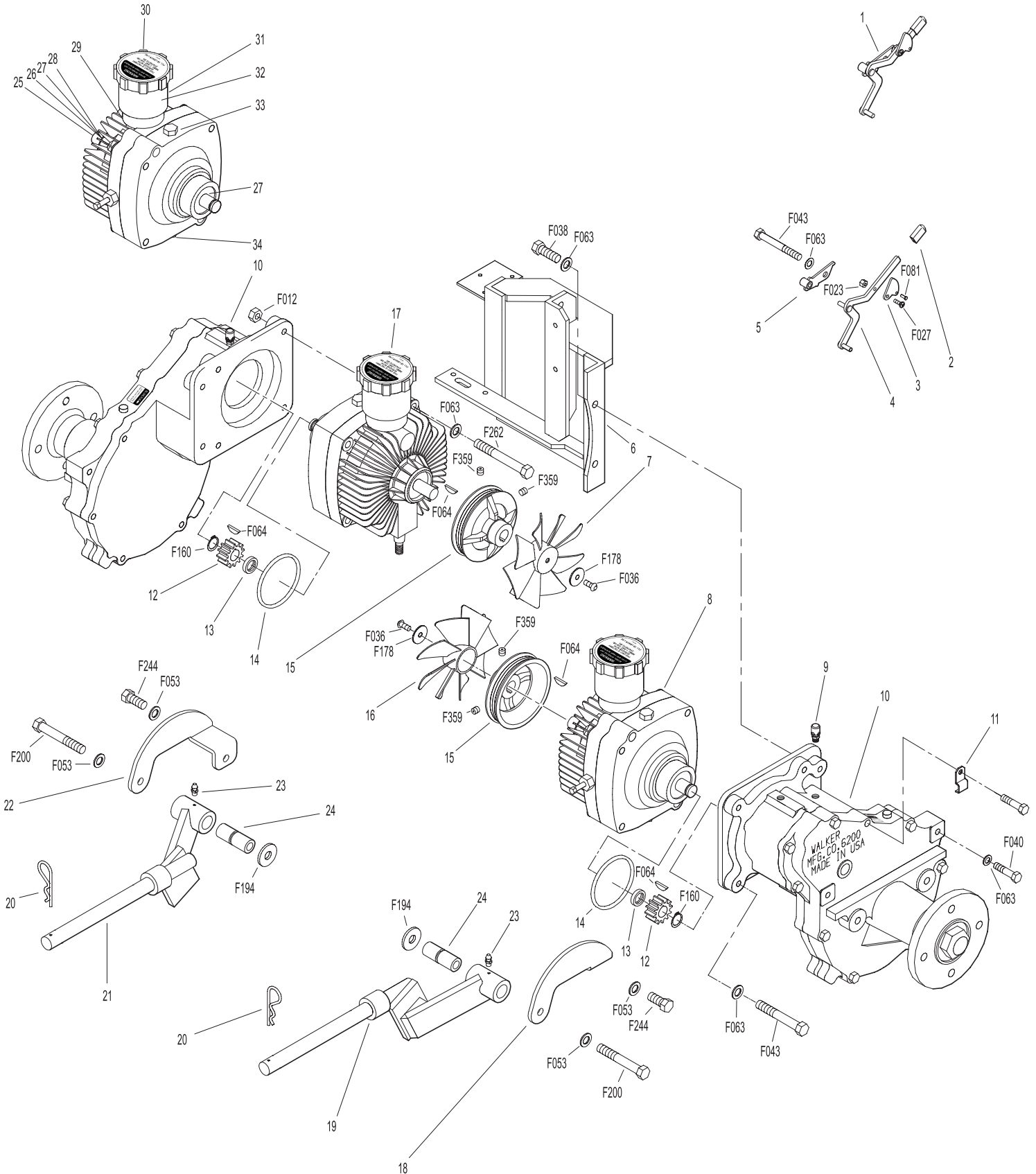
# RADIATOR GROUP



# HYDROSTATIC GROUND DRIVE ASSEMBLIES

ITEM NO.	PART NO.	DESCRIPTION	NO. REQ'D	ITEM NO.	PART NO.	DESCRIPTION	NO. REQ'D
<b>Transmission Lockout Assembly</b>				<b>Transmission Repair Parts</b>			
1	5028-3	Transmission Lockout Assembly (Includes Items # 2, 3, 4, 5, F023 & F027)	*	25	5025-5	Input Shaft	*
2	5847	Plastic Tip	2	26	5025-8	Bearing, Input Shaft	*
3	5057	Lockout Cam (Includes Item # F081)	2	27	5025-7	Snap Ring	*
4	5028-5	Lockout Lever	2	28	5025-2	Seal, Input Shaft	*
5	5027-5	Lockout Mount	2	29	5022	Reservoir to Casting Gasket	*
<b>Ground Drive Assemblies</b>				30	5024	Reservoir Cap and Gasket	*
6	6209-1	Bridge Assembly	1	31	5023	Transmission Reservoir Kit	*
7	6243-2	Hydro Fan, CCW	1	32	5023-1	Rubber Bladder	*
8	5026	Hydrostatic Drive, CW (700-041)	1	33	5025-6	O-Ring & Plug Assembly	*
9	6206-1	Pressure Relief Valve	*	34	5025-3	Seal, Control Shaft	*
10	6200-8	Gear Axle Drive Assembly (Includes Item # 9)	2	<b>Fasteners</b>			
11	5126	Cable Retainer (Uses existing bolt Gear Axle Drive Assembly)	1	F012	3/8-16 Keps Nut		1
12	6233-1	Pinion Gear	2	F023	10-24 ESNA Nut		2
13	6234	Spacer, Pinion Gear	2	F027	10-24 x 5/8 PPHMS		2
14	6201	O-Ring Seal	2	F036	1/4-20 x 1/2 SBH Screw		2
15	7244	Hydro Pulley (3-7/8)	2	F038	3/8-16 x 1 Hex Bolt		4
16	6243-1	Hydro Fan, CW	1	F040	3/8-16 x 1-1/2 Hex Bolt		4
17	5025	Hydrostatic Drive, CCW (700-042)	1	F043	3/8-16 x 3 Hex Bolt		7
<b>Deck Support Arm Assemblies</b>				F053	7/16 Internal Star Lock Washer		4
18	6430-10	Outboard Mount, LH	1	F063	3/8 Internal Star Lock Washer		16
19	6430-2	Deck Support Arm, LH (Includes Item # 23)	1	F064	1/8 x 1/2 Woodruff Key (#3)		6
20	5775-2	Hitch Pin (# 6)	2	F081	A/A45D Aluminum Pop Rivet		2
21	6430-1	Deck Support Arm, RH (Includes Item # 23)	1	F160	External Snap Ring (.669 Shaft)		2
22	6430-9	Outboard Mount, RH	1	F178	1/4 x 1 Fender Washer		2
23	5830	Grease Fitting	2	F194	7/16 x 1-1/4 x 1/8 Washer		2
24	6840-1	Support Arm Bushing (2-1/16)	2	F200	7/16-20 x 3 Grade 8 Bolt		2
				F244	7/16-20 x 3/4 Hex Bolt		2
				F262	3/8-16 x 4 Hex Bolt (Spec) All Thread		1
				F359	5/16-18 x 5/16 Set Screw (Unbrako Knurl Point)		4
				* Service Part Only			

# HYDROSTATIC GROUND DRIVE ASSEMBLIES



Effective Date 01-31-03

Use only genuine Walker® replacement parts.

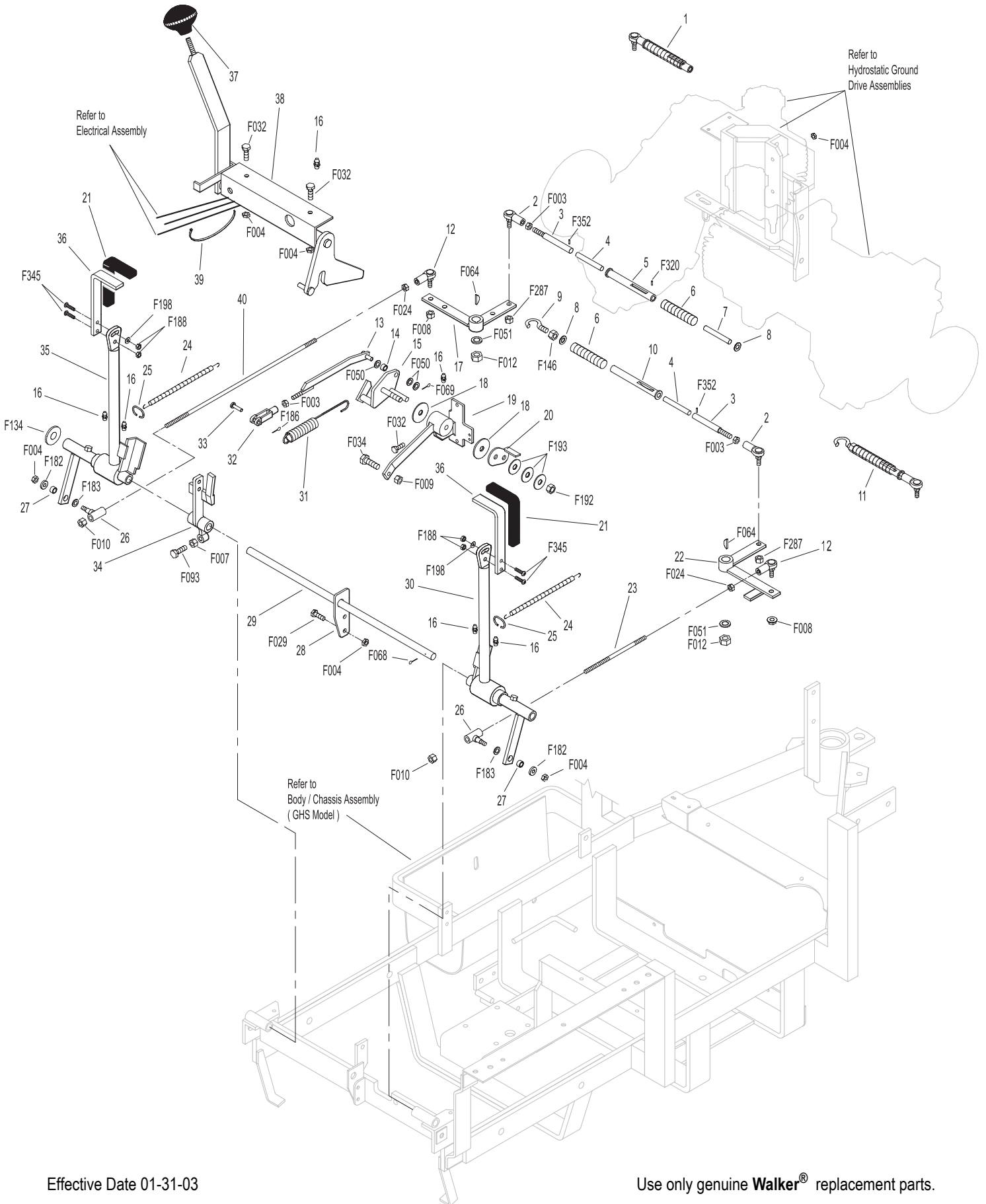
# STEERING CONTROL ASSEMBLIES

ITEM NO.	PART NO.	DESCRIPTION	NO. REQ'D	ITEM NO.	PART NO.	DESCRIPTION	NO. REQ'D
<b>Transmission Spring Assemblies</b>				35	5450-3	Steering Lever Assembly, RH / Adj. (Includes Items # 16, 21, 36, F188, F198 & F345)	1
1	6199	Transmission Spring Assembly (RH) (Includes Items # 2-8, F003, F287, F320 & F352)	*		5450-5	Steering Lever Arm, RH / Adj,	1
2	5552	Ball Joint (1/4-28)	2	36	5453-10	Steering Lever Handle, Adj. (Includes Items # 21 & F345)	2
3	5192-1	Spring Plunger	2	37	5862	FSC Knob	1
4	5194	Plunger Sleeve	2	38	7170	FSC Lever Assembly (Includes Item # 16)	1
5	6191	Spring Slide (4-3/4)	1	39	5975-3	Cable Tie (50# x 7")	1
6	5195	Compression Spring (1 x 5-1/8)	2	40	5213-1	Control Rod, RH (15")	1
7	6196	Spring Slide Cap	1	<b>Fasteners</b>			
8	5193	Washer (.750 ID x 1.00 OD x .085)	2		F003	1/4-28 Hex Nut	3
9	5197	J-Bolt	1		F004	1/4-20 Keps Nut	8
10	5191	Spring Slide (3-5/8)	1		F007	5/16-18 Jam Nut	1
11	5199	Transmission Spring Assembly (LH) (Includes Items # 2-4, 6, 8-10, F003, F146, F287 & F352)	*		F008	5/16-24 Keps Nut	2
<b>Steering Lever &amp; FSC Assemblies</b>					F009	5/16-18 Whiz Locknut	1
12	5214-2	Ball Joint (5/16-24), Nylon Lined	2		F010	5/16-24 ESNA Nut	2
13	5173	FSC Actuator Rod (Includes Items # 33 & F003)	1		F012	3/8-16 Keps Nut	2
14	5172	Bearing, Nylon (.255 ID x .379 OD x .250)	1		F024	5/16-24 Jam Nut	2
15	5142-2	FSC Actuator Cam	1		F029	1/4-20 x 1/2 Hex Bolt	2
16	5830	Grease Fitting	6		F032	1/4-20 x 3/4 Hex Bolt	4
17	6212	Transmission Control Arm, RH	1		F034	5/16-18 x 3/4 Hex Bolt	1
18	5141	FSC Friction Washer	2		F050	1/4 SAE Washer	3
19	5140-15	FSC Friction Body (Includes Item # 16)	1		F051	3/8 SAE Washer	2
20	5142-7	FSC Key	1		F064	1/8 x 1/2 Woodruff Key (#3)	2
	5140-13	FSC Control Assembly (Includes Items # 16, 18, 19, 20, F192 & F193)	*		F068	1/8 x 1 Cotter Pin	1
21	5850-2	Handle Grip, Foam (5-1/2)	2		F069	3/32 x 1/2 Cotter Pin	1
22	5212-2	Transmission Control Arm, LH	1		F093	5/16-18 x 1 Hex Bolt	1
23	5213-2	Control Rod, LH (6")	1		F134	AN960816L Washer	3
24	5223	Extension Spring (1/4 x 5-1/2)	2		F146	1/4-20 Jam Nut	1
25	5450	D-Clip	2		F182	1/4 x 5/8 x 1/8 Washer	2
26	5463	Steering Lever Actuator	2		F183	.312 x .700 x .074 Washer	2
27	5214-1	Bearing, Steering Lever Actuator	2		F186	5/64 x 1/2 Cotter Pin	1
28	5391-3	Steering Lever Support	1		F188	1/4-20 Self-Locking Nut	4
29	5217	Pivot Pin, Steering Lever	1		F192	3/8-24 Self-Locking Nut	1
30	5451-3	Steering Lever Assembly, LH / Adj. (Includes Items # 16, 21, 36, F188, F198 & F345)	1		F193	3/8 Belleville Spring Washer	3
	5451-5	Steering Lever Arm, LH / Adj.	1		F198	.250 x .625 x .040 Washer, SS	2
31	5219	FSC Extension Spring (3/4 x 6-3/4)	1		F287	1/4-28 Keps Nut	2
32	5280	Clevis (1/4)	1		F320	1/8 x 3/4 Split Spring Pin	1
33	5281-5	Clevis Pin (1/4 x 0.80)	1		F345	1/4-20 x .770 Knurled Bolt	4
34	5470-1	Speed Control Stop	1		F352	5/32 x 1 Heavy Duty Roll Pin	2
				*	Service Part Only		

Use only genuine **Walker**<sup>®</sup> replacement parts.

Effective Date 01-31-03

# STEERING CONTROL ASSEMBLIES

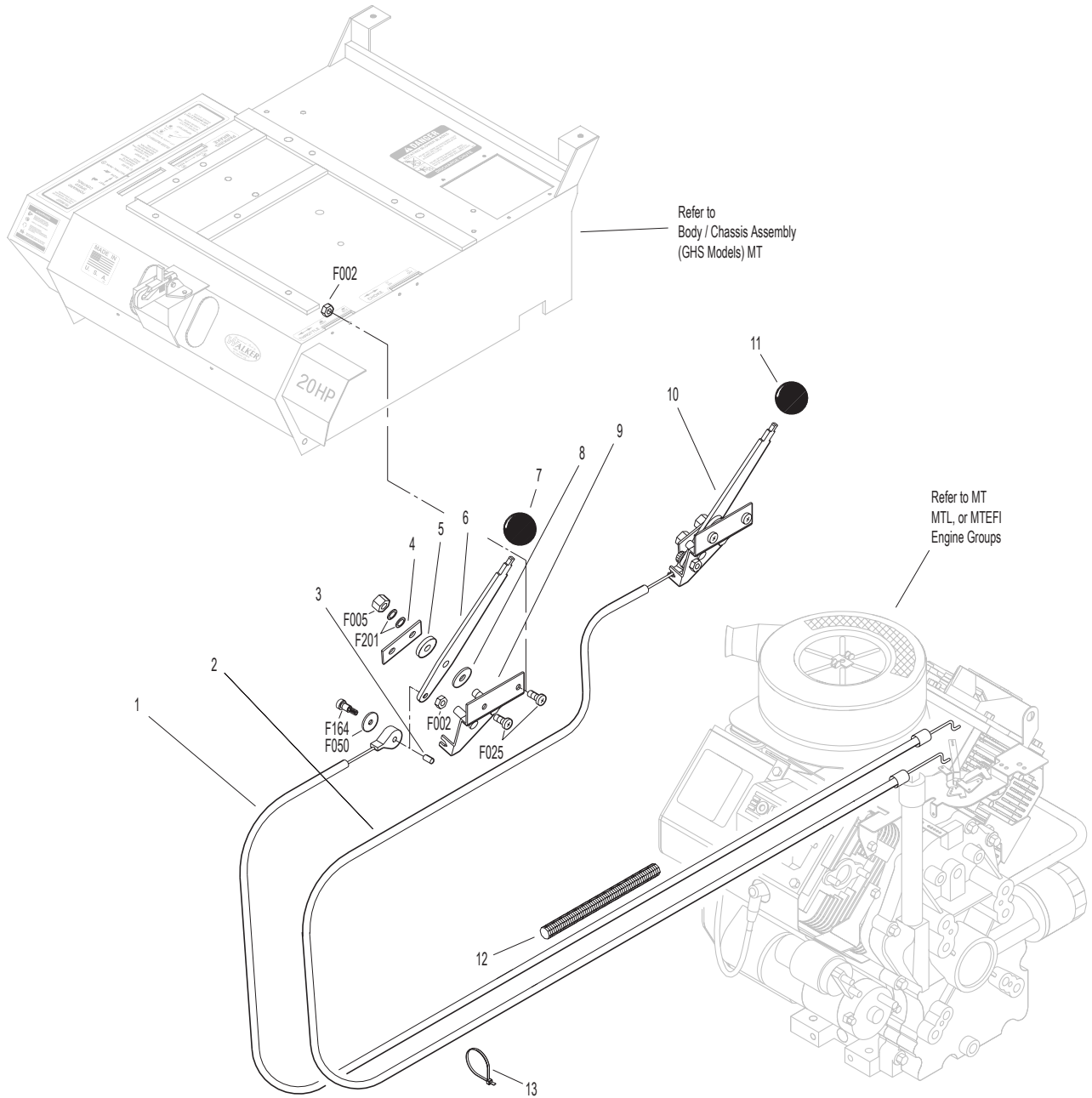


# THROTTLE & CHOKE CONTROL ASSEMBLY

ITEM NO.	PART NO.	DESCRIPTION	NO. REQ'D	ITEM NO.	PART NO.	DESCRIPTION	NO. REQ'D
<b>Throttle &amp; Choke Control Assemblies</b>				<b>Fasteners</b>			
1	8121-1	Throttle Cable	1		F002	10-24 Keps Nut	6
2	8122-1	Choke Cable	1		F005	1/4-20 ESNA Nut	2
3	5172	Nylon Bearing	2		F025	10-24 x 3/8 PPHMS	4
4	5108-7	Control Lock Tab	2		F050	1/4 SAE Washer	2
5	5108-10	Friction Washer (.125)	2		F164	10-24 x 1/4 x 3/8 SHL Bolt	2
6	5108-1	Control Lever, Throttle & Choke	2		F201	1/4 Belleville Spring Washer	4
7	5108-5	Throttle Control Knob, Red	1				
8	5108-11	Friction Washer (.062)	2	*	Service Part Only		
9	5108-8	Control Bracket	2				
10	7108	Control Assembly, Throttle and Choke	2	Δ	Model MTEFI does not use choke.		
	8121	Complete Throttle Control and Cable Assembly (Includes Item # 7)	*				
	8122	Complete Choke Control and Cable Assembly (Includes Item # 11)	*Δ				
11	5108-6	Choke Control Knob, Black	1				
12	8123	Insulation Sleeve (3/8 x 6)	1				
13	5975-1	Cable Tie (18# x 3-3/4")	1				



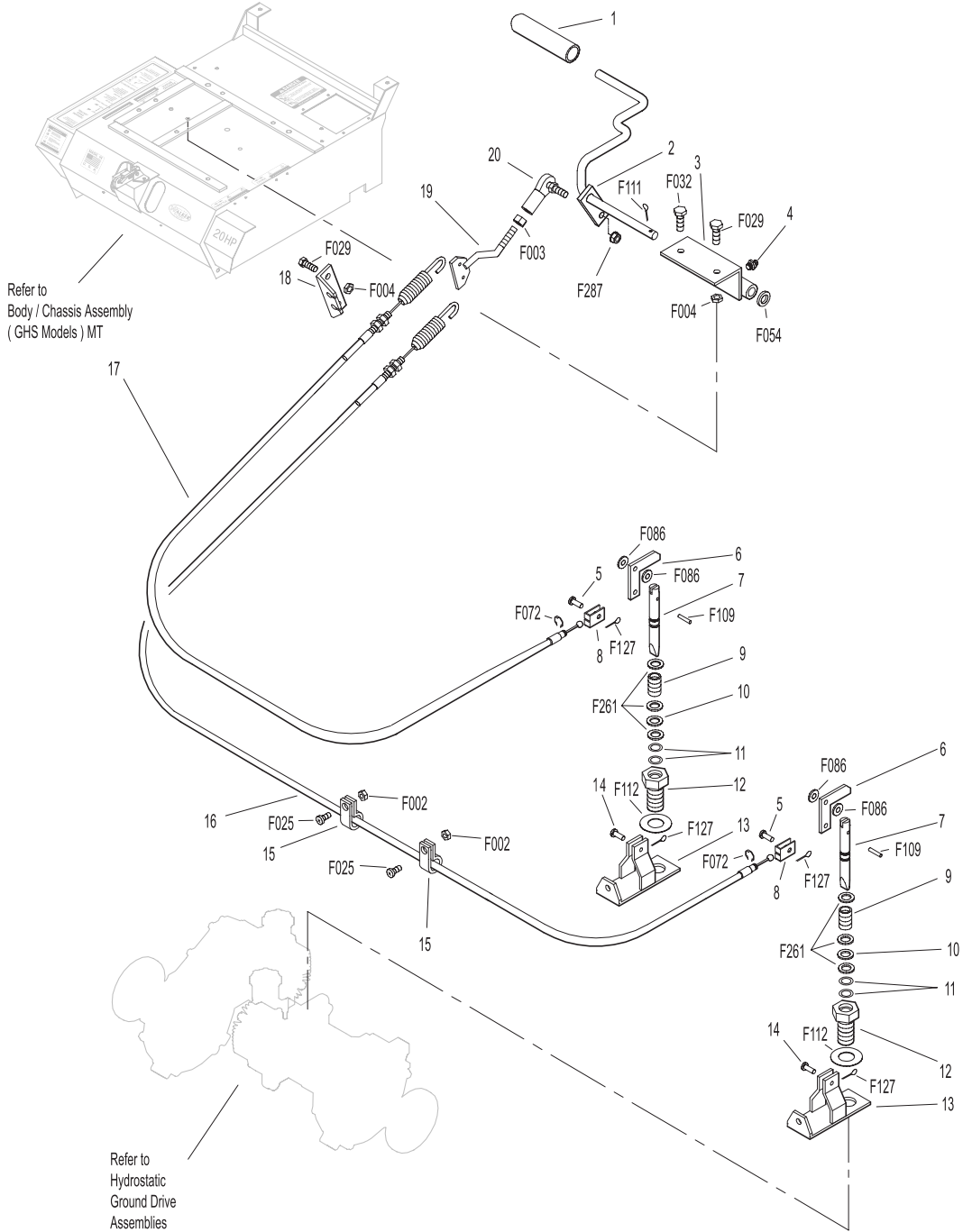
# THROTTLE & CHOKE CONTROL ASSEMBLY



# PARKING BRAKE ASSEMBLY

ITEM NO.	PART NO.	DESCRIPTION	NO. REQ'D	ITEM NO.	PART NO.	DESCRIPTION	NO. REQ'D
<b>Parking Brake Assembly</b>				<b>Fasteners</b>			
1	7406-1	Handle Grip, Red	1	F002		10-24 Keps Nut	2
2	7406-8	Parking Brake Lever	1	F003		1/4-28 Hex Nut	1
3	7406-2	Lever Mount	1	F004		1/4-20 Keps Nut	4
4	5830	Grease Fitting	1	F025		10-24 x 3/8 PPHMS	2
5	7407	Clevis Pin (3/16 x 1/2)	2	F029		1/4-20 x 1/2 Hex Bolt	3
6	7404	Brake Actuator Arm	2	F032		1/4-20 x 3/4 Hex Bolt	1
7	7405	Pin, Transmission Lock	2	F054		AN960616 Washer	1
8	7402	Clevis	2	F072		1/4 "E" Retainer Ring	2
9	7408	Compression Spring (1/2 x 3/4)	2	F086		#10 SAE Washer	4
10	7415	Rubber Dust Shield (5/8 x 3/8 x 1/32)	2	F109		1/8 x 5/8 Roll Pin	2
11	5567-3	O-Ring Seal (1/4 x 3/8)	4	F111		1/8 x 3/4 Cotter Pin	1
12	7403	Plunger Bushing, Gear Axle	2	F112		5/8 x 1-1/4 x .03 Washer	2
13	7404-1	Brake Actuator Mount	2	F127		1/16 x 1/2 Cotter Pin	4
14	7412	Clevis Pin (3/16 x 5/8)	2	F261		AN960616L Washer	6
15	5833	Cable Clamp (1/4)	2	F287		1/4-28 Keps Nut	1
16	7410	Brake Control Cable, LH (27")	1				
17	7409	Brake Control Cable, RH (21")	1				
18	7401-3	Cable Mount Bracket	1				
19	7401-1	Cable Pull Rod	1				
20	5552	Ball Joint (1/4-28)	1				

# PARKING BRAKE ASSEMBLY



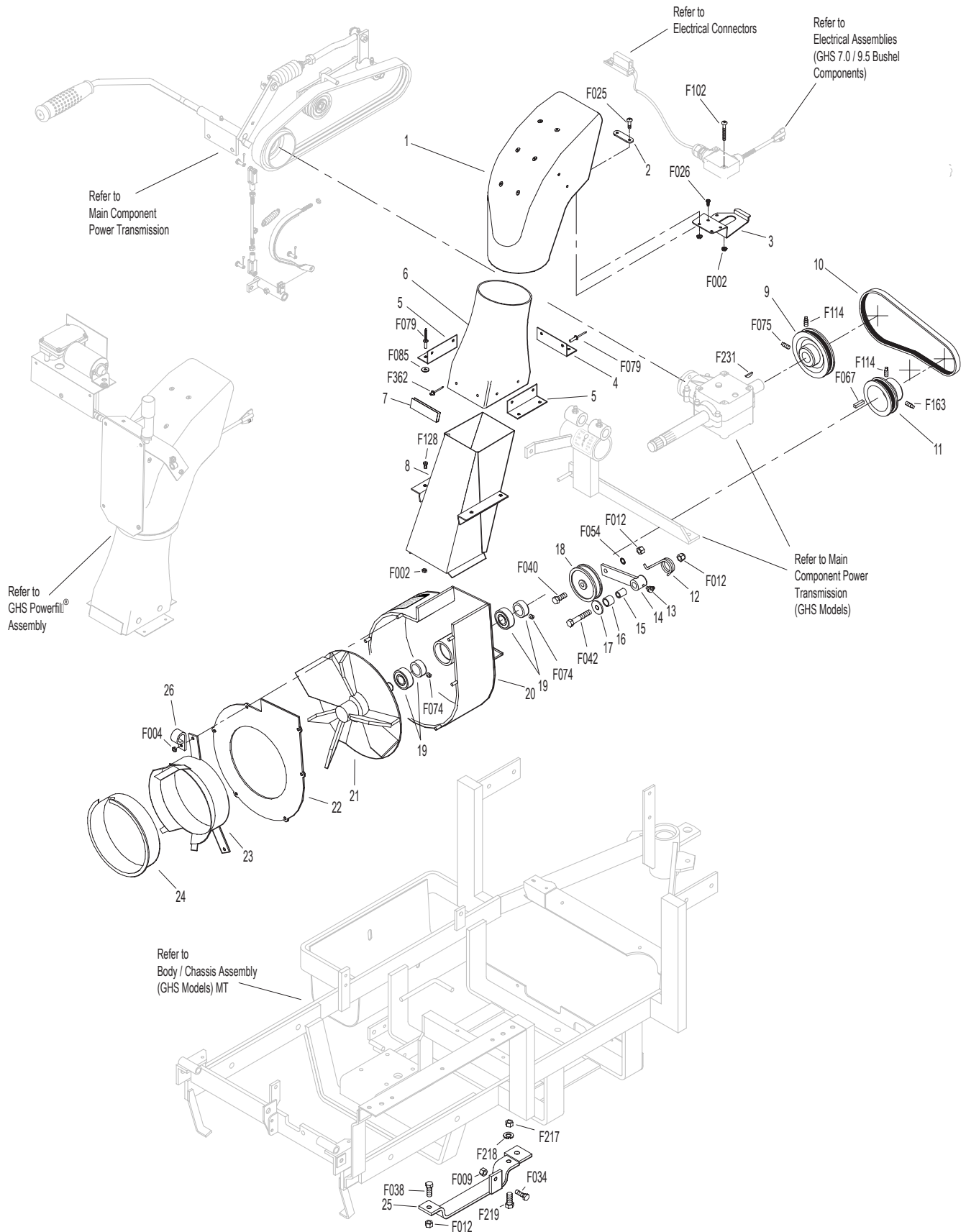
# GHS GROUP

ITEM NO.	PART NO.	DESCRIPTION	NO. REQ'D	ITEM NO.	PART NO.	DESCRIPTION	NO. REQ'D
<b>Delivery Chute Assembly</b>				<b>Fasteners</b>			
When Optional 9.5 Bushel Catcher Assembly is purchased, Item # 6 is replaced by P/N 8511-1 (Delivery Chute Assembly, 9.5).							
1	5515-2	Elbow Delivery Spout Assembly	1	F002		10-24 Keps Nut	8
2	5592-13	Backing Plate, Grass-Pak <sup>®</sup> Switch	1	F004		1/4-20 Keps Nut	6
3	5592-12	Mount Plate, Grass-Pak <sup>®</sup> Switch	1	F009		5/16-18 Whiz Locknut	1
4	5578	Rear Clip, Chute Mount	1	F012		3/8-16 Keps Nut	3
5	5577	Side Clip, Chute Mount	2	F025		10-24 x 3/8 PPHMS	2
6	7511-1	Delivery Chute Assembly, 7.0 (Includes Items # 4, 5, 7, F079 & F085)	1	F026		10-24 x 1/4 PPHMS	2
	8511-1	Delivery Chute Assembly, 9.5 (Includes Items # 4, 5, 7, F079 & F085)		F034		5/16-18 x 3/4 Hex Bolt	1
7	5578-10	Front Clip, Chute Mount	1	F038		3/8-16 x 1 Hex Bolt	1
8	7530-3	Body Chute	1	F040		3/8-16 x 1-1/2 Hex Bolt	1
<b>Blower Belt Tightener Assembly</b>							
9	7238-1	Blower Drive Pulley (Mirco-V)	1	F042		3/8-16 x 2-1/4 Hex Bolt	1
10	7234-1	Blower Belt (Micro-V)	1	F054		AN960616 Washer	1
11	7239-1	Blower Pulley (Mirco-V)	1	F067		3/16 x 3/16 x 1 Key	1
12	7364-2	Torsion Spring	1	F074		1/4-20 x 3/8 Set Screw	2
13	5830-3	Grease Fitting (45 Deg.)	1	F075		5/16-18 x 1/2 SQH Set Screw	1
14	7364-1	Blower Belt Tightener Arm	1	F079		A/A66D Aluminum Pop Rivet	6
15	7201-4	Inner Race (1-1/2)	1	F085		3/16 Rivet Backup Washer	6
16	7201-3	DU Bearing	1	F102		10-24 x 1-1/2 PTHMS	2
17	5841	Retainer Washer	1	F114		5/16-18 x 5/8 SQH Set Screw	2
18	5245	Idler Pulley, 3"	1	F128		10-24 x 3/8 PTHMS	4
<b>Blower Assembly</b>							
19	5268	Bearing (3/4) with Collar	2	F163		5/16-18 x 3/4 SQH Set Screw	1
20	6543	Housing (10" Blower)	1	F217		7/16-14 Hex Nut	1
	6542	Blower Assembly (10")	*	F218		7/16 Split Lock Washer	1
21	6545	Blower Wheel (10")	1	F219		7/16-14 x 1-1/4 Hex Bolt	1
22	6525-2	Faceplate (10" Blower)	1	F231		1/4 x 3/4 Woodruff Key (# 806)	1
23	6526	Intake Tube (6-1/2 x 2-1/2)	1	F362		A/A62D Alum. Pop Rivet (3/16D x 13/32L)	2
24	5595-2	Intake Cover	**				
25	7528	Skid Bar (10" Blower)	1				
26	7833	Cable Clamp (7/8 x 1/4)	1				

\* Service Part Only

\*\* Plugs Blower when GHS is not in use. Furnished only with Mulching Decks, SD Decks used on a GHS Tractor, Rotary Broom Attachment and Snowblower Attachment.

# GHS GROUP



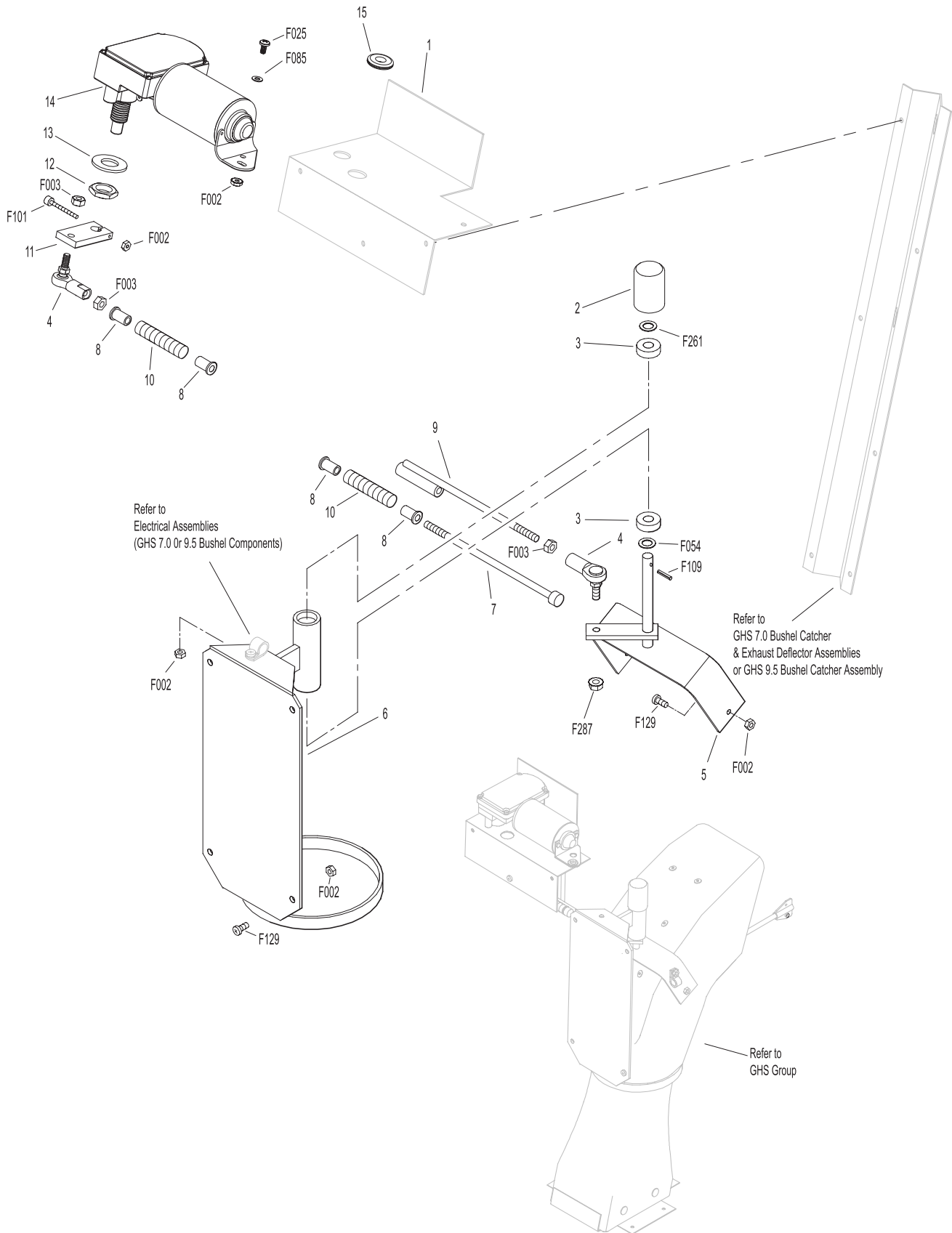
# GHS POWERFIL® ASSEMBLY

ITEM NO.	PART NO.	DESCRIPTION	NO. REQ'D	ITEM NO.	PART NO.	DESCRIPTION	NO. REQ'D
<b>GHS Powerfil® Assembly</b>				<b>Fasteners</b>			
1	5557	Motor Mount, Powerfil®	1	F002		10-24 Keps Nut	14
2	5551-3	Bearing Cap, Powerfil®	1	F003		1/4-28 Hex Nut	3
3	5551-1	Pivot Bearing (#S3PP)	2	F025		10-24 x 3/8 PPHMS	2
4	5552	Ball Joint (1/4-28)	2	F054		AN960616 Washer	1
5	5518-2	Pivot, Delivery Spout	1	F085		#10 SAE Washer	1
6	5517-2	Pivot Mount	1	F101		10-24 x 1-1/4 SHC Screw	1
7	5558-1	Powerfil® Push Rod	1	F109		1/8 x 5/8 Roll Pin	1
8	5553-3	Bushing, Powerfil® Actuator	4	F129		10-24 x 1/2 PTHMS	10
9	5558-2	Powerfil® Actuator Rod	1	F261		AN960616L Washer	1
	5549	Actuator Rod Assembly (Includes Items # 4, 7-10 & F003)	*	F287		1/4-28 Keps Nut	1
10	5553-1	Spring, Powerfil® Actuator	2	* Service Part Only			
11	5554	Actuator Arm	1				
12	5519-3	Motor Mount Nut (5/8-24 Panel Nut)	*				
13	5519-2	Motor Mount Washer	*				
14	5519	Actuator Motor (12/24V) (Includes Items # 12 & 13)	1				
15	5977	Grommet (1/2 ID x 7/8 OD x 1/16)	1				

Use only genuine **Walker®** replacement parts.

Effective Date 01-31-03

# GHS POWERFIL® ASSEMBLY



# GHS 7.0 BUSHEL CATCHER & EXHAUST DEFLECTOR ASSEMBLIES

ITEM NO.	PART NO.	DESCRIPTION	NO. REQ'D	ITEM NO.	PART NO.	DESCRIPTION	NO. REQ'D
<b>Upper Baffle Screen Assembly (Removable)</b>				33	5155-15	Box Support, Gas Spring	2
1	7509-3	Channel Bottom	2	34	7557-10	7.0 Wire Harness Channel	1
2	7505	Mustache Spring	2	35	5976	Grommet (3/8 ID x 11/16 OD)	1
3	7507	Screen Seal, 7.0 / 9.5 (27-1/2)	1	36	5976-2	Grommet (3/16 ID x 3/4 OD)	1
4	7856-1	Edge Molding, 7.0 / 9.5 (26")	1	37	5522-2	Hinge Backup Plate, RH	1
5	7509-2	Channel Top	2	38	7508	7.0 / 9.5 Safety Latch Hinge	1
6	7512-2	Removable Screen, 7.0 / 9.5	1	39	7584	Reinforcing Strap, Catcher Top	2
	7512-3	Removable Screen, 7.0 / 9.5 (Optional - Larger holes - 3/4")		40	7514-1	Backup Plate, Catcher Door	1
7	7506	Knob	2	<b>5598 Optional Dump Bag (Not Shown)</b>			
8	7509-4	C-Channel, 7.0 / 9.5	1	May be ordered as an option. Contact your Walker dealer. Not used with Power Dump Option.			
<b>Exhaust Deflector Assembly</b>				<b>Fasteners</b>			
9	7504-3	Hinge, Exhaust Deflector	1	F002	10-24 Keps Nut		27
10	7504-1	Exhaust Deflector (Two Piece Set)	1	F004	1/4-20 Keps Nut		16
	7504	Exhaust Deflector Kit, 7.0 / 9.5	*	F009	5/16-18 Whiz Locknut		2
11	7504-8	Deflector Mount Doubler	2	F020	5/16-18 ESNA Nut		2
<b>GHS 7.0 Bushel Catcher Assembly</b>				F025	10-24 x 3/8 PPHMS		4
12	5583	Handle	1	F026	10-24 x 1/2 PPHMS		8
13	5588	Rubber Bumper (.75 OD x .50)	2	F027	10-24 x 5/8 PPHMS		4
14	7522	Side Strap, Door (7.0)	2	F035	5/16-18 x 1-1/4 Hex Bolt		1
15	7610	Catcher Dump Plate	1	F037	10-24 x 5/8 PTH Screw		2
16	7610-1	Dump Plate Slide	2	F049	5/16 SAE Washer		4
17	7513-2	Mounting Frame Doubler, 7.0	1	F061	1/4 Internal Star Lock Washer		2
18	5281-5	Clevis Pin (0.25 x 0.80)	2	F069	3/32 x 1/2 Cotter Pin		2
19	7503	Mounting Frame, Catcher (7.0)	1	F079	A/A66D Aluminum Pop Rivet		18
20	5522-1	Hinge Backup Plate, LH	1	F085	3/16 Rivet Backup Washer		15
21	7503-9	Pivot Bushing	2	F129	10-24 x 1/2 PTHMS		14
22	7510-1	7.0 Bushel Catcher, Including Door	1	F137	3/8-16 x 1/2 x 2 SHL Bolt		2
	7502-1	7.0 Catcher Assembly, Without Powerfil® (Includes Door)	*	F172	1/4-20x3/4 Carriage Bolt		4
	7502-2	7.0 Catcher Assembly (With Powerfil®)	*	F188	1/4-20 Self Locking Nut		18
23	7514-10	7.0 Door Frame, Catcher	1	F195	1/4-20 x 3/4 PPHMS SS		8
24	5155-12	5/16 Ball Stud	2	F196	1/4-20 x 1 PPHMS SS		3
25	5147	Spring Clip, Gas Spring	4	F198	.625 x .250 x .040 Washer, SS		5
26	5155-2	Gas Spring Cover	2	F228	# 6 x 1/2 PPHSM Set Screw		2
27	5155	Catcher Door Gas Spring Assembly (Includes Items # 24, 25 & 29)	2	F230	1/4-20 x 1-1/4 PPHMS SS		1
28	5524-1	Flanged Hinge Bearing	2	F242	1/4-20 x 7/8 PPHMS SS		11
29	5155-13	3/4 Ball Stud	2	F252	10-24 x 3/4 PPHMS		1
30	5523-6	Gas Spring Plate	2	F255	5/16-18 x 1-1/2 Hex Bolt		1
31	7532	Handle, Catcher Lift	2	F329	.260 ID x 1.939 OD Washer		2
	7534	Catcher Handle Kit (Includes Items # 31, 32, F004 & F172)	*	F330	3/16 D x 21/32 Rivet, SS		2
32	7533	Backing Plate, Handle	2	F340	Rivet, Aluminum		4
				F351	Aluminum Pop Rivet		6
				* Service Part Only			

Use only genuine **Walker®** replacement parts.

Effective Date 01-31-03





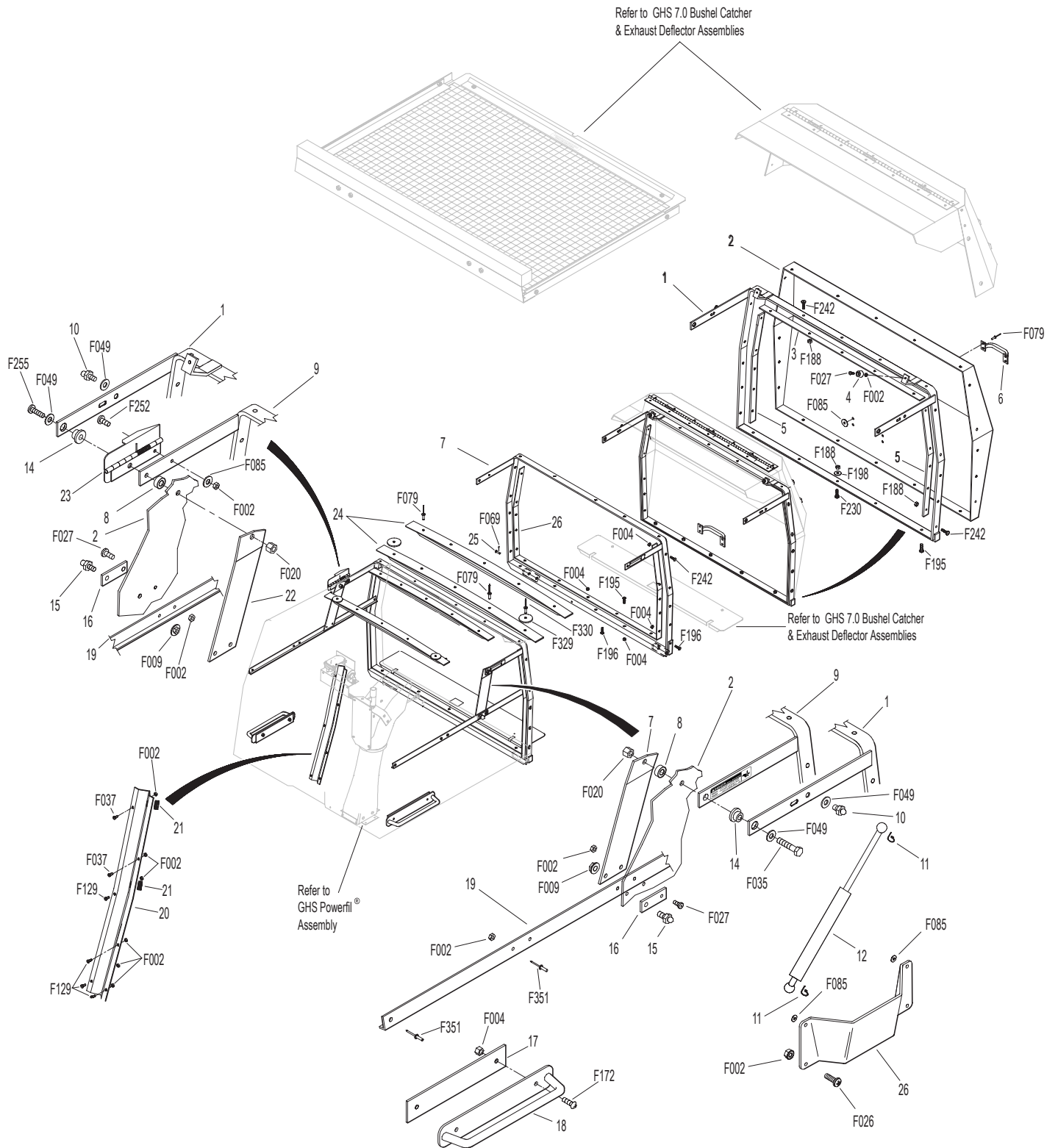
# GHS 9.5 BUSHEL CATCHER ASSEMBLY

ITEM NO.	PART NO.	DESCRIPTION	NO. REQ'D	ITEM NO.	PART NO.	DESCRIPTION	NO. REQ'D
<b>GHS 9.5 Bushel Catcher Assembly</b>				<b>Fasteners</b>			
May be ordered as a factory-installed option. Contact your Walker dealer.							
1	8514-11	9.5 Door Frame, Catcher	1	F002		10-24 Keps Nut	21
2	8510-1	9.5 Bushel Catcher, Including Door	1	F004		1/4-20 Keps Nut	22
	8502-1	9.5 Catcher Assembly, Without Powerfil® (Includes Door)	*	F009		5/16-18 Whiz Locknut	2
	8502-2	9.5 Catcher Assembly (Includes Powerfil®)	*	F020		5/16-18 ESNA Nut	2
3	7514-1	Backup Plate, Catcher Door	1	F026		10-24 x 1/2 PPHMS	8
4	5588	Rubber Bumper (.75 OD x .50)	2	F027		10-24 x 5/8 PPHMS	4
5	8516	Side Strap, Door / 9.5	2	F035		5/16-18 x 1-1/4 Hex Bolt	1
6	5583	Handle	1	F037		10-24 x 5/8 PTH Screw	2
7	5522-1	Hinge Backup Plate, LH	1	F049		5/16 SAE Washer	4
8	7503-9	Pivot Bushing	2	F069		3/32 x 1/2 Cotter Pin	2
9	8503	Mounting Frame, Catcher (9.5)	1	F079		A/A66D Aluminum Pop Rivet	18
10	5155-12	5/16 Ball Stud	2	F085		3/16 Rivet Backup Washer	15
11	5147	Spring Clip, Gas Spring	4	F129		10-24 x 1/2 PTHMS	4
12	5155	Catcher Door Gas Spring Assembly (Includes Items # 10, 11, & 15)	2	F172		1/4-20 x 3/4 Carriage Bolt	4
13	5155-2	Gas Spring Cover	2	F188		1/4-20 Self Locking Nut	20
14	5524-1	Flanged Hinge Bearing	2	F195		1/4-20 x 3/4 PPHMS SS	8
15	5155-13	3/4 Ball Stud	2	F196		1/4-20 x 1 PPHMS SS	3
16	5523-6	Gas Spring Plate	2	F198		.625 x .250 x .040 Washer, SS	5
17	7533	Backing Plate, Handle	2	F230		1/4-20 x 1-1/4 PPHMS SS	1
18	7532	Handle, Catcher Lift	2	F242		1/4-20 x 7/8 PPHMS SS	15
19	5155-15	Box Support, Gas Spring	2	F252		10-24 x 3/4 PPHMS	1
20	8117	9.5 Wire Harness Channel	1	F255		5/16-18 x 1-1/2 Hex Bolt	1
21	5976	Grommet (3/8 ID x 11/16 OD)	2	F329		.260 ID x 1.939 OD Washer	2
22	5522-2	Hinge Backup Plate, RH	1	F330		3/16 D x 21/32 L Rivet, SS	2
23	7508	7.0 / 9.5 Safety Latch Hinge	1	F351		Aluminum Pop Rivet	6
24	7584	Reinforcing Strap, Catcher Top	2				
25	5281-5	Clevis Pin (1/4 x .080)	2				
26	8513-3	9.5 Mounting Frame Doubler	1				

\* Service Part Only

**NOTE:** Refer to **ELECTRICAL CONNECTORS**, Page 60 for identification of all Electrical Wiring Service Parts.

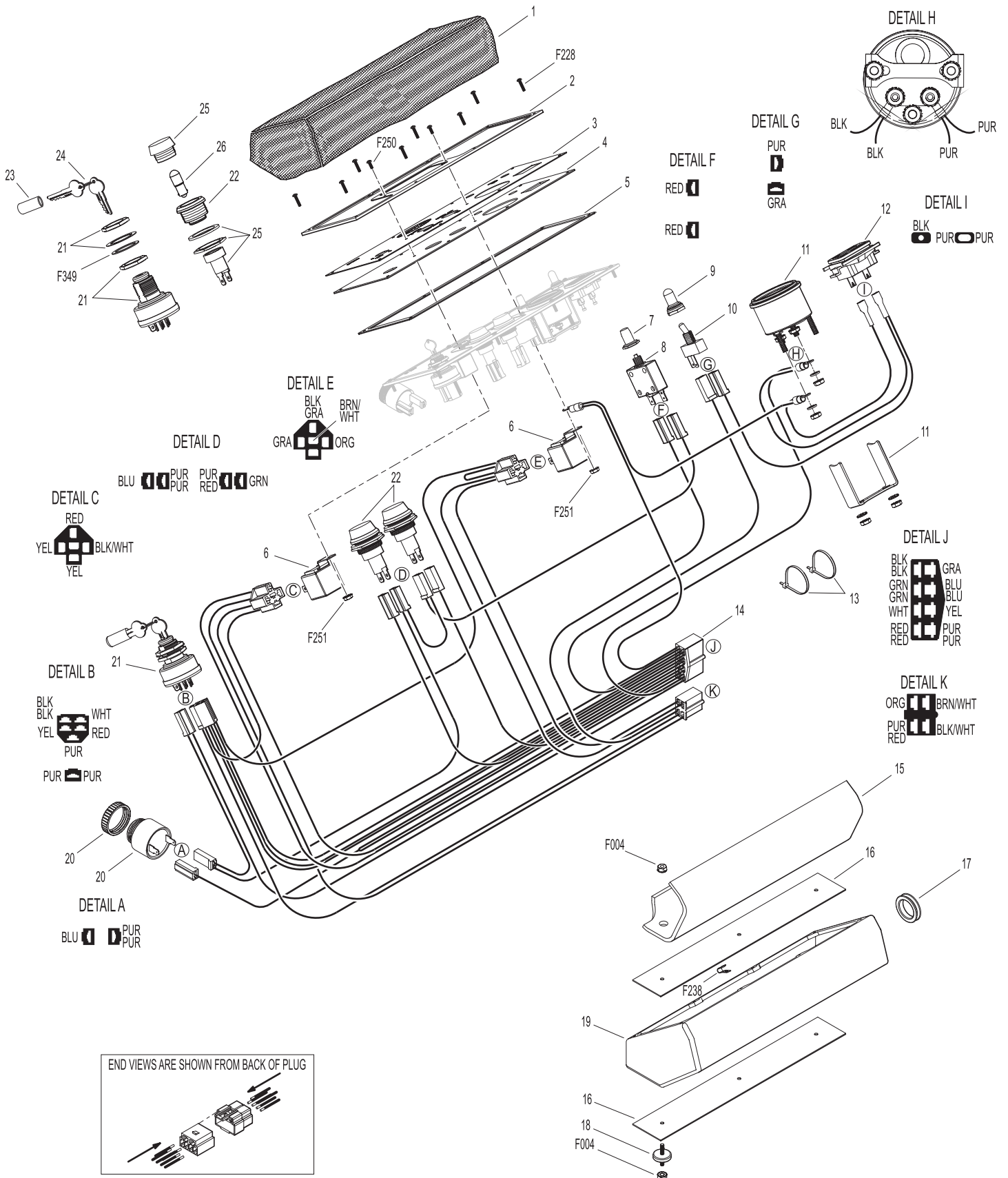
# GHS 9.5 BUSHEL CATCHER ASSEMBLY



## INSTRUMENT PANEL ASSEMBLY (MT)

ITEM NO.	PART NO.	DESCRIPTION	NO. REQ'D	ITEM NO.	PART NO.	DESCRIPTION	NO. REQ'D
<b>Instrument Panel Assembly</b>				20	8536	Warning Horn	1
1	7307-2	Instrument Panel Cover (Optional)	**	21	8960-15	Ignition Switch (with Keys) (Includes Item # 25)	1
	8306-4	Instrument Panel Assembly (Includes Items # 2-5, 9, 11, 16, 21, 22, 24-26, F062, F250 & F251)	1	22	8996-2	Red Indicator Light Assembly (Includes Item # 27)	2
2	7307	Panel Frame	1	23	7854	Plastic Tip, Red	1
3	8823-2	Decal, Instrument Panel	1	24	8960-2	Ignition Key (1 Set)	*
4	8820-13	Panel Faceplate	1	25	8996-4	Red Indicator Lens	2
5	7386	Panel Gasket	1	26	8996-3	Indicator Bulb (Replacement for P/N 8996-2)	*
6	6941	Relay Switch (30/40 Amp)	2	<b>Fasteners</b>			
7	7941-3	Boot, Circuit Breaker	1		F004	1/4-20 Keps Nut	6
8	7941-1	Circuit Breaker (5 Amp)	1		F228	#6 x 5/8 PPHSMS, SS	8
9	5995-2	Switch Boot (Fits P/N 5995)	1		F238	J Clip, Instrument Panel C15520-6A	8
10	5995	Toggle Switch (Off-On)	1		F250	6-32 x 3/8 PPHMS	2
11	8997	Voltmeter Gauge	1		F251	6-32 Keps Nut	2
12	8990-1	Hourmeter (SenDec)	1		F349	Washer .835 ID 1.122 OD, SS	1
13	5975-1	Cable Tie (18# x 3-3/4")	2	* Service Part Only			
14	8945-3	Wire Harness, Instrument Panel	1	** May be ordered as an option. Contact your Walker dealer.			
15	7307-16	Lining 1/8, Panel Box	1	<b>NOTE:</b> Refer to <b>ELECTRICAL CONNECTORS</b> , Page 60 for identification of all Electrical Wiring Service Parts.			
16	7391	Panel Box Mount Plate	2				
17	7977-1	Grommet 1/8 x 1-1/16	1				
18	7307-1	Shock Mount (1.0 OD x .25)	3				
19	8385	Panel Box	1				

# INSTRUMENT PANEL ASSEMBLY (MT)



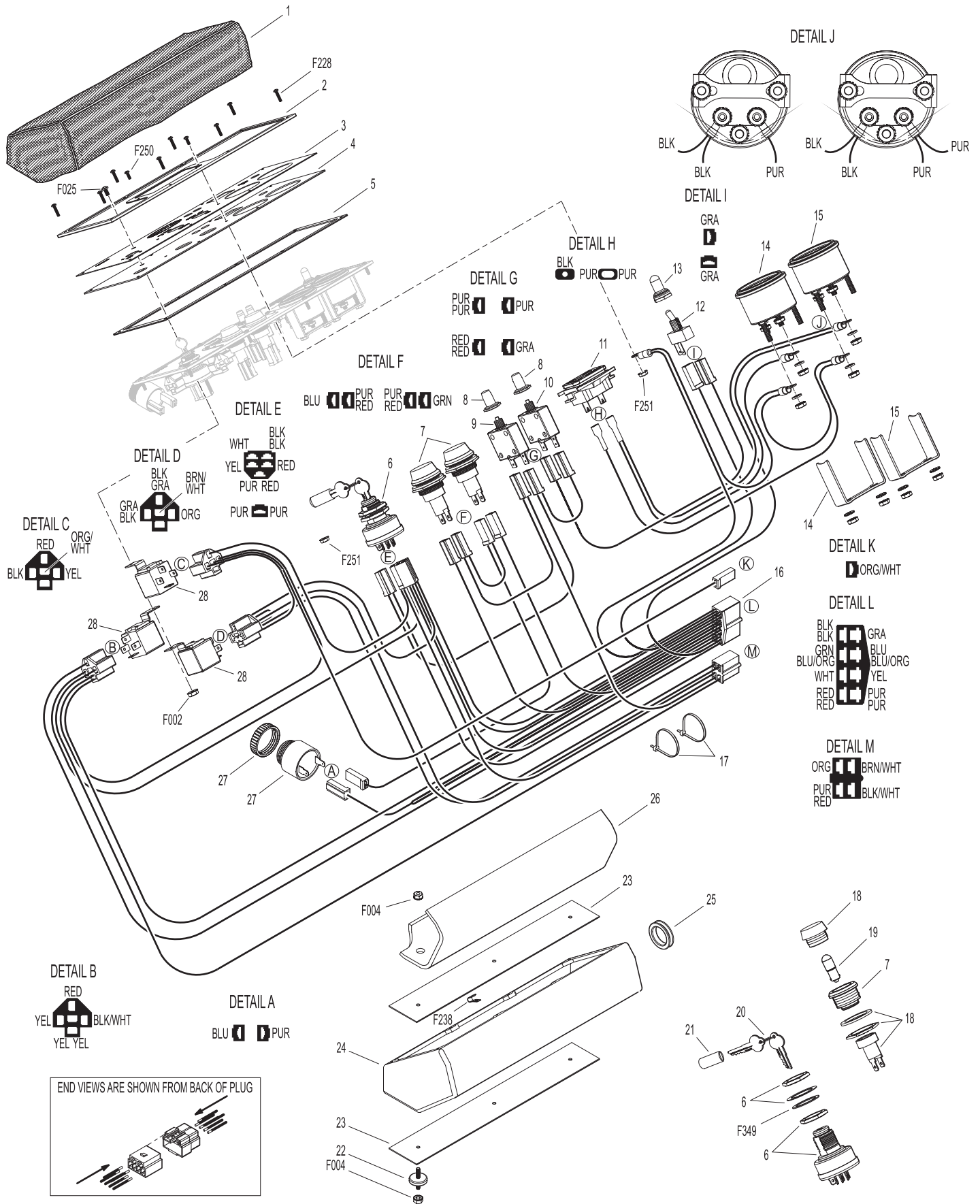
Effective Date 01-31-03

Use only genuine Walker® replacement parts.

# INSTRUMENT PANEL ASSEMBLY (MTL)

ITEM NO.	PART NO.	DESCRIPTION	NO. REQ'D	ITEM NO.	PART NO.	DESCRIPTION	NO. REQ'D
<b>Instrument Panel Assembly</b>				20	8960-2	Ignition Key (1 Set)	*
1	7307-2	Instrument Panel Cover (Optional)	**	21	7854	Plastic Tip, Red	1
	8306-6	Instrument Panel Assembly MTL (Includes Items # 2-5, 7, 11-12, 14 17-20, 26, F228, F250 & F251)	1	22	7307-1	Shock Mount (1.0 OD x .25)	3
2	7307	Panel Frame	1	23	7391	Panel Box Mount Plate	2
3	8823-4	Decal, Instrument Panel, MTL	1	24	8385	Panel Box	1
4	8820-2	Panel Faceplate, MTL	1	25	7977-1	Grommet 1/8 x 1-1/16	1
5	7386	Panel Gasket	1	26	7307-16	Lining 1/8, Panel Box	1
6	8960-15	Ignition Switch (with Keys) (Includes Item # 20)	1	27	8536	Warning Horn	1
7	8996-2	Red Indicator Light Assembly (Includes Items # 19 & 20)	2	28	6941	Relay Switch (30/40 Amp)	1
8	7941-3	Boot, Circuit Breaker	2	<b>Fasteners</b>			
9	7941-1	Circuit Breaker (5 Amp)	1	F002	10-24 Keps Nut		1
10	7941-2	Circuit Breaker (10 Amp)	1	F004	1/4-20 Keps Nut		6
11	8990-1	Hourmeter (SenDec)	1	F025	10-24 x 3/8 PPHMS		1
12	5995	Toggle Switch (Off-On)	1	F228	#6 x 5/8 PPH SMS, SS		8
13	5995-2	Switch Boot (Fits P/N 5995)	1	F238	J Clip, Instrument Panel C15520-6A		8
14	7306-3	Water Temperature Gauge	1	F250	6-32 x 3/8 PPHMS		2
15	8997	Voltmeter Gauge	1	F251	6-32 Keps Nut		2
16	8945-4	Wire Harness, Instrument Panel	1	F349	Washer .835 ID, 1.122 OD, SS		1
17	5975-1	Cable Tie (18# x 3-3/4")	2	* Service Part Only			
18	8996-4	Red Indicator Lens	2	** May be ordered as an option. Contact your Walker dealer.			
19	8996-3	Indicator Bulb (Replacement for P/N 8996-2)	*	<b>NOTE:</b> Refer to <b>ELECTRICAL CONNECTORS</b> , Page 60 for identification of all Electrical Wiring Service Parts.			

# INSTRUMENT PANEL ASSEMBLY (MTL)



Effective Date 01-31-03

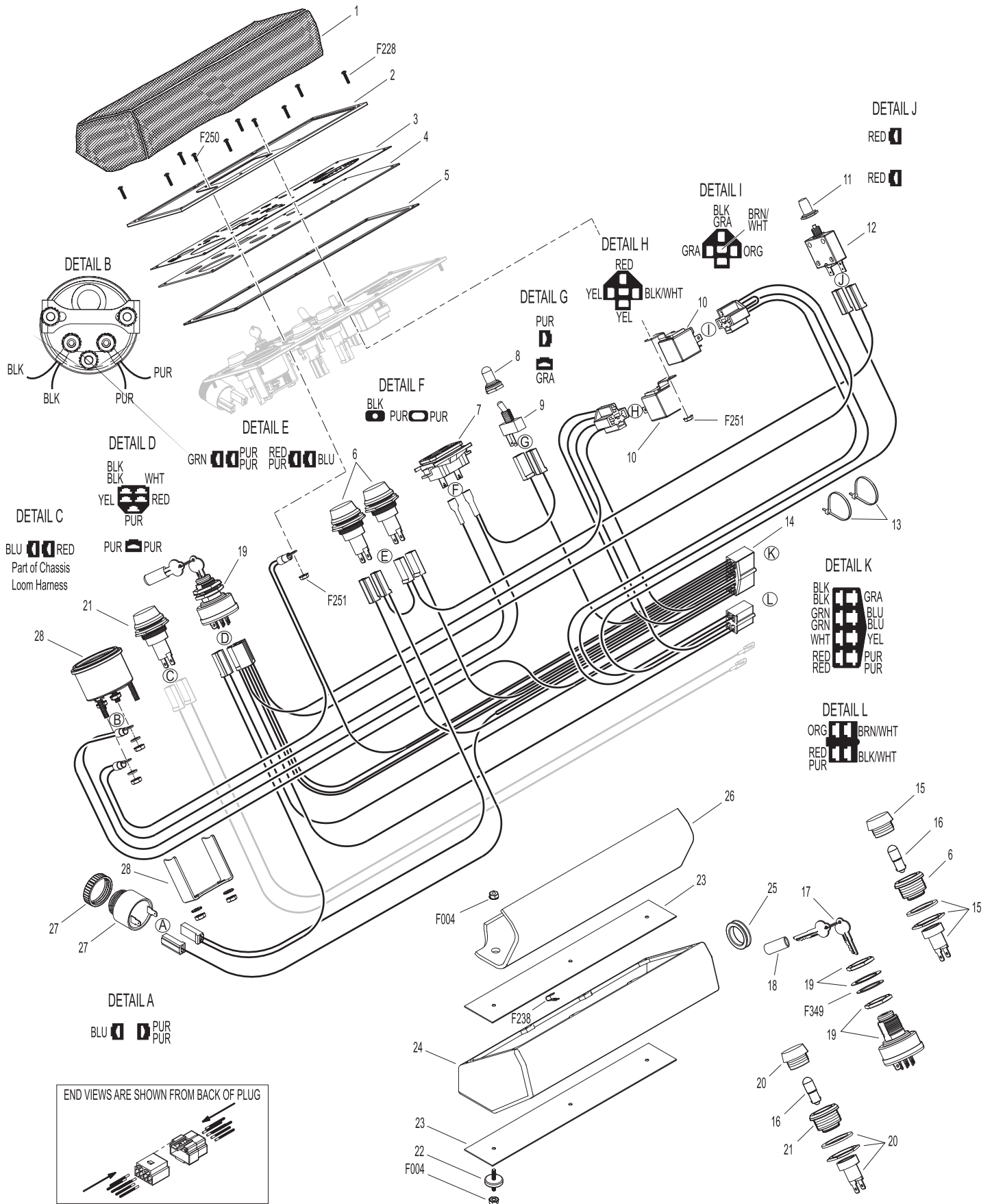
Use only genuine Walker® replacement parts.

# INSTRUMENT PANEL ASSEMBLY (MTEFI)

ITEM NO.	PART NO.	DESCRIPTION	NO. REQ'D	ITEM NO.	PART NO.	DESCRIPTION	NO. REQ'D
<b>Instrument Panel Assembly</b>				20	8996-6	Amber Indicator Lens	1
1	7307-2	Instrument Panel Cover (Optional)	**	21	8996-10	Amber Indicator Light Assembly (Includes Items # 16 & 20)	1
	8306-5	Instrument Panel Assembly EFI (Includes Items # 2-6, 8, 9, 15-21, 27-29, F228, F250 & F251)	1	22	7307-1	Shock Mount (1.0 OD x .25)	3
2	7307	Panel Frame	1	23	7391	Panel Box Mount Plate	2
3	8823-3	Decal, Instrument Panel, EFI	1	24	8385	Panel Box	1
4	8820-16	Panel Faceplate, EFI	1	25	7977-1	Grommet 1/8 x 7/8	1
5	7386	Panel Gasket	1	26	7307-16	Lining 1/8, Panel Box	1
6	8996-2	Red Indicator Light Assembly	2	27	8536-10	Warning Horn	1
7	8990-1	Hourmeter (SenDec)	1	28	8997	Voltmeter Gauge	1
8	5995-2	Switch Boot (Fits P/N 5995)	1	<b>Fasteners</b>			
9	5995	Toggle Switch (Off-On)	1		F004	1/4-20 Keps Nut	6
10	6941	Relay Switch (30/40 Amp)	2		F228	#6 x 5/8 PPH SMS, SS	8
11	7941-3	Boot, Circuit Breaker	1		F238	J Clip, Instrument Panel C15520-6A	8
12	7941-1	Circuit Breaker (5 Amp)	1		F250	6-32 x 3/8 PPHMS	2
13	5975-1	Cable Tie (18# x 3-3/4")	2		F251	6-32 Keps Nut	2
14	8945-3	Wire Harness, Instrument Panel	1		F349	Washer .835 ID, 1.122 OD, SS	1
15	8996-4	Red Indicator Lens	2	* Service Part Only			
16	8996-3	Indicator Bulb (Replacement for P/N 8996-2)	*	** May be ordered as an option. Contact your Walker dealer.			
17	8960-2	Ignition Key (1 Set)	*	<b>NOTE:</b> Refer to <b>ELECTRICAL CONNECTORS</b> , Page 60 for identification of all Electrical Wiring Service Parts.			
18	7854	Plastic Tip, Red	1				
19	8960-15	Ignition Switch (with Keys) (Includes Item # 17)	1				



# INSTRUMENT PANEL ASSEMBLY (MTEFI)



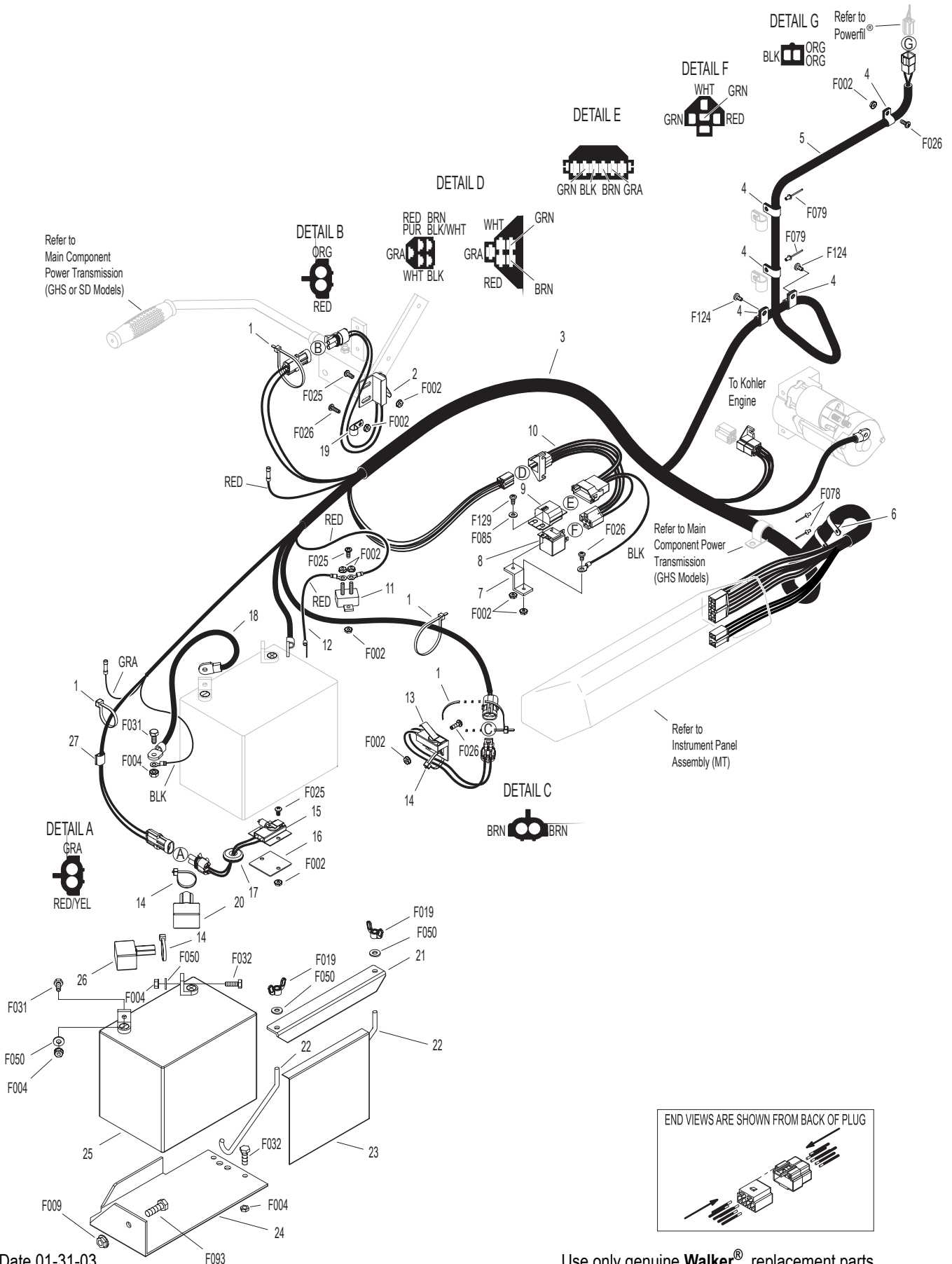
Effective Date 01-31-03

Use only genuine Walker® replacement parts.

# ELECTRICAL ASSEMBLY (MT)

ITEM NO.	PART NO.	DESCRIPTION	NO. REQ'D	ITEM NO.	PART NO.	DESCRIPTION	NO. REQ'D
<b>Harness Assembly</b>				23	6392	Battery Protector Plate	1
1	5975-3	Cable Tie (50# x 7") (GHS Models Use Only 3)	4	24	7390-1	Battery Pan	1
2	5942-4	PTO Safety Switch (Normal Open)	1	25	5910	Battery (12V U1-SP30, Dry)	1
3	8940-3	Wire Harness	1	26	5932	Battery Terminal Insul., Black (-)	1
4	5832	Cable Clamp (1/2)	5	27	5975-5	Wire Clip, Self-Mount	1
5	7944	7.0 Wire Harness	1*	<b>Fasteners</b>			
	8950	9.5 Wire Harness	1*	F002	10-24 Keps Nut		15
6	7833-2	Cable Clamp (1 x 1/4)	2	F004	1/4-20 Keps Nut		4
7	7672	"Z" Bracket	1	F009	5/16-18 Whiz Locknut		1
8	6941	Relay Switch (30/40 Amp)	1	F019	1/4-20 ESNA Wing Nut		2
9	7948-1	Time Delay Module	1	F025	10-24 x 3/8 PPHMS		6
10	7948-5	Time Delay Harness	1	F026	10-24 x 1/2 PPHMS		4
11	8941	Circuit Breaker (30 Amp) with Reset	1	F031	1/4-20 x 5/8 Hex Bolt		2
12	8943	Positive Battery Lead Wire (Red)	1	F032	1/4-20 x 3/4 Hex Bolt		2
13	5942-5	Safety Switch (Normal Open)	1	F050	1/4 SAE Washer		5
14	5975-1	Cable Tie (18# x 3-3/4")	3	F078	A/A64D Aluminum Pop Rivet		2
15	5941-5	Safety Switch (Normal Open)	1	F079	A/A66D Aluminum Pop Rivet		2
16	7203-6	Riser Plate, Seat Switch	1	F085	3/16 Rivet Backup Washer		1
17	5977-6	Grommet (1 x 1-1/4)	1	F093	5/16-18 x 1 Hex Bolt		1
18	5833	Clamp (1/4)	1	F124	10-32 x 3/8 Taptite Machine Screw		2
				F129	10-24 x 1/2 PTHMS		1
<b>Battery Assembly</b>				* Used on GHS Models with 7.0 Bushel Catcher only. When Optional GHS 9.5 Bushel Catcher is purchased, this part is replaced by P/N 8950 (9.5 Catcher Wire Harness).			
19	6923	Negative Battery Cable	1	<b>NOTE:</b> Refer to <b>ELECTRICAL CONNECTORS</b> , Page 60 for identifi- cation of all Electrical Wiring Service Parts.			
20	5933	Battery Terminal Insul., Red (+)	1				
21	5844	Battery Hold-Down Bar	1				
22	5839	Hook Bolt, Battery Mount	2				

# ELECTRICAL ASSEMBLY (MT)



Effective Date 01-31-03

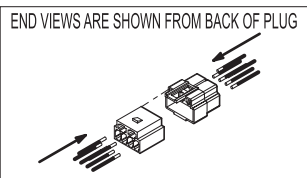
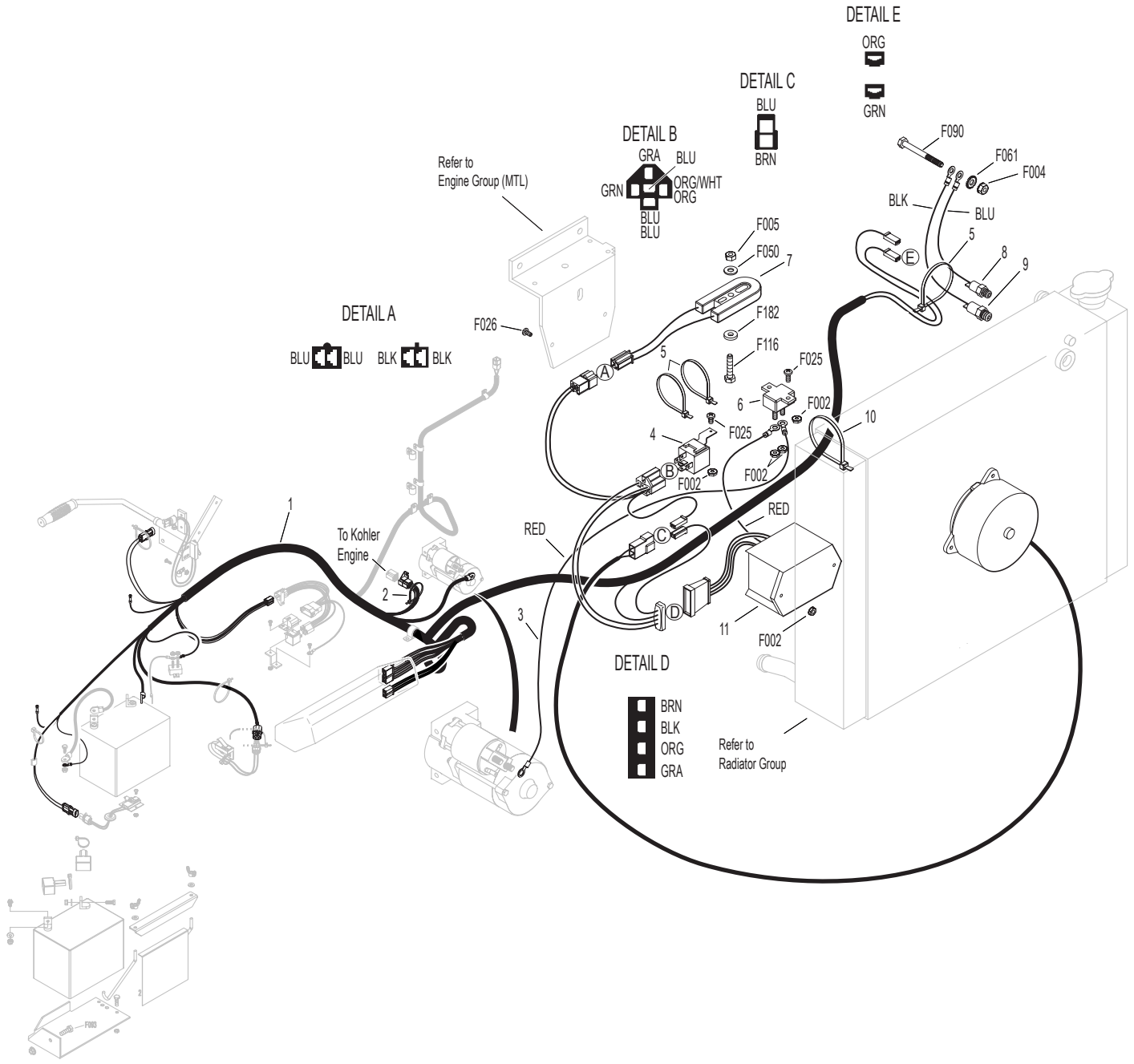
Use only genuine Walker® replacement parts.

# ELECTRICAL ASSEMBLY (MTL)

ITEM NO.	PART NO.	DESCRIPTION	NO. REQ'D	ITEM NO.	PART NO.	DESCRIPTION	NO. REQ'D
<b>Electrical Assembly</b>				<b>Fasteners</b>			
1	8940-4	Wiring Harness	1	F002		10-24 Keps Nut	7
2	5975-3	Cable Tie (50# x 7")	1	F004		1/4-20 Keps Nut	1
3	8940-5	Jumper Wire, MTL Resistor	1	F005		1/4-20 ESNA Nut	1
4	6941	Relay Switch (30/40 Amp)	1	F025		10-24 x 3/8 PPHMS	5
5	5975-1	Cable Tie (18# x 3-3/4")	7	F050		1/4 SAE Washer	1
6	8941	Circuit Breaker (30 Amp) with Reset	1	F061		1/4 Star Washer	1
7	7433	Resistor, Ceramic / .4 OHM	1	F090		1/4-20 x 2-1/2 Hex Bolt	1
8	7306-10	Switch (235 Deg., 1/4-18 NPT)	1	F116		1/4-20 x 1-1/4 Hex Bolt	1
9	7306-11	Switch (205 Deg., 3/8-18 NPT)	1	F182		1/4 x 5/8 x 1/8 Washer	1
10	5975-7	Cable Tie (50# x 11")	1				
11	7428-1	Fan Control Module	1				

**NOTE:** Refer to **ELECTRICAL CONNECTORS**, Page 60 for identification of all Electrical Wiring Service Parts.

# ELECTRICAL ASSEMBLY (MTL)



Effective Date 01-31-03

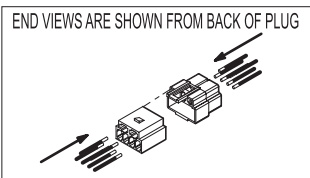
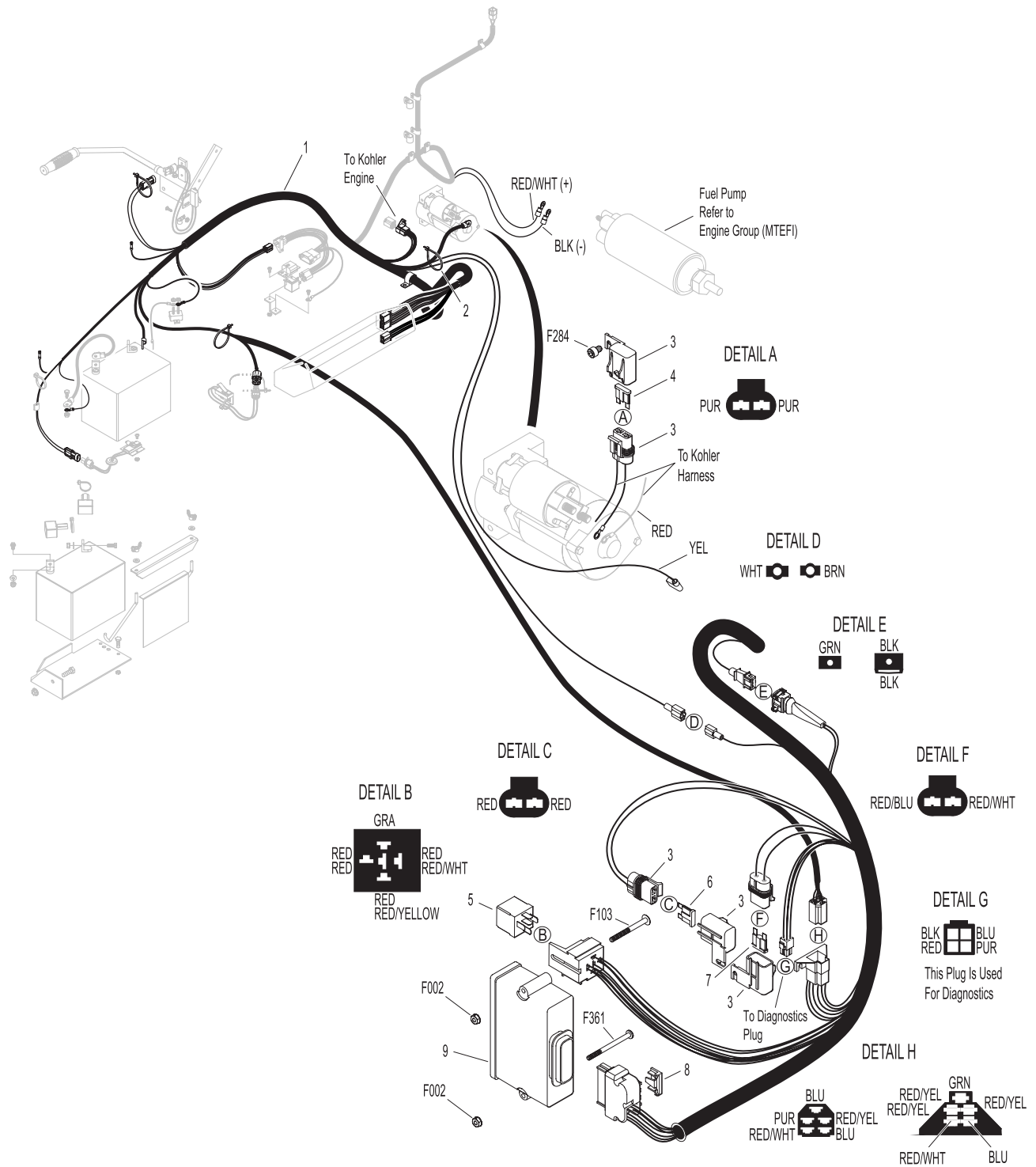
Use only genuine **Walker®** replacement parts.

# ELECTRICAL ASSEMBLY (MTEFI)

ITEM NO.	PART NO.	DESCRIPTION	NO. REQ'D	ITEM NO.	PART NO.	DESCRIPTION	NO. REQ'D
<b>Electrical Assembly</b>				<b>Fasteners</b>			
1	8940-16	Wire Harness, Ext. Fuel Pump	1	F002		10-24 Keps Nut	2
2	5975-1	Cable Tie (18# x 3-3/4")	1	F103		10-24 x 2 PTHMS	1
3	NS	Fuse Holder (Kohler)	3	F284		M6 x 1.0 x 8 SHC Screw	1
4	6941-4	30 Amp Fuse	1	F361		10-24 x 2-1/2 Hex Bolt	1
5	NS	Relay (Kohler)	1				
6	6941-1	20 Amp Fuse	1	*		Used on GHS Models with 7.0 Bushel Catcher only. When	
7	6941-3	10 Amp Fuse	1			Optional GHS 9.5 Bushel Catcher is purchased, this part is	
8	NS	ECU Harness Clip	1			replaced by P/N 8950 (9.5 Catcher Wire Harness).	
9	NS	ECU (Kohler)	1				

**NOTE:** Refer to **ELECTRICAL CONNECTORS**, Page 60 for identification of all Electrical Wiring Service Parts.

# ELECTRICAL ASSEMBLY (MTEFI)



Effective Date 01-31-03

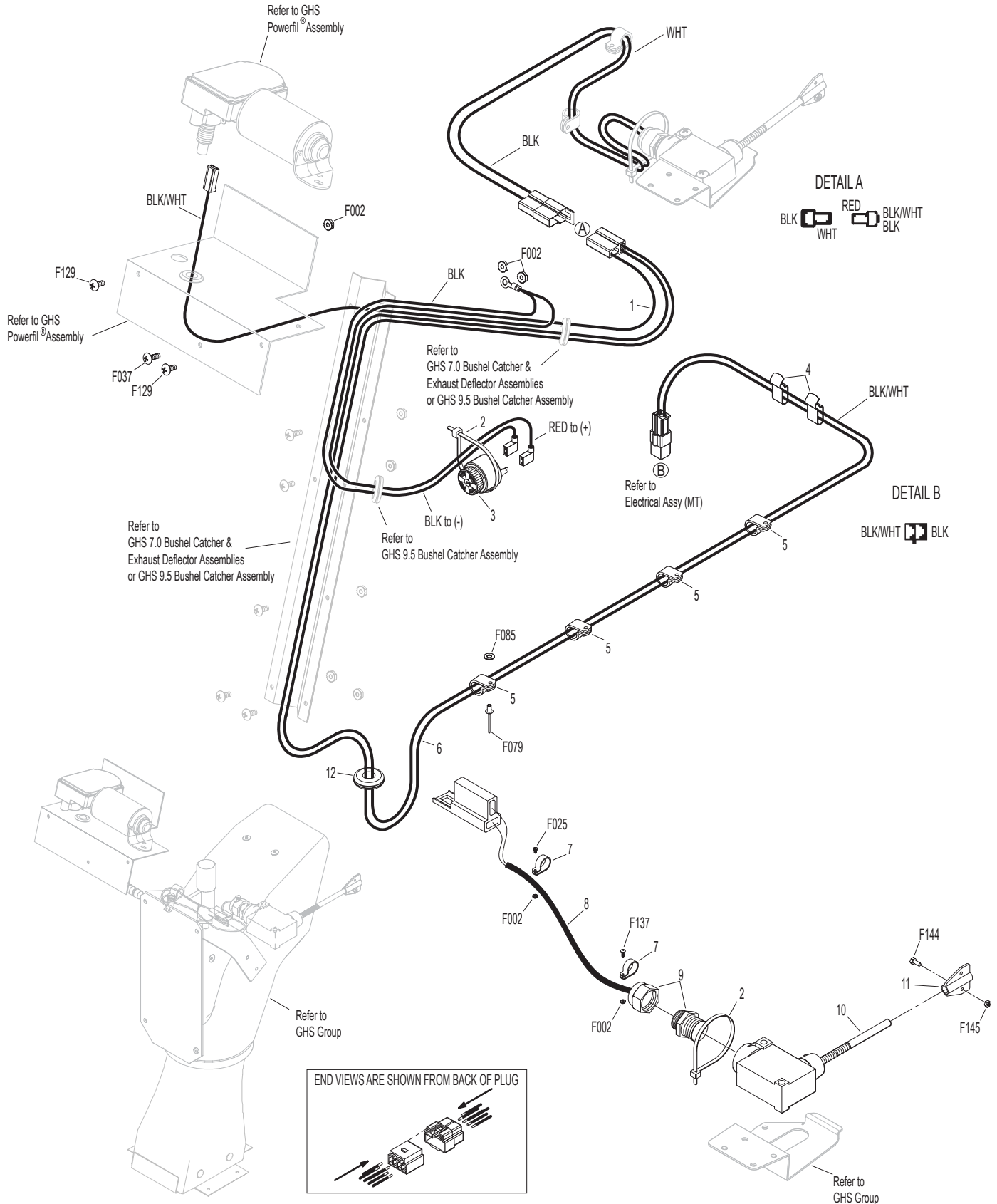
Use only genuine Walker® replacement parts.

# ELECTRICAL ASSEMBLIES (GHS 7.0 / 9.5 BUSHEL COMPONENTS)

ITEM NO.	PART NO.	DESCRIPTION	NO. REQ'D	ITEM NO.	PART NO.	DESCRIPTION	NO. REQ'D
<b>Horn &amp; Harness Channel Assemblies</b>				<b>Fasteners</b>			
1	5599	Pigtail Wire Set, Horn	1	F002		10-24 Keps Nut	5
2	5975-3	Cable Tie (50# x 7")	2	F025		10-24 x 3/8 PPHMS	1
3	5536-2	Horn, Full Signal	*	F037		10-24 x 5/8 PTH Screw	1
<b>Harness &amp; Grass-Pak® Switch Assemblies</b>				F079		A/A66D Aluminum Pop Rivet	4
4	7835	Frame Clip (3/16)	2	F085		3/16 Rivet Backup Washer	4
5	7834	Nylon Clamp (1/4)	4	F129		10-24 x 1/2 PTHMS	6
6	8950	Wire Harness, 9.5 Catcher	1	F137		3/8-16 x 1/2 x 2 SHL Bolt	1
	7944	Wire Harness, 7.0 Catcher		F144		4-40 x 1/4 PPHMS	1
7	5833	Cable Clamp (1/4)	2	F145		4-40 Keps Nut	1
8	5980-3	Wire, Grass-Pak® Switch	1	* Service Part Only			
9	5592-11	Liquid Tight Plug	1	<b>NOTE:</b> Refer to <b>ELECTRICAL CONNECTORS</b> , Page 60 for identification of all Electrical Wiring Service Parts.			
10	5592-10	Grass-Pak® Switch Module	1				
	5592-4	Grass-Pak® Switch Assembly (Includes Items # 3, 9 & 10-13)	*				
11	5594-5	Vane Assembly, Grass-Pak® Switch (Includes Items # F144 & F145)	1				
12	5977-2	Grommet, Cut (1/8 x 3/8)	1				



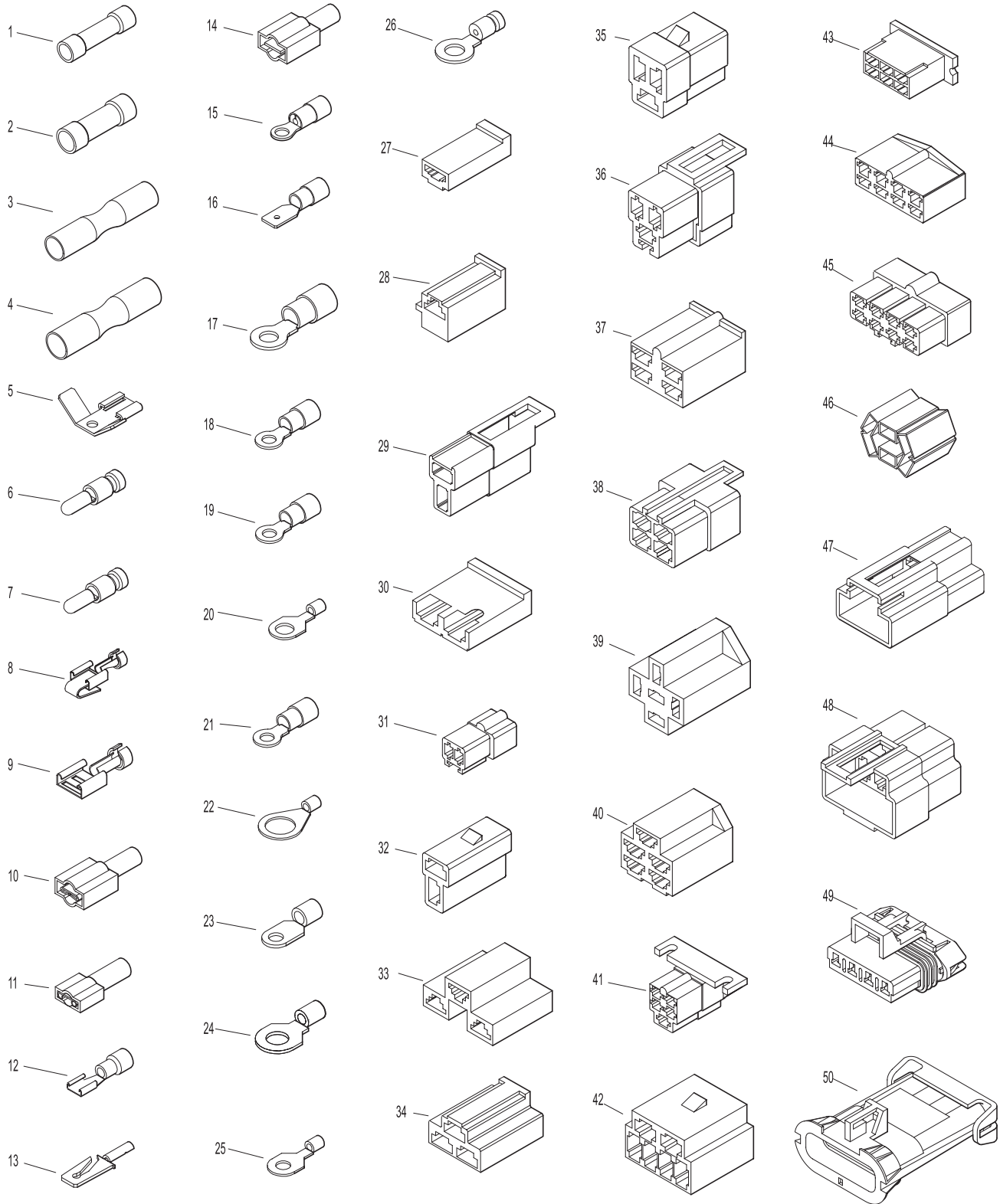
# ELECTRICAL ASSEMBLIES (GHS 7.0 / 9.5 BUSHEL COMPONENTS)



# ELECTRICAL CONNECTORS

ITEM NO.	PART NO.	DESCRIPTION	NO. REQ'D	ITEM NO.	PART NO.	DESCRIPTION	NO. REQ'D
<b>Electrical Wiring Service Parts</b>				29	7942-1	2-Way Locking Connector, Female	*
1	5996-1	16-14 GA Butt Connector	*	30	7942-2	2-Way Connector, Male	*
2	5996-11	12-10 GA Butt Connector	*	31	7942-3	2-Way Connector, Female	*
3	7942-14	14-16 GA Shrink Connector	*	32	7942-10	2-Way Locking Connector, Male	*
4	7942-13	10-12 GA Shrink Connector	*	33	5940-8	3-Way Connector, Male	*
5	5995-1	Wire Terminal Adapter	*	34	7942-9	3-Way Connector, Male	*
6	5996-4	16-14 GA Bullet Conn., Male	*	35	8944	3-Way Locking Connector, Male	*
7	5996-5	16-14 GA Bullet Conn., Female	*	36	8944-1	3-Way Locking Connector, Female	*
8	5940-4	16-14 GA Spg. Loaded Term., Female	*	37	7942-11	4-Way Connector, Male	*
9	5940-7	Brass Wire Clip, Female	*	38	7942-12	4-Way Connector, Female	*
10	5996	1/4 x 16-14 GA QKS Term., Female	*	39	7942-5	5-Way Connector, Male	*
11	5996-2	3/16 x 22-18 GA QKS Term., Female	*	40	5940-2	5-Way Connector, Male	*
12	7996	3/16 x 16-14 GA QKS Term., Female	*	41	8942-1	5-Way Connector, Female	*
13	5940-5	16-14 GA Spg. Loaded Term., Male	*	42	7942-6	6-Way Connector, Male	*
14	5996-0	1/4 x 22-18 GA QKS Term., Male	*	43	7942-7	6-Way Connector, Male	*
15	5996-18	16-14 GA Ring Term. (#8) Nylon Insulated	*	44	7942-8	8-Way Connector, Male	*
16	7996-1	1/4 x 16-14 GA QKS Term., Male	*	45	8942-2	8-Way Connector, Female	*
17	5996-8	6 GA Ring Lug (5/16)	*	46	8942-3	5-Way Connector, Male	*
18	5996-9	22-18 GA Ring Term., #10	*	47	5940-9	3-Way Connector (M)	*
19	5996-10	16-14 GA Ring Term. (5/16)	*	48	7942-15	6-Way Connector (Female)	*
20	5996-12	12-10 GA Ring Term. (5/16)	*	49	7940-3	Packard Plug (Male)	*
21	5996-13	16-14 GA Ring Term., # 10	*	50	7940-4	Packard Plug (Female)	*
22	5996-15	12-10 GA Ring Term. (1/2)	*	* Service Part Only			
23	5996-16	6 GA Ring Terminal (1/4)	*	<b>NOTE:</b> Not all Electrical Connectors are used with all assemblies.			
24	5996-17	16-14 GA Ring Term. (1/4)	*	<b>NOTE:</b> Refer to <b>ELECTRICAL ASSEMBLY</b> , Page 52 for locations of Wiring Harness and of all Electrical Wiring Service Parts.			
25	5996-20	12-10 GA Ring Term. (1/4)	*				
26	5996-21	12-10 GA Ring Term., #10	*				
27	7942-4	Single Connector, Male	*				
28	8942	2-Way Connector, Male	*				

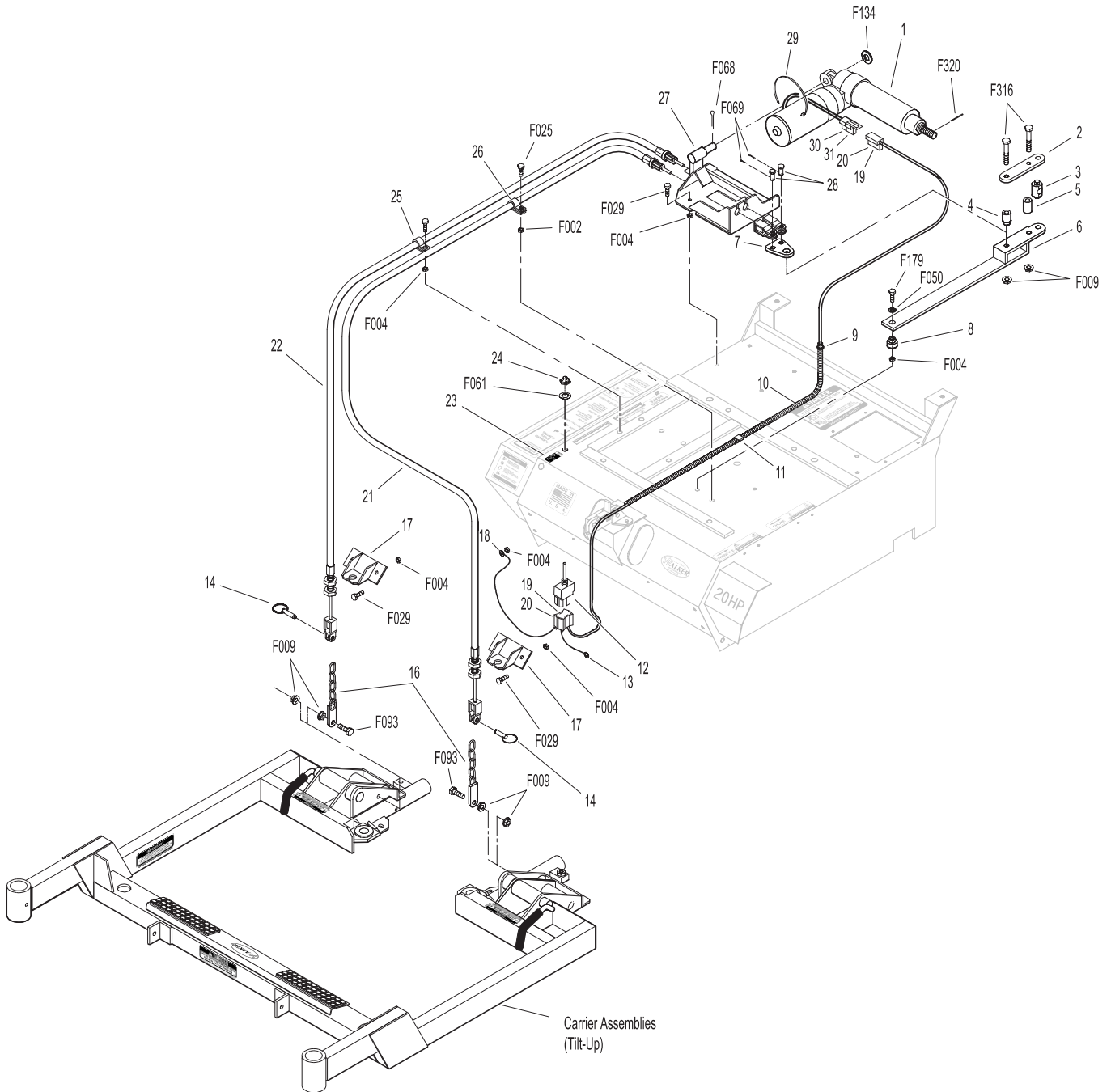
# ELECTRICAL CONNECTORS



# POWER DECK LIFT KIT

ITEM NO.	PART NO.	DESCRIPTION	NO. REQ'D	ITEM NO.	PART NO.	DESCRIPTION	NO. REQ'D
<b>Kit 8655 Power Deck Lift Option / Kit</b> Includes Items # 1-32, fasteners listed and instructions. May be ordered as a dealer-installed option. Contact your Walker dealer.				<b>Fasteners</b>			
1	8621	Linear Actuator, Deck	1	F002		10-24 Keps Nut	1
2	8655-8	Clamp Bar	1	F004		1/4-20 Keps Nut	14
3	7503-10	Actuator Drive Bushing	1	F009		5/16-18 Whiz Locknut	6
4	8655-11	Bushing (5/8 OD x 5/16 x 1-1/16)	1	F025		10-24 x 3/8 PPHMS	1
5	8655-10	Bushing (5/8 OD x 5/16 x 1-1/16)	1	F029		1/4-20 x 1/2 Hex Bolt	8
6	8655-7	Arm, Deck Lift	1	F050		1/4 SAE Washer	1
7	8655-9	Cable Pull	1	F061		1/4 Star Lock Washer	1
8	8655-12	Bushing (3/4 OD x 1/4 ID x 3/4)	1	F068		1/8 x 1 Cotter Pin	1
9	5977-1	Grommet (1/8 x 3/8)	1	F069		3/32 x 1/2 Cotter Pin	2
10	8649	Wire Harness, Deck Lift	1	F093		5/16-18 x 1 Hex Bolt	2
11	5975-5	Wire Clip, Self Mount	1	F134		AN960816L Washer	1
12	6623	Lift Control Switch	1	F179		1/4-20 x 1 Hex Bolt	1
13	5996-21	12-10 GA Ring Terminal (# 10)	*	F316		5/16-18 x 1-3/4 Hex Bolt	2
14	8655-1	Cotterless Hitch Pin (5/8)	2	F320		1/8 x 3/4 Split Spring Pin	*
15	8627	Deck Bracket, Power Lift	2	* Service Part Only			
16	8655-6	Lift Chain	2	<b>NOTE:</b> Power Deck Lift is not compatible with Comfort Seat or Suspension Seat.			
17	8655-5	Cable Mount	2				
18	5996-20	12-10 GA Ring Terminal (1/4)	*				
19	8942-3	Five-Way Connector (M)	*				
20	5940-4	16-14 GA Spring-Loaded Terminal (F)	*				
21	8655-3	Cable LH (48")	1				
22	8655-2	Cable RH (38.5")	1				
23	8654	Decal, Deck Lift	1				
24	6623-1	Switch Boot	1				
25	6832	Cable Clamp (9/16 x 1/4)	1				
26	5832	Cable Clamp (1/2)	1				
27	8655-22	Base, Deck Lift	1				
28	8655-4	Clevis Pin (5/16 x 3/4)	2				
29	5975-3	Cable Tie (#50 x 7")	3				
30	7942-1	Two-Way Locking Connector (F)	*				
31	5940-5	16-14 GA Spring-Loaded Terminal (M)	*				
32	7942-10	Two Way Locking Connector (M)	*				

# POWER DECK LIFT KIT

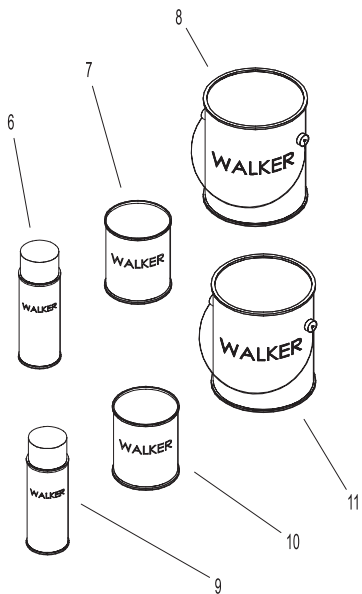
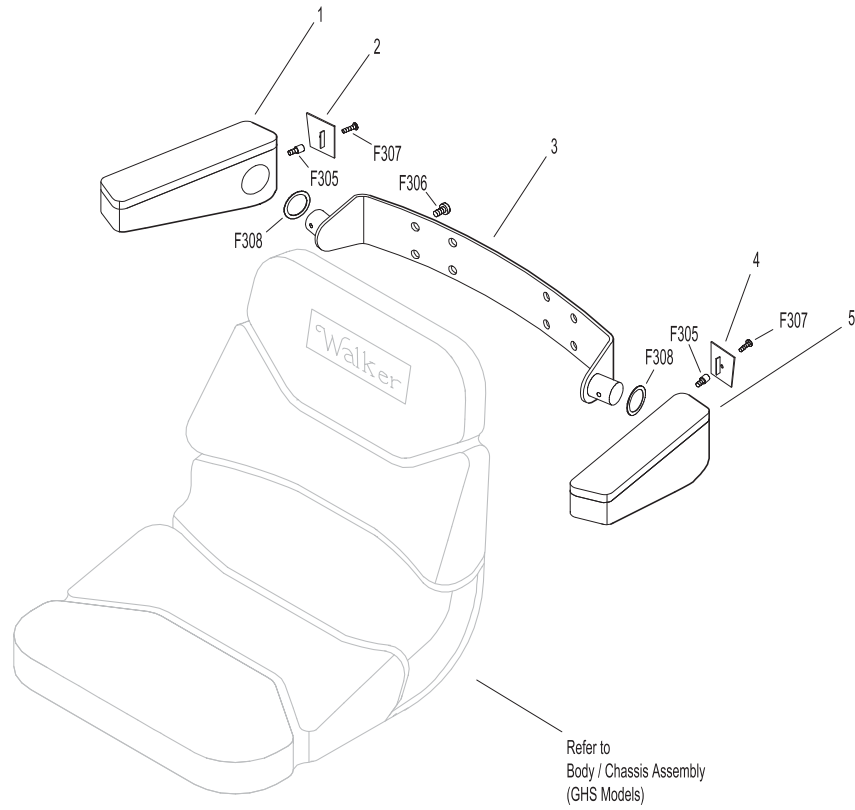


# ARMREST KIT / TOUCH-UP PAINT

ITEM NO.	PART NO.	DESCRIPTION	NO. REQ'D	ITEM NO.	PART NO.	DESCRIPTION	NO. REQ'D
<b>Kit 5885 Armrest Option / Kit</b>				<b>Touch-Up Paint</b>			
Includes Items # 1-5, fasteners listed and instructions. May be ordered as a dealer-installed option. Contact your Walker dealer.							
1	5886-1	Armrest, RH	1	6	5866	Touch-Up Paint, Yellow (12 oz. Aerosol)	
2	5886-3	Cover Plate, RH	1	7	5871	Touch-Up Paint, Yellow (1 qt.)	
3	5887	Mounting Bracket	1	8	5871-1	Touch-Up Paint, Yellow (1 gal.)	
4	5886-4	Cover Plate, LH	1	9	5867	Touch-Up Paint, Grey (12 oz. Aerosol)	
5	5886-2	Armrest, LH	1	10	5873	Touch-Up Paint, Grey (1 qt.)	
	5888	Armrest Hardware Kit (Includes Items # F305, F306, F307 & F308)	*	11	5873-1	Touch-Up Paint, Grey (1 gal.)	
				<b>Fasteners</b>			
					F305	1/4-20 x 3/8 SH Cap Screw	2
					F306	3/8-16 x 3/4 Hex Bolt	4
					F307	#10 x 5/8 PPHST Screw	2
					F308	1-1/4 x 1-5/8 Wave Spring Washer	2

\* Service Part Only

# ARMREST KIT / TOUCH-UP PAINT



# COMFORT SEAT / ARMREST KIT

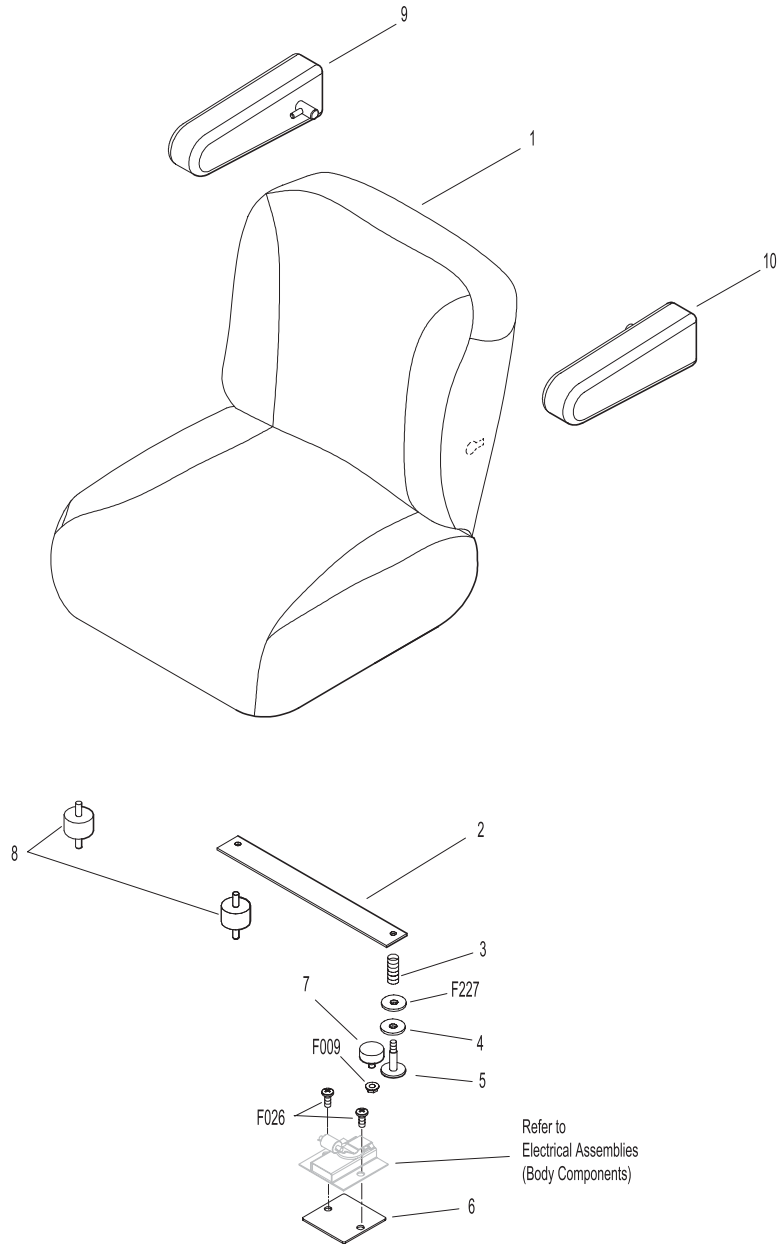
ITEM NO.	PART NO.	DESCRIPTION	NO. REQ'D	ITEM NO.	PART NO.	DESCRIPTION	NO. REQ'D
<b>Kit 6103-5 Comfort Seat Kit (Grey)</b> Includes Items # 1, 6, fasteners listed and instructions. May be ordered as a dealer-installed option. Contact your Walker dealer.				<b>Fasteners</b>			
1	6103-5	Comfort Seat	1	F009		5/16 - 18 Whiz Locknut	*
2	7203	Seat Spring Plate	*	F026		10-24 x 1/2 PPHMS	2
3	7223	Compression Spring (1/2 x 1)	*	F227		3/8-1-1/4 x 1/8 Plastic Washer	*
4	7845	Rubber Bumper (1.375 OD x .63)	*	* Reuse existing parts from Seat Assembly. Refer to <b>BODY / CHASSIS ASSEMBLY (GHS MODELS) MT</b> , Page 4.			
5	7846	Rubber Washer (3/8 ID x 1-1/4 OD x 1/8)	*	** Only one Riser Plate is included with kit. One is reused from Seat Assembly. Refer to <b>BODY / CHASSIS ASSEMBLY (GHS MODELS) MT</b> , Page 4.			
6	7203-6	Riser Plate, Seat Switch	**				
7	7204	Shoulder Bolt, Seat Mount	*				
8	7440-5	Shock Mount (1.25 D x .75)	*				

**Kit 6103-15 Armrest Option / Kit**  
 Includes Items # 9, 10 and instructions. Item # 9 is the **Right** side armrest only. Item # 10 is the **Left** side armrest only. Sold only as a complete set and may be ordered together as a factory-installed option or as a kit for dealer installation. Contact your Walker dealer.

9	6103-42	Armrest, Right Side	1
10	6103-41	Armrest, Left Side	1



# COMFORT SEAT / ARMREST KIT



# SUSPENSION SEAT KIT

ITEM NO.	PART NO.	DESCRIPTION	NO. REQ'D
----------	----------	-------------	-----------

## Kit 6103-9 Armrest Kit

Includes Items # 1-6 and instructions. May be ordered as a factory-installed option or as a kit for dealer installation. Contact your Walker dealer.

1	6103-92	Armrest, RH	1
2	NS	5/8 Nut Cover	4
3	NS	7/16-20 x 13/4 HHCS	4
4	NS	3/8 SAE Washer	4
5	NS	Bushing, 3/4 x 3/4	4
6	6103-91	Armrest, LH	1

## Kit 6103-25 Suspension Seat Option / Kit

Includes Items # 7-9, 11-13, 17, 20, fasteners listed (except as indicated; refer to **NOTE**) and instructions. May be ordered as a factory-installed option or as a kit for dealer installation. Contact your Walker dealer.

7	6103-11	Suspension Seat	1
8	5941-5	Safety Switch (Normal Open)	*
9	6103-33	Seat Mount Plate, LH	1
10	7223	Compression Spring (1/2 x 1)	2
11	5975-3	Cable Tie (50# x 7")	2
12	5975-1	Cable Tie (18# x 3-3/4")	1
13	6103-23	Wire Harness, S/C/T Suspension Seat	1
14	7846	Rubber Washer (3/8 x 1-1/4 x 1/8)	2
15	7204	Shoulder Bolt, Seat Mount	2
16	5453-20	Steering Lever Handle (+1"), Adj.	2
17	5977-5	Grommet (5/8)	2
18	5841	Retainer Washer	2
19	7845	Rubber Bumper (1.375 x 0.63)	2
20	7440-5	Shock Mount (1.25 x 0.75)	2
21	6103-34	Seat Mount Plate, RH	1

ITEM NO.	PART NO.	DESCRIPTION	NO. REQ'D
----------	----------	-------------	-----------

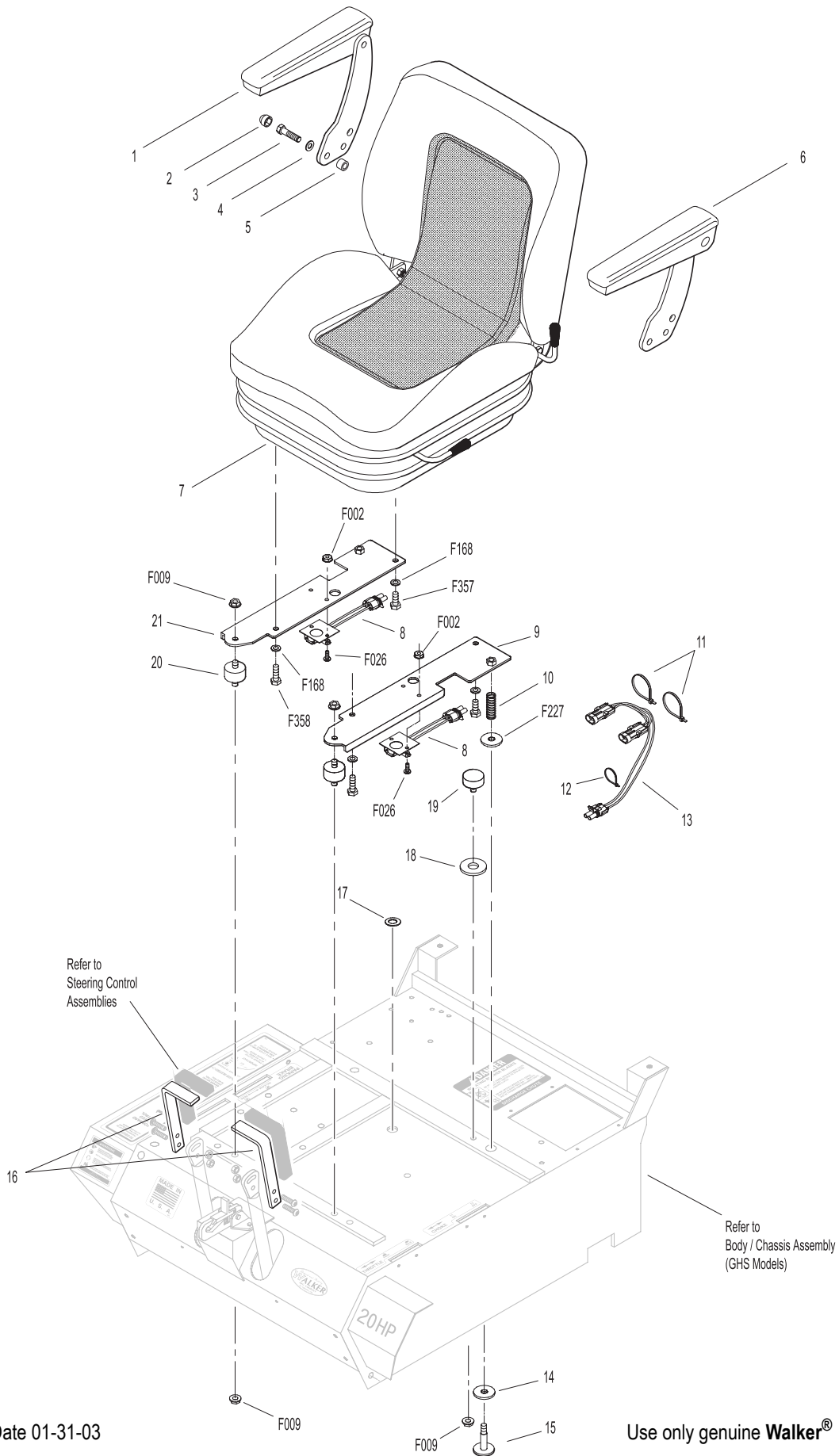
## Fasteners

F002	10-24 Keps Nut	4
F009	5/16-18 Whiz Locknut	4
F026	10-24 x 1/2 PPHMS	4
F168	5/16 Split Lock Washer	4
F227	3/8 x 1-1/4 x 1/8 Washer (Plastic)	2
F357	M8 x 16 Hex Bolt	2
F358	M8 x 25 Hex Bolt	2

\* Only one switch is included with kit. One is reused from Seat Assembly. Refer to **BODY / CHASSIS ASSEMBLY (GHS MODELS) MT**, Page 4.

**NOTE:** Reuse items # 8, 10, 14-16, 18, two (2) each of the F002, F009 and F026 fasteners, and item # F227 from Seat Assembly. Refer to **BODY / CHASSIS ASSEMBLY (GHS MODELS) MT**, Page 4.

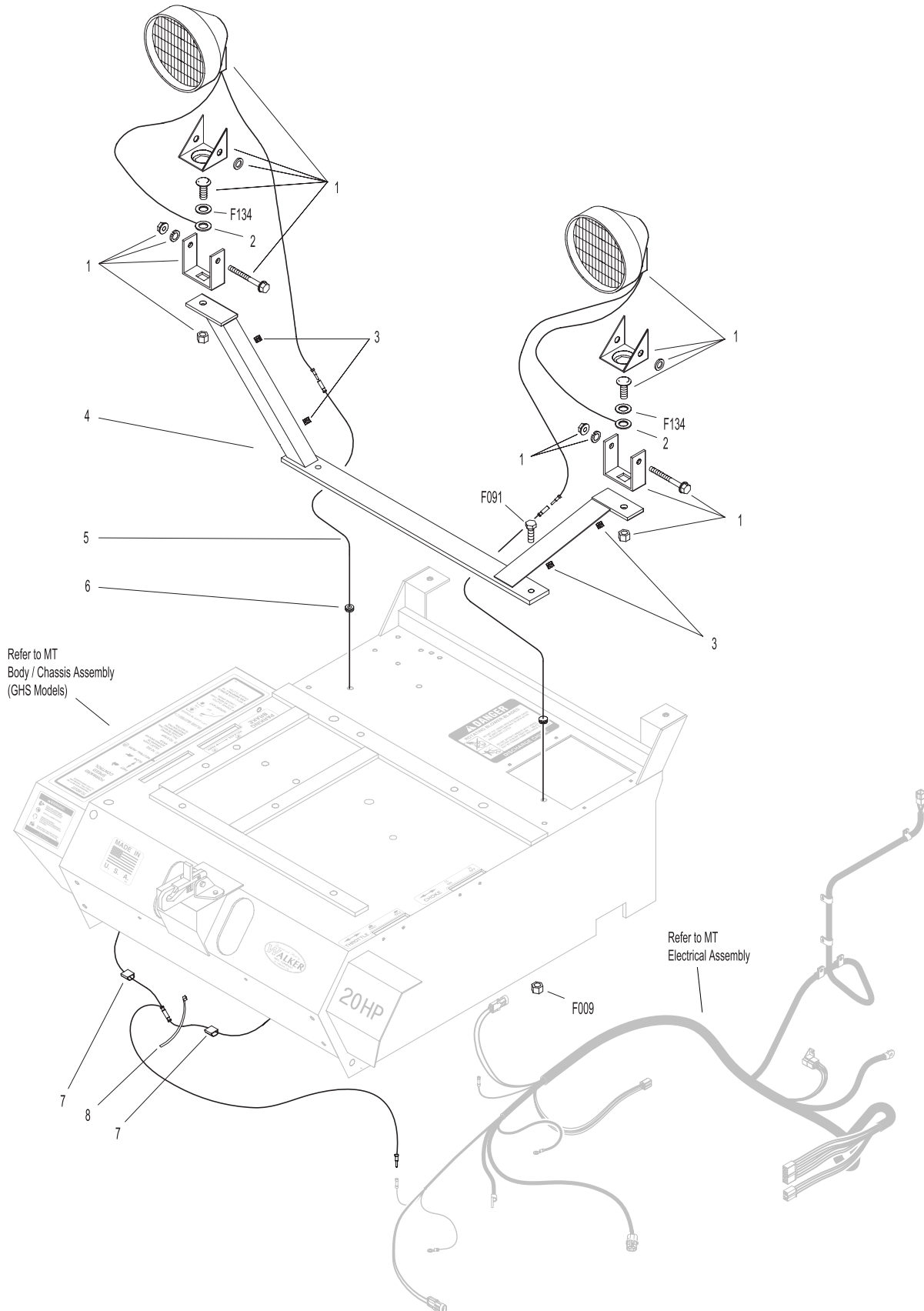
# SUSPENSION SEAT KIT



Effective Date 01-31-03



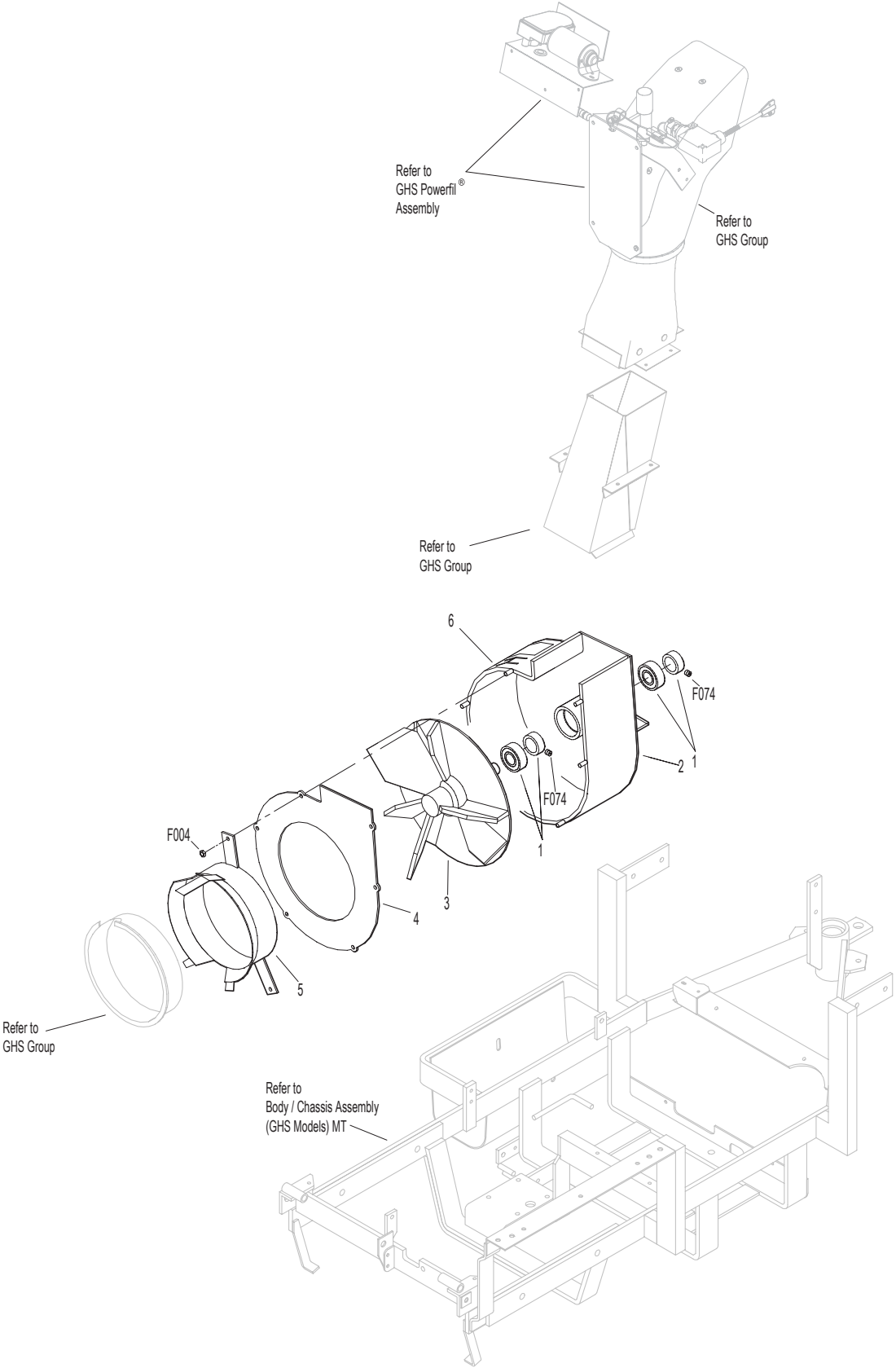
# LIGHT KIT



# CASE-HARDENED BLOWER KIT

ITEM NO.	PART NO.	DESCRIPTION	NO. REQ'D	ITEM NO.	PART NO.	DESCRIPTION	NO. REQ'D
<b>Kit 6542-15 Case Hardened Blower Option / Kit</b> Includes Items # 1-5, fasteners listed and instructions. May be ordered as a factory-installed option or as a kit for dealer installation. Contact your Walker dealer.				<b>Fasteners</b>			
1	5268	Bearing (3/4) Includes Locking Collar	2				
2	6543-15	Blower Housing (10") HT	1	F004		1/4-20 Keps Nut	6
3	6545-15	Blower Wheel (10") HT	1	F074		1/4-20 x 3/8 Set Screw	2
4	6525-2	Faceplate (10" Blower)	1				
5	6526	Intake Tube (6-1/2 x 2-1/2)	1				
6	6542-50	Decal, "H" (5/8)	1				

# CASE-HARDENED BLOWER KIT



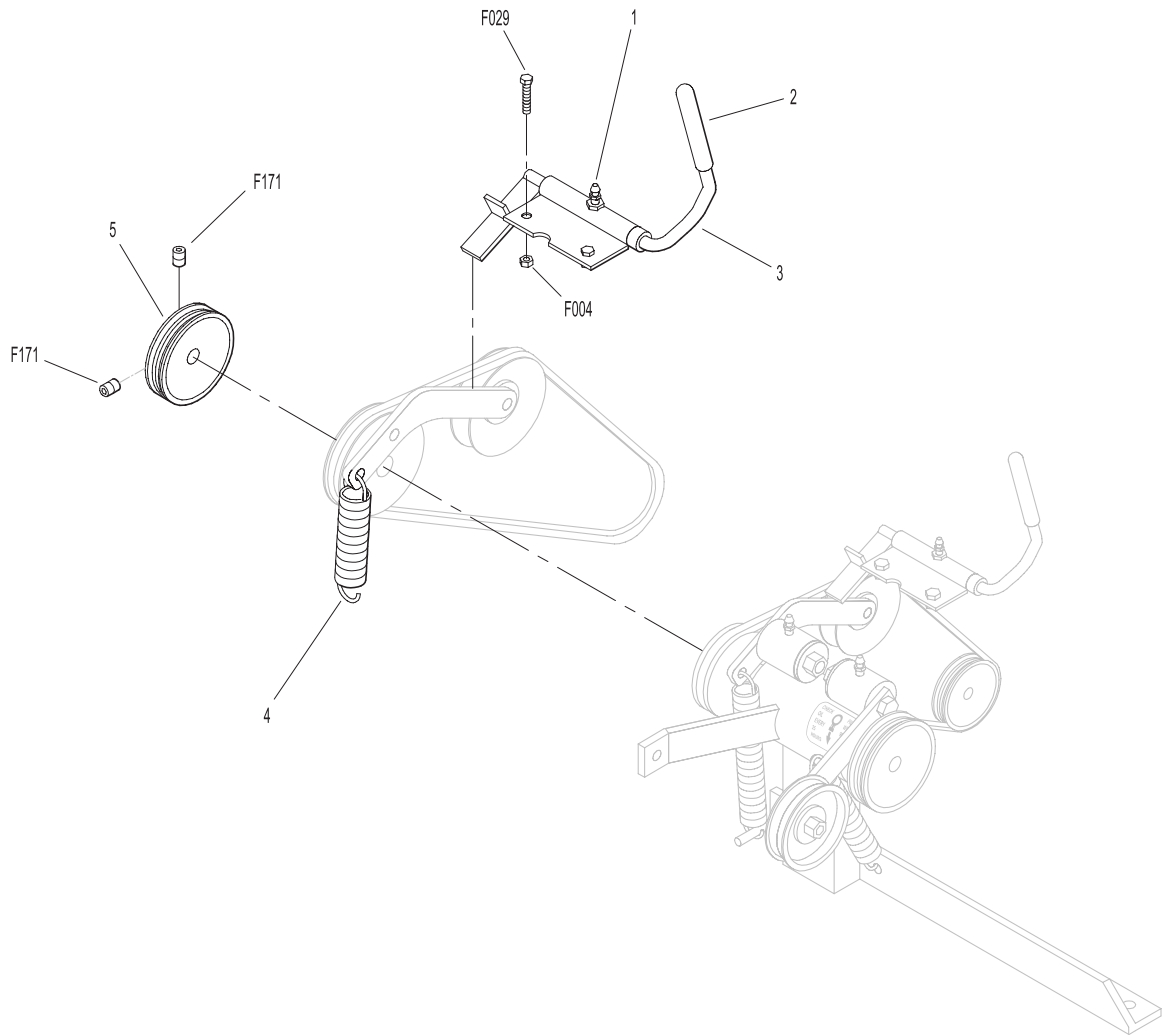
## COLD START KIT / SPEED UP KIT

ITEM NO.	PART NO.	DESCRIPTION	NO. REQ'D	ITEM NO.	PART NO.	DESCRIPTION	NO. REQ'D
<b>Kit 8638 Cold Start Option / Kit</b> Includes Items # 1-3, fasteners F004, F029, and instructions.				<b>Fasteners</b>			
1	5830	Grease Fitting	1	F004		1/4-20 Keps Nut	2
2	7406-1	Handle Grip, Red	1	F029		1/4-20 x 1/2 Hex Bolt	2
3	8638-1	Idler Release (Includes Items # 1 & 2)	1	F067		3/16 x 3/16 x 1 Key	*
				F171		5/16-18 x 3/8 Set Screw	*
<b>Kit 8247 Speed-Up Option / Kit</b> Includes Items # 4-5 and instructions.				* Service Part Only			
4	5224	Extension Spring (1 x 4)	1				
5	7240-1	Jackshaft Drive Pulley (3-1/2/3/4/3V) (Includes Item # F171)	1				

Both kits may be ordered as a dealer-installed option. Contact your Walker dealer.



# COLD START KIT / SPEED UP KIT



# POWER DUMP KIT (7.0 BUSHEL GHS MODELS ONLY)

ITEM NO.	PART NO.	DESCRIPTION	NO. REQ'D	ITEM NO.	PART NO.	DESCRIPTION	NO. REQ'D
<b>Kit 7620-13 Power Dump Option / Kit (7.0 Models Only)</b> Includes Items # 1-29, fasteners listed and instructions. May be ordered as a factory-installed option or as a kit for dealer installation. Contact your Walker dealer. Not to be used with optional Dump Bag Kits.				<b>Fasteners</b>			
1	7620-3	Door Pivot Bushing	2	F002		10-24 Keps Nut	5
2	7612-2	Door Actuator Arm, RH	1	F003		1/4-28 Hex Nut	4
3	7612-1	Door Actuator Arm, LH	1	F004		1/4-20 Keps Nut	4
4	7610-5	Extension Spring, 1/4 x 2-7/8	1	F009		5/16-18 Whiz Locknut	4
5	7523-2	Clevis Pin (1/4 x 5/8)	2	F012		3/8-16 Keps Nut	2
6	7623	7.0 Power Dump Cable Assembly	2	F028		10-24 x 3/4 PPHMS	4
7	5975-7	Cable Tie (50# x 11")	1	F029		1/4-20 x 1/2 Hex Bolt	4
8	7621	Linear Actuator 7.0	1	F032		1/4-20 x 3/4 Hex Bolt	1
9	5552	Ball Joint (1/4-28)	2	F039		3/8-16 x 1-1/4 Hex Bolt	2
10	7628-1	Channel Angle, RH	1	F049		5/16 SAE Washer	2
11	7620-9	Roller Wheel	2	F050		1/4 SAE Washer	2
12	7629	Channel Angle, LH	1	F068		1/8 x 1 Cotter Pin	2
13	5830	Grease Fitting	3	F069		3/32 x 1/2 Cotter Pin	4
14	7626-0	Actuator Mount	1	F079		A/A66D Aluminum Pop Rivet	1
15	7624-1	Roller Bearing Bolt	1	F085		3/16 Rivet Backup Washer	4
16	5832	Cable Clamp (1/2)	1	F093		5/16-18 x 1 Hex Bolt	1
17	7627	Front Actuator Mount	1	F111		1/8 x 3/4 Cotter Pin	1
18	7624	Sealed Needle Bearing	1	F128		10-24 x 3/8 PTHMS	2
19	7630-3	Ram Pivot and Spacer	1	F134		AN960816L Washer	4
20	7625	Fork	1	F249		M10 Split Lock Washer	2
21	5975-1	Cable Tie (18# x 3-3/4")	1	F266		1/2 x 2-3/4 Shoulder Bolt	1
22	5975-3	Cable Tie (50# x 7")	5	F267		1/2 x 1 x 1/16 Washer	4
23	7622	Wire Harness	1	F269		10-32 x 5/8 PTHMS	4
24	6623	Lift Control Switch	1	F270		10-32 Cap Nut	4
25	6623-1	Switch Boot	1				
26	7633	Decal, Power Dump Switch	1				
27	8105-3	Rear Body Panel, LH (MT & MTEFI)	1				
	8105-35	Rear Body Panel, LH (MTL)	1				
28	8105-4	Rear Body Panel, RH (MT, MTL & MTEFI)	1				
29	7620-12	Cable Rod Guide (7.0)	2				
30	7620-6	Cable Guide	2				
31	7613	Door Actuator	2				

**NOTE:** Two F009 Fasteners are reused from the Rear Gas Spring Assembly. Refer to **REAR BODY ASSEMBLY (GHS MODELS)**, Page 10.

**NOTE:** Refer to **ELECTRICAL CONNECTORS**, Page 60 for identification of all Electrical Wiring Service Parts.



# POWER DUMP KIT (9.5 BUSHEL GHS MODELS ONLY)

ITEM NO.	PART NO.	DESCRIPTION	NO. REQ'D	ITEM NO.	PART NO.	DESCRIPTION	NO. REQ'D
<b>Kit 8620-1 Power Dump Option / Kit (9.5 Models Only)</b> Includes Items # 1-29, fasteners listed and instructions. May be ordered as a factory-installed option or as a kit for dealer installation. Contact your Walker dealer.				<b>Fasteners</b>			
1	7620-3	Door Pivot Bushing	2	F002		10-24 Keps Nut	6
2	7612-2	Door Actuator Arm, RH	1	F003		1/4-28 Hex Nut	4
3	7612-1	Door Actuator Arm, LH	1	F004		1/4-20 Keps Nut	4
4	7610-5	Extension Spring, 1/4 x 2-7/8	1	F009		5/16-18 Whiz Locknut	3
5	7523-2	Clevis Pin (1/4 x 5/8)	2	F012		3/8-16 Keps Nut	2
6	7623-2	9.5 Power Dump Cable Assembly	2	F028		10-24 x 3/4 PPHMS	2
7	5975-7	Cable Tie (50# x 11")	1	F029		1/4-20 x 1/2 Hex Bolt	4
8	7721	Linear Actuator 9.5	1	F032		1/4-20 x 3/4 Hex Bolt	1
9	5552	Ball Joint (1/4-28)	2	F039		3/8-16 x 1-1/4 Hex Bolt	2
10	8620-5	Guard, 9.5 P.D. Motor	1	F049		5/16 SAE Washer	2
11	7628-1	Channel Angle, RH	1	F050		1/4 SAE Washer	1
12	7620-9	Roller Wheel	2	F068		1/8 x 1 Cotter Pin	2
13	7629	Channel Angle, LH	1	F069		3/32 x 1/2 Cotter Pin	4
14	5830	Grease Fitting	3	F079		A/A66D Aluminum Pop Rivet	1
15	7636-1	Actuator Mount, 9.5	1	F085		3/16 Rivet Backup Washer	4
16	7624-1	Roller Bearing Bolt	1	F093		5/16-18 x 1 Hex Bolt	2
17	5832	Cable Clamp (1/2)	1	F111		1/8 x 3/4 Cotter Pin	1
18	7627	Front Actuator Mount	1	F134		AN960816L Washer	4
19	7624	Sealed Needle Bearing	1	F249		M10 Split Lock Washer	2
20	7630-3	Ram Pivot and Spacer	1	F266		1/2 x 2-3/4 Shoulder Bolt	1
21	7625	Fork	1	F267		1/2 x 1 x 1/16 Washer	4
22	5975-1	Cable Tie (18# x 3-3/4")	1	F269		10-32 x 5/8 PTHMS	4
23	5975-3	Cable Tie (50# x 7")	5	F270		10-32 Cap Nut	4
24	7622	Wire Harness	1	F317		3/16 x 1 Split Spring Pin	2
25	6623	Lift Control Switch	1	F337		1/4 - 20 x 5/8 Self Tap Bolt	2
26	6623-1	Switch Boot	1				
27	7633	Decal, Power Dump Switch	1				
28	8105-3	Rear Body Panel, LH (MT & MTEFI)	1				
	8105-35	Rear Body Panel, LH (MTL)	1				
29	8105-4	Rear Body Panel, RH (MT, MTL & MTEFI)	1				
30	7620-6	Cable Rod Guide	2				
31	7613	Door Actuator	2				

**NOTE:** Two F009 Fasteners are reused from the Rear Gas Spring Assembly. Refer to **REAR BODY ASSEMBLY (GHS MODELS)**, Page 10.

**NOTE:** Refer to **ELECTRICAL CONNECTORS**, Page 60 for identification of all Electrical Wiring Service Parts.



# NO CATCH DEFLECTOR KIT (7.0 BUSHEL & 9.5 BUSHEL)

ITEM NO.	PART NO.	DESCRIPTION	NO. REQ'D	ITEM NO.	PART NO.	DESCRIPTION	NO. REQ'D
----------	----------	-------------	-----------	----------	----------	-------------	-----------

**Kit 7500 (7.0 Bushel) No Catch Deflector Option / Kit**  
Includes Items # 1-5, fasteners listed and instructions.

**Kit 8500 (9.5 Bushel) No Catch Deflector Option / Kit**  
Includes Items # 1-5, fasteners listed and instructions.

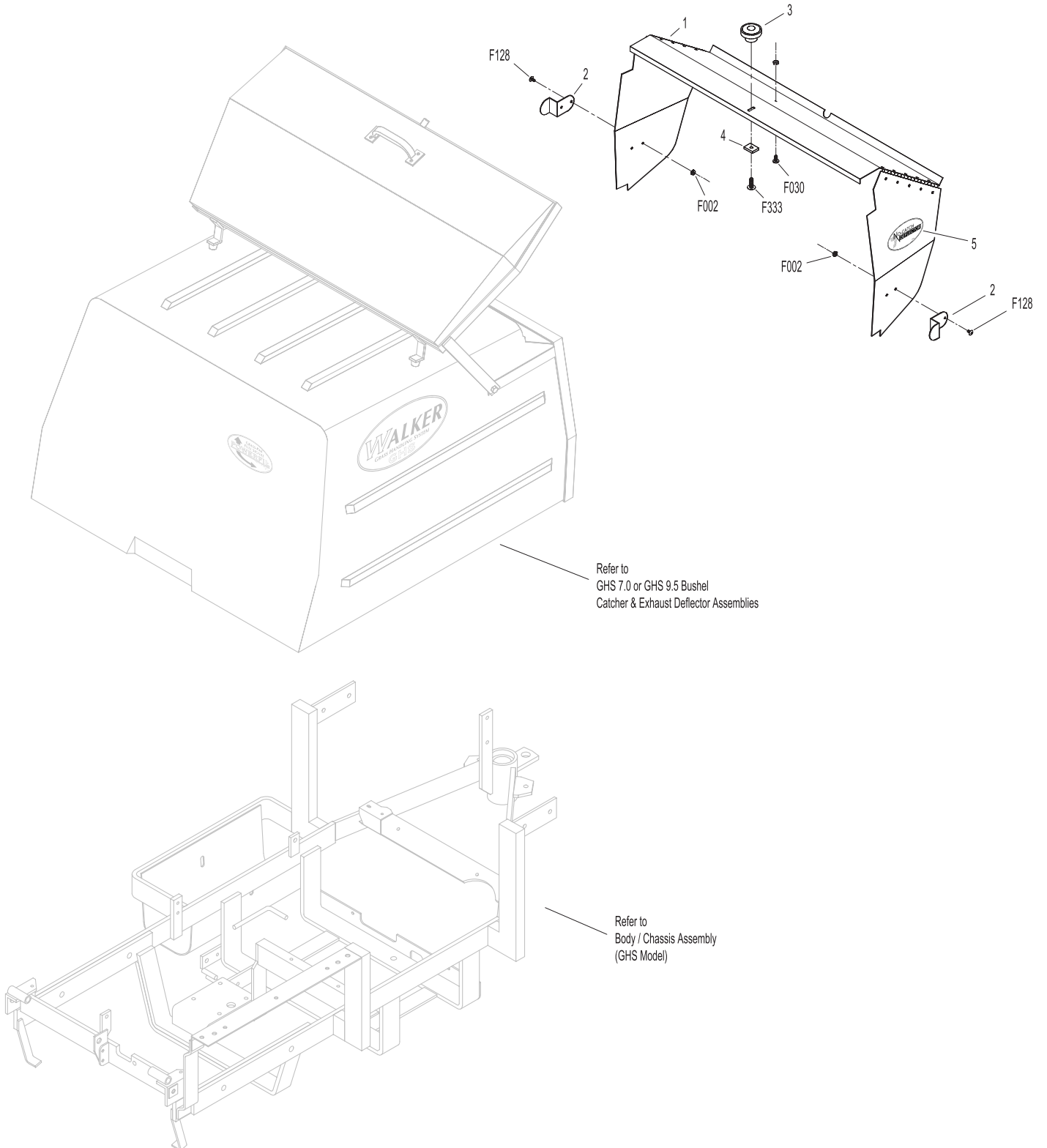
Both kits may be ordered as a dealer-installed option. Contact your Walker dealer.

**Fasteners**

F002	10-24 Keps Nut	4
F030	1/4-20 x 1/2 PPH Bolt	1
F128	10-24 x 3/8 PTHMS	4
F333	1/4-20 x 3/4 PTHMS	1

1	7500	No-Catch Deflector Assembly (7.0)	1
	8500	No-Catch Deflector Assembly (9.5)	1
2	8500-5	Side Bracket	2
3	8787-2	Deflector Knob	1
4	8500-6	Spacer Lug	1
5	8500-8	Decal, No Catch Deflector	1

# NO CATCH DEFLECTOR KIT (7.0 BUSHEL & 9.5 BUSHEL)



Effective Date 01-31-03

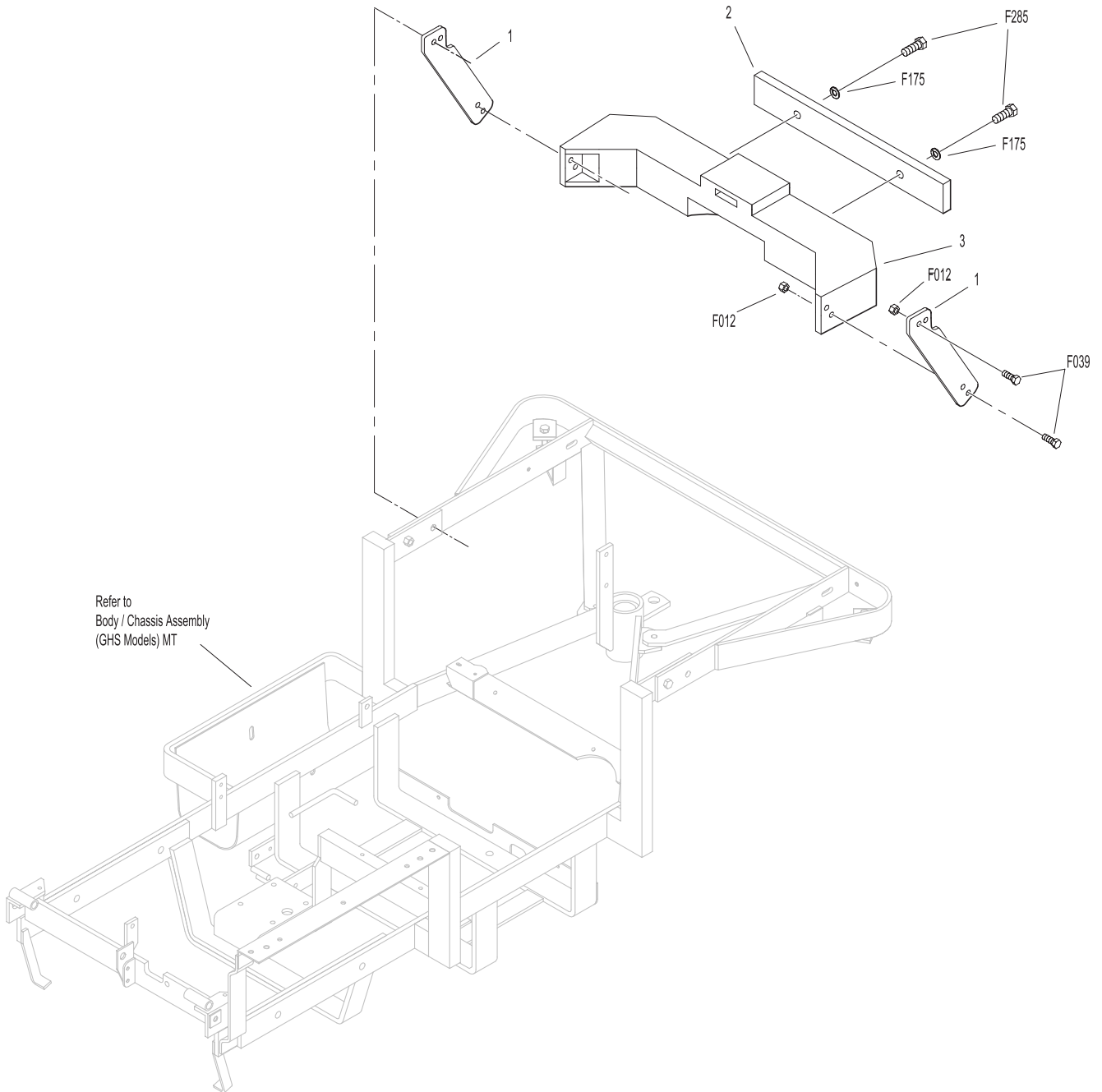
Use only genuine Walker® replacement parts.

# TAIL WEIGHT KIT

ITEM NO.	PART NO.	DESCRIPTION	NO. REQ'D	ITEM NO.	PART NO.	DESCRIPTION	NO. REQ'D
<b>Kit 7647 Tail Weight Option / Kit</b> Includes Items # 2, 3, F012, F039, and instructions. May be ordered as a dealer-installed option. Contact your Walker dealer.				<b>Fasteners</b>			
1	7647-9	Tail Weight Strap	2	F012		3/8-16 Keps Nut	4
2	7647-5	Tail Weight Plate, 10-lb	*	F039		3/8-16 x 1-1/4 Hex Bolt	4
3	7647	Tractor Tail Weight	1	F175		1/2 Split Lock Washer	2**
				F285		1/2-13 x 1-1/2 Hex Bolt	2**
				* Optional			
				** Use with optional 10-lb plate.			



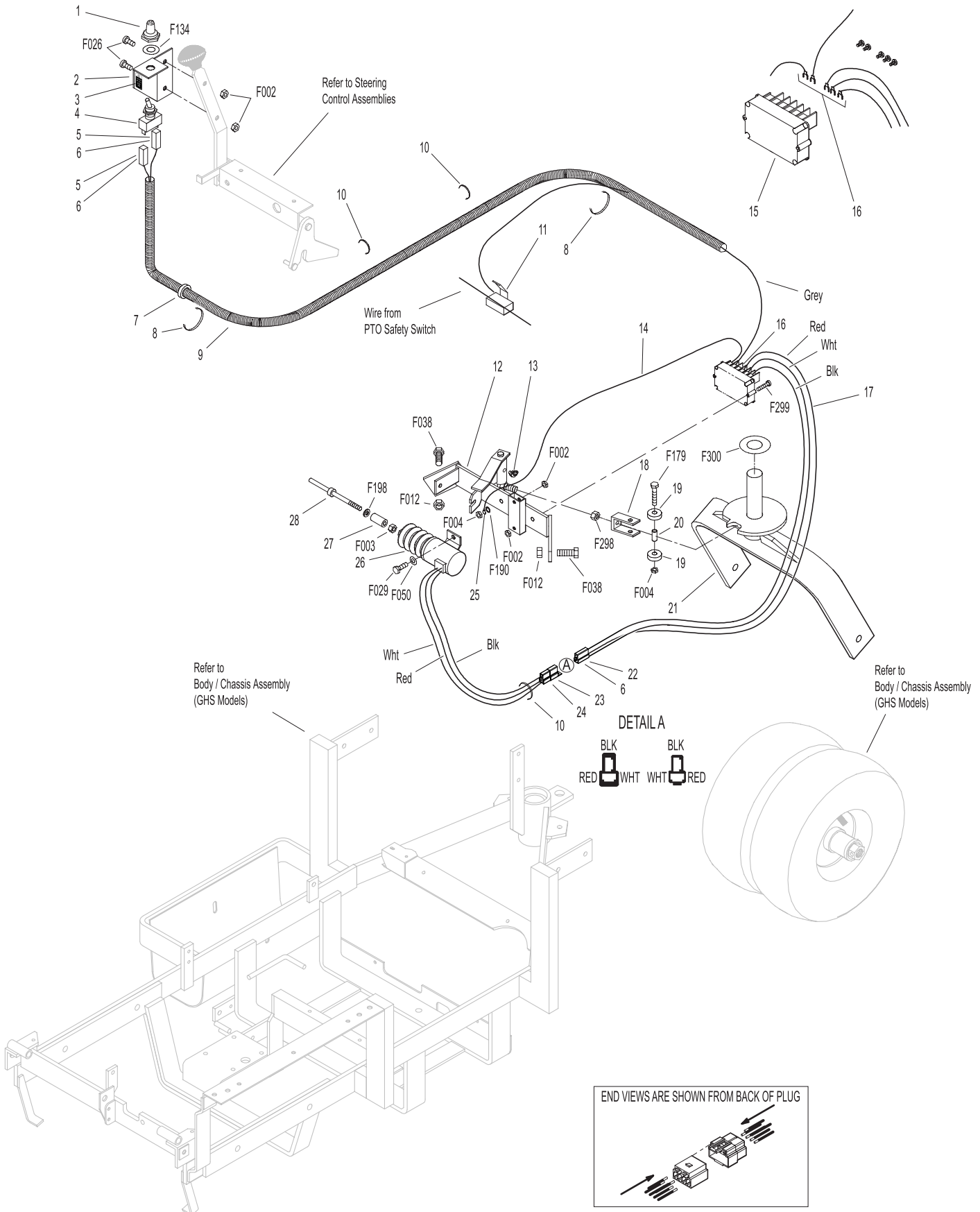
# TAIL WEIGHT KIT



# TAIL WHEEL LOCK KIT

ITEM NO.	PART NO.	DESCRIPTION	NO. REQ'D	ITEM NO.	PART NO.	DESCRIPTION	NO. REQ'D
<b>Kit 8540 Tail Wheel Lock Option / Kit</b> Includes Items # 1-32, fasteners listed & instructions. May be ordered as a dealer-installed option. Contact your Walker dealer.				<b>Fasteners</b>			
1	5995-2	Switch Boot	1	F002		10-24 Keps Nut	4
2	8547	Switch Mount	1	F003		1/4-28 Hex Nut	1
3	8555	Decal, Tail Lock Switch	1	F004		1/4-20 Keps Nut	3
4	5995	Toggle Switch (Off-On)	1	F012		3/8-16 Keps Nut	2
5	7942-4	Single Connector, Male	2*	F026		10-24 x 1/2 PPHMS	2
6	5940-4	16-14 GA Spg. Loaded Term., Female	5*	F029		1/4-20 x 1/2 Hex Bolt	2
7	5977-2	Grommet, Cut (1/8 x 3/8)	1	F038		3/8-16 x 1 Hex Bolt	2
8	5975-3	Cable Tie (50# x 7")	4	F050		1/4 SAE Washer	2
9	8550	Wire Harness	1	F134		AN960816L Washer	1
10	5975-1	Cable Tie (18# x 3-3/4")	3	F179		1/4-20 x 1 Hex Bolt	2
11	8553	Splice Tap (18-14 GA)	1	F190		#10 Internal Star Lock Washer	1
12	8543	Solenoid Mount	1	F198		.250 x .625 x .040 Washer, SS	1
13	5830-3	Grease Fitting (45 Degree)	1	F298		3/8-24 Jam Nut	1
14	8551	Ground Wire	1	F299		10-24 x 1 PPHMS	2
15	8546	Solenoid, Control Module	1	F300		1.015 x 1.500 x .031 Washer	1
16	5996	1/4 16-14 GA QKS Term., Female	5*	F350		1/4-20 LP Nylock	1
17	8552	Connector Plug & Wire Assy	1	* Service Part Only			
18	8544	Clevis, Wheel Lockout	1	<b>NOTE:</b> Refer to <b>ELECTRICAL CONNECTORS</b> , Page 60 for identification of all Electrical Wiring Service Parts.			
19	5555-1	Pivot Bearing	2*				
	8545-1	Pivot Bearing Assembly (Includes Items # 15, 16, F179, F350)					
20	8544-1	Bearing Spacer, Lockout	1*				
21	8542	Tail Wheel Fork, Locking	1				
22	8944	3 Way Locking Connector, Male	1*				
23	8944-1	3 Way Locking Connector, Female	1*				
24	5940-5	16-14 GA Spg. Loaded Term., Male	1*				
25	5996-13	16-14 GA Ring Term., #10	1*				
26	7929	Actuating Solenoid	1				
27	8549	Sleeve, Delrin	1				
28	8541	Plunger Rod	1				
	8554	Solenoid Mount Assembly (Includes Items # 7, 8, 11-20, 22-27, F002, F003, F004, F029, F050, F179, F190, F198, F298 & F299)	*				

# TAIL WHEEL LOCK KIT



Effective Date 01-31-03

Use only genuine Walker® replacement parts.

# WIDE TAIL WHEEL / ALL-TERRAIN TIRE KIT & TIRE CHAIN SET

ITEM NO.	PART NO.	DESCRIPTION	NO. REQ'D
----------	----------	-------------	-----------

**Kit 8049 Wide Tail Wheel Option / Kit**  
Includes Items # 1, 2, and instructions. May be ordered as a dealer-installed option. Contact your Walker dealer.

1	8037-1	Seal, Tail Wheel	2
2	8045	Wide Tail Wheel & Tire Assembly (13 x 8.00-6)	1
	8045-1	Tire Only (13 x 8.00-6)	*
	8047	Wheel & Hub Only (6 x 7)	*

**Kit 8072 All-Terrain Tire Option / Kit**  
Includes Items # 3-5, and instructions. May be ordered as a dealer-installed option. Contact your Walker dealer.

3	8071	All-Terrain Wheel & Tire, LH (18 x 11.00-10)	1
4	8070-4	Wheel Spacer Plate (1/2)	2
5	8070	All-Terrain Wheel & Tire, RH (18 x 11.00-10)	1
	8070-1	AT Tire Only (18 x 11.00-10)	*
	8070-2	AT Wheel Only (10 x 8.5)	*
	8075-2	AT/LP Tire Tube	*

ITEM NO.	PART NO.	DESCRIPTION	NO. REQ'D
----------	----------	-------------	-----------

**Kit 8075 Low Profile Tire Option / Kit**  
Includes Item # 6, and instructions. May be ordered as a factory-installed option, or as a kit for dealer installation. Contact your Walker dealer.

6	8075	Low Profile Tire Assembly (18 x 10.5-10) (Includes Item # 4)	2
	8075-1	Tire Only (18 x 10.5-10)	*
	8070-2	Wheel Only	*
	8075-2	AT/LP Tire Tube	*

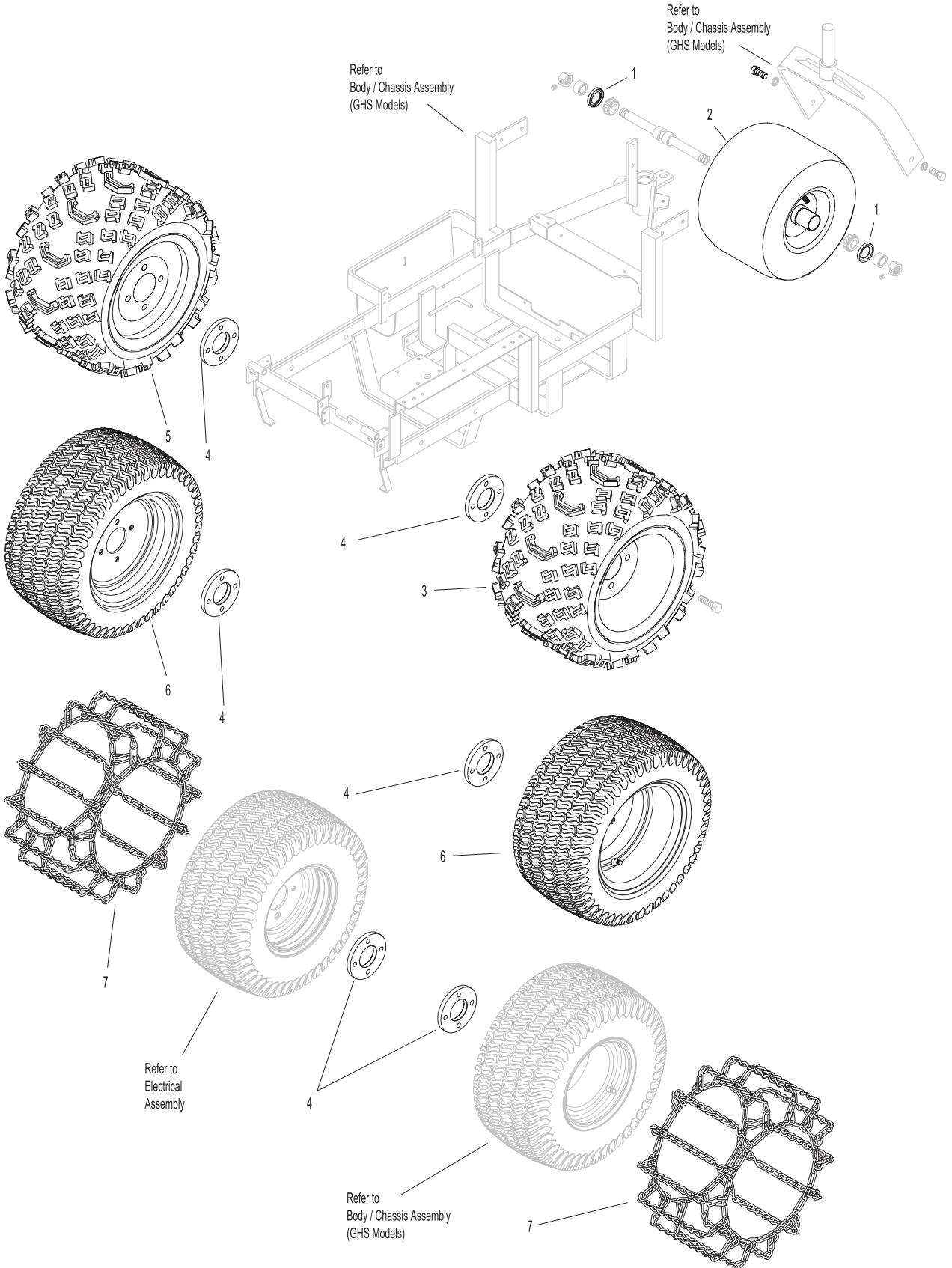
**Optional Tire Chain Set**

Includes Items # 4 and 6. Tire Chain Sets are not for use on All-Terrain or Low Profile Tires. Use only with tires listed at Item # 6. Refer also to **BODY / CHASSIS ASSEMBLY (GHS MODELS) MT**, Page 4.

7	5675-3	Tire Chain Set (18 x 9.50-8) (For use with Wide Wheel and Tire Assy)	1
---	--------	--	---

\* Service Part Only

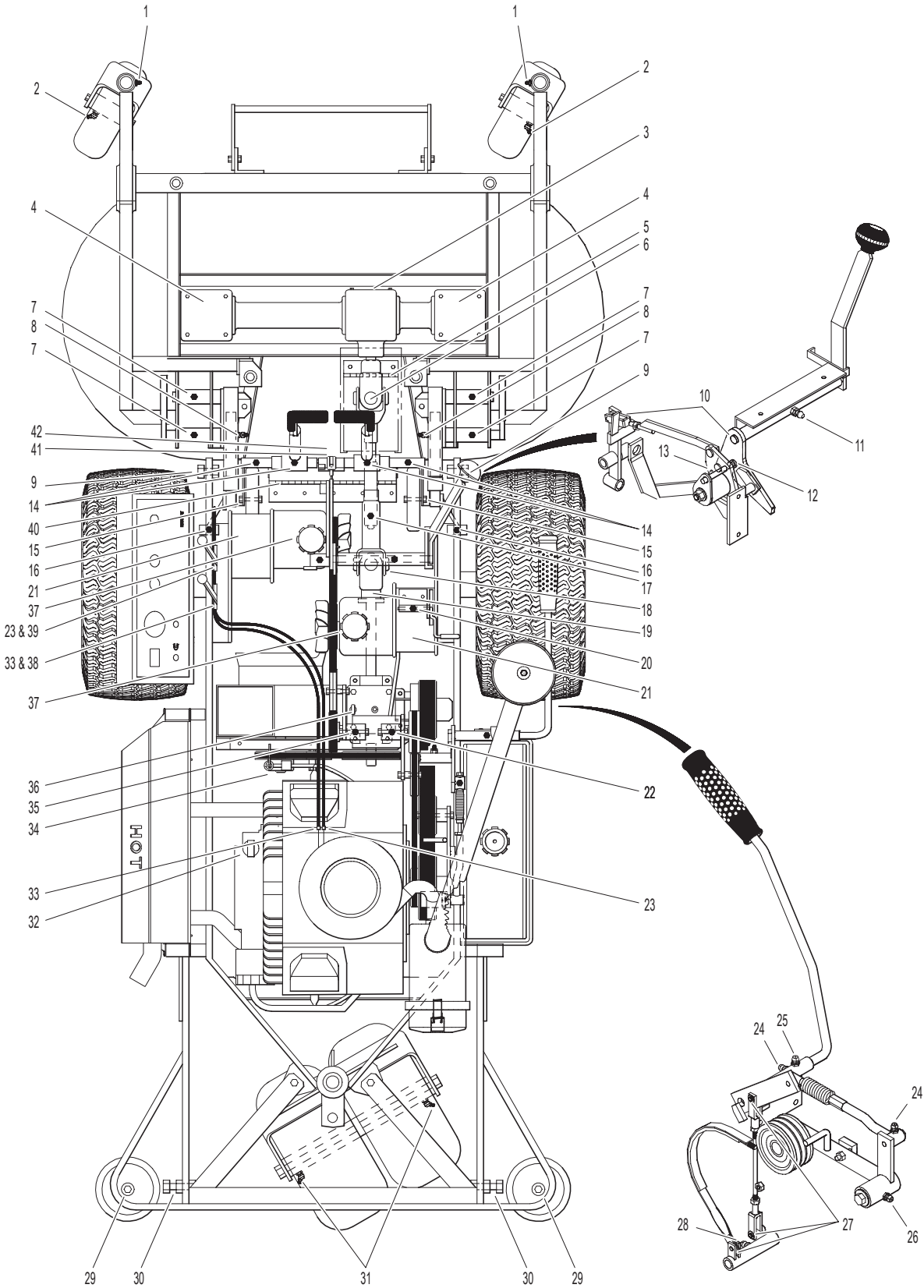
# WIDE TAIL WHEEL / ALL-TERRAIN TIRE KIT & TIRE CHAIN SET



# LUBRICATION POINTS

ITEM NO.	LOCATION	LUBRICATION TYPE	NO. PLACES	ITEM NO.	LOCATION	LUBRICATION TYPE	NO. PLACES
<b>Lubrication Points</b>				28	Brake Actuator Pivot	Grease	1
1	Deck Caster Wheel Fork Pivot	Grease	2	29	Anti-Scruff Roller Wheel	Oil	2
2	Deck Caster Wheel Bearing	Grease	2	30	Catcher Hinge Point	Oil	2
3	Tee Gearbox, Deck	Oil*	1	31	Rear Wheel Bearings	Grease	2
4	Blade Drive Gearbox	Oil*	2	32	Engine Oil	Oil***	1
5	PTO Shaft Guard Hinge	Oil	1	33	Choke Control Cable Ends	Oil	2
6	Universal Joint Shaft Assembly	Grease**	1	34	Belt Tightener Pivot, Blower Drive (GHS Model Only)	Grease	1
7	Pivot Assembly, Tilt-Up Deck	Grease	4	35	Belt Tightener Pivot, Ground Drive	Grease	1
8	Deck Support Arm Socket	Grease	2	36	PTO Gearbox Dipstick	Oil***	1
9	Body Hinge Point	Oil	2	37	Hydrostatic Drive	Oil***	2
10	FSC Actuator Rod Pivot Pins	Oil	2	38	Choke Control Pivot	Oil	1
11	FSC Lever Pivot	Grease	1	39	Throttle Control Pivot	Oil	1
12	FSC Lever Fork (Grease Slide Area)	Grease	1	40	Discharge Chute Hinge	Oil	1
13	(FSC) Friction Body Pivot	Grease	1	41	Tilt-Up Latch Assembly	Oil	1
14	Steering Lever Pivot	Grease	4	42	Steering Lever Support	Oil	1
15	Deck Roller Wheel	Oil	2				
16	Deck Support Arm Pivot	Grease	2	*	Gearboxes are permanently lubricated and sealed requiring no scheduled lubrication. Oil level should be checked only when an oil leak is noted.		
17	Deck-to-PTO Coupling (Grease Slide Area)	Grease	1	**	Grease every eight (8) hours.		
18	Universal Joint Tube Assembly	Grease**	1	***	Refer to MT <b>Owner's Manual</b> for procedure for checking and changing oil in Engine Crankcase, Hydrostatic Transmissions and Gear Axles.		
19	Universal Joint Quick Connect Spline (Grease Slide Area)	Grease	1	<b>NOTE:</b>	See Model MT <b>Owner's Manual</b> (P/N 8000-6) for proper lubrication intervals.		
20	Parking Brake Lever	Grease	1	<b>NOTE:</b>	DGHS42 Tilt-Up Deck is shown for reference. For other Deck Lubrication Points, Refer to Deck and Carrier Frame <b>Illustrated Parts Manual</b> .		
21	Gear Axle	Oil***	2				
22	Belt Tightener Pivot, Jackshaft Drive	Grease	1				
23	Throttle Control Cable Ends	Oil	2				
24	Clutch Actuator Push Rod	Grease	2				
25	PTO Clutch Lever Pivot	Grease	1				
26	Belt Tightener Pivot, PTO Clutch	Grease	1				
27	Brake Actuator Rod and Brake Band Pivot Pins (Clevis)	Oil	3				

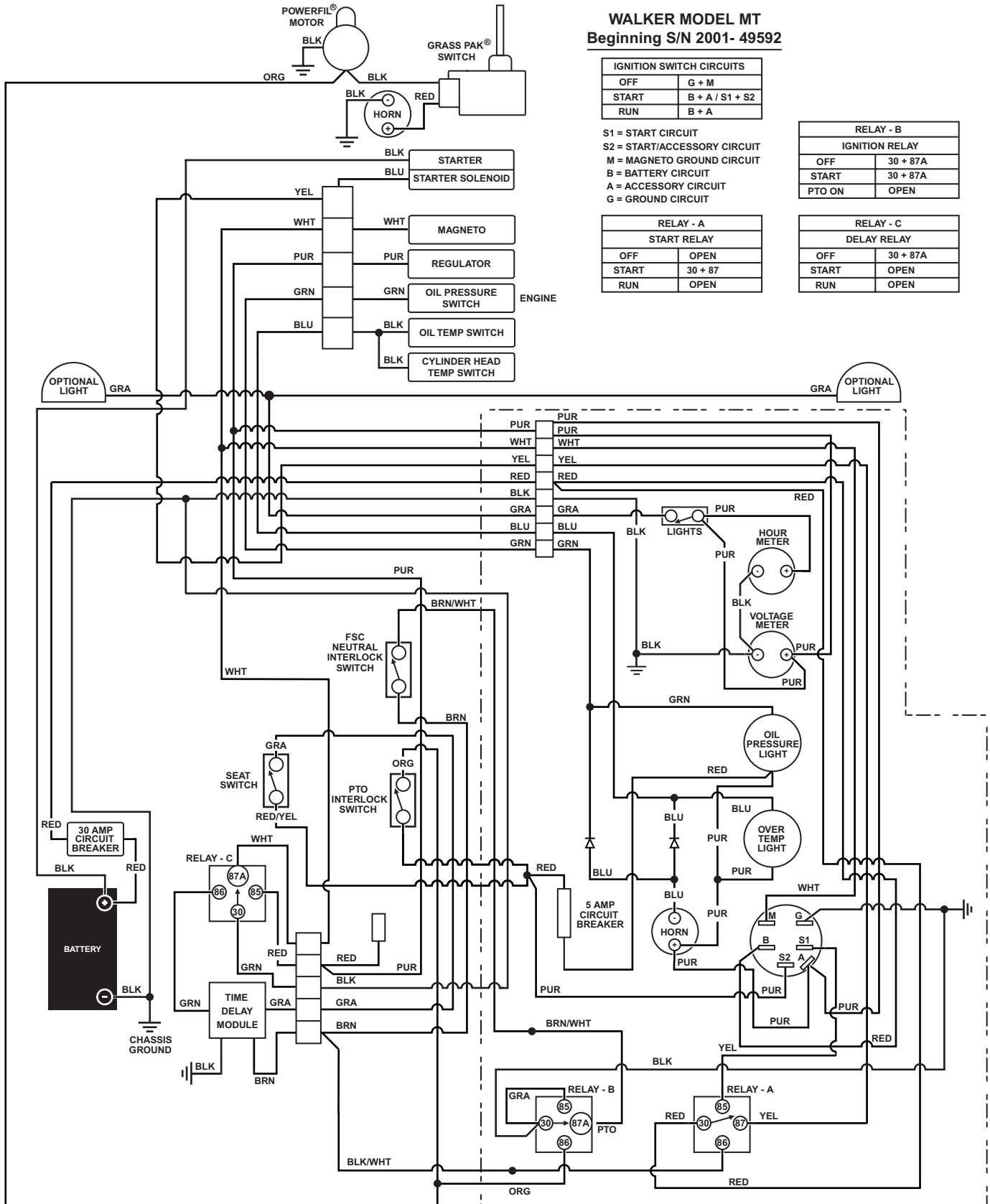
# LUBRICATION POINTS



Effective Date 01-31-03

Use only genuine Walker® replacement parts.

# WIRING SCHEMATIC (MT)



## WALKER MODEL MT Beginning S/N 2001- 49592

IGNITION SWITCH CIRCUITS	
OFF	G + M
START	B + A / S1 + S2
RUN	B + A

S1 = START CIRCUIT  
 S2 = START/ACCESSORY CIRCUIT  
 M = MAGNETO GROUND CIRCUIT  
 B = BATTERY CIRCUIT  
 A = ACCESSORY CIRCUIT  
 G = GROUND CIRCUIT

RELAY - A START RELAY	
OFF	OPEN
START	30 + 87
RUN	OPEN

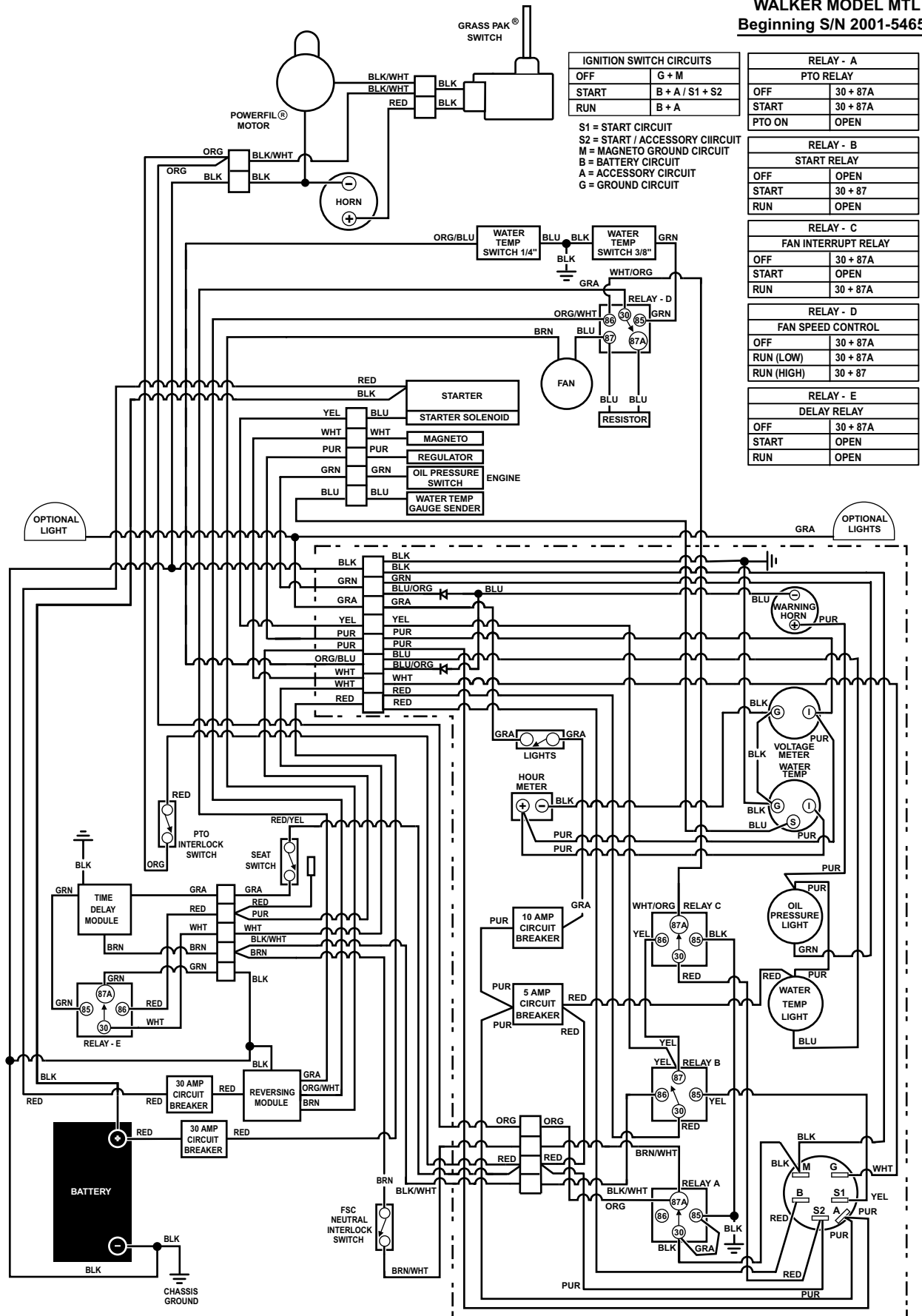
RELAY - B IGNITION RELAY	
OFF	30 + 87A
START	30 + 87A
PTO ON	OPEN

RELAY - C DELAY RELAY	
OFF	30 + 87A
START	OPEN
RUN	OPEN



# WIRING SCHEMATIC (MTL)

WALKER MODEL MTL  
Beginning S/N 2001-54652



Effective Date 01-31-03

Use only genuine Walker® replacement parts.

# WIRING SCHEMATIC (MTEFI)

## WALKER MODEL MT-EFI Beginning S/N 2001-49448

IGNITION SWITCH CIRCUITS	
OFF	G + M
START	B + A / S1 + S2
RUN	B + A

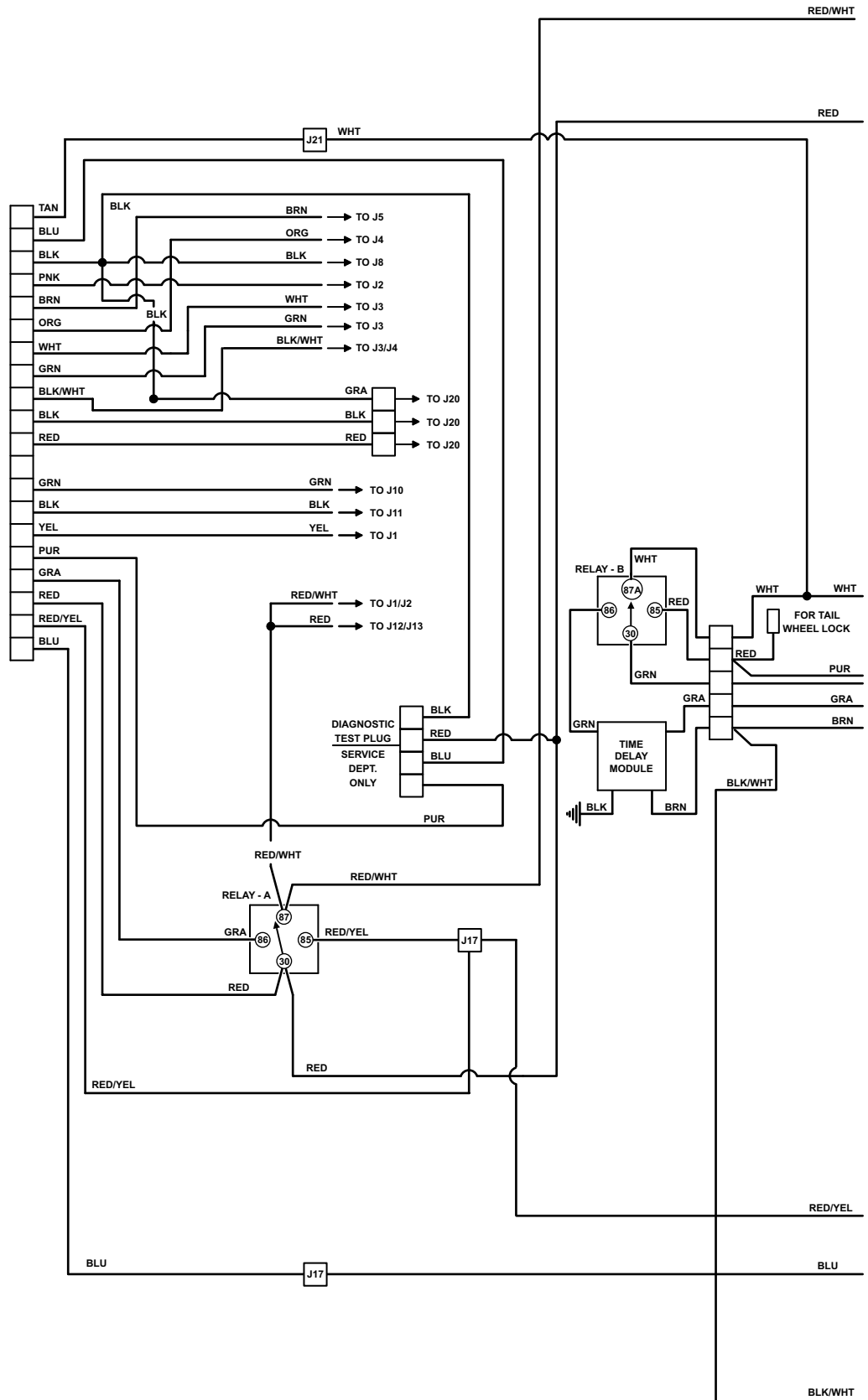
S1 = START CIRCUIT  
 S2 = START / ACCESSORY CIRCUIT  
 M = MAGNETO GROUND CIRCUIT  
 B = BATTERY CIRCUIT  
 A = ACCESSORY CIRCUIT  
 G = GROUND CIRCUIT  
 J1 = #1 FUEL INJECTOR  
 J2 = #2 FUEL INJECTOR  
 J3 = THROTTLE POSITION SENSOR  
 J4 = OIL TEMP SENSOR  
 J5 = OXYGEN SENSOR  
 J6 = REGULATOR / RECTIFIER  
 J8 = ENGINE GROUND  
 J10 = #1 IGNITION COIL  
 J11 = #2 IGNITION COIL  
 J12 = #1 IGNITION COIL  
 J13 = #2 IGNITION COIL  
 J14 = IGNITION COIL GROUND  
 J20 = SPEED PICK-UP SENSOR

RELAY - A	
IGNITION / FUEL RELAY	
OFF	OPEN
START	OPEN
PTO ON	30 + 87

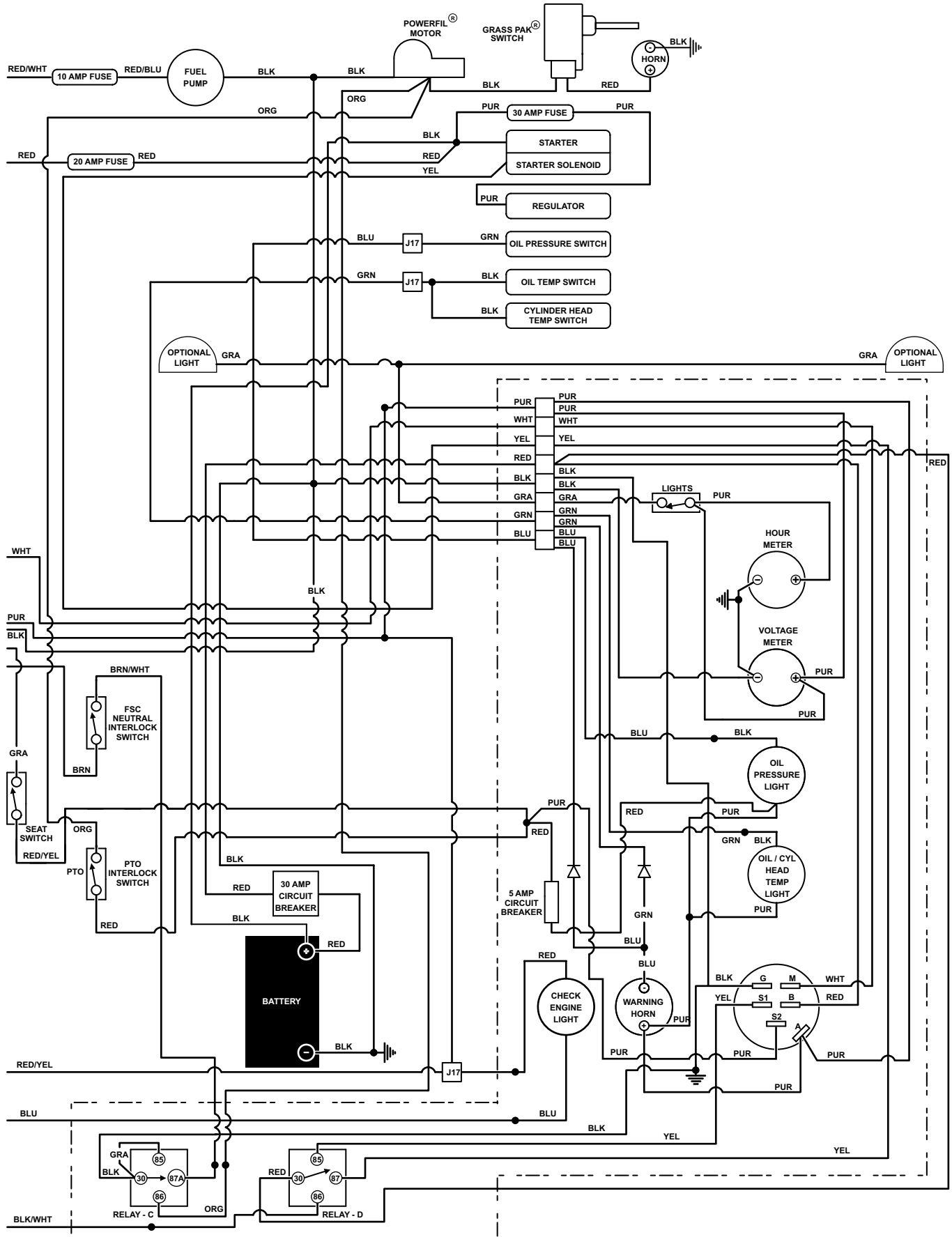
RELAY - B	
DELAY RELAY	
OFF	30 + 87A
START	OPEN
RUN	OPEN

RELAY - C	
START / TIME DELAY RELAY	
OFF	30 + 87A
START	30 + 87A
RUN	OPEN

RELAY - D	
START / SOLENOID RELAY	
OFF	OPEN
RUN (LOW)	OPEN
RUN (HIGH)	30 + 87



# WIRING SCHEMATIC (MTEFI)



Effective Date 01-31-03

Use only genuine **Walker**<sup>®</sup> replacement parts.

# OPERATOR'S NOTES

---

# OPERATOR'S NOTES

---

# OPERATOR'S NOTES

---

# LIMITED WARRANTY FOR WALKER COMMERCIAL RIDER MOWER

## 1. WHAT THIS WARRANTY COVERS, AND FOR HOW LONG:

Walker Manufacturing company will, at its option, repair or replace, without charge, any part covered by this warranty which is found to be defective in material and/or workmanship within one (1) year\* after date of sale to the original retail purchaser unless the product is used for rental purposes, in which case this warranty is limited to ninety (90) days. At Walker's request, customer will make the defective part available for inspection by Walker and/or return the defective part to Walker, transportation charges prepaid. All parts and components of the Walker Mower are covered by this warranty **except** the following components which are warranted separately by their respective manufacturers:

Kohler Engine  
Kubota Engine  
Kawasaki Engine  
Eaton Hydraulic Transmission  
Peerless Gearboxes  
Battery  
Tires

The available warranties covering these items are furnished with each mower. Walker does not assume any warranty obligation, liability or modification for these items, which are covered exclusively by the stated warranty of the respective manufacturers noted above.

\* An extended three (3) year warranty is offered on the Walker P/N 6200-8 Gear Axle Assembly.

## 2. WHAT THIS WARRANTY DOES NOT COVER:

- A. This warranty does not cover defects caused by depreciation or damage caused by normal wear, accidents, improper maintenance, improper use or abuse of the product, alterations, or failure to follow the instructions contained in the Owner's Manual for operation and maintenance.
- B. The customer shall pay any charges for making service calls and/or for transporting the mower to and from the place where the inspection and/or warranty work is performed.

## 3. HOW TO OBTAIN SERVICE UNDER THIS WARRANTY:

Warranty service can be arranged by contacting the dealer where you purchased the mower or by contacting Walker Manufacturing Company, 5925 East Harmony Road, Ft. Collins, CO 80528. Proof of the date of purchase may be required to verify warranty coverage.

## 4. WARRANTY LIMITATION:

- A. **THERE IS NO OTHER EXPRESS WARRANTY. ANY WARRANTY THAT MAY BE IMPLIED FROM THIS PURCHASE INCLUDING MERCHANTABILITY AND FITNESS FOR A PARTICULAR PURPOSE IS HEREBY LIMITED TO THE DURATION OF THIS WARRANTY AND TO THE EXTENT PERMITTED BY LAW ANY AND ALL IMPLIED WARRANTIES ARE EXCLUDED.** Some states do not allow limitations on how long an implied warranty lasts, so the above limitations may not apply to you.
- B. **WALKER WILL NOT BE LIABLE FOR ANY INCIDENTAL, CONSEQUENTIAL, OR SPECIAL DAMAGES AND/OR EXPENSES IN CONNECTION WITH THE PURCHASE OR USE OF THE MOWER.** Some states do not allow the exclusion or limitation of incidental or consequential damages, so the above limitation(s) or exclusion(s) may not apply to you.
- C. Only the warranty expressed in this limited warranty shall apply and no dealer, distributor, or individual is authorized to amend, modify, or extend this warranty in any way. Accordingly, additional statements such as dealer advertising or presentations, whether oral or written, do not constitute warranties by Walker, and should not be relied upon.
- D. This warranty gives you specific legal rights, and you may also have other rights which vary from state to state.

# WALKER MOWERS™

WALKER MFG. CO. • 5925 E. HARMONY ROAD, FORT COLLINS, CO 80528 • (970) 221-5614  
FORM NO. 013103 PRINTED IN USA ©2003 WALKER MFG. CO  
[www.walkermowers.com](http://www.walkermowers.com)